

NORCOLD

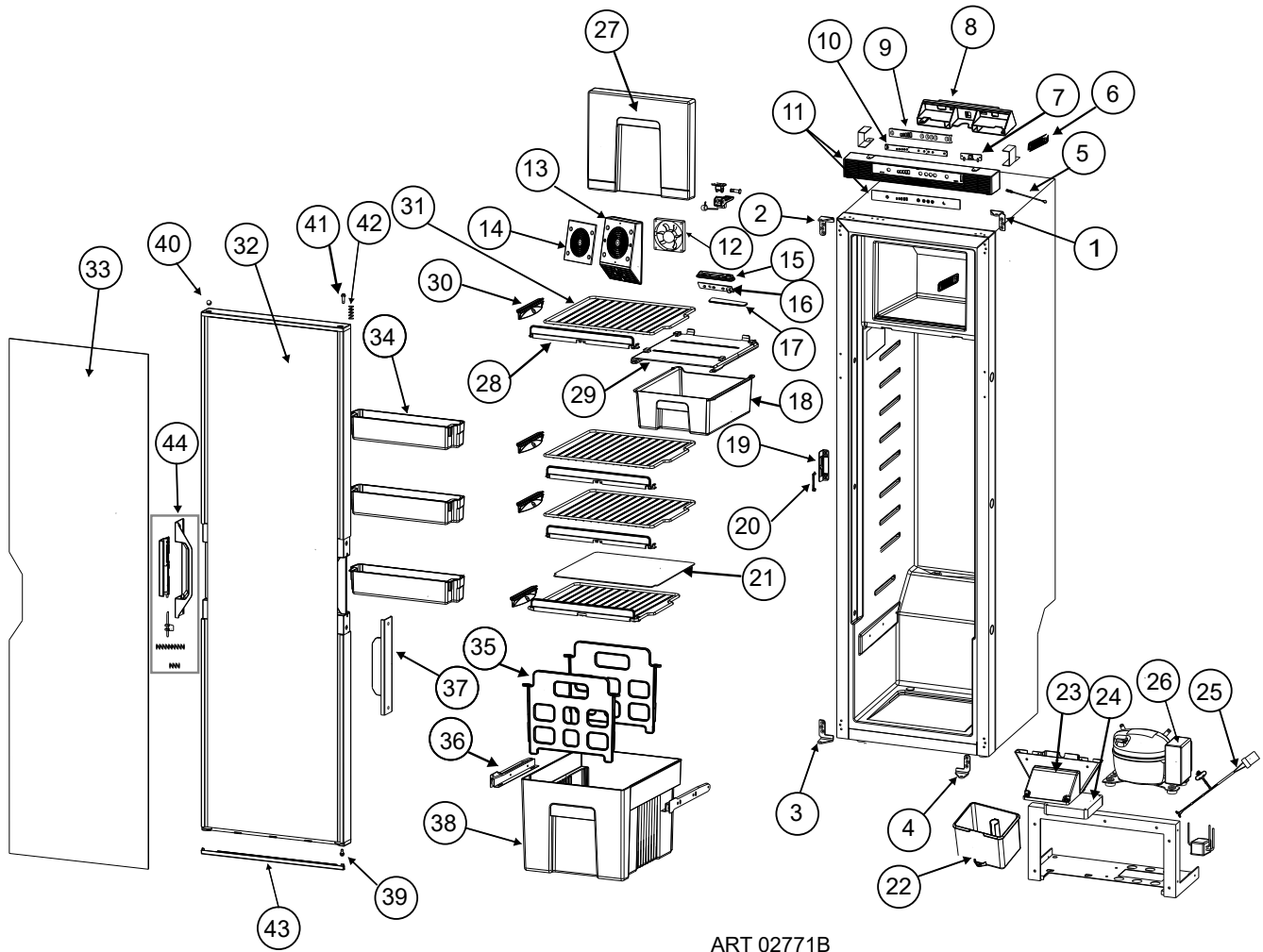


PARTS LIST

N2152

**PART NO. 641000
REVISION E
NORCOLD 07/05/2024**

CABINET AREA - N2152



ART 02771B

CABINET AREA - N2152

NO.	PART #	DESCRIPTION	N2152
1	692751	RIGHT UPPER HINGE	X
2		LEFT UPPER HINGE	X
3		LEFT BOTTOM HINGE	X
4		RIGHT BOTTOM HINGE	X
5	692776	THERMISTOR	X
6		THERMISTOR COVER	X
7	692801	LED PANEL	X
8	692802	TECHNICAL PANEL	X
9	692803	CIRCUIT BOARD LIGHT PANEL	X
10		CONTROL PANEL	X
11	693065	CONTROL HOUSING	X
		STICKER	X
12	692777	FAN	X
13	691867	FAN COVER	X
14		FAN NET	X
15	692779	LIGHT HOUSING	X
16		LED LIGHT	X
17		LIGHT COVER	X
18	692808	BREAKFAST TRAY	X
19	692758	DOOR LATCH PLATE	X
20		WINTER LOCK SUPPORT	X
21	692362	PLATE	X
22	692810	DRIP CUP	X
23	691887	CONDENSER FAN COVER	X
24	692785	CONDENSER FAN	X
25	691873	POWER CORD	X
26	640178	CONTROL MODULE	X
27	691877	FREEZER DOOR	X
28	692789	FOOD RETAINER	X
29	691865	COVER SLIDE OUT BOX	X
30	692791	CLIP SHELF LARGE	X
31	692816	SHELF	X
32	692817	FOAMING DOOR AND DECO PANEL	X
33	641300	DECO PANEL	X
34	692794	DOOR BIN	X
35	691878	DRAWER DIVIDER	X
36	691874	VEGETABLE BIN SLIDE GUIDE	X
37	692764	DOOR COVER (SN E006#ZDW00530000 AND BELOW)	X
	692875	DOOR COVER WITH CHAMFER (SN E006#ZDW00530001 AND ABOVE)	
38	691860	DRAWER BIN	X
39	691456	UPPER HINGE SHAFT	X
40		SILICONE BLANKING CAP	X
41		UPPER HINGE SHAFT	X
42		UPPER HINGE SHAFT SPRING	X
43	692768	PANEL RETAINER (SN E006#ZDW00530000 AND BELOW)	X
	692885	PANEL RETAINER (SN E006#ZDW00530001 AND ABOVE)	
44	692770	HANDLE ASSEMBLY (SN E006#ZDW00530000 AND BELOW)	X
	692886	HANDLE ASSEMBLY (SN E006#ZDW00530001 AND ABOVE)	
NS	62362208	MOUNTING SCREW GROMMET CAP, 2 PC, WHITE	X
NS	691590	MOUNTING SCREWS & CAPS, 4 PC EACH, WHITE	X
NS	691869	MOUNTING SCREWS & CAPS, 8 PC EACH, WHITE	X

NS - NOT SHOWN

NOT AVAILABLE