
NORCOLD[®]

INSTALLATION AND OWNER'S MANUAL

DC740 & DC751, 12/24 VOLT
DC REFRIGERATORS

Disclaimer

Thetford recommends and strongly advises users to engage the services of a qualified and licensed professional for the installation, maintenance, repair, or any other servicing needs associated with the product. The user understands and assumes full responsibility for hiring a professional with the requisite skills, knowledge, and qualifications to service your product. This includes, but is not limited to, tasks such as installation, repairs, modifications, or any other service required. Thetford disclaims any and all liability for any damages, losses, injuries, or other adverse consequences that may result from the user's failure to hire a qualified professional for the servicing of your product. The user acknowledges the importance of ensuring that the hired professional adheres to industry standards, guidelines, and local regulations applicable to the servicing of your product. Thetford is not responsible for the actions, omissions, or negligence of the hired professional. The user agrees to indemnify and hold harmless Thetford from any claims, liabilities, damages, costs, or expenses, including legal fees, arising from the user's decision to hire, or not hire, a professional for the servicing of the product. By using your product, the user affirms that they have read, understood, and voluntarily agreed to this disclaimer.

Special Requirements for Marine Installations:

If the positive (+12/24 volts) input is grounded (by cuts in the wire insulation, incorrectly insulated components, etc.) a voltage potential can be caused throughout the boat, which causes corrosion to form on any metal parts that are exposed to water. This condition can be avoided by wiring the boat so that the DC grounds are common and the wiring is protected per NNMA CERTIFICATION HANDBOOK (1987). Inspect all wiring to make sure that the insulation is not damaged and use plastic wire clamps. One reference for more information on corrosion is:

Boat and Yacht Corrosion Control by Yacht Corrosion Consultants, Inc.
2368 Eastman Ave. #6
Ventura, CA 93003

Contents

Norcold DC Models - One Year Limited Warranty.....	1
Norcold DC Models - Warranty Information.....	1
Norcold Products Limited Warranty.....	2
Safety Awareness.....	4
Safety Instructions.....	4
About Your Refrigerator.....	5
Refrigerator Care Checklist.....	6
Trouble Shooting.....	8
Refrigerator Maintenance Checklist.....	9
Refrigerator Care Checklist.....	9
Replacement Parts.....	10
Assemble The Enclosure.....	11
Ventilation Requirements.....	11
Installation Options.....	12
Connect The Electrical Components.....	13

Norcold DC Models - One Year Limited Warranty

Norcold LLC warrants for a period of one (1) year from the date of purchase that Norcold LLC will repair or replace its' DC refrigerators.

Limitations of Warranty

1. This warranty is the only warranty for Norcold DC refrigerators. This warranty does not cover glassware, electric light bulbs, or replaceable fuses.
2. This warranty does not apply to refrigerators or component parts that have been subjected to misuse, improper installation, abnormal service, transit damage, recharging of cooling unit system, accident, fire, improper repair, tampering or abuse.
3. The duration of any implied warranty is limited to one (1) year.
4. Some states do not allow limitations on how long an implied warranty lasts. Therefore, the above limitation may not apply to you.

Limitations of Remedy

1. The responsibility of Norcold under this or any warranty is limited to the repair or replacement (at Norcold's option) of any defective refrigerator or component part.
- 2. In no event and under no circumstances shall Norcold be responsible for any other charge including, but not limited to, charges or claims for labor, lost business, lost time, lost profits, loss of use, or any sort of incidental or consequential damages, however denominated or described.**
3. Some states do not allow for the exclusion or limitation of incidental or consequential damages. Therefore, the above exclusion may not apply to you.

To obtain warranty service, contact the Norcold Customer Service Department by visiting our website at www.norcold.com.

Legal Rights

This warranty gives you specific legal rights. You may have other legal rights which vary from state to state.

Norcold DC Models - Warranty Information

Your refrigerator is made to provide the ultimate in cooling satisfaction and will serve you reliably in the years to come. Norcold refrigerator offer a standard limited one year warranty.

To activate your one year limited warranty, complete and mail the warranty registration supplied.

Write the model number and serial number below for future reference. These numbers are on the serial plate in the refrigerator. The serial plate is located in the fresh food compartment on the top left hand side. Use these numbers when receiving service or in any correspondence concerning your refrigerator.

Model number _____ Serial number _____

If a problem occurs with your refrigerator, contact any of the service centers throughout the United States and Canada. To find an authorized Norcold Service Center near you, contact the Norcold Customer Support Department at www.norcold.com.

Norcold is committed to providing products that are in harmony with the environment. Your Norcold refrigerator meets all environmental safety standards.

Norcold Products Limited Warranty

What is Covered

This limited warranty covers repair or replacement, at the sole option of Norcold LLC (hereinafter Norcold), of any part of your new Norcold Product (hereinafter Covered Products) in which a nonconformity in materials or workmanship appears during normal use, maintenance, or service within the limited warranty period, subject to the limitations and exclusions described below in "What This Limited Warranty Does Not Cover." REPAIR OR REPLACEMENT OF COVERED PRODUCTS BY NORCOLD IS THE EXCLUSIVE REMEDY UNDER THIS LIMITED WARRANTY. NORCOLD WILL NOT REPLACE THE RECREATIONAL VEHICLE NOR REPURCHASE THE RECREATIONAL VEHICLE FROM YOU. The repair or replacement of a Covered Product does not extend the life of the limited warranty except where state or provincial law otherwise provides for an extension during the time that the Covered Product is being repaired or replaced under this limited warranty.

Covered Products are limited to systems and components manufactured by Norcold that are used for personal, family, or domestic purposes. This limited warranty does not protect any Covered Products used in commercial applications of any type. This limited warranty excludes any parts or components added to the recreational vehicle by another party. In addition to this limited warranty, original component manufacturers may provide their own separate warranties. Purchasers should check each original component manufacturer warranty regarding its coverage. This limited warranty is valid only in the United States and Canada.

How Long The Limited Warranty Lasts

The original limited warranty is in effect for a period of **12 months** from the first date of sale of the Covered Product.

Who is Covered

This limited warranty covers the original owner of a Covered Product. The limited warranty may not be transferred to subsequent owners. THIS LIMITED WARRANTY IS NULL AND VOID IF THE VEHICLE HAS BEEN LEASED OR RENTED FOR COMPENSATION TO ANOTHER INDIVIDUAL OR ENTITY.

What is NOT Covered

The exclusive remedy under this limited warranty or under any implied warranty that arises under state or provincial law is repair or replacement of any Covered Product in which a non-conformity in materials or workmanship appears during normal use, maintenance, or service within the limited warranty period, subject to the following exclusions.

LIMITATION OF DAMAGES: Norcold shall not be liable for incidental, consequential, direct, indirect, or other damages (such as, but not limited to, lost wages, loss of use, diminution in value, lost profits, lost opportunities, alternative transportation, inconvenience, cost of lodging, or lost vehicle rental expenses) that result from breach of the written warranty or any implied warranty.

LIMITATION OF IMPLIED WARRANTIES: This limited warranty is in lieu of and in exclusion of any other warranties, express or implied, including any warranty of merchantability or fitness for a particular purpose. Any implied warranties that arise under applicable state or provincial law notwithstanding the foregoing, including any implied warranty of merchantability or fitness for a particular purpose, are limited in duration to the term of this limited warranty and are limited in scope of coverage to those portions of the chassis covered by this limited warranty.

Items Not Covered in This Limited Warranty

By way of example only, this limited warranty does not cover any of the following:

- Normal maintenance
- Normal wear parts
- Obsolete parts and/or Products
- When the vehicle is used for rental or other commercial purposes (Note: It shall be concluded that the vehicle has been used for commercial and/or business purposes if the owner or user files a tax form claiming any business or commercial tax benefit related to the vehicle, or if the vehicle is purchased, registered or titled in a business name)
- Additions or accessories not originally installed by Norcold and any problems resulting from such additions or accessories
- This warranty does not apply to products which have been subjected to misuse, negligence, accident, fire, improper repair, improper installation, alteration, failure to follow the usage or winterization instructions contained in the owner's manual, or any other unreasonable use
- The Product's identification number label product serial number or date of manufacture stamp has been effaced, altered, or removed
- Damage that arises outside of normal and proper use
- For any issue on a vehicle that has been substantially damaged, deemed a total loss by an insurance company or branded as salvage, whether or not reflected on the vehicle title
- Damage caused by, but not limited to, collision, fire, theft, vandalism, weather, freezing, flooding, acts of God, or other casualties
- Damage or defects with respect to Covered Products in a vehicle that is leased or rented to another party for compensation; or systems and components damaged as a result of corrosion, including, but not limited to, salt and/or acidic exposure
- Use of replacement parts that do not meet Norcold's specifications
- Door adjustments after 90-days

Timing

The alleged fault or defect must be notified to the company within the warranty period.

Third Party Representations

Norcold does not authorize any person to create for Norcold any other obligations or liability in connection with its Covered Products and Norcold is not responsible for any representation, promise, or warranty made by a dealer, component or vehicle manufacturer, or other person beyond what is expressly stated in this limited warranty.

How to Get Service

To obtain warranty service for your Norcold Covered Product, call toll-free 5 days a week 1-800-543-1219. Our customer service can help answer questions regarding our products and services and provide information about warranty coverage and maintenance issues.

How State or Provincial Law Applies

This limited warranty gives you specific legal rights, and you may also have other rights which vary from state to state or province to province. In addition, some states and/or provinces will not enforce one or more of the limitations in this document, so one or more of the limitations may not apply to you.

Safety Awareness

Read this manual carefully and understand the contents before you install the refrigerator.

Be aware of possible safety hazards when you see the safety alert symbol on the refrigerator and in this manual. A signal word follows the safety alert symbol and identifies the danger of the hazard. Carefully read the descriptions of these signal words to fully know their meanings. They are for your safety.



This signal word means a hazard, which if ignored, can cause serious personal injury, death, or extensive property damage.



This signal word means a hazard, which if ignored, can cause small personal injury or much property damage.

Safety Instructions



For installations which need an electric outlet that is energized by an external power source, the refrigerator must be electrically grounded as written in local codes or the National Electrical code, NFPA 70.

Incorrect installation, adjustment, alteration, or maintenance of this refrigerator can cause personal injury and/or property damage.

Obey the instructions in the “Ventilation Requirements” section of this manual.

Do not bypass or change the refrigerator’s electrical components or features.

Protect all wiring from physical damage, vibration, and excessive heat.

Do not spray liquids near electrical outlets, connections, or the refrigerator components, as many are electrically conductive and can cause a shock hazard, electrical shorts, and/or fires.

This appliance is intended to be used in households and similar applications such as recreational vehicles, boats, and semi trucks.

To avoid a hazard due to instability of the appliance, it must be fixed in accordance with the instructions.

A means for disconnection from the supply mains must be incorporated in the fixed wiring in accordance with the wiring rules.

It is necessary to allow disconnection of the appliance from the supply after installation. This disconnection may be achieved by having the plug accessible or by incorporating a switch in the fixed wiring in accordance with the wiring rules.

The storage of flammable materials behind or around the refrigerator creates a fire hazard. Do not use the area behind the refrigerator to store anything, especially flammable materials

Do not store any explosive substance in this refrigerator.

A circuit overload can result in an electrical fire if the wires and for fuses are not the correct size. Use only the wire and fuse sizes as written in this manual.

Incorrect installation, adjustment, change to, or maintenance of this refrigerator can cause personal injury and/or property damage. All service and maintenance work on this refrigerator must be done by a qualified service technician.

Do not bypass or change the refrigerator’s electrical components or features.

When you discard an appliance, remove all doors to prevent accidental entrapment and suffocation.



The rear of the refrigerator has sharp edges and corners. To prevent cuts or abrasions when working on the refrigerator, be careful and wear cut resistant gloves.

This appliance is not intended for use by persons (including children) with reduced physical, sensory or mental capabilities or lack of experience or knowledge, unless they have been given supervision or instruction concerning use of the appliance by a person responsible for their safety. Children should be supervised to ensure that they do not play with the appliance.

About Your Refrigerator

Usage

This refrigerator is made for use within a recreational vehicle, marine, or truck application. Do not expose the refrigerator to rain.

Storage Volume

This refrigerator is made to store fresh and frozen foods and for making ice.

DC740 Volume: 1.5 cubic feet

DC751 Volume: 2.4 cubic feet

Food Compartment

Start up the refrigerator and let it cool for four hours before loading with food. If the refrigerator does not start to cool down after roughly four hours, contact your dealer or an authorized Norcold Service Center.

For the best cooling performance:

- Let air move freely inside the entire food compartment
- Do not cover the shelves with plastic, paper etc.

To decrease the amount of ice that collects on the freezer plates:

- Cover all liquids and moist foods
- Let all hot foods cool before putting them in the refrigerator
- Do not open the door any longer than necessary

Freezer Compartment

The freezer compartment is made to keep pre-frozen food frozen and is not made to quickly freeze food. Keep pre-frozen foods in the freezer compartment.

NOTICE

When making ice, put the ice cube tray directly on the freezer surface. Do not put other items on the ice cube tray while the water is freezing. The water freezes more rapidly if the power switch thermostat is at the coldest temperature setting.

Door Latch For Travel

During travel, the door latch prevents the door from opening. There are no chains, slides, or any devices that you must engage.

Model Number and Serial Number

The model and serial number are on a label which is inside the refrigerator on the left side.

Operation

This refrigerator is made for refrigerating purposes and operates on 12/24 VDC power when installed as written in this manual. The correct supply voltage is located on the serial plate.

CAUTION

Never store combustible materials near the refrigerator. Storing combustible materials near the refrigerator creates a safety hazard and also decreases the ventilation of the cooling system which decreases the refrigerator performance. Do not store any explosive substance in this refrigerator.

NOTICE

Check if the voltage noted on the type plate of the refrigerator matches the one applied by an external power source.

The temperature is controlled by a thermostat located inside the refrigerator. A light located on the panel comes on when the refrigerator is "ON". Number "1" is the warmest and number "5" is the coldest thermostat position. For efficient operation, change the thermostat according to the types of food stored and the ambient temperature.

If you are not going to use the refrigerator for an extended period of time, put the thermostat to the "OFF" position (full counterclockwise position).

Protection System

Your refrigerator has an over current protection system in the electronic circuit to prevent damage to the inverter which may occur due to a reverse polarity connection.

If the refrigerator does not operate and the interior light does not come on, check the fuse, which is located on the side of the inverter case on the vehicle, and the polarity of the DC power supply. If the refrigerator still does not operate, another problem can exist in the inverter. Have an authorized Norcold Service Center check the refrigerator.



Do not operate the refrigerator on battery power only. Operation of the refrigerator directly from the battery will rapidly discharge the battery. Correctly supply DC power to the refrigerator.

The refrigerator gets DC power from the vehicle battery system. The battery system also supplies power to any other DC appliances or accessories of the vehicle.

Refrigerator Care Checklist

Your refrigerator will give you years of trouble-free service if you do these simple checks every three to six months:

- Keep the food compartment and the freezer clean. See "Cleaning"
- Defrost the refrigerator as necessary. See "Defrosting"
- Make sure the door seals correctly. See "Door Sealing"
- Be aware of any cooling changes that are not because of weather, loading, or thermostat changes. If changes occur, contact your dealer or authorized Norcold Service Center
- Make sure the air flow, in the lower intake vent and out the upper exhaust vent, is not blocked or decreased

Defrosting

The freeze plates of the refrigerator operate at below-freezing temperatures and will naturally form frost from humidity, which is always present in the air. The humidity inside the refrigerator increases:

- with higher outside temperature and humidity
- with the storage of non-sealed fresh foods or warm foods
- with the amount of time that the door(s) are open
- with any air leakage into the refrigerator

It is normal for frost to collect inside the refrigerator. Excess frost decreases the cooling performance of the refrigerator. Defrost the refrigerator:

- Remove all food from the refrigerator
- Turn the refrigerator off
- Put dry towels inside the refrigerator to help remove the excess water

CAUTION

High temperatures can cause the inside surfaces of the refrigerator to warp or melt. Do not use pans of HOT water, a hair dryer, or any other high temperature devices to defrost the refrigerator. Do not use any hard or sharp object to remove frost. Damage to refrigerator can occur.

NOTICE

To increase the speed of defrosting, put pans of WARM water in the refrigerator.

- Remove the wet towels and dry the interior
- Start up the refrigerator
- Allow the refrigerator to cool down
- Return all food to the refrigerator

Cleaning

A good time to clean the refrigerator is just after you defrost it.

Clean the inside of the refrigerator as often as necessary to avoid food odors:

- Remove all food from the refrigerator

NOTICE

Do not use abrasive cleaners, chemicals, or scouring pads because they can damage the interior of the refrigerator. refrigerator can occur.

- Wash the interior with a mild cleaner or a solution of liquid dish detergent and warm water
- Rinse with a solution of baking soda and clean water
- Dry with a clean cloth
- Put all food back into the refrigerator

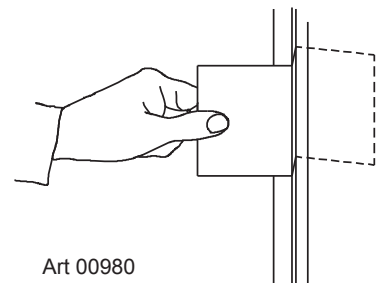
To remove and clean the drip tray:

- Ensure the drip tray is empty of water
- Pull the drip tray down to remove from the slots in the refrigerator cabinet
- Clean the drip tray

Door Sealing

If the door does not seal correctly, excess frost will collect inside the refrigerator. Make sure the door seals correctly:

- Close the door on a piece of paper that is about the size of a dollar bill (See Art00980)
- Gently pull the paper
- You should feel a slight drag between the gasket and the cabinet
- Do this on all four sides of the door
- If you do not feel a slight drag on the paper, the door is not sealing correctly
- Have your dealer or authorized Norcold Service Center correct the seal of the door



Trouble Shooting

If the refrigerator does not cool properly:

- Ensure the power switch/thermostat is not in the off position
- Ensure the power switch/thermostat is at the temperature setting that you wish
- Ensure the power source to the refrigerator is serviceable
- Ensure the fuse or circuit breaker is intact (see “Over Current Protection System”)
- Ensure the refrigerator is correctly installed and that the built in vents are not blocked
- Ensure the ambient temperature is not unusually high (more than 110° F/43° C)
- Ensure the door is closed
- If the weather is hot, ensure the door is sealing correctly
- Ensure the air circulation inside the refrigerator is not decreased by foods or covered shelves
- Ensure hot foods were not placed in the fresh food compartment of the refrigerator
- Ensure the freezer is defrosted

After you make these checks, if the refrigerator does not operate, contact your dealer or an authorized Norcold Service Center.

Over-Heating Shut-Off Device Operation

Operating the refrigerator in high ambient temperatures can over heat the cooling unit and cause premature failure of the compressor (see the label inside the refrigerator).

To protect the cooling unit from over heating, the refrigerator will automatically shut off when the temperature of the power module is higher than 212° F (100° C). The refrigerator will not restart until the temperature of the power module is lower than 176° F (80° C).

Low Voltage Protection System

In order to prevent completely draining the battery, the refrigerator will automatically shut-off when the DC supply voltage becomes too low. The refrigerator will not restart until the DC supply voltages increases. These shut-off and restart voltage levels are:

12VDC Operation	24 VDC Operation
Shut-off 10.4VDC	Shut-off 22.7VDC
Restart 11.6VDC	Restart 24.0VDC

If the DC supply voltage is outside of the listed limits above, the refrigerator will not operate.

Over-Current Protection System

Your refrigerator has an over-current protection system in the electronic circuit to prevent damage to the inverter, which may occur due to a reverse polarity connection.

If the refrigerator does not operate and the green power light does not come on, check the fuse located in line with the DC connector and the polarity of the DC power supply. If the refrigerator still does not operate, another problem may exist in the power module. Have an authorized Norcold Service Center inspect the refrigerator.

Refrigerator Maintenance Checklist

If the refrigerator does not cool properly:

NOTICE

Norcold is not responsible for installation, adjustment, alteration, service, or maintenance performed by anyone other than an authorized Norcold Service Center.

Have an authorized Norcold Service Center do these annual safety and maintenance checks:

1. Ensure the DC voltages are correct (See the “Electrical Current Necessary” section)
2. The wire connections must be clean, tight, and free of corrosion. If any of these items are not correct:
 - A voltage drop to the refrigerator will occur
 - The voltage drop will decrease the cooling performance of the refrigerator

CAUTION

Disconnect the positive(+) DC power supply wire from the battery before you do a “fast charge” of the battery. Failure to disconnect the positive(+) power supply wire from the battery during a “fast charge” can cause damage to the refrigerator and/or other 12 volt DC appliances.

Refrigerator Care Checklist

Over Cooling Drains Your Battery

When the ambient temperature is between 70° and 90° F, keep the thermostat at the “3” position to avoid an excessive drain of the battery. When making ice or storing frozen foods, turn the thermostat to the coldest setting “5”.

Maintain The Battery

If the charge of your battery is not sufficient, the cooling performance of your refrigerator decreases.

CAUTION

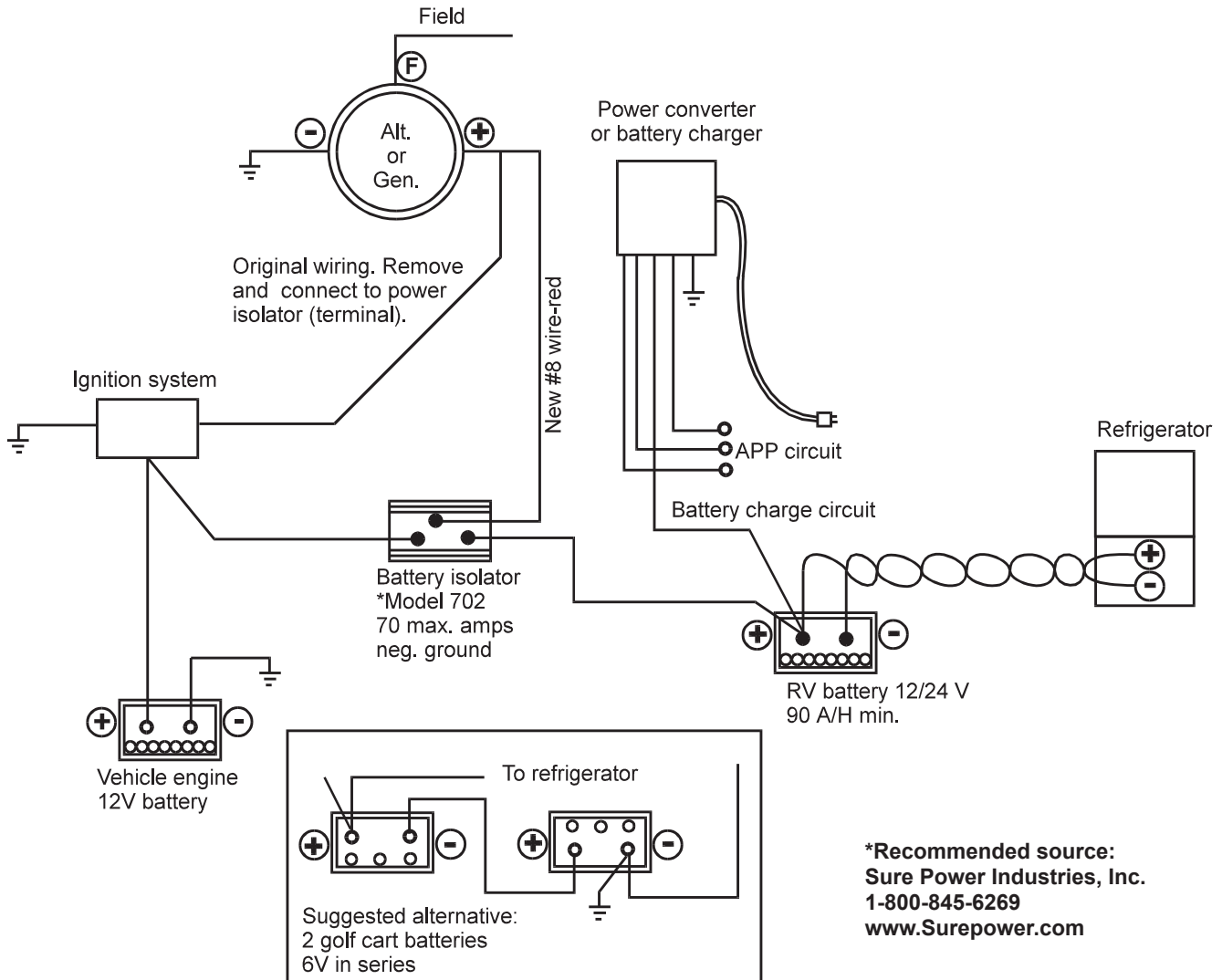
Only use a “quick charger” on the battery if the thermostat is turned to “OFF”.

Check The Battery Specific Gravity Reading

A fully charged battery will have a specific gravity reading of between 1.260 and 1.280. The battery voltage is best indicated when the refrigerator is “ON” and the battery charging system is “OFF”. Charge the battery when the specific gravity reading is less than 1.200.

For Your Reference

The wiring diagram shown below is recommended for dual battery hookup.



Art01516B

Replacement Parts

You may purchase replacement parts through your dealer or an authorized Norcold Service Center.

Disposal



To prevent the risk of child entrapment, before you discard your old refrigerator:

- Remove the doors from the refrigerator
- Let the shelves stay in position so that a child may not easily climb inside the refrigerator

This refrigerator is marked with this symbol. It means that used electrical and electronic refrigerators should not be mixed with general household waste.



If you wish to dispose of this refrigerator, contact your local authorities or specialist dealer for details about how to do this in accordance with the applicable disposal regulations.

Cyclopentane is used in the insulation. The gases in the insulation material require a special disposal procedure. **Please contact your local authorities in regard to the environmentally safe disposal of the refrigerator.**

Installation

The refrigerator must be located and secured on a solid surface in the vehicle or watercraft.

Before installing the refrigerator into the opening, make sure the DC supply is properly connected.

Measure the opening to determine if you have proper clearance for installation. Additional insulation space around the refrigerator is not necessary.

Be sure the refrigerator is not in direct sunlight or near a gas stove, a heater, or other heat-generating appliances. Avoid installing your refrigerator close to warm water lines or warm air ducts.

Your refrigerator was thoroughly cleaned before shipment from the factory. However, it is highly advised to clean the interior once more before using. Wipe the interior with a cloth and warm water. Then wipe with a dry cloth.

Assemble The Enclosure

Ensure the enclosure is the correct size:

- For DC740: 20.5 inches high x 15.25 inches wide x 17.875 inches deep
- For DC751: 20.5 inches high x 18.5 inches wide x 21 inches deep

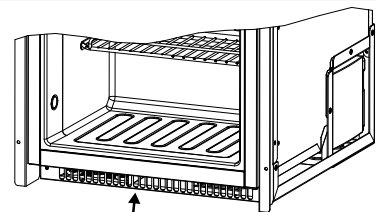
Make sure the floor is solid and level:

- The floor of the enclosure must be a wood panel or metal, extending the full width and depth of the enclosure, and $1\frac{3}{8}$ inches beyond the front of the enclosure
- The floor must be able to support the weight of the refrigerator along with its contents

Ensure there are no adjacent heat sources to the refrigerator.

Ventilation Requirements

Sufficient ventilation (airflow) over the bottom mounted condenser of the refrigerator is necessary for the refrigerator to operate correctly. Cooler air goes into one side of the front lower grill and passes over the condenser. The air removes heat from the condenser and the warmer air goes out through the other side of the front lower grill. Make sure that the front lower grill is not blocked so the air can easily pass through it (See Art02325).



lower front grill

Art02325



If you do not make sure that the ventilation is correct, a shortened refrigerator life expectancy, poor refrigeration, continuous operation, accelerated battery discharge and a void warranty will result.

Installation Options

Install a Decorative Door Panel

NOTICE

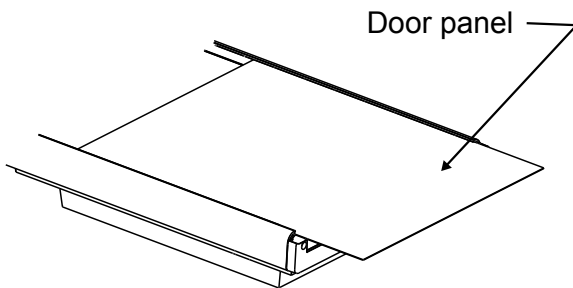
The decorative door panel must be 2.0 mm (0.08 inches) or less in thickness.

1. Remove the door from the refrigerator by removing the four screws that attach the door hinge to the bottom of the refrigerator (Art02326).
2. Remove the panel retainer by removing the three screws that attach the panel retainer (Art02327).
3. Gently pull the door panel out of the door (Art01895).
4. Push a new door panel into the door slot.

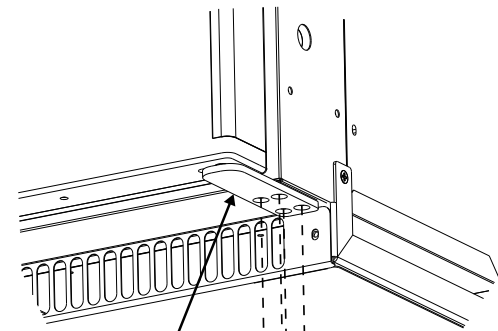
CAUTION

Do not over-tighten the screws and bolts.

5. Put the panel retainer in the original location and attach with three screws.
6. Put the door in the original location and tighten the four screws.

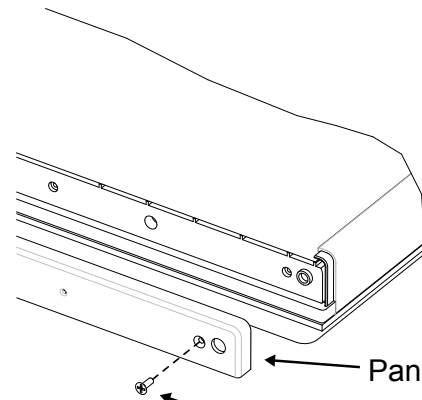


Art01895



door hinge
screws

Art02326



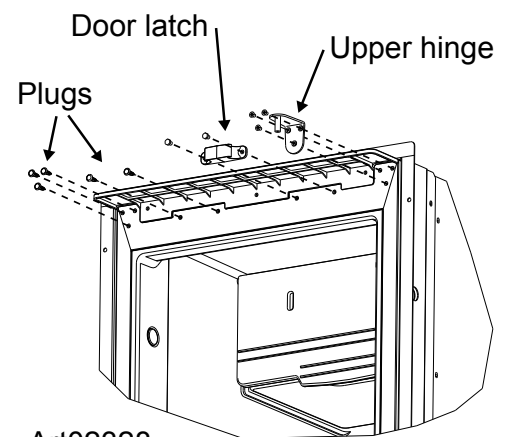
Art02327

Panel retainer

Screw

Reverse The Door Swing

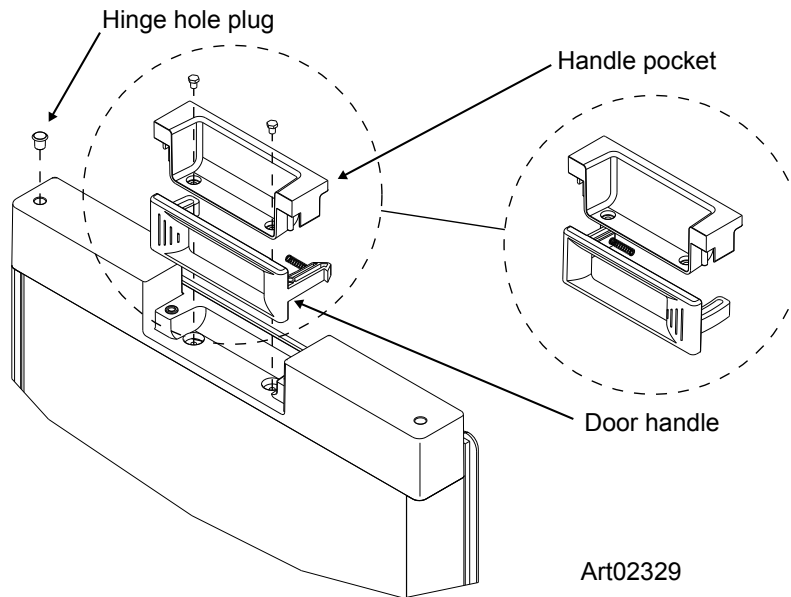
1. Remove the door from the refrigerator by removing the four screws that attach the door hinge to the bottom of the refrigerator.
2. Open the door and pull it off of the top hinge pin.
3. Remove the three screws that attach the upper hinge (Art02328).
4. Remove the three screws that attach the latch to the refrigerator.
5. Remove the hole plugs.
6. Attach the upper hinge and the door latch to the opposite sides of the refrigerator. Put the hole plugs into the empty holes.



Art02328

Reverse The Door Swing

7. Move the latch to the opposite side of the door (Art02329):
 - Remove the two screws that attach the door handle assembly to the door
 - Carefully pull the door handle off the handle pocket so you do not lose the attached spring
 - Reattach the door handle assembly to the door with the two screws
 - Remove the hinge hole plug and put it into the hole in the opposite end of the door
8. Put the door onto the refrigerator and make sure that the gasket seals correctly.
9. Install and tighten the four screws that attach the door hinge to the bottom of the refrigerator.



Connect The Electrical Components

Electrical Current Necessary

12 VDC / 24 VDC

12 VDC Minimum/ Restart (cut-in)/ Maximum.....	10.9 VDC / 12.2 VDC / 17 VDC
24 VDC Minimum/ Restart (cut-in)/ Maximum.....	23.8 VDC / 25.2 VDC / 31.5 VDC
Fuse.....	15 A / 7.5 A

This refrigerator operates on DC electronic sources. Operation out of these limits may damage the refrigerator's electrical circuit parts and will void the warranty.

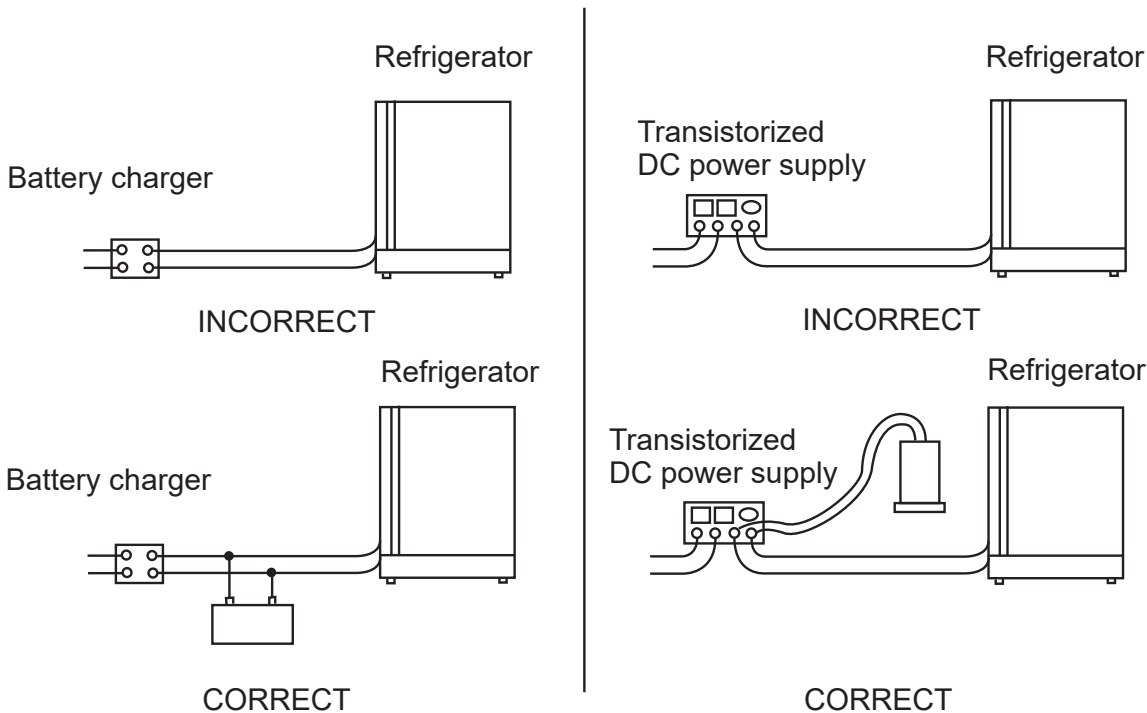
Make no changes to any of the electrical wiring supplied with the refrigerator. Any changes that you make to the electrical wiring will void the warranty.

Connect The 12/24 Volts DC Supply



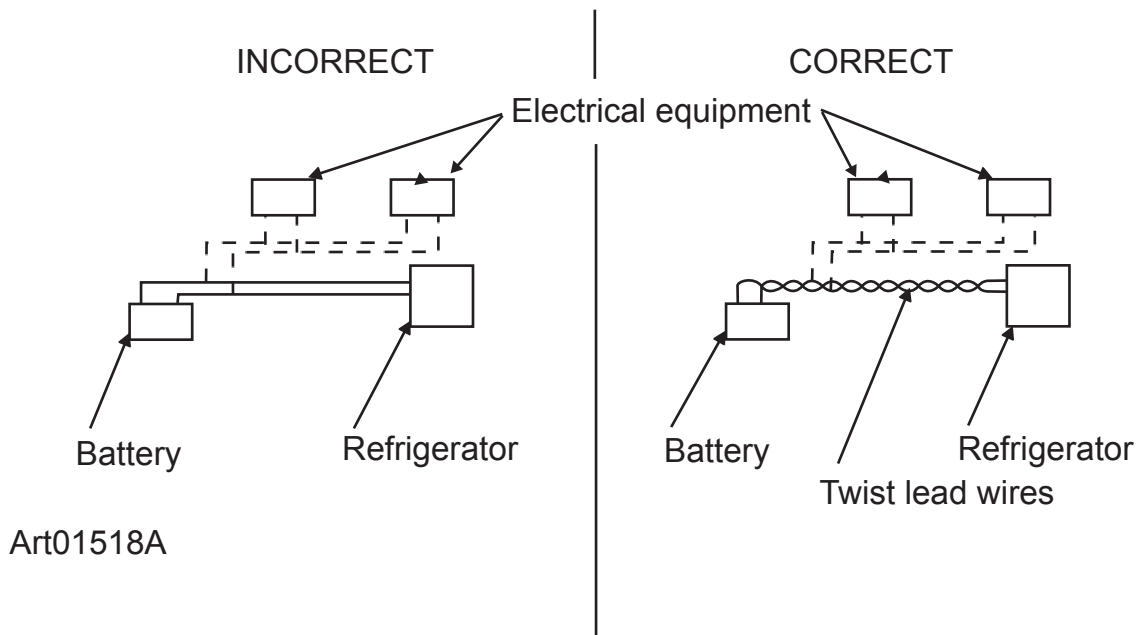
Only connect the refrigerator directly to the battery. Because they often generate high voltage pulses and cause transistor defects in the control module no other switches, lead wires, or electrical equipment should share the wiring between the refrigerator and battery.

When using either a converter or a battery charger, make sure that they are connected in parallel between the battery and the refrigerator. Do not use a converter or battery charger to supply the DC power directly to the refrigerator because these two devices do not supply filtered DC power (Art01521).



Art01521B

1. twist the lead wires to reduce the radio interference and induction of a high voltage surge from the outside (Art01518).
2. Connect the DC power supply.



Art01518A

NORCOLD[®]

Service Information

If service or parts are required, contact the nearest Norcold Service Center. To find an authorized Norcold Service Center near you, visit our website at www.norcold.com or contact the Norcold Customer Support Department at 1-800-543-1219.

NORCOLD®

MANUEL D'INSTALLATION ET DU PROPRIÉTAIRE

RÉFRIGÉRATEURS À COURANT CONTINU DC740
ET DC751 DE 12/24 VOLTS

Clause de non-responsabilité

Thetford recommande fortement aux utilisateurs de recourir aux services d'un professionnel agréé et compétent pour l'installation, l'entretien, la réparation et toute autre intervention nécessaire associée à ce produit. L'utilisateur comprend et assume l'entière responsabilité de l'embauche d'un professionnel possédant les compétences, les connaissances et les qualifications requises pour entretenir votre produit, ce qui inclut, entre autres, les tâches comme l'installation, les réparations, les modifications ou tout autre service nécessaire. Thetford décline toute responsabilité pour tout dommage, perte, blessure ou autre conséquence négative pouvant résulter de l'incapacité de l'utilisateur à embaucher un professionnel qualifié pour l'entretien de votre produit. L'utilisateur reconnaît l'importance de s'assurer que le professionnel embauché respecte les normes et les directives de l'industrie ainsi que la réglementation locale applicable à l'entretien de votre produit. Thetford décline toute responsabilité quant aux actions, omissions ou négligences du professionnel embauché. L'utilisateur s'engage à tenir indemne et à dégager Thetford de toute responsabilité pour les réclamations, responsabilités, dommages, coûts ou dépenses, dont les frais juridiques, découlant de sa décision d'embaucher ou non un professionnel pour l'entretien du produit. En utilisant ce produit, l'utilisateur affirme avoir lu, compris et accepté volontairement cette clause de non-responsabilité.

Exigences particulières pour les installations marines :

Si l'entrée positive (+12/24 volts) est mise à la masse (par des coupures dans l'isolation des fils, des composants mal isolés, etc.), un potentiel de tension peut être provoqué dans toute l'embarcation et entraîner la corrosion des pièces métalliques exposées l'eau. Cette situation peut être évitée en câblant l'embarcation de manière à ce que les masses c.c. soient communes et que le câblage soit protégé conformément au manuel de certification de l'association nationale des constructeurs de bateaux (NNMA CERTIFICATION HANDBOOK) de 1987. Inspectez tout le câblage pour vous assurer que l'isolation n'est pas endommagée et utilisez des serre-fils en plastique. Pour de plus amples informations sur la corrosion, contactez :

Boat and Yacht Corrosion Control by Yacht Corrosion Consultants, Inc.
2368 Eastman Ave. N° 6
Ventura, CA 93003

Contenu

Modèles Norcold à courant continu - Garantie limitée d'un an	1
Modèles Norcold à courant continu - Renseignements sur la garantie....	1
Garantie limitée des produits Norcold	2
Sensibilisation à la sécurité	4
Consignes de sécurité.....	4
À propos de votre réfrigérateur	5
Liste d'entretien du réfrigérateur	6
Dépannage.....	8
Liste d'entretien du réfrigérateur	9
Liste d'entretien du réfrigérateur	9
Pièces de rechange	10
Assemblage de l'armoire	11
Exigences de ventilation.....	11
Options d'installation	12
Branchement des composants électriques.....	13

Modèles Norcold à courant continu - Garantie limitée d'un an

Norcold LLC garantit pour une période d'un (1) an à compter de la date d'achat originale de réparer ou de remplacer ses réfrigérateurs à courant continu.

Limitations de la garantie

1. Cette garantie est la seule qui s'applique aux réfrigérateurs à courant continu Norcold. Elle ne couvre pas les défauts des éléments en verre, des ampoules électriques et des fusibles remplaçables.
2. Cette garantie ne s'applique pas aux réfrigérateurs ou aux pièces ayant fait l'objet d'une utilisation inadéquate, d'une mauvaise installation, d'un service anormal, de dommages lors du transport, de la recharge du système de l'unité de refroidissement, d'un accident, d'un incendie, d'une réparation inadéquate, d'une altération ou d'une utilisation abusive.
3. La durée de toute garantie implicite est limitée à un (1) an.
4. Certaines juridictions ne permettent pas de limiter la durée d'une garantie implicite. Par conséquent, la limitation ci-dessus pourrait ne pas s'appliquer à votre situation.

Limitation des recours

1. La responsabilité de Norcold en vertu de cette garantie se limite à la réparation ou au remplacement (à son choix) de tout réfrigérateur ou composant défectueux.

2. En aucune circonstance Norcold ne saurait être tenue responsable de tous autres frais, y compris, mais sans s'y limiter, les frais ou réclamations pour la main-d'œuvre, les pertes commerciales, la perte de temps, la perte de profits, la perte d'usufruit, ou tout autre dommage indirect ou consécutif, quelles que soient leurs dénominations ou descriptions.

3. Certaines juridictions ne permettent pas d'exclure ou de limiter les dommages implicites ou consécutifs. Par conséquent, l'exclusion ci-dessus pourrait ne pas s'appliquer à votre situation.

Pour recourir à la garantie, communiquez avec le Service à la clientèle de Norcold en visitant notre site Web à www.norcold.com.

Droits juridiques

Cette garantie vous confère des droits juridiques particuliers, auxquels peuvent s'ajouter d'autres droits pouvant varier d'une province ou d'un État à l'autre.

Modèles Norcold à courant continu - Renseignements sur la garantie

Votre réfrigérateur est conçu pour offrir une satisfaction ultime en matière de refroidissement et vous servira avec fiabilité durant les années à venir. Les réfrigérateurs Norcold offrent une garantie standard limitée d'un an.

Pour activer votre garantie limitée d'un an, remplissez et postez le formulaire d'enregistrement de la garantie ci-joint.

Écrivez le numéro de modèle et le numéro de série ci-dessous pour consultation ultérieure. Ces numéros figurent sur la plaque signalétique du réfrigérateur. La plaque signalétique se trouve dans le compartiment des aliments frais, en haut à gauche. Utilisez ces numéros lorsque vous faites appel au service après-vente ou dans toute correspondance concernant votre réfrigérateur.

Numéro de modèle _____ Numéro de série _____

Si un problème survient avec votre réfrigérateur, contactez l'un de nos centres de service aux États-Unis ou au Canada. Pour trouver un centre de service Norcold agréé près de chez vous, contactez le Service à la clientèle Norcold sur notre site à www.norcold.com.

Norcold s'engage à fournir des produits en harmonie avec l'environnement. Votre réfrigérateur Norcold répond à toutes les normes de sécurité environnementale.

Garantie limitée des produits Norcold

Ce qui est couvert

Cette garantie limitée couvre la réparation ou le remplacement, à la seule discrétion de Norcold LLC (ci-après Norcold), de toute pièce de votre nouveau produit Norcold (ci-après produits couverts) dans laquelle une non-conformité de matériaux ou de fabrication apparaît lors d'une utilisation, d'un entretien ou d'un service normal pendant la période de garantie limitée, sous réserve des limitations et exclusions décrites ci-dessous dans « Ce que cette garantie limitée ne couvre pas ». LE SEUL ET UNIQUE RECOURS DANS LE CADRE DE CETTE GARANTIE LIMITÉE EST LA RÉPARATION OU LE REMPLACEMENT DES PRODUITS COUVERTS PAR NORCOLD. NORCOLD NE REMPLACERA PAS NI NE RACHÈTERA VOTRE VÉHICULE RÉCRÉATIF. La réparation ou le remplacement d'un produit couvert ne prolonge pas la durée de vie de la garantie limitée, sauf lorsque la loi nationale ou provinciale prévoit autrement une prolongation pendant la période pendant laquelle le produit couvert est réparé ou remplacé dans le cadre de cette garantie limitée.

Les produits couverts sont limités aux systèmes et composants fabriqués par Norcold qui sont utilisés à des fins personnelles, familiales ou domestiques. Cette garantie limitée ne protège aucun produit couvert utilisé dans des applications commerciales de quelque type que ce soit. Cette garantie limitée exclut toute pièce ou composant ajouté au véhicule récréatif par un tiers. En plus de cette garantie limitée, les fabricants de composants d'origine peuvent fournir leurs propres garanties distinctes. Les acheteurs doivent vérifier la garantie de chaque fabricant de composants d'origine concernant sa couverture. Cette garantie limitée est valable uniquement aux États-Unis et au Canada.

Durée de la garantie limitée

La garantie limitée d'origine est en vigueur pour une période de **12 mois** à compter de la première date de vente du produit couvert.

Qui est couvert

Cette garantie limitée couvre le propriétaire initial d'un produit couvert. La garantie limitée ne peut être transférée aux propriétaires ultérieurs. CETTE GARANTIE LIMITÉE EST NULLE SI LE VÉHICULE A ÉTÉ LOUÉ OU PRÊTÉ CONTRE RÉMUNÉRATION À UNE AUTRE PERSONNE OU ENTITÉ.

Ce qui n'est PAS couvert

Le recours exclusif en vertu de cette garantie limitée ou de toute garantie implicite découlant de la loi de l'État ou de la province est la réparation ou le remplacement de tout produit couvert dans lequel une non-conformité de matériaux ou de fabrication apparaît au cours d'une utilisation, d'un entretien ou d'un service normal au cours de la période de la garantie limitée, sous réserve des exclusions suivantes.

LIMITATION DES DOMMAGES : Norcold décline toute responsabilité pour les dommages accessoires, consécutifs, directs, indirects ou autres (dont la perte de salaire, la perte d'usage, la diminution de valeur, la perte de profits, les opportunités perdues, l'utilisation d'autres moyens de transport, les inconvénients, le coût d'hébergement ou les dépenses en frais de location de véhicule) résultant d'une violation de la garantie écrite ou de toute garantie implicite.

LIMITATION DES GARANTIES IMPLICITES : Cette garantie limitée remplace et exclut toute autre garantie, expresse ou implicite, y compris toute garantie de qualité marchande ou d'adéquation à un usage particulier. Toute garantie implicite découlant de la loi nationale ou provinciale applicable nonobstant ce qui précède, y compris toute garantie implicite de qualité marchande ou d'adéquation à un usage particulier, est limitée à la durée de cette garantie limitée et, dans sa couverture, aux parties du châssis couvert par cette garantie limitée.

Articles non couverts par cette garantie limitée

À titre d'exemple uniquement, cette garantie limitée ne couvre aucun des éléments suivants :

- Entretien normal
- Pièces qui s'usent normalement
- Pièces ou produits obsolètes
- Utilisation du véhicule à des fins commerciales ou de location (Remarque : Il sera conclu que le véhicule a été utilisé à des fins commerciales ou d'affaire si le propriétaire ou l'utilisateur présente une déclaration d'impôt réclamant un avantage fiscal pour un commerce ou une entreprise associé au véhicule, ou si celui-ci est acheté, immatriculé ou enregistré au nom d'une entreprise)
- Ajouts ou accessoires non installés à l'origine par Norcold et tout problème résultant de ces ajouts ou accessoires
- Cette garantie ne s'applique pas aux produits ayant fait l'objet d'un abus, d'une négligence, d'un accident, d'un incendie, d'une réparation inadéquate, d'une installation inadéquate, d'une altération, de l'inobservation des directives d'utilisation ou d'hivérisation contenues dans le Manuel de l'utilisateur ou de toute autre utilisation déraisonnable
- Le numéro d'identification du produit, son numéro de série ou sa date de fabrication ont été effacés, modifiés ou supprimés
- Dommages survenus en dehors d'une utilisation normale et appropriée
- Pour tout problème sur un véhicule qui a été substantiellement endommagé, considéré comme une perte totale par une compagnie d'assurance ou marqué comme un objet de récupération, que ce soit ou non reflété sur le titre du véhicule
- Dommages causés, entre autres, par une collision, un incendie, un vol, le vandalisme, les intempéries, le gel, une inondation, une catastrophe naturelle ou d'autres sinistres
- Dommages ou défauts relatifs aux produits couverts dans un véhicule loué ou loué à une autre partie contre compensation ; ou systèmes et composants endommagés en raison de la corrosion, y compris, mais sans s'y limiter, une exposition au sel et/ou à un acide
- Utilisation de pièces de rechange ne répondant pas aux spécifications de Norcold
- Ajustements de porte après 90 jours

Moment de la réclamation

Le défaut ou la défectuosité allégué doit être notifié à l'entreprise pendant la période de garantie.

Déclarations de tiers

Norcold n'autorise personne à créer pour Norcold d'autres obligations ou responsabilités en relation avec ses produits couverts et Norcold n'est pas responsable de toute déclaration, promesse ou garantie faite par un concessionnaire, un fabricant de composants ou de véhicules, ou toute autre personne au-delà de ce qui est expressément indiqué dans cette garantie limitée.

Comment obtenir un service sous garantie

Pour obtenir un service sous garantie pour votre produit couvert par Norcold, vous pouvez appeler sans frais cinq jours par semaine au 1-800-543-1219. Notre service à la clientèle peut vous aider en répondant aux questions concernant nos produits et services et en vous informant sur la couverture de garantie et les problèmes d'entretien.

Comment s'applique la loi de l'État ou de la province

Cette garantie limitée vous confère des droits juridiques particuliers, auxquels peuvent s'ajouter d'autres droits pouvant varier d'une province ou d'un État à l'autre. De plus, certains États ou provinces n'appliqueront pas une ou plusieurs limitations de ce document. Il est donc possible que certaines ne s'appliquent pas à votre situation.

Sensibilisation à la sécurité

Lisez attentivement ce manuel et prenez le temps d'en comprendre le contenu avant d'installer le réfrigérateur.

Prenez conscience des risques d'accident lorsque vous voyez un symbole d'alerte à la sécurité sur le réfrigérateur et dans ce manuel. Un mot d'avertissement suit le symbole d'alerte de sécurité et identifie le danger en question. Lisez attentivement les descriptions de ces mots pour bien comprendre leur signification. Ils sont là pour votre sécurité.



Ce mot d'avertissement désigne un risque qui, s'il est ignoré, peut entraîner de graves blessures personnelles, la mort ou d'importants dommages matériels.



Ce mot d'avertissement désigne un risque qui, s'il est ignoré, peut entraîner de légères blessures personnelles ou des dommages matériels.

Consignes de sécurité



Pour les installations qui exigent une source d'alimentation électrique externe, l'appareil doit être relié à la terre conformément aux codes locaux ou au Code national de l'électricité NFPA 70.

Une installation, un ajustement, une modification ou un entretien incorrect du réfrigérateur peut entraîner des blessures personnelles et des dommages matériels.

Suivez les directives de la section « Exigences de ventilation » de ce manuel.

Ne contournez pas ou ne modifiez pas les dispositifs ou fonctions électriques du réfrigérateur.

Protégez tous les fils contre les dommages matériels, les vibrations et la chaleur excessive.

Ne pulvérisez pas de liquides près des prises électriques, des connexions ou des pièces du réfrigérateur car de nombreux liquides conduisent l'électricité et peuvent poser un risque de chocs électriques, de courts-circuits ou d'incendie.

Cet appareil est conçu pour être utilisé dans un foyer ou des applications similaires comme les véhicules récréatifs, les bateaux ou les semi-remorques.

Pour éviter les risques dus à de l'instabilité de l'appareil, celui-ci doit être fixé conformément aux instructions.

Un moyen de déconnexion de l'alimentation c.c. du réfrigérateur doit être incorporé au câblage fixe conformément aux règles du câblage.

Il est nécessaire de permettre la déconnexion de la source d'alimentation de l'appareil après l'installation.

Ce moyen de déconnexion peut être obtenu en ayant une prise de courant accessible ou en incorporant un interrupteur au câblage fixe conformément aux règles du câblage.

L'entreposage de substances inflammables derrière ou autour du réfrigérateur présente un risque d'incendie. N'utilisez pas la zone située derrière le réfrigérateur pour ranger quoi que ce soit, particulièrement des substances inflammables

Ne rangez aucune substance explosive dans ce réfrigérateur.

Une surcharge du circuit peut entraîner un incendie d'origine électrique si les fils et/ou les fusibles ne sont pas du bon calibre. N'utilisez que les calibres de fil et tailles de fusible indiquées dans le « Manuel d'installation ».

Une installation, un ajustement, une modification ou un entretien incorrects de ce réfrigérateur peut entraîner des blessures personnelles, des dommages matériels ou les deux. Tous les travaux d'entretien de ce réfrigérateur doivent être effectués par un technicien d'entretien compétent.

Ne contournez pas ou ne modifiez pas les dispositifs ou fonctions électriques du réfrigérateur.

Lorsque vous jetez un appareil ménager, enlevez la porte pour éviter tout risque accidentel de piégeage et de suffocation.



L'arrière du réfrigérateur comporte des arêtes et des angles tranchants. Pour éviter les coupures ou éraflures en travaillant sur le réfrigérateur, procédez avec soin et portez des gants protecteurs.

Cet appareil n'est pas destiné à être utilisé par des personnes (y compris des enfants) ayant des capacités physiques, sensorielles ou mentales réduites, ou un manque d'expérience ou de connaissances, à moins qu'elles n'aient reçu une surveillance ou des instructions concernant l'utilisation de l'appareil par une personne responsable de leur sécurité. Les enfants doivent être surveillés pour s'assurer qu'ils ne jouent pas avec l'appareil.

À propos de votre réfrigérateur

Utilisation

Ce réfrigérateur est conçu pour être utilisé dans un véhicule récréatif, une embarcation ou un camion. N'exposez pas le réfrigérateur à la pluie.

Capacité :

Ce réfrigérateur est conçu pour conserver des aliments frais et surgelés et pour fabriquer des glaçons.

Volume du DC740 : 1,5 pied cube (42 litres)

Volume du DC751 : 2,4 pieds cubes (68 litres)

Compartment des aliments :

Démarrez le réfrigérateur et laissez-le refroidir pendant quatre heures avant de le remplir d'aliments. Si le réfrigérateur ne commence pas à refroidir après environ quatre heures, contactez votre revendeur ou un centre de service Norcold agréé.

Pour le meilleur rendement du refroidissement :

- Laissez l'air circuler librement à l'intérieur de tous les compartiments d'aliments frais
- Ne couvrez pas les étagères avec du plastique, du papier, etc.

Pour diminuer la quantité de glace qui s'accumule sur les plaques du congélateur :

- Couvrez tous les aliments humides et les liquides
- Laissez refroidir tous les aliments chauds avant de les mettre au réfrigérateur
- N'ouvrez pas la porte plus longtemps que nécessaire

Compartment congélateur

Le compartiment congélateur est conçu pour conserver les aliments précongelés et non pour congeler rapidement les aliments. Conservez les aliments précongelés dans le compartiment congélateur.



Lorsque vous préparez de la glace, placez le bac à glaçons directement au fond du congélateur. Ne placez pas d'autres objets sur le bac à glaçons pendant que l'eau gèle. L'eau gèle plus rapidement si l'interrupteur/thermostat est au réglage de température le plus froid.

Loquet de porte pour les déplacements :

Pendant les déplacements, le loquet de porte empêche la porte de s'ouvrir. Il n'y a pas de chaînes, de glissières ni aucun dispositif à engager.

Numéro de modèle et numéro de série

Le numéro de modèle et le numéro de série du réfrigérateur figurent sur une étiquette à l'intérieur, du côté gauche.

Fonctionnement

Cet appareil est conçu à des fins de réfrigération et exige une alimentation de 12/24 V c.c. lorsqu'il est installé comme indiqué dans ce manuel. La tension d'alimentation adéquate est indiquée sur la plaque signalétique.



Ne rangez jamais des matières combustibles à proximité du réfrigérateur. Le rangement de matières combustibles à proximité du réfrigérateur présente un risque de sécurité et réduit également la ventilation du système de refroidissement, ce qui diminue la performance du réfrigérateur. Ne rangez aucune substance explosive dans ce réfrigérateur.



Vérifiez que la tension indiquée sur la plaque signalétique du réfrigérateur correspond à celle de la source d'alimentation externe.

La température est contrôlée par un thermostat situé à l'intérieur du réfrigérateur. Un voyant du panneau s'allume lorsque le réfrigérateur est en marche. La position « 1 » du thermostat est la plus chaude et la « 5 » la plus froide. Pour un fonctionnement efficace, réglez le thermostat en fonction des aliments à conserver et de la température ambiante.

Si vous n'utilisez pas le réfrigérateur pendant un temps prolongé, placez le thermostat sur « ARRÊT » (position complètement à gauche).

Systeme de protection

Le circuit électronique de votre réfrigérateur dispose d'un système de protection contre les surintensités pour éviter tout dommage à l'onduleur en raison d'une polarité inversée.

Si le réfrigérateur ne fonctionne pas et que l'éclairage intérieur ne s'allume pas, vérifiez le fusible sur le côté du boîtier de l'onduleur du véhicule et la polarité de l'alimentation c.c. Si le réfrigérateur ne fonctionne toujours pas, l'onduleur peut présenter un autre problème. Demandez à un centre de service Norcold agréé de vérifier le réfrigérateur.



Ne faites pas fonctionner le réfrigérateur uniquement sur la batterie. Le fonctionnement du réfrigérateur directement de la batterie la déchargera rapidement. Alimentez correctement le réfrigérateur en courant continu.

Le réfrigérateur est alimenté en courant continu par le système de batterie du véhicule. La batterie alimente également tout autre appareil ou accessoire alimenté en courant continu du véhicule.

Liste d'entretien du réfrigérateur

Votre réfrigérateur vous offrira des années de service sans problème si vous effectuez ces simples vérifications tous les trois à six mois :

- Gardez le compartiment des aliments frais et le congélateur propres. Voir « Nettoyage ».
- Dégivrez le réfrigérateur s'il y a lieu. Voir « Dégivrage ».
- Assurez-vous que la porte ferme hermétiquement. Voir « Étanchéité de la porte ».
- Surveillez toute variation du refroidissement qui n'est pas due à la météo, à la charge ou aux réglages du thermostat. Consultez votre revendeur ou un centre de service Norcold agréé.
- Assurez-vous que l'air circule librement de l'évent d'admission inférieur jusqu'à la sortie de l'évent d'évacuation supérieur.

Dégivrage

Les parois du congélateur du réfrigérateur sont à des températures inférieures à zéro et formeront naturellement du givre à cause de l'humidité, toujours présente dans l'air. L'humidité à l'intérieur du réfrigérateur augmente :

- avec une élévation de la température extérieure et de l'humidité
- en présence d'aliments frais non scellés ou d'aliments chauds
- selon la durée d'ouverture de la ou des portes
- si le réfrigérateur n'est pas hermétique

Il est normal que du givre se forme à l'intérieur du réfrigérateur. Un excès de givre nuit au rendement de refroidissement du réfrigérateur. Dégivrage du réfrigérateur :

- Retirez tous les aliments du réfrigérateur.
- Éteignez le réfrigérateur.
- Placez des serviettes sèches à l'intérieur du réfrigérateur pour aider à éliminer l'excès d'eau.



Des températures élevées peuvent faire gondoler ou fondre des surfaces intérieures du réfrigérateur. N'utilisez pas de casseroles d'eau CHAUDE, de sèche-cheveux ou tout autre appareil à haute température pour dégivrer le réfrigérateur. N'utilisez aucun objet dur ou pointu pour éliminer le givre, au risque d'endommager le réfrigérateur.



Pour accélérer décongélation, mettez des casseroles d'eau TIÈDE dans le réfrigérateur.

- Retirez les serviettes mouillées et séchez l'intérieur.
- Faites démarrer le réfrigérateur.
- Laissez le réfrigérateur refroidir.
- Remplacez tous les aliments dans le réfrigérateur.

Nettoyage

Un bon moment pour nettoyer le réfrigérateur est juste après l'avoir dégivré.

Nettoyez l'intérieur aussi souvent que nécessaire pour éviter les odeurs d'aliments :

- Retirez tous les aliments du réfrigérateur



N'utilisez pas de nettoyants abrasifs, de produits chimiques ou de tampons à récurer au risque d'endommager l'intérieur du réfrigérateur.

- Lavez l'intérieur avec un nettoyant doux ou une solution de détergent à vaisselle liquide et d'eau tiède.
- Rincez avec une solution de bicarbonate de soude et d'eau propre.
- Séchez avec un chiffon propre.
- Remplacez tous les aliments dans le réfrigérateur.

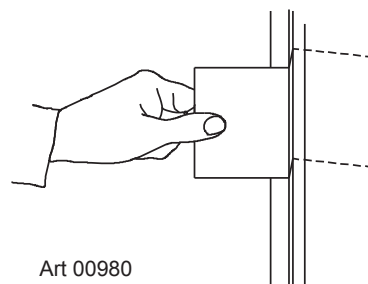
Pour retirer et nettoyer le plateau de dégivrage :

- Assurez-vous qu'il n'y a pas d'eau dans le plateau de dégivrage.
- Tirez le plateau de dégivrage vers le bas pour le dégager des fentes de l'enceinte du réfrigérateur.
- Nettoyez le plateau de dégivrage.

Étanchéité de la porte

Si la porte ne ferme pas hermétiquement, un excès de givre s'accumulera à l'intérieur du réfrigérateur. Assurez-vous que la porte ferme hermétiquement.

- Fermez la porte sur une feuille de papier de la taille d'un billet de banque (voir ART00980).
- Tirez doucement sur le papier.
- Vous devriez sentir une légère résistance entre le joint et l'enceinte.
- Faites de même sur les quatre côtés de la porte.
- Si vous ne sentez pas une légère résistance sur le papier, la porte ne ferme pas hermétiquement.
- Demandez à votre revendeur ou à un centre de service Norcold agréé de corriger le joint de la porte.



Art 00980

Dépannage

Si le réfrigérateur ne refroidit pas correctement :

- Assurez-vous que l'interrupteur d'alimentation/thermostat n'est pas sur Arrêt
- Assurez-vous que l'interrupteur d'alimentation/thermostat est au réglage de température que vous souhaitez
- Assurez-vous que la source d'alimentation du réfrigérateur est en bon état
- Assurez-vous que le fusible ou le disjoncteur est intact (voir « Système de protection contre les surintensités »)
- Assurez-vous que le réfrigérateur est correctement installé et que les événements d'aération intégrés ne sont pas obstrués
- Assurez-vous que la température ambiante n'est pas anormalement élevée (plus de 43 °C)
- Assurez-vous que la porte est fermée
- S'il fait chaud, assurez-vous que la porte ferme correctement
- Assurez-vous que la circulation de l'air à l'intérieur du réfrigérateur n'est pas diminuée par des aliments ou des étagères couvertes.
- Assurez-vous qu'aucun aliment chaud n'a été placé dans le compartiment des aliments frais du réfrigérateur
- Assurez-vous que le congélateur est dégivré

Après ces vérifications, si le réfrigérateur ne fonctionne pas, contactez votre revendeur ou un centre de service Norcold agréé.

Fonctionnement du dispositif d'arrêt en cas de surchauffe

Faire fonctionner le réfrigérateur à des températures ambiantes élevées peut faire surchauffer l'unité de refroidissement et provoquer une panne prématurée du compresseur (voir l'étiquette à l'intérieur du réfrigérateur).

Pour protéger l'unité de refroidissement contre la surchauffe, le réfrigérateur s'éteindra automatiquement lorsque la température du module d'alimentation dépasse 100 °C. Le réfrigérateur ne redémarrera pas tant que la température du module d'alimentation ne sera pas inférieure à 80 °C.

Système de protection contre la basse tension

Afin d'éviter de décharger complètement la batterie, le réfrigérateur s'éteindra automatiquement si la tension d'alimentation c.c. faiblit trop. Le réfrigérateur ne redémarrera pas tant que la tension d'alimentation c.c. n'augmentera pas. Les tensions d'arrêt et de redémarrage sont :

Fonctionnement 12 V c.c.

Coupure à 10,4 V c.c.

Redémarrage à 11,6 V c.c.

Fonctionnement 24 V c.c.

Coupure à 22,7 V c.c.

Redémarrage à 24,0 V c.c.

Si la tension de l'alimentation c.c. est en dehors des limites ci-dessus, le réfrigérateur ne fonctionnera pas.

Système de protection contre les surintensités

Le circuit électronique de votre réfrigérateur comporte un système de protection contre les surintensités pour éviter d'endommager l'onduleur en raison d'une connexion à polarité inversée.

Si le réfrigérateur ne fonctionne pas et que le voyant d'alimentation vert ne s'allume pas, vérifiez le fusible situé en ligne avec le connecteur c.c. et la polarité de l'alimentation c.c. Si le réfrigérateur ne fonctionne toujours pas, le module d'alimentation peut présenter un autre problème. Demandez à un centre de service Norcold agréé d'inspecter le réfrigérateur.

Liste d'entretien du réfrigérateur

Si le réfrigérateur ne refroidit pas correctement :



Norcold n'est responsable d'aucun réglage, installation, modification, réparation ou entretien effectué autrement que par un centre de service Norcold agréé.

Demandez à un centre de service Norcold agréé d'effectuer ces contrôles annuels de sécurité et d'entretien :

1. Assurez-vous que les tensions c.c. sont adéquates (voir la section « Courant électrique nécessaire »)
2. Les connexions des fils sont propres, bien serrées et exemptes de corrosion. Si l'un de ces éléments est incorrect :

- Une chute de tension se produira au réfrigérateur.

Cette chute de tension réduira la capacité de refroidissement du réfrigérateur.



Débranchez le fil d'alimentation c.c. positif (+) de la batterie avant d'effectuer une « recharge rapide ». Négliger de débrancher le fil d'alimentation positif (+) de la batterie lors d'une « recharge rapide » peut endommager le réfrigérateur ou d'autres appareils 12 volts à courant continu.

Liste d'entretien du réfrigérateur

Un refroidissement excessif épuise votre batterie

Lorsque la température ambiante est entre 21° et 32 °C, maintenez le thermostat à la position « 3 » pour éviter de décharger exagérément la batterie. Lorsque vous préparez de la glace ou conservez des aliments surgelés, placez le thermostat au réglage le plus froid « 5 ».

Entretien de la batterie

Si la charge de la batterie est insuffisante, la capacité de refroidissement du réfrigérateur diminuera.



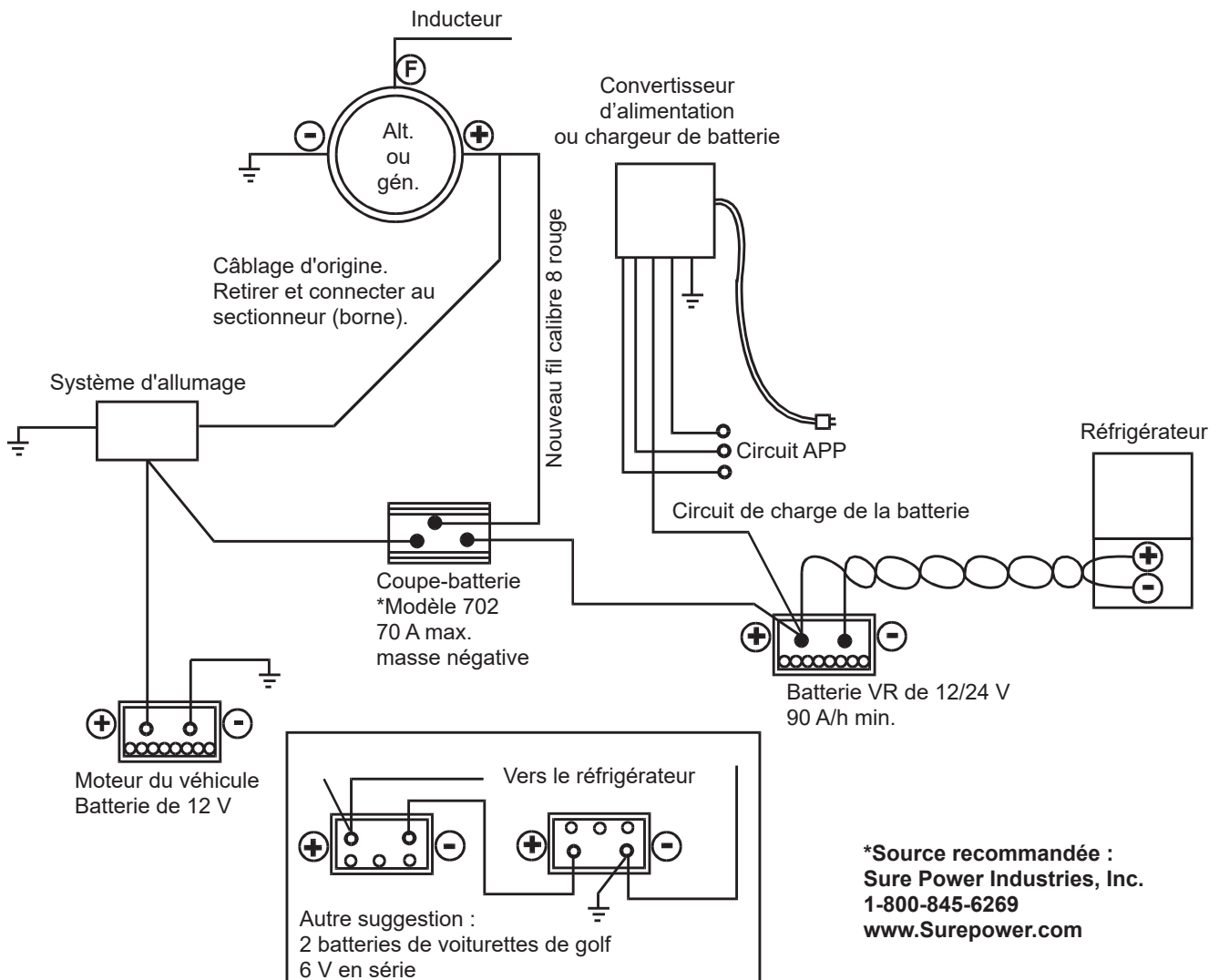
N'utilisez un « chargeur rapide » pour la batterie que si le thermostat est sur « ARRÊT ».

Vérifiez la densité relative de la batterie

Une batterie complètement chargée aura une densité relative de 1,260 à 1,280. La tension de la batterie est mieux indiquée lorsque le réfrigérateur est sur « MARCHE » et que le système de charge de la batterie est sur « ARRÊT ». Chargez la batterie lorsque la densité relative est inférieure à 1,200.

Pour votre référence

Le schéma de câblage présenté ci-dessous est recommandé pour le branchement de deux batteries.



Art01516B

Pièces de rechange

Vous pouvez acheter des pièces de rechange auprès de votre revendeur ou d'un centre de service Norcold agréé.

Mise au rebut



Pour éviter tout risque de piégeage d'enfants, avant de jeter votre ancien réfrigérateur :

- Enlevez la porte du réfrigérateur.
- Laissez les étagères en place afin qu'un enfant ne puisse pas grimper facilement à l'intérieur du réfrigérateur

Ce réfrigérateur est marqué de ce symbole. Cela signifie que les réfrigérateurs électriques et électroniques usagés ne doivent pas être jetés avec les ordures ménagères.



Si vous souhaitez éliminer ce réfrigérateur, contactez vos autorités locales ou votre revendeur pour savoir comment vous conformer aux règlements d'élimination en vigueur.

Du cyclopentane est utilisé dans l'isolation. Les gaz contenus dans ce matériau isolant nécessitent une procédure d'élimination particulière. **Veillez contacter vos autorités locales sur la mise au rebut du réfrigérateur dans le respect de l'environnement.**

Installation

Le réfrigérateur doit être placé et fixé sur une surface solide dans le véhicule ou l'embarcation.

Avant d'installer le réfrigérateur dans l'ouverture, assurez-vous que l'alimentation c.c. est correctement connectée.

Mesurez l'ouverture pour déterminer si vous disposez d'un espace libre suffisant pour l'installation. Un espace d'isolation supplémentaire autour du réfrigérateur n'est pas nécessaire.

Assurez-vous que le réfrigérateur n'est pas exposé à la lumière directe du soleil ou à proximité d'une cuisinière à gaz, d'un radiateur ou d'un autre

appareil produisant de la chaleur. Évitez d'installer votre réfrigérateur à proximité de tuyaux d'eau chaude ou de conduits d'air chaud.

Votre réfrigérateur a été soigneusement nettoyé avant son expédition depuis l'usine. Toutefois, il est fortement conseillé de nettoyer à nouveau l'intérieur avant l'utilisation. Nettoyez l'intérieur avec un chiffon et de l'eau tiède. Essuyez ensuite avec un chiffon sec.

Assemblage de l'armoire

Assurez-vous que l'armoire est de la bonne dimension :

- Pour le modèle DC740 : 52 cm de hauteur x 38,7 cm de largeur x 45,4 cm de profondeur (20,5 po x 15,25 po x 17,875 po)

- Pour le modèle DC751 : 52 cm de hauteur x 47 cm de largeur x 53,3 cm de profondeur (20,5 po x 18,5 po x 21 po)

- Le plancher de l'armoire doit être fait d'un panneau de bois ou de métal sur toute la largeur et la profondeur de l'armoire et la dépassant de 3,5 cm (1 $\frac{3}{8}$ po) à l'avant.

- Le plancher doit pouvoir supporter le poids du réfrigérateur et de son contenu

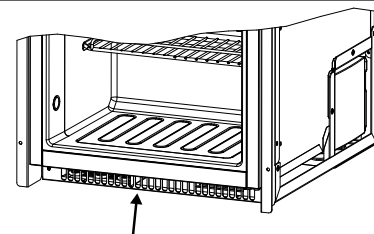
Assurez-vous que le plancher est solide et de niveau :

Assurez-vous qu'il n'y a aucune source de chaleur adjacente au réfrigérateur.

Exigences de ventilation

Une ventilation adéquate au-dessus du condenseur monté sous le réfrigérateur est nécessaire à son bon fonctionnement. L'air frais entre d'un côté de la grille avant inférieure et passe au-dessus du condenseur.

L'air élimine la chaleur du condenseur et l'air chaud ressort par l'autre côté de la grille avant inférieure. Assurez-vous que la grille avant inférieure n'est pas obstruée afin que l'air puisse y circuler facilement (voir Art02325).



Grille avant inférieure Art02325



Une ventilation inadéquate réduira la durée de vie du réfrigérateur, entraînera une mauvaise réfrigération et le fonctionnement continu l'appareil, déchargera rapidement la batterie et annulera la garantie.

Options d'installation

Installation d'un panneau de porte décoratif



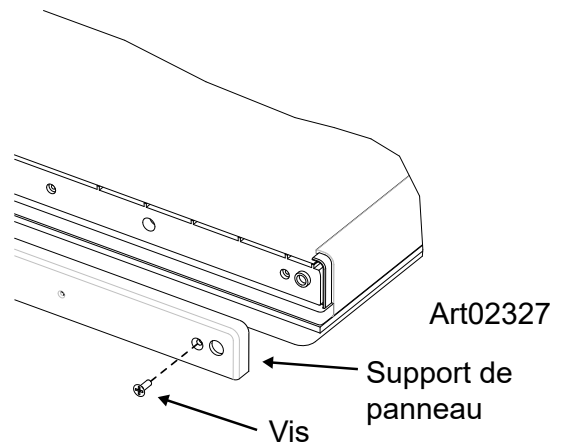
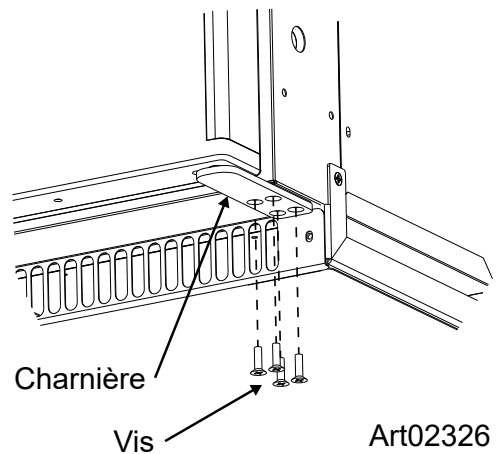
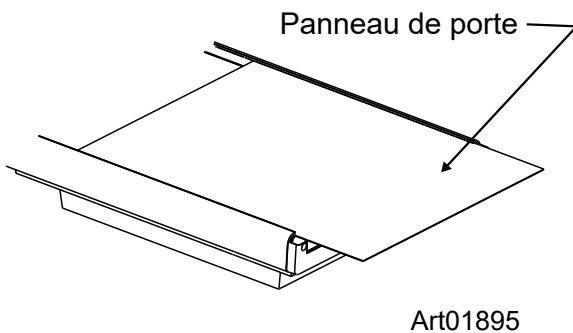
Le panneau de porte décoratif doit avoir une épaisseur maximale de 2,0 mm (0,08 pouce).

1. Enlevez la porte du réfrigérateur en retirant les quatre vis de la charnière du bas (Art02326).
2. Enlevez la porte du réfrigérateur en retirant les quatre vis de la charnière du bas (Art02327).
3. Dégagez doucement le panneau hors de la porte (Art01895).
4. Insérez un panneau neuf dans la rainure de la porte.



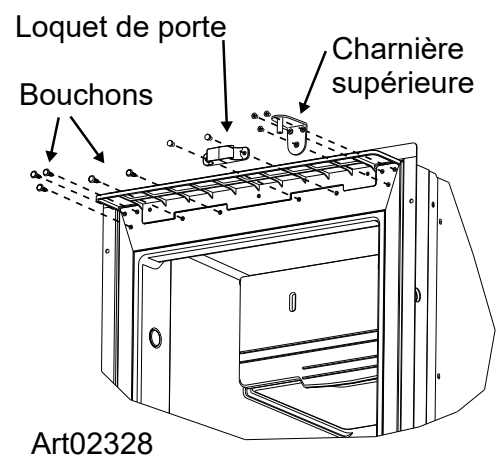
Ne serrez pas trop les vis et les boulons.

5. Remplacez le support de panneau et fixez-le avec les trois vis.
6. Remplacez la porte ou et serrez les quatre vis.



Inversion de l'ouverture de la porte

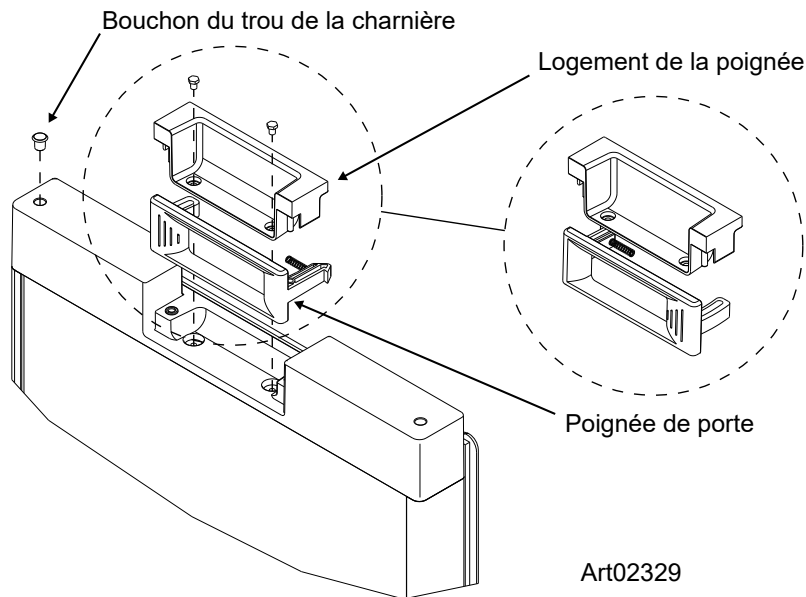
1. Enlevez la porte du réfrigérateur en retirant les quatre vis de la charnière du bas.
2. Ouvrez la porte et dégagez-la du pivot de la charnière supérieure.
3. Enlevez les trois vis de fixation de la charnière supérieure (Art02328).
4. Retirez les trois vis du loquet du réfrigérateur.
5. Retirez les bouchons.
6. Fixez la charnière supérieure et la plaque de loquet de porte du côté opposé du réfrigérateur. Refermez les trous avec les bouchons.



Inversion de l'ouverture de la porte

7. Déplacez le loquet du côté opposé de la (Art02329) :

- Retirez les deux vis de la poignée de la porte
 - Dégagez doucement la poignée de la pochette afin d'éviter de perdre le ressort
 - Reposez l'ensemble de la poignée sur la porte avec les deux
 - Retirez le bouchon de la charnière et placez-le pour refermer le trou du côté opposé de la porte
8. Remplacez la porte sur le réfrigérateur et assurez-vous que le joint ferme correctement.
9. Installez et serrez les quatre vis de la charnière du bas du réfrigérateur.



Branchement des composants électriques

Courant électrique nécessaire

12 V c.c. / 24 V c.c.

Minimum 12 V c.c. / Redémarrage (coupure) / Maximum	10,9 V c.c. / 12,2 V c.c. / 17 V c.c.
Minimum 24 V c.c. / Redémarrage (coupure) / Maximum	23,8 V c.c. / 25,2 V c.c. / 31,5 V c.c.
Fusible.....	15 A / 7,5 A

Ce réfrigérateur fonctionne au moyen d'une source de courant c.c. électronique. L'utilisation du réfrigérateur en dehors de ces limites risque d'endommager les pièces de son circuit électrique et d'annuler la garantie.

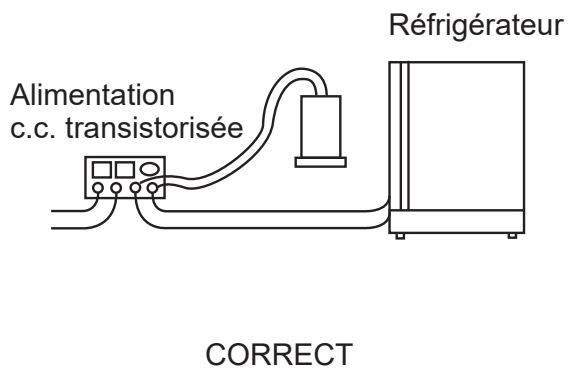
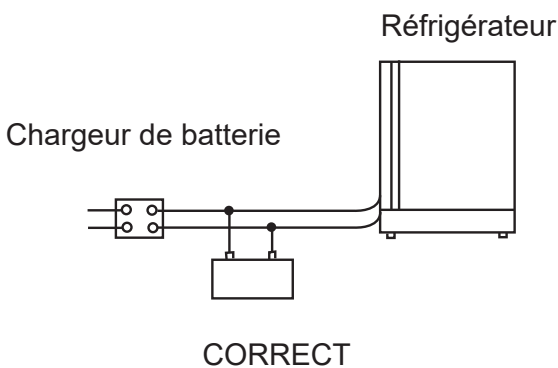
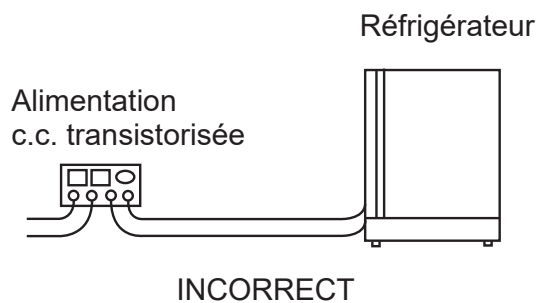
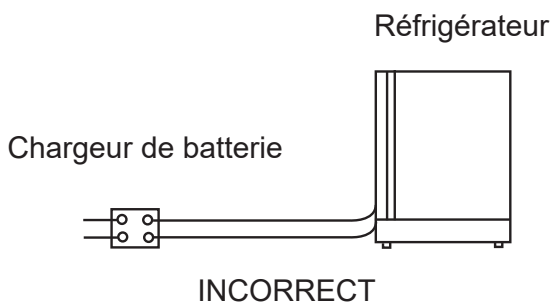
N'apportez aucun changement au câblage électrique fourni avec le réfrigérateur. Toute modification apportée au câblage électrique annulera la garantie.

Connectez l'alimentation 12/24 Volts c.c.



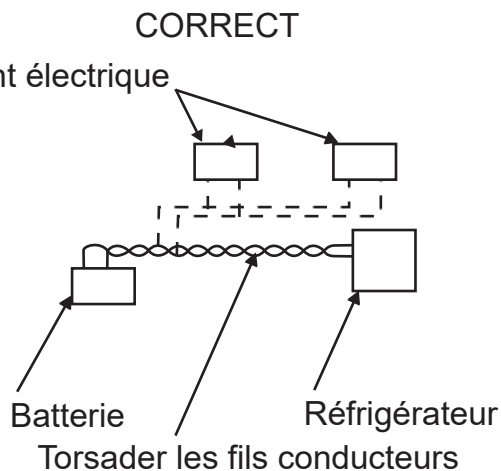
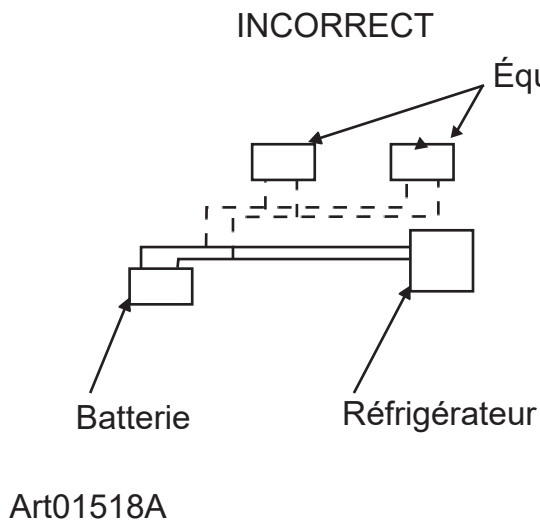
Ne connectez le réfrigérateur que directement à la batterie. Parce qu'ils génèrent souvent des impulsions de haute tension et peuvent provoquer une défectuosité du transistor dans le module de commande, aucun autre interrupteur, fil conducteur ou équipement électrique ne doit partager le câble entre le réfrigérateur et la batterie.

Lorsque vous utilisez un convertisseur ou un chargeur de batterie, assurez-vous qu'ils sont connectés en parallèle entre la batterie et le réfrigérateur. N'utilisez pas un convertisseur ni un chargeur de batterie pour fournir l'alimentation c.c. directement au réfrigérateur car ces deux appareils ne fournissent pas une alimentation c.c. filtrée (Art01521).



Art01521B

1. Torsadez les fils conducteurs pour réduire les interférences radio et l'induction d'une crête de haute tension de l'extérieur (Art01518).
2. Branchez l'alimentation de courant continu.



NORCOLD®

Centre de service

Si une intervention ou des pièces sont nécessaires, contactez le centre de service Norcold le plus proche. Pour trouver un centre de service Norcold agréé près de chez vous, visitez notre site Web à www.norcold.com ou communiquez avec le Service à la clientèle Norcold au 1-800-543-1219.

NORCOLD[®]

MANUAL DE INSTALACIÓN Y DEL PROPIETARIO

REFRIGERADORES DE CORRIENTE CONTINUA
DC740 y DC751 DE 12/24 VOLTIOS

Descargo de responsabilidades

Thetford recomienda y aconseja encarecidamente que el usuario contrate los servicios de un profesional capacitado y certificado para la instalación, el mantenimiento, la reparación o cualquier otra necesidad de mantenimiento relacionada con el producto. El usuario entiende y asume la plena responsabilidad de contratar a un profesional que tenga las habilidades, calificaciones y conocimientos necesarios para dar servicio a su producto. Esto incluye, sin carácter limitativo, labores tales como instalación, reparaciones, modificaciones o cualquier otro servicio requerido. Thetford se exime de cualquier responsabilidad por cualquier daño, pérdidas, lesiones u otras consecuencias adversas que puedan producirse por el usuario no haber contratado a un profesional capacitado para el servicio de su producto. El usuario reconoce la importancia de verificar que el profesional contratado cumpla las normas, directrices, y regulaciones locales industriales aplicables para el servicio de su producto. Thetford no se responsabiliza de las acciones, omisiones o negligencia del profesional contratado. El usuario se compromete a indemnizar y eximir a Thetford de cualquier reclamación, responsabilidad, daños, costos o gastos, incluidos los honorarios legales, derivados de la decisión del usuario de contratar o no contratar a un profesional para el servicio del producto. Al usar su producto, el usuario afirma haber leído, entendido y aceptado voluntariamente este descargo de responsabilidades.

Requisitos especiales para instalaciones marinas:

Si la entrada positiva (+12/24 voltios) llegara a conectarse a tierra (debido a cortes en el aislamiento del cable, componentes aislados incorrectamente, etc.) puede producirse en toda la embarcación un potencial eléctrico que ocasione la corrosión de cualquier parte metálica que esté expuesta al agua. Para evitar esta situación, el cableado de la embarcación deberá hacerse de manera que las conexiones de tierra de CC sean comunes, y protegerse siguiendo las indicaciones que aparecen en el manual de certificación de NNMA (NNMA CERTIFICATION HANDBOOK) de 1987. Inspeccione todo el cableado para comprobar que el aislamiento esté intacto; use pinzas plásticas para cables. Encontrará más información sobre corrosión en:

Boat and Yacht Corrosion Control, de Yacht Corrosion Consultants, Inc.
2368 Eastman Ave. #6
Ventura, CA 93003

Índice

Modelos de CC Norcold: Garantía limitada de 1 año.....	1
Modelos de CC Norcold: Información de la garantía.....	1
Garantía limitada de productos Norcold.....	2
Conocimientos de seguridad	4
Instrucciones de seguridad	4
Acerca de su refrigerador.....	5
Lista de comprobaciones para el cuidado del refrigerador	6
Resolución de problemas.....	8
Lista de comprobaciones para el mantenimiento del refrigerador	9
Lista de comprobaciones para el cuidado del refrigerador	9
Piezas de repuesto	10
Configurar el recinto.....	11
Requisitos de ventilación.....	11
Opciones de instalación	12
Conectar los componentes eléctricos.....	13

Modelos de CC Norcold: Garantía limitada de 1 año

Norcold LLC garantiza la reparación o el reemplazo de sus refrigeradores de CC por un período de un (1) año a partir de la fecha de la compra.

Limitaciones de la garantía

1. Esta garantía es la única que se ofrece para los refrigeradores de CC Norcold. Esta garantía no cubre artículos de vidrio, bombillas eléctricas o fusibles reemplazables.
2. Esta garantía no se aplica a refrigeradores ni piezas que se hayan sometido a usos indebidos, instalación inadecuada, servicio anormal, daños de transporte, recarga de la unidad refrigerante, accidentes, incendio, reparación inadecuada, alteraciones indebidas o malos tratos.
3. La duración de cualquier garantía implícita se limita a un (1) año.
4. Algunos estados no permiten limitaciones en la duración de una garantía implícita, así que es posible que la limitación anterior no se aplique en su caso.

Limitaciones de recursos

1. La responsabilidad de Norcold en virtud de esta o cualquier otra garantía se limita a la reparación o al reemplazo, a criterio de Norcold, de todo refrigerador o pieza defectuosos.
- 2. En ningún caso, y bajo ninguna circunstancia, Norcold asumirá responsabilidad alguna por ningún otro cargo, incluidos, entre otros, cargos o reclamaciones por mano de obra, pérdidas comerciales, pérdida de tiempo, lucro cesante, pérdida de uso o cualquier otro tipo de daños incidentales o consecuentes, cualquiera sea su denominación o descripción.**
3. Algunos estados no permiten la exclusión o la limitación de daños incidentales o consecuentes. Por lo tanto, puede que la exclusión anterior no se aplique en su caso.

Para obtener servicio de garantía, comuníquese con el Departamento de Servicio al Cliente de Norcold visitando nuestro sitio web, www.norcold.com.

Derechos legales

Esta garantía le otorga derechos legales específicos. Usted podría tener otros derechos (que varían de estado a estado).

Modelos de CC Norcold: Información de la garantía

Este refrigerador está destinado a ofrecerle los últimos adelantos en capacidad frigorífica y un rendimiento confiable durante los años venideros. Los refrigeradores Norcold ofrecen una garantía limitada estándar de un año.

Para activar su garantía limitada de un año, llene y envíe por correo el registro de garantía suministrado.

Para referencia futura, anote los números del modelo y de la serie indicados a continuación. Estos números están en la placa de serie del refrigerador. La placa de serie se encuentra en el compartimiento de alimentos frescos, en la parte superior izquierda. Haga referencia a estos números cuando reciba servicio o en cualquier correspondencia relacionada con su refrigerador.

Número de modelo _____ Número de serie _____

Si hubiera algún problema con su refrigerador, comuníquese con cualquiera de los centros de servicio en Estados Unidos y Canadá. Para informarse sobre centros de servicio cercanos autorizados por Norcold, comuníquese con el Departamento de Atención al Cliente de Norcold en el sitio web www.norcold.com.

Norcold tiene el firme compromiso de ofrecer productos que sean amigables para el medio ambiente. Este refrigerador Norcold cumple todas las normas de seguridad ambientales.

Garantía limitada de productos Norcold

Qué está cubierto

Esta garantía limitada cubre la reparación o el reemplazo, a discreción exclusiva de Norcold LLC (en lo sucesivo, Norcold), de cualquier parte de su nuevo producto Norcold (en lo sucesivo, productos cubiertos) que presente una falta de conformidad en cuanto a materiales o mano de obra durante el uso, mantenimiento o servicio normales dentro del período de garantía limitada, sujeto a las limitaciones y exclusiones descritas a continuación en las secciones “Qué no está cubierto” e “Ítems que no están cubiertos bajo esta garantía limitada”. SEGÚN ESTA GARANTÍA LIMITADA, EL RECURSO EXCLUSIVO DEL COMPRADOR SERÁ LA REPARACIÓN O EL REEMPLAZO DE LOS PRODUCTOS CUBIERTOS POR NORCOLD. NORCOLD NO REEMPLAZARÁ EL VEHÍCULO RECREATIVO NI SE LO COMPRARÁ DE VUELTA A USTED. La reparación o el reemplazo de un producto cubierto no prolonga la vida de la garantía limitada, salvo cuando las leyes estatales o provinciales especifiquen de otro modo una prolongación durante el período en que el producto cubierto esté siendo reparado o reemplazado bajo esta garantía limitada.

Los productos cubiertos se limitan a sistemas y componentes fabricados por Norcold que se usen para fines personales, familiares o domésticos. Esta garantía limitada no protege ningún producto cubierto que se use en aplicaciones comerciales de cualquier tipo. Esta garantía limitada excluye cualquier pieza o componente que hayan sido añadidos por terceros al vehículo recreativo. Además de esta garantía limitada, los fabricantes de componentes originales podrán ofrecer sus propias garantías por separado. Los compradores deberán verificar la cobertura de cada garantía de los fabricantes de componentes originales. Esta garantía limitada es válida únicamente en Estados Unidos y Canadá.

Cuánto dura la garantía limitada

La garantía limitada original estará en vigor por un período **12 meses** a partir de la primera fecha de venta del producto cubierto.

A quiénes cubre esta garantía

Esta garantía limitada cubre al propietario original de un producto cubierto. La garantía limitada no se podrá transferir a propietarios posteriores. ESTA GARANTÍA LIMITADA QUEDA SIN EFECTO NI VALOR SI EL VEHÍCULO HA SIDO ARRENDADO O ALQUILADO A OTRA PERSONA O ENTIDAD CON FINES DE LUCRO.

Qué NO está cubierto

Según esta garantía limitada o cualquier garantía implícita que surja bajo las leyes estatales o provinciales, el recurso exclusivo es la reparación o el reemplazo de cualquier producto cubierto que presente una falta de conformidad en cuanto a materiales o mano de obra durante el uso, mantenimiento o servicio normales dentro del período de garantía limitada, sujeto a las siguientes exclusiones.

LIMITACIÓN DE DAÑOS: Norcold no será responsable por daños incidentales, consecuentes, directos, indirectos u otros (tales como, sin carácter limitativo, pérdida de salarios, pérdida de uso, disminución de valor, lucro cesante, pérdida de oportunidades, transporte alternativo, inconvenientes, costo de alojamiento o gastos de alquiler por vehículos perdidos) que resulten del incumplimiento de la garantía escrita o cualquier garantía implícita.

LIMITACIÓN DE GARANTÍAS IMPLÍCITAS: Esta garantía limitada reemplaza a, y excluye, cualquier otra garantía, expresa o implícita, incluso cualquier garantía de comerciabilidad o idoneidad para un propósito particular. Cualquier garantía implícita que surja bajo las leyes estatales o provinciales aplicables, sin perjuicio de lo anterior, incluida cualquier garantía implícita de comerciabilidad o idoneidad para un propósito particular, se limita a la duración del término de esta garantía limitada y el alcance de su cobertura se limita a las porciones del chasis cubiertas bajo esta garantía limitada.

Ítems que no están cubiertos bajo esta garantía limitada

A título meramente ejemplificador, esta garantía limitada no cubre nada de lo siguiente:

- Mantenimiento normal
- Piezas con desgaste normal
- Piezas y/o productos obsoletos
- Uso del vehículo para propósitos de arrendamiento u otros propósitos de índole comercial (nota: Se concluirá que el vehículo se ha usado para fines comerciales y/o de negocio si el propietario o usuario presenta un formulario de impuestos en donde se declare cualquier beneficio comercial o de negocio relacionado con el vehículo, o si el vehículo se somete a compra, registro o título bajo un nombre comercial)
- Adiciones o accesorios que no hayan sido originalmente instalados por Norcold, y todo problema resultante de tales adiciones o accesorios
- Esta garantía no se aplica a productos que hayan sido sujetos a uso inadecuado, negligencia, accidente, incendio, reparación inadecuada, instalación inadecuada, cambios, incumplimiento de las instrucciones de uso o de preparación para el invierno contenidas en el manual del propietario, o a cualquier otro uso irrazonable.
- Se ha mutilado, alterado o eliminado la etiqueta con el número de identificación del producto, el número de serie del producto o el sello de la fecha de fabricación
- Daños producidos fuera del uso normal y adecuado
- Cualquier situación en un vehículo que haya sufrido daños considerables, haya sido declarado como pérdida total por una compañía de seguros o se clasifique como salvamento, ya sea que esto se refleje o no en el título del vehículo
- Daños causados por causas como, sin carácter limitativo, choque, incendio, robo, vandalismo, clima, congelación, inundación, casos fortuitos u otros siniestros
- Daños o defectos, con respecto a los productos cubiertos, en un vehículo que sea arrendado o alquilado a otra parte con fines de lucro; o sistemas y componentes dañados a causa de corrosión, tal como, sin carácter limitativo, la exposición a sal y/o ácidos
- Uso de piezas de repuesto que no satisfagan las especificaciones de Norcold
- Ajustes de puertas tras un período de 90 días

Momento

Es imperativo notificar la supuesta falla o desperfecto a la compañía dentro del período de garantía.

Representaciones de terceros

Norcold no autoriza a ninguna persona a crear para Norcold ninguna otra obligación o responsabilidad en relación con sus productos cubiertos. Asimismo, Norcold no es responsable de ninguna representación, promesa o garantía, hechas por un distribuidor, fabricante de componentes o vehículos o cualquier otra persona, más allá de las declaraciones explícitas de esta garantía limitada.

Cómo obtener el servicio

Para obtener el servicio de garantía de su producto cubierto de Norcold, llame gratis 5 días a la semana al 1-800-543-1219. Nuestro servicio de atención al cliente puede ayudarle a responder preguntas sobre nuestros productos y servicios y proporcionar información sobre la cobertura de la garantía y asuntos de mantenimiento.

Aplicaciones de leyes estatales o provinciales

Esta garantía limitada le otorga derechos legales específicos; es posible que usted tenga también otros derechos legales, que pueden variar según el estado o provincia. Además, ciertos estados y/o provincias no impondrán una o más de las limitaciones expresadas en este documento; por lo tanto, puede que algunas de las limitaciones no se apliquen a usted.

Conocimientos de seguridad

Lea este manual detenidamente y entienda el contenido antes de instalar el refrigerador.

Preste atención a posibles riesgos de seguridad cuando vea el símbolo de alerta de seguridad en el refrigerador y en este manual.

A continuación de los símbolos de alerta de seguridad hay una palabra de aviso que identifica el riesgo. Lea detenidamente las descripciones de estas palabras de aviso para entender plenamente sus significados. Estas palabras se usan para mantener su seguridad.



Esta palabra de aviso significa que hay un riesgo que, de ignorarse, puede causar lesiones corporales graves, la muerte o cuantiosos daños materiales.



Esta palabra de aviso significa que hay un riesgo que, de ignorarse, puede causar lesiones corporales leves o considerables daños materiales.

Instrucciones de seguridad



Para instalaciones que usen un tomacorriente alimentado por una fuente de alimentación externa, será necesario conectar el refrigerador a tierra en cumplimiento de los códigos locales o del Código Eléctrico Nacional, NFPA 70.

Los errores de instalación, ajustes, cambios o mantenimiento de este refrigerador pueden causar lesiones personales y/o daños materiales.

Cumpla con las instrucciones descritas en el apartado "Requisitos de ventilación" de este manual.

No anule ni cambie los componentes o mecanismos eléctricos del refrigerador.

Proteja todo el cableado contra daños físicos, vibración y calor excesivo.

No rocíe líquidos cerca de tomacorrientes, conexiones o componentes eléctricos del refrigerador; muchos líquidos conducen la electricidad y pueden causar riesgos de descargas eléctricas, cortocircuitos y/o incendios.

Este electrodoméstico está destinado a usos en el hogar y aplicaciones similares, como vehículos de recreo, embarcaciones y remolques.

Es imprescindible fijar bien el electrodoméstico según las instrucciones, para así evitar riesgos por causa de inestabilidad.

Se deberá incorporar al cableado fijo un medio de desconexión de la red de alimentación, de conformidad con las normas de cableado.

Es necesario permitir que el electrodoméstico pueda desconectarse de la alimentación después de su instalación. Para lograr esta desconexión, el enchufe debe ser accesible o se debe incorporar un interruptor en el cableado fijo según las normas de cableado.

El almacenamiento de materiales inflamables detrás o alrededor del refrigerador constituye un riesgo de incendio. No almacene nunca nada detrás del refrigerador, especialmente materiales inflamables.

No guarde ninguna sustancia explosiva en este refrigerador.

Las sobrecargas de circuito pueden ocasionar incendios eléctricos si los cables y/o fusibles no son del calibre correcto. Use únicamente los tamaños de cables y fusibles indicados en este manual.

Los errores de instalación, ajustes, cambios o mantenimiento de este refrigerador pueden causar lesiones personales y/o daños materiales. Toda labor de servicio y mantenimiento en este refrigerador debe estar a cargo de un técnico de servicio capacitado.

No anule ni cambie los componentes ni mecanismos eléctricos del refrigerador.

Si va a desechar el electrodoméstico, sáquele todas las puertas para evitar el atrapamiento y asfixia accidentales.



La parte posterior del refrigerador tiene esquinas y bordes afilados. Para evitar cortes o raspones mientras trabaje en el refrigerador, tenga cuidado y póngase guantes resistentes a los cortes.

Este electrodoméstico no está destinado a ser usado por adultos o niños que tengan discapacidades físicas, sensitivas o mentales, o falta de experiencia o conocimientos, a menos que estén supervisados o hayan recibido instrucciones de uso del electrodoméstico por parte de un responsable de su seguridad. Se deberá vigilar a los niños para asegurarse de que no jueguen con el electrodoméstico.

Acerca de su refrigerador

Uso

Este refrigerador está diseñado para usarse en vehículos de recreación o marítimos o camiones. No exponga el refrigerador a lluvia.

Volumen de almacenamiento

Este refrigerador está diseñado para guardar alimentos frescos y congelados y para fabricar hielo.

Volumen del DC740: 1.5 pies cúbicos

Volumen del DC751: 2.4 pies cúbicos

Compartimiento de alimentos

Encienda el refrigerador y déjelo enfriar durante 4 horas antes de cargarlo con comida. Si el refrigerador no comienza a enfriarse después de unas 4 horas, comuníquese con su distribuidor o con un centro de servicio autorizado de Norcold.

Para obtener una capacidad de enfriamiento óptima:

- Permita que el aire circule libremente dentro de todo el compartimiento de alimentos.
- No cubra los estantes con plástico, papel, etc.

Para disminuir la acumulación de hielo en las placas de congelación:

- Tape todos los líquidos y alimentos húmedos.
- Espere a que todos los alimentos calientes se enfríen antes de ponerlos en el refrigerador.
- No deje las puertas abiertas durante más tiempo del necesario.

Compartimiento del congelador

El compartimiento del congelador está hecho para mantener congelados los alimentos precongelados, pero no para congelar alimentos rápidamente. Mantenga los alimentos precongelados en el compartimiento del congelador.

AVISO

Para fabricar hielo, ponga la cubeta de hielo directamente sobre la superficie del congelador. No ponga otras cosas sobre la cubeta de hielo mientras el agua se esté congelando. El agua se congelará más rápido si el interruptor de encendido/termostato está en el ajuste más frío de temperatura.

Retén de puerta para transporte

El retén de la puerta impide que esta se abra durante el movimiento del vehículo. No hay que usar cadenas, guías deslizantes ni ningún otro dispositivo.

Número de modelo y número de serie

Los números de modelo y de serie están en una etiqueta situada en el lado izquierdo dentro del refrigerador.

Operación

Este refrigerador está hecho para propósitos de refrigeración y funciona con energía de 12/24 VCC si se instala según se describe en este manual. El voltaje de alimentación correcto se encuentra en la placa de serie.

⚠ ATENCIÓN

No almacene nunca materiales combustibles cerca del refrigerador. El almacenamiento de materiales combustibles cerca del refrigerador crea riesgos a la seguridad y también reduce la ventilación del sistema refrigerante; esto, a su vez, afecta negativamente la capacidad de enfriamiento del refrigerador. No almacene ninguna sustancia explosiva en este refrigerador.

AVISO

Verifique que el voltaje indicado en la placa de especificaciones del refrigerador coincida con el aplicado por una fuente de alimentación externa.

La temperatura es controlada por un termostato ubicado dentro del refrigerador. Cuando el refrigerador está encendido, se ilumina una luz situada en el panel. El número "1" es el ajuste más caliente del termostato, mientras que el "5" es el más frío. Para obtener un funcionamiento eficiente, cambie los ajustes del termostato según los tipos de alimentos guardados y la temperatura ambiente.

Si no se va a usar el refrigerador durante un tiempo prolongado, ponga el termostato en la posición "OFF" (posición en sentido totalmente antihorario).

Sistema de protección

El circuito electrónico del refrigerador está diseñado con un sistema de protección contra sobrecorrientes, para evitar daños al inversor que podrían producirse a causa de conexiones de polaridad inversa.

Si el refrigerador no funciona y la luz interior no se enciende, revise el fusible (situado en el lado de la cubierta del inversor, en el vehículo) y la polaridad de la fuente de alimentación de CC. Si el refrigerador aún no funciona, podría haber otro problema en el inversor. Encargue la revisión del refrigerador a un centro de servicio autorizado de Norcold.



No ponga a funcionar el refrigerador solo con alimentación de batería. La batería se descargará si es la única fuente de alimentación del refrigerador. Suministre correctamente alimentación de CC al refrigerador.

El refrigerador recibe alimentación de CC del sistema de baterías del vehículo. El sistema de baterías también alimenta a cualquier otro accesorio o aparato de CC del vehículo.

Lista de comprobaciones para el cuidado del refrigerador

Para que el refrigerador le brinde años de funcionamiento sin problemas, realice las siguientes comprobaciones sencillas cada 3 a 6 meses:

- Mantenga limpios el compartimiento de alimentos y el congelador. Consulte "Limpieza".
- Descongele el refrigerador siempre que sea necesario. Consulte "Descongelación".
- Compruebe que la puerta cierre herméticamente. Consulte "Cierre hermético de la puerta".
- Esté pendiente de cualquier cambio de enfriamiento que no se deba al clima, a la carga introducida o a cambios en el termostato. Si hay cambios, comuníquese con su distribuidor o con un centro de servicio autorizado de Norcold.
- Compruebe que el aire fluya, libremente y sin obstrucciones, por la entrada de ventilación inferior y la salida de ventilación superior.

Descongelación

Las placas de congelación del refrigerador funcionan a temperaturas por debajo del punto de congelación, y por naturaleza forman escarchas debido a la humedad que siempre está presente en el aire. Los siguientes factores aumentan la humedad dentro del refrigerador:

- los aumentos de la temperatura exterior y de la humedad.
- el almacenamiento de alimentos frescos no tapados o de alimentos calientes.
- el tiempo que pasen abiertas las puertas.
- cualquier fuga de aire hacia el refrigerador.

Es normal que se acumule escarcha dentro del refrigerador. El exceso de escarcha disminuye la capacidad de enfriamiento del refrigerador. Descongele el refrigerador:

- Saque toda la comida del refrigerador.
- Apague el refrigerador.
- Ponga toallas secas dentro del refrigerador para ayudar a eliminar el exceso de agua.



Las altas temperaturas pueden hacer que las superficies interiores del refrigerador se deformen o se derritan. No use cacerolas de agua CALIENTE, secadores de pelo ni ningún otro aparato de altas temperaturas para acelerar la descongelación. No use objetos duros ni afilados para quitar la escarcha. Esto puede dañar el refrigerador.



Para aumentar la velocidad de descongelación, ponga cacerolas de agua TIBIA en el refrigerador.

- Quite las toallas húmedas y seque el interior.
- Encienda el refrigerador.
- Espere hasta que se enfríe el refrigerador.
- Vuelva a poner toda la comida en el refrigerador.

Limpieza

Un buen momento para limpiar el refrigerador es justo después de descongelarlo.

Limpie el interior del refrigerador tan a menudo como sea necesario para evitar los olores de los alimentos.

- Saque toda la comida del refrigerador.



No use limpiadores abrasivos, productos químicos ni estropajos, porque pueden dañar el interior del refrigerador.

- Lave el interior con un limpiador suave o una solución de detergente líquido para platos y agua tibia.
- Enjuague con una solución de bicarbonato de sodio y agua limpia.
- Seque con un paño limpio.
- Vuelva a poner toda la comida de vuelta en el refrigerador.

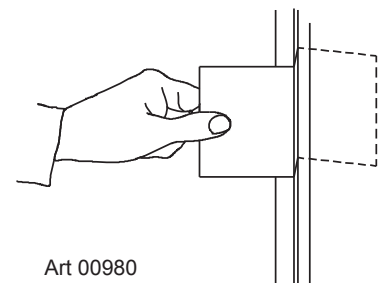
Para sacar y limpiar la bandeja de goteo:

- Compruebe que la bandeja de goteo esté vacía (sin agua).
- Hale la bandeja de goteo hacia abajo para sacarla de las ranuras del gabinete del refrigerador.
- Limpie la bandeja de goteo.

Cierre hermético de la puerta

Si la puerta no cierra herméticamente, se acumulará un exceso de escarcha dentro del refrigerador. Compruebe que la puerta se cierre herméticamente:

- Cierre la puerta con un trozo de papel de tamaño aproximado al de un billete de dólar (ver Art00980).
- Tire suavemente del papel.
- Debería sentirse una ligera resistencia entre la junta y el gabinete.
- Haga esto en los cuatro lados de la puerta.
- Si no siente una ligera resistencia en el papel, significa que la puerta no está cerrando herméticamente.
- Solicite a su distribuidor o a un centro de servicio autorizado de Norcold que corrijan el cierre hermético de la puerta.



Art 00980

Resolución de problemas

Si el refrigerador no enfría correctamente:

- Compruebe que el interruptor/termostato no esté apagado.
- Compruebe que el interruptor/termostato esté en el ajuste de temperatura deseado.
- Compruebe que la fuente de alimentación del refrigerador esté en buen estado.
- Compruebe que el fusible o interruptor automático esté intacto (consulte "Sistema de protección contra sobrecorriente").
- Compruebe que el refrigerador esté bien instalado y que las aberturas de ventilación no estén bloqueadas.
- Compruebe que la temperatura ambiente no esté inusualmente elevada (más de 110 °F/43 °C).
- Compruebe que la puerta esté cerrada.
- En caso de climas calientes, verifique que la puerta esté cerrando herméticamente.
- Compruebe la circulación del aire dentro del refrigerador no esté disminuida a causa de alimentos o estantes cubiertos.
- Compruebe que no se haya puesto comida caliente en el compartimiento de alimentos frescos del refrigerador.
- Compruebe que el congelador esté descongelado.

Si el refrigerador aún no funciona tras hacer estas comprobaciones, comuníquese con su distribuidor o con un centro de servicio autorizado de Norcold.

Uso del dispositivo de apagado contra calentamiento excesivo

El funcionamiento del refrigerador a altas temperaturas ambientales puede sobrecalentar la unidad refrigerante y causar fallas prematuras del compresor (consulte la etiqueta que está dentro del refrigerador).

Para proteger la unidad refrigerante contra calentamiento excesivo, el refrigerador se apagará automáticamente si la temperatura del módulo eléctrico supera los 212 °F (100 °C). El refrigerador no se reiniciará sino hasta que la temperatura del módulo eléctrico caiga por debajo de 176 °F (80 °C).

Sistema de protección contra bajo voltaje

Para evitar la descarga total de la batería, el refrigerador se apagará automáticamente si el suministro de voltaje de CC está demasiado bajo. El refrigerador se reiniciará únicamente cuando aumente el suministro de voltaje de CC. Los niveles de voltaje de apagado y reinicio son:

Operación con 12 VCC

Apagado 10.4 VCC

Reinicio 11.6 VDC

Operación con 24 VCC

Apagado 22.7 VCC

Reinicio 24.0 VCC

El refrigerador no funcionará si el suministro de voltaje de CC cae fuera de los límites antes mencionados.

Sistema de protección contra sobrecorriente

El circuito electrónico del refrigerador está diseñado con un sistema de protección contra sobrecorrientes, para proteger el inversor contra daños en caso de una conexión de polaridad inversa.

Si el refrigerador no funciona y la luz de alimentación verde no se enciende, revise el fusible (situado en línea con el conector de CC) y la polaridad de la fuente de alimentación de CC. Si el refrigerador aún no funciona, podría haber otro problema en el módulo eléctrico. Encargue la inspección del refrigerador a un centro de servicio autorizado de Norcold.

Lista de comprobaciones para el mantenimiento del refrigerador

Si el refrigerador no enfría correctamente:

AVISO

Norcold no se hace responsable de labores de instalación, ajuste, cambios, servicio o mantenimiento realizadas por nadie que no sea un centro de servicio autorizado de Norcold.

Encargue estas comprobaciones anuales de seguridad y mantenimiento a un centro de servicio autorizado de Norcold.

1. Compruebe que los voltajes de CC estén correctos (consulte el apartado "Requisitos de corriente eléctrica").
2. Las conexiones del cableado deben estar limpias, apretadas y sin corrosión. Si cualquiera de estos aspectos no está correcto:
 - Se producirá una caída de voltaje en el refrigerador.
 - La caída de voltaje disminuirá la capacidad de enfriamiento del refrigerador.

ATENCIÓN

Desconecte el cable positivo (+) de la fuente de alimentación de CC de la batería antes de hacerle a esta una "carga rápida". Si se deja conectado el cable positivo (+) de la fuente de alimentación de la batería durante una "carga rápida", se podrían dañar el refrigerador y/u otros electrodomésticos de 12 voltios de CC.

Lista de comprobaciones para el cuidado del refrigerador

El enfriamiento excesivo descarga la batería

Cuando la temperatura ambiente esté entre 70 °F y 90 °F (21 °C y 32 °C), mantenga el termostato en el ajuste "3" para evitar una descarga excesiva de la batería. Al fabricar hielo o guardar alimentos congelados, ponga el termostato en el ajuste más frío ("5").

Mantenga la batería

Si la batería no está bien cargada, disminuirá la capacidad de enfriamiento del refrigerador.

ATENCIÓN

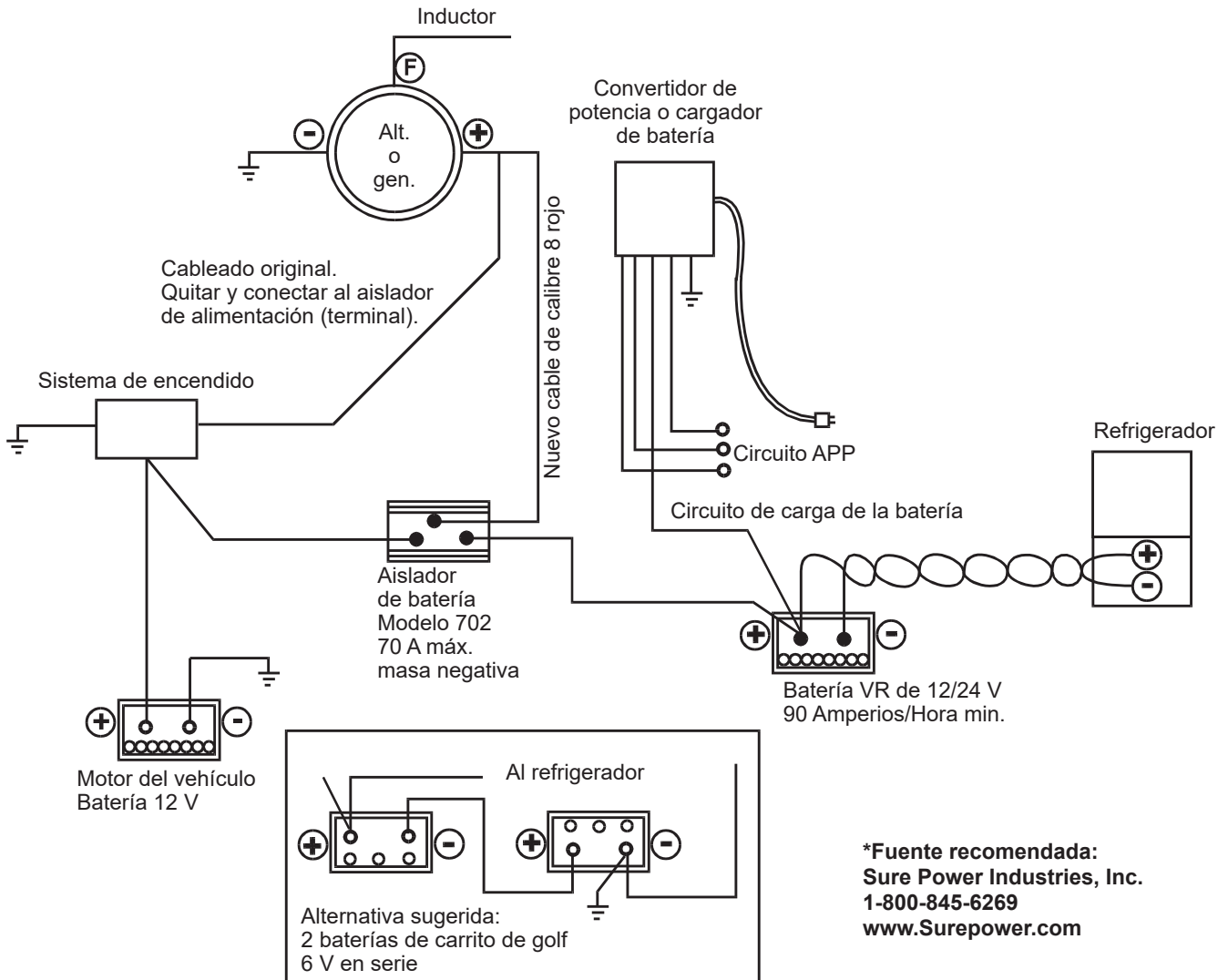
Únicamente use un "cargador rápido" en la batería si el termostato está apagado ("OFF").

Verifique el valor de densidad relativa de la batería

Una batería completamente cargada tiene una densidad relativa (gravedad específica) de entre 1.260 y 1.280. El voltaje de la batería se indica mejor cuando el refrigerador está encendido y el sistema de carga de la batería está apagado. Cargue la batería cuando el valor de densidad relativa caiga por debajo de 1.200.

Para su referencia

El diagrama eléctrico mostrado a continuación se recomienda para la conexión de dos baterías.



Art01516B

Piezas de repuesto

Podrá adquirir piezas de repuesto a través de su distribuidor o de un centro de servicio autorizado de Norcold.

Eliminación



Para reducir el riesgo de atrapamiento de niños, haga lo siguiente antes de desechar su refrigerador antiguo:

- Quítele las puertas al refrigerador.
- Deje los estantes en su lugar; esto dificultará que un niño trepe dentro del refrigerador.

Este refrigerador está marcado con este símbolo. Esto significa que no se deben mezclar los refrigeradores eléctricos y electrónicos usados junto con los residuos domésticos generales.



Si desea deshacerse de este refrigerador, comuníquese con las autoridades locales o con un distribuidor especializado para informarse sobre cómo hacerlo en seguimiento de las normas de eliminación aplicables.

El material aislante contiene ciclopentano. Los gases del material aislante requieren un procedimiento especial de eliminación. **Le rogamos comunicarse con las autoridades locales para informarse sobre cómo eliminar el refrigerador de una manera inocua para el ambiente.**

Instalación

El refrigerador se deberá colocar y fijar sobre una superficie sólida en el vehículo o embarcación.

Antes de instalar el refrigerador en la abertura, asegúrese de que el suministro de CC esté conectado correctamente.

Mida la abertura para determinar que haya un espacio libre adecuado para la instalación. No es necesario disponer de un espacio adicional de aislamiento alrededor del refrigerador.

Asegúrese de que el refrigerador no esté bajo la luz solar directa o cerca de una estufa de gas, un calentador u otro aparato generador de calor.

Evite instalar el refrigerador cerca de tubos de agua tibia o conductos de aire tibio.

Su refrigerador se sometió a una limpieza exhaustiva antes de enviarlo desde la fábrica. Sin embargo, se recomienda encarecidamente limpiar el interior una vez más antes de usarlo. Limpie el interior con un paño y agua tibia. Luego pásele un paño seco.

Configurar el recinto

Compruebe que el recinto sea del tamaño adecuado:

- Para el DC740: 20.5 pulg. (alto) x 15.25 pulg. (ancho) x 17.875 pulg. (prof.)
- Para el DC751: 20.5 pulg. (alto) x 18.5 pulg. (ancho) x 21 pulg. (prof.)

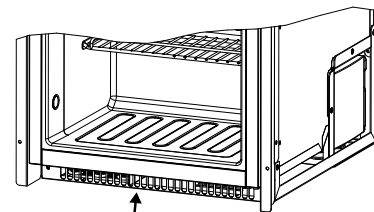
Compruebe que el piso sea sólido y esté nivelado:

- El piso del recinto debe ser un panel de madera o metal, que ocupe toda la anchura y profundidad del recinto y se extienda $1\frac{3}{8}$ pulgadas más allá de la parte frontal.
- El piso debe tener capacidad para aguantar el peso del refrigerador y todo su contenido.

Asegúrese de que no haya fuentes de calor adyacentes al refrigerador.

Requisitos de ventilación

Para que el refrigerador funcione correctamente, tiene que haber suficiente ventilación (flujo de aire) sobre el condensador montado en su parte inferior. Un aire más frío entra hacia un lado de la rejilla delantera inferior y pasa sobre el condensador. El aire elimina el calor del condensador, y el aire más caliente sale por el otro lado de la rejilla delantera inferior. Asegúrese de que la rejilla delantera inferior no esté bloqueada, para que el aire pueda pasar fácilmente por ella (consulte Art02325).



Rejilla frontal inferior Art02325



Si la ventilación no es adecuada, se descargará la batería rápidamente y el refrigerador tendrá una menor vida útil, capacidad de enfriamiento deficiente y un funcionamiento continuo; en consecuencia, se anulará la garantía.

Opciones de instalación

Para instalar un panel ornamental para la puerta

AVISO

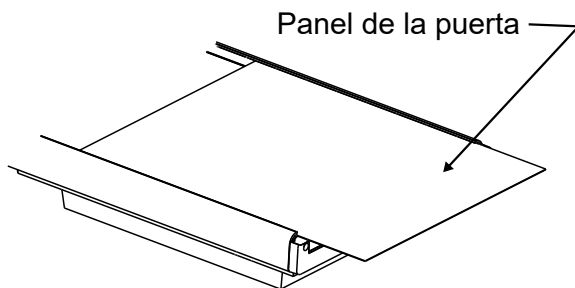
El panel ornamental de la puerta debe tener un grosor no mayor de 2.0 mm (0.08 pulg.).

1. Saque la puerta del refrigerador quitando los 4 tornillos que sujetan la bisagra de la puerta al fondo del refrigerador (Art02326).
2. Quite el retén del panel sacando los 3 tornillos que lo sujetan (Art02327).
3. Con cuidado, hale y saque el panel de la puerta (Art01895).
4. Empuje un nuevo panel de puerta en la ranura de la puerta.

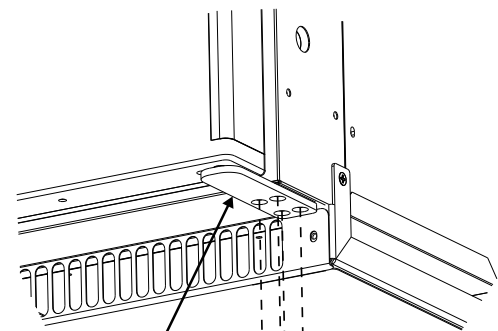


No apriete demasiado los tornillos y pernos.

5. Coloque el retén del panel en la ubicación original y sujételo con 3 tornillos.
6. Coloque la puerta en la ubicación original y apriete los 4 tornillos.

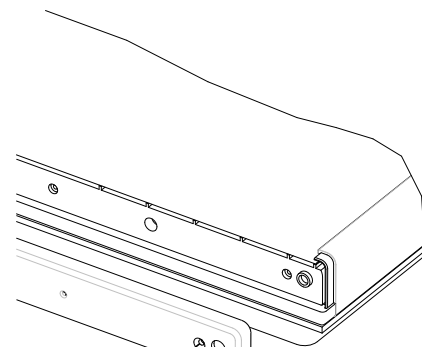


Art01895



Tornillos

Art02326



Art02327

Tornillo

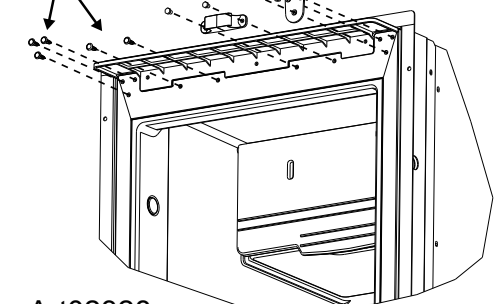
Para invertir la apertura de la puerta

1. Saque la puerta del refrigerador quitando los 4 tornillos que sujetan la bisagra de la puerta al fondo del refrigerador.
2. Abra la puerta y hálela y sáquela del pasador de la bisagra superior.
3. Saque los 3 tornillos que sujetan la bisagra superior (Art02328).
4. Saque los 3 tornillos que sujetan el retén al refrigerador.
5. Saque los tapones de orificios.
6. Sujete la bisagra superior y el retén de la puerta a los lados opuestos del refrigerador. Tape los orificios vacíos con los tapones de orificios.

Retén de puerta

Bisagra superior

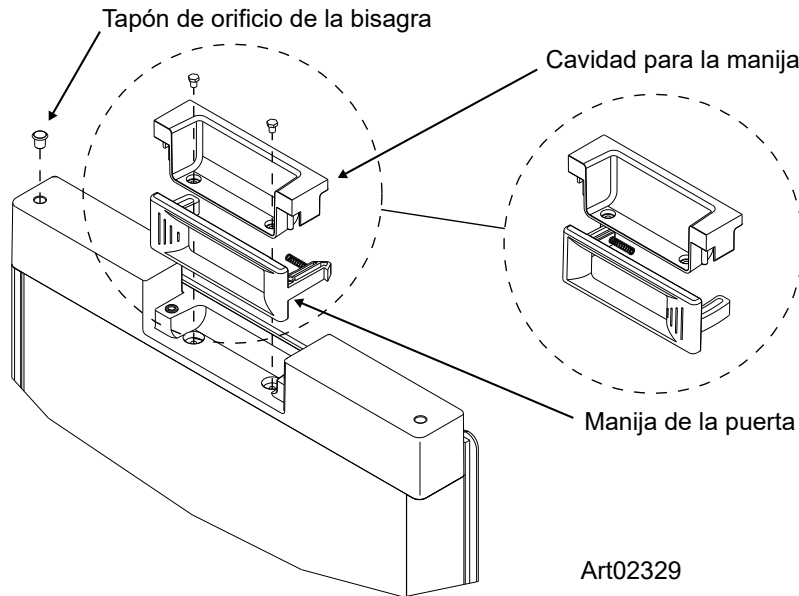
Tapones



Art02328

Para invertir la apertura de la puerta

7. Pase el retén al lado opuesto de la puerta (Art02329):
 - Saque los 2 tornillos que sujetan el conjunto de manija de la puerta a la puerta.
 - Con cuidado, hale y saque la manija de la puerta del bolsillo de esta, de manera que no se extravíe el resorte adjunto.
 - Vuelva a instalar el conjunto de la manija en la puerta con los 2 tornillos.
 - Saque el tapón de orificio de la bisagra; ponga el tapón en el orificio del extremo opuesto de la puerta.
8. Ponga la puerta en el refrigerador y verifique que la junta selle correctamente.
9. Instale y apriete los 4 tornillos que sujetan el pasador de la puerta a la parte inferior del refrigerador.



Conectar los componentes eléctricos

Requisitos de corriente eléctrica

12 V CC / 24 V CC

12 VCC mínimo / reinicio (corte de activación) / máximo.....	10.9 VCC / 12.2 VCC / 17 VCC
24 VCC mínimo / reinicio (corte de activación) / máximo.....	23.8 VCC / 25.2 VCC / 31.5 VCC
Fusible.....	15 A / 7.5 A

Este refrigerador funciona con fuentes de electricidad de CC. Su operación fuera de estos límites podría dañar los componentes eléctricos del equipo y anulará la garantía.

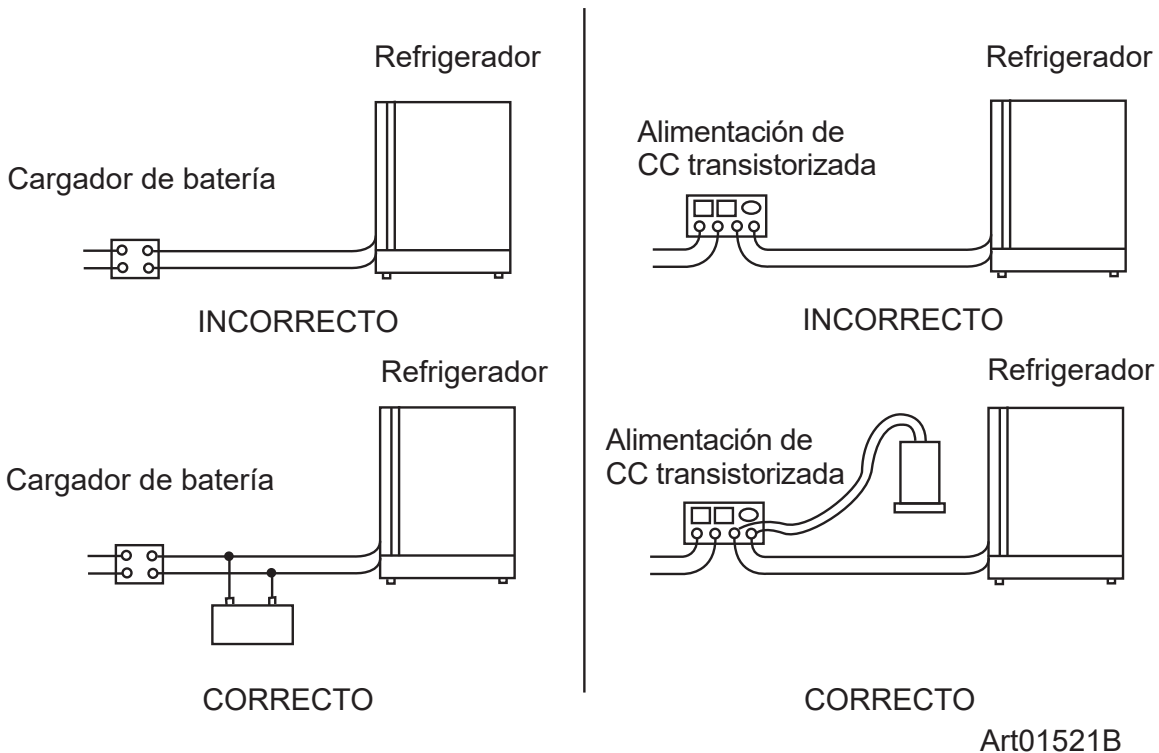
No haga cambio alguno en ninguno de los cables eléctricos suministrados con el refrigerador. Cualquier cambio que se le haga al cableado eléctrico anulará la garantía.

Conexión de la fuente de alimentación de 12/24 VCC

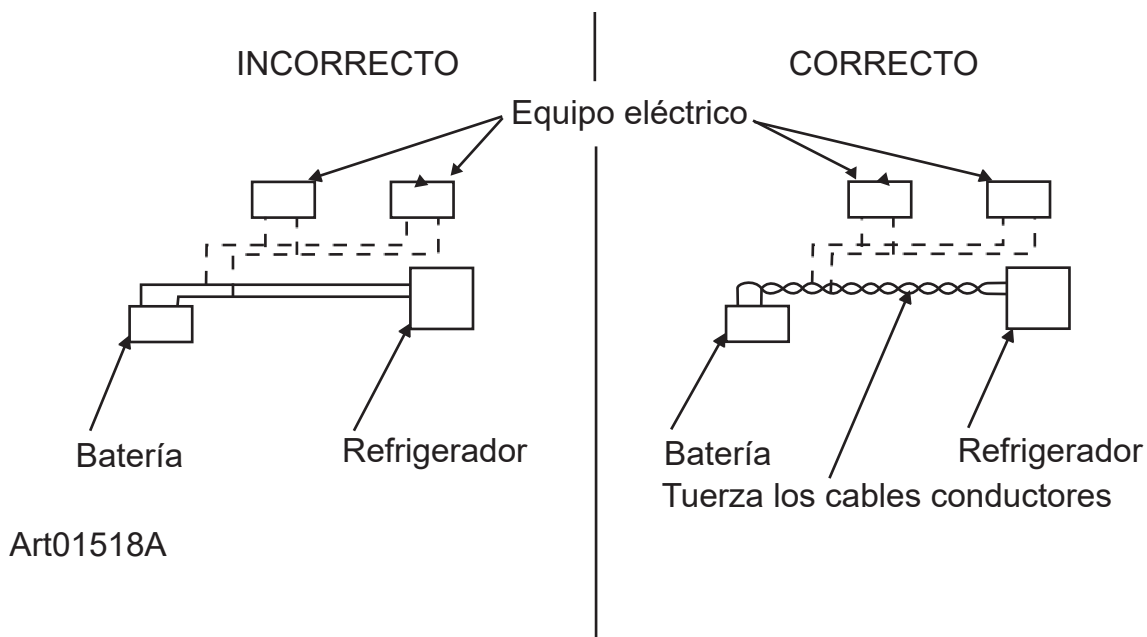


Únicamente conecte el refrigerador directamente a la batería. No debe haber ningún otro interruptor, cable o equipo eléctrico compartiendo el cableado entre el refrigerador y la batería; a menudo, estos dispositivos generan impulsos de alto voltaje y causan defectos en los transistores del módulo de control.

Al usar un convertidor o un cargador de batería, asegúrese conectarlos en paralelo entre la batería y el refrigerador. No use un convertidor o cargador de batería para suministrar la alimentación de CC directamente al refrigerador, ya ninguno de estos dispositivos suministran alimentación de CC filtrada (Art01521).



1. Tuerza los cables a fin de evitar interferencias radioeléctricas y la inducción de sobrevoltajes desde el exterior (Art01518).
2. Conecte la fuente de alimentación de CC.



NORCOLD®

Información de servicio

Si se requieren partes o labores de servicio, comuníquese con el centro de servicio de Norcold más cercano. Para encontrar un centro de servicio cercano autorizado por Norcold, visite nuestro sitio web en www.norcold.com o llame al Departamento de Atención al Cliente de Norcold al 1-800-543-1219.