



# Owner's Manual

For models N10DCX - 10 cubic foot and N8DCX- 8 cubic foot, DC electric refrigerators.

The letter "X", in the model numbers above, stands for letters or numerals which means a refrigerator option.

**English**

NORCOLD, Inc.  
P.O. Box 4248  
Sidney, OH 45365-4248

Norcold Customer Support Dept.  
Telephone: 800-543-1219  
Fax: 937-497-3183  
Web Site: [www.norcold.com](http://www.norcold.com)

## Table of Contents

---

Norcold DC Models - Warranty Policy .....	2
Norcold DC Models - Warranty Information.....	3
Norcold DC Models - Warranty Questions .....	3
Safety Awareness.....	3
Safety Instructions.....	4
About Your Refrigerator .....	4
Usage.....	4
Storage volume .....	4
Food compartment.....	5
Freezer compartment.....	5
Door latch for travel.....	5
Interior light.....	5
Crispers .....	5
Door Bins.....	6
Adjustable shelves .....	6
Operation.....	6
Controls.....	6
Shut down .....	7
Refrigerator Care Checklist .....	7
Defrosting .....	8
Cleaning .....	8
Door Sealing.....	9
Troubleshooting.....	9
If refrigerator does not cool correctly in DC mode.....	9
Over heating shut-off device operation .....	10
Low voltage protection system .....	10
Over current protection system .....	10
Refrigerator Maintenance Checklist .....	10
Replacement Parts.....	10
Wiring Pictorial.....	11

## NORCOLD DC ONLY Models - One Year Limited Warranty

---

Norcold, Inc. warrants for a period of one (1) year from the date of purchase that Norcold, Inc. will repair or replace its DC refrigerators.

### Limitations of Warranty

1. This warranty is the only warranty for Norcold DC refrigerators. This warranty does not cover glassware, electric light bulbs or replaceable fuses.
2. This warranty does not apply to refrigerators or component parts that have been subjected to misuse, improper installation, abnormal service, transit damage, recharging of cooling unit system, accident, fire, improper repair, tampering or abuse.
3. The duration of any implied warranty is limited to one (1) year.
4. Some states do not allow limitations on how long an implied warranty lasts, so the above limitation may not apply to you.

### Limitations of Remedy

1. The responsibility of Norcold under this or any warranty is limited to the repair or replacement (at Norcold's option) of any defective refrigerator or component part.
2. **In no event and under no circumstances shall Norcold be responsible for any other charge whatsoever, including but not limited to charges or claims for labor, lost business, lost time, lost profits, loss of use, or any kind of incidental or consequential damages, however denominated or described.**
3. Some states do not allow for the exclusion or limitation of incidental or consequential damages, so the above exclusion may not apply to you.

**To obtain warranty service**, contact Norcold Customer Service at (800) 543-1219 or visit our website at [www.norcold.com](http://www.norcold.com).

### Legal Rights

This warranty gives you specific legal rights, and you may have other legal rights which vary from state to state.

## Norcold DC only and AC/DC Models - Warranty Information

---

Your refrigerator is made to provide the ultimate in cooling satisfaction and will serve you reliably in the years to come. Norcold refrigerators offer a standard limited one or two-year warranty dependent on the model.

To activate your one year limited warranty, complete and mail the warranty registration supplied.

Help us to help you.

Write the model number and serial number below for future reference. These numbers are on the serial plate in the refrigerator. The serial plate is located in the fresh food compartment on the top right hand side. Use these numbers when receiving service or in any correspondence concerning your refrigerator.

Model number \_\_\_\_\_ Serial number \_\_\_\_\_

If a problem occurs with your refrigerator, contact any of the service centers throughout the United States and Canada. To find an authorized Norcold Service Center near you, please telephone the Norcold Customer Support Dept. at 800-543-1219 (option-1) or visit our web site at [www.norcold.com](http://www.norcold.com).

Norcold is committed to providing products that are in harmony with the environment. Your Norcold refrigerator meets all environmental safety standards.

## Norcold DC only and AC/DC Models - Warranty Questions

---

This warranty is the only warranty for your Norcold refrigerator. There are no other express warranties. The only uses for this product are described in this manual. Part or model specifications are subject to change without notice.

### What does this warranty cover?

This warranty covers labor and freight (ground service only) and costs incurred in removing and reinstalling the refrigerator when necessary to replace a defective part and any parts replaced under warranty (including cooling units).

### What is not covered by this warranty?

- Travel expenses for bringing the refrigerator to an authorized Norcold Service Center for warranty coverage.
- Additional costs caused by the inability to bring the refrigerator to an authorized Norcold Service Center.
- Defects which are caused by transit damage, misuse, neglect, or accident.
- Manufacturing defects found at the time of purchase, parts replaced under warranty, and associated labor, which the original consumer-purchaser does not communicate to Norcold within 30 days.
- Labor, performed without need for parts replacements, which the original consumer-purchaser does not communicate to Norcold within 30 days.
- Defects in glassware, electric light bulbs, or replacement fuses.
- Defects caused by improper installation, maintenance, or adjustment.
- Normal maintenance of this refrigerator as described in this manual.
- Defects caused by the improper use of parts or parts not manufactured or supplied by Norcold for repairs or replacements to the refrigerator.

Norcold will not be liable for any incidental or consequential loss or damage, due directly or indirectly to the use of this product. Some states do not allow the exclusion or limitation of incidental or consequential damages, so the above may not apply to you.

### How long does this warranty last?

This warranty is effective for a period of one or two years from date purchased dependent on the model.

### What will Norcold do?

Norcold will provide free service and replacement of defective parts, at no charge, at all authorized Norcold Service Centers. Norcold has the option of replacing the defective parts or the entire refrigerator. If the refrigerator is replaced, Norcold is not responsible for replacing dealer installed options.

### How do you get service?

Bring the refrigerator to any authorized Norcold Service Center and show proof that the defective item is within warranty coverage.

If you are unable to bring the refrigerator to an authorized Norcold Service Center:

- Send a written notice of the defect to Norcold.
- Norcold will promptly advise you how to obtain warranty service.

### What rights do you have?

This warranty gives you specific legal rights. You may also have other rights which vary from state to state.

## Safety Awareness

---

Read this manual carefully and understand the contents before you use the refrigerator.

Be aware of possible safety hazards when you see the safety alert symbol on the refrigerator and in this manual. A signal word follows the safety alert symbol and identifies the danger of the hazard. Carefully read the descriptions of these signal words to fully know their meanings. They are for your safety.



This signal word means a hazard, which if ignored, can cause dangerous personal injury, death, or much property damage.




This signal word means a hazard, which if ignored, can cause personal injury or much property damage.

## Safety Instructions

---



- The storage of flammable materials behind or around the refrigerator creates a fire hazard. Do not use the area behind the refrigerator to store anything, especially flammable materials (gasoline, cleaning supplies, etc.) This is especially important when converting from a gas absorption refrigerator.
- Do not store any explosive substance, such as aerosol cans with flammable propellant, in this refrigerator.
- A circuit overload can result in an electrical fire if the wires and/or fuses are not the correct size. Use only the wire and fuse sizes as written in the "Installation Manual".
- Never open or damage the refrigerator circuit of the cooling system at the back or the inside of your appliance. The cooling system is pressurized and contains flammable substances.
- Component parts shall be replaced with like components and that servicing shall be done by factory authorized service personnel, so as to minimize the risk of possible ignition due to incorrect parts or improper service.
- Risk of Fire and explosion with flammable refrigerant R600a. 
- Keep Ventilation openings, in the appliance or in the built -in structure, clear of obstruction.
- Do not use mechanical devices or other means to accelerate the defrosting process, other than those recommended by the manufacturer.
- Do not use electrical appliances inside the food storage compartments of the appliance, unless they are of the type recommend by the manufacturer.
- Handling, moving and use of the refrigerator or freezer to avoid either damaging the refrigerant tubing, or increasing the risk of a leak.
- Risk of child entrapment. Before you throw away your old refrigerator or freezer: Take off the doors and leave the shelves in place so that the children may not easily climb inside.



- Incorrect installation, adjustment, change to, or maintenance of this refrigerator can cause personal injury, property damage, or both. Have service and maintenance work done by your dealer or by an authorized Norcold Service Center.
- Disconnect the DC power source before doing any maintenance work on the refrigerator. All service work on this refrigerator must be done by a qualified service technician.
- Do not bypass or change the refrigerator's electrical components or features.
- Do not spray liquids near electrical outlets, connections, or the refrigerator components. Many liquids are electrically conductive and can cause a shock hazard, electrical shorts, and in some cases fire.
- The rear of the refrigerator has sharp edges and corners. To prevent cuts or abrasions when working on the refrigerator, be careful and wear cut resistant gloves.
- This appliance is not intended for use by persons (including children) with reduced physical, sensory or mental capabilities, or lack of experience or knowledge, unless they have been given supervision or instruction concerning use of the appliance by a person responsible for their safety. Children should be supervised to ensure that they do not play with the appliance.
- Build-up of dust on the condenser will reduce the performance of the appliance and increase the risk of overheating of the cooling system. Have the condenser and cooling fan cleaned by qualified service personel if you suspect poor performance.
- Risk of Fire or explosion due to flammable refrigerant used. Follow handling instructions carefully in compliance with U.S. Government Regulations.

## About Your Refrigerator

---

### Usage:

This refrigerator is made for use within a recreational vehicle. As such, it is suitable for camping, but do not expose the refrigerator to rain.

### Storage Volume:

This refrigerator is made to store fresh and frozen foods and for making ice.

Total capacity N10DC	9.7 cubic feet	Calculated according to ANSI/AHAM-HRF-1-1988
Total capacity N8DC	8.2 cubic feet	Calculated according to ANSI/AHAM-HRF-1-2016



The refrigerator is made to operate within 10° off level in all directions. Operating it at more than these limits can cause damage to the cooling system, increased noise and poor cooling performance. Make sure the vehicle is level before you operate the refrigerator.

### Operation during travel:

While the refrigerator should be level when the vehicle is stopped, performance during travel is not usually affected.

### Food compartment:

Start up the refrigerator and let it cool for eight hours before loading with food. If the refrigerator does not start to cool down after about two hours, contact your dealer or an authorized Norcold Service Center.

For the best cooling performance:

- Let air move freely inside the entire food and freezer compartments.

To decrease the amount of ice that collects on the rear wall of the refrigerator freezer and fresh food.

- Cover all liquids and moist foods.
- Let all hot foods cool before putting them in the refrigerator.
- Do not open the door any longer than necessary.

### Freezer compartment:

The freezer compartment is made to keep pre-frozen food frozen and not to quick freeze food. Keep pre-frozen foods in the freezer compartment.

#### NOTICE

*NOTE: When making ice, put the ice cube tray directly on the bottom of freezer. Do not put other items on the ice cube tray while the water is freezing. The water freezes more rapidly if the power switch / thermostat is at the coldest temperature setting.*

### Door latch for travel:

During travel, the door latch prevents the door from opening. When closing each door, push the door toward the refrigerator until you hear a "click" sound. To open each door, pull the handle away from the refrigerator.

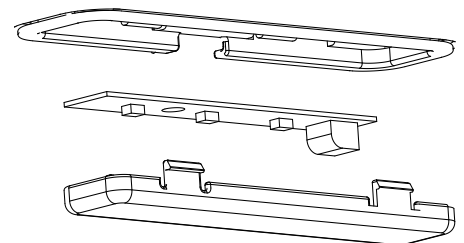
### Interior light:

The interior light is located on the top of the fresh food compartment.

The interior light comes on when the refrigerator is ON and the door is open.

To replace the bulb:

1. Use tape to hold the light switch down, which removes power from the light circuit.
2. Remove the cover by pulling it toward the front of the refrigerator (See Art02734).
3. Unplug wire harness connector.
4. Install the replacement light



ART 02734

5. Install the cover.

6. Remove the tape from the light switch.

### Crisper(s):

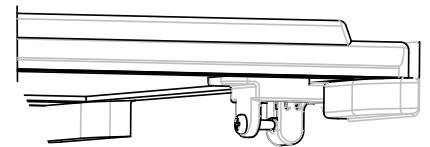
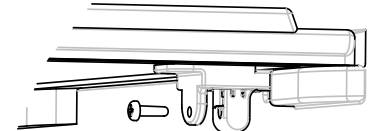
The crisper(s) are located at the bottom of the fresh food compartment and supply a storage area to preserve fruit and vegetable freshness. Make sure that you always push the crispers fully in.

**NOTICE** Do not wash the crispers in a dishwasher. The crispers are not dishwasher safe.

### Door bins:

You may put the door bins of the freezer and fresh food compartment in a location that best meets your needs. To remove the bins, lift them over the locator and pull them away from the door. To install the bins, push them onto the locator.

**NOTICE** Do not wash the door bins and bin slides in a dishwasher. The door bins and bin slides are not dishwasher safe.



ART 02733

### Adjustable shelves:

The shelves in the freezer and the fresh food compartment are made so you can remove them or move them. To remove or move each shelf of the fresh food compartment and freezer: (ART 02733)

- Remove the screw from the retainer of each shelf at the side of the refrigerator.
- Slide the retainer out of the slot (cabinet shelves only)
- Pull each shelf forward out of the slot.
- Push each shelf fully into the slot that you wish.
- Slide the retainer into the slot (cabinet shelves only)
- Attach the retainer with the screw.

## Operation

### Controls:

-Touch and release the ON/OFF [1] button to turn the refrigerator on. (ART02735)

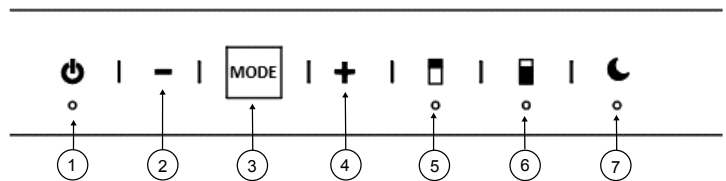
- If the indicator light, below the button, glows solid blue, it means the refrigerator is operating correctly.

**NOTICE** The freezer compartment and cabinet compartment work independent of each other and both must be adjusted to their desired temperature setting.

- Touch the FREEZER COMPARTMENT [5] button to set the compartment temperature setting.

-Using the + [4] or – [2] buttons adjust the temperature setting.

- The mode [3] will display the temperature setting
  - 0 is off
  - 1 is the warmest setting
  - 5 is the coldest setting



ART 02735

- Touch the CABINET COMPARTMENT [6] button to set the compartment temperature setting.
  - Using the + [4] or – [2] buttons adjust the temperature setting.
    - The mode [3] will display the temperature setting
      - 0 is off
      - 1 is the warmest setting
      - 5 is the coldest setting
- Press any button to return the control to activate mode, the mode [3] will illuminate. The display will return to standby mode after 5 seconds.
- Touch the NIGHT MODE [7] button to set the refrigerator to night mode. The blue indicator will illuminate.
- Night mode will turn off automatically after eight hours or if you push the night mode button again to turn the blue indicator light off.
- This 8 hour night mode setting can be changed by pressing the night mode button for 3 seconds. After the 3 seconds, the default 8 hours will be shown in the display . To change this setting, press the “+” or “-”, then press night mode button to make the setting go into effect.
- The new setting is archived in the memory until it is changed.

**Shut down:**

- To shut down the refrigerator, touch and hold the ON/OFF button [1] for 5 seconds and release.
- Once the refrigerator is turned OFF there is a 5 minute wait cycle before the refrigerator can be turned ON. The refrigerator will not turn on again until the 5 minute wait is up.



**Do not operate the refrigerator when the ambient temperature is above 140°F operation above recommended ambient temperatures can cause permanent damage to the compressor. Operation when the ambient temperature is higher than 110°F can result in poor cooling performance.**

**DC Operation Guidelines:**

Refer to the installation Manual for DC Operation requirements and guidelines.

**Refrigerator Care Checklist**

---

Your refrigerator will give you years of trouble free service if you do these simple checks every three to six months:

- Keep the food compartment and the freezer clean. See “Cleaning”.
- Defrost the refrigerator as necessary. See “Defrosting”.
- Make sure the door seals correctly. See “Door Sealing”.
- Be aware of any cooling changes that are not because of weather, loading, or thermostat changes. If changes occur, contact your dealer or an authorized Norcold Service Center.
- Make sure the air flow in the lower intake vent, through the refrigerator condenser and coils and out the upper exhaust vent is not blocked or decreased.

## Defrosting:

The freezer walls of the refrigerator operate at below freezing temperature and will naturally form frost from humidity, which is always present in the air. The humidity inside the refrigerator increases:

- with higher outside temperature and humidity.
- with the storage of non-sealed fresh foods or warm foods.
- with the amount of time that the door(s) are open.
- with any air leakage into the refrigerator.

It is normal for frost to collect inside the refrigerator. Excess frost decreases the cooling performance of the refrigerator. Defrost the refrigerator as necessary:

- Remove all food from the refrigerator.
- Turn the refrigerator OFF.

### **NOTICE**

*Defrosting the refrigerator makes excess water inside the refrigerator, which falls onto the drip tray and flows to the outside of the refrigerator through the drain tube.*

- Put dry towels (etc.) inside the refrigerator to help remove the excess water.



**High temperatures can cause the inside surfaces of the refrigerator to warp or melt. Do not use pans of HOT water, a hair dryer, or any other high temperature devices to defrost the refrigerator. Do not use any hard or sharp objects to remove frost. Damage to the interior of the refrigerator can occur.**

- To increase the speed of defrosting, put pans of WARM water in the refrigerator.
- Remove the wet towels (etc.) and dry the interior.
- Start up the refrigerator.
- Allow the refrigerator to cool down.
- Return all food to the refrigerator.

## Cleaning:

A good time to clean the refrigerator is just after you defrost it.

Clean the inside of the refrigerator as often as necessary to avoid food odors:

- Remove all food from the refrigerator.

### **NOTICE**

*Do not use abrasive cleaners, chemicals, or scouring pads because they can damage the interior of the refrigerator.*

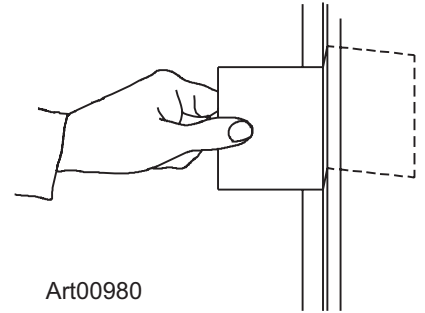
- Wash the interior with a mild cleaner or a solution of liquid dish detergent and warm water.
- Rinse with a solution of baking soda and clean water.
- Dry with a clean cloth.
- Put all food back into the refrigerator.



## Door sealing:

If the door does not seal correctly, excess frost will collect inside the refrigerator. Make sure the door seals correctly:

- Close the door on a piece of paper that is about the size of a dollar bill (See Art00980).
- Gently pull the paper.
  - You should feel a slight drag between the gasket and the cabinet.
  - Do this on all four sides of the door.
  - If you do not feel a slight drag on the paper, the door is not sealing correctly.
  - Have your dealer or an authorized Norcold Service Center correct the seal of the door.



## Refrigerator Storage:

Before the refrigerator is stored for an extended (seasonal) period of time:

- Defrost and clean the interior of the refrigerator
- Leave doors open or cracked

## Troubleshooting

---

### If the refrigerator does not cool correctly in DC mode:

- Make sure the power switch is not in the OFF position.
- Make sure the compartment control is at the temperature setting that you wish.
- Make sure that the power source to the refrigerator is serviceable.
- Make sure that the fuse or circuit breaker is intact (See "Over current protection system")
- Make sure that the refrigerator is correctly installed and that the built in vents are not blocked.
- Make sure that the ambient temperature is not unusually high (more than 110° F. / 43° C.) (See "Over heating shut-off device operation").
- Make sure that the doors are closed.
- Make sure that the door gaskets are sealing correctly.
- Make sure that the air circulation inside the refrigerator is not decreased by foods or by shelves that are covered with plastic, paper, etc.
- Make sure that hot foods were not placed in the fresh food compartment of the refrigerator.- Make sure that the freezer is defrosted.

After you make these checks, if the refrigerator does not operate, contact your dealer or an authorized Norcold Service Center.

### Over heating shut-off device operation:

Operating the refrigerator in high ambient temperatures can over heat the cooling unit and cause premature failure of the compressor (See the label inside the refrigerator).

To protect the cooling unit from over heating, the refrigerator will automatically shut-off when the temperature of the power module is higher than 212° F (100° C). The refrigerator will not restart until the temperature of the power module is lower than 176° F. (80° C).

### Low voltage protection system:

The voltage required to start the refrigerator initially is 10.9 volts. In order to prevent completely draining the battery, the refrigerator will automatically shut-off when the DC supply voltage becomes too low. The refrigerator will not restart until the DC supply voltages increases. These shut-off and restart voltage levels are:

12VDC Operation

Shut-off 10.4 VDC

Restart 11.8 VDC

### Over current protection system:

Your refrigerator has an over current protection system in the electronic circuit to prevent damage to the inverter which may occur due to a reverse polarity connection.

If the refrigerator does not operate and the blue power light does not come on, check the fuse, which is located in-line with the DC connector, and the polarity of the DC power supply. If the refrigerator still does not operate, another problem can exist in the power module. Have an authorized Norcold Service Center check the refrigerator.

## Refrigerator Maintenance Checklist

---

Read and understand the following maintenance sections of this manual.

### **NOTICE**

**Norcold is not responsible for installation, adjustment, alteration, service, or maintenance performed by anyone other than an authorized Norcold Service Center.**

Have an authorized Norcold Service Center do these annual safety and maintenance checks:

- Make sure the DC voltages are correct (See the "Electrical current necessary" section).
- The wire connections must be clean, tight and free of corrosion. If any of these items are not correct:
  - A voltage drop to the refrigerator will occur.
  - The voltage drop will decrease the cooling performance of the refrigerator.

### **CAUTION**

**Disconnect the positive (+) DC power supply wire from the battery before you do a "fast charge" of the battery. Failure to disconnect the positive (+) power supply wire from the battery during a "fast charge" can cause damage to the refrigerator or other 12 volt DC appliances.**

- Make sure the area at the rear of the refrigerator is free of anything, especially combustible materials, gasoline, and other flammable vapors and liquids.

## Replacement Parts

---

You may purchase replacement parts through your dealer or an authorized Norcold Service Center.

### **CAUTION**

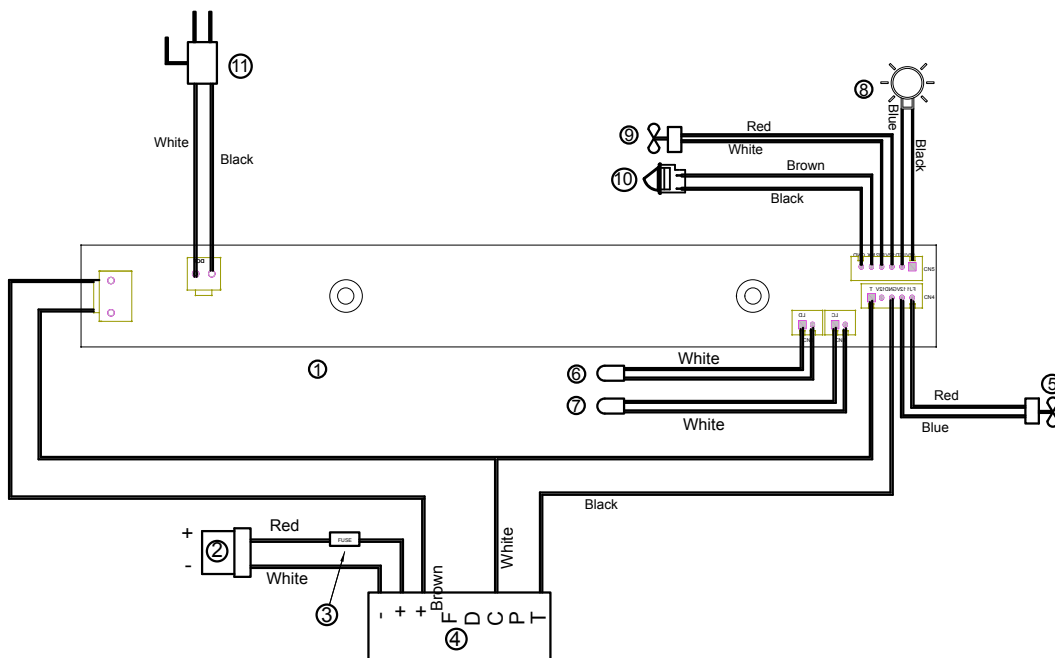
**If the supply cord is damaged, it must be replaced by the manufacturer, its service agent or similarly qualified persons in order to avoid a hazard.**

- The LED lamps can only be replaced by the manufacturer, together with part of the appliance.

# Wiring Pictorial

The parts of the wiring pictorial are (See Art2739):

- 1..... User Interface Control Board
- 2..... Input Power 12VDC
- 3..... Fuse 15A
- 4..... Compressor Power Module
- 5..... Exterior Fan
- 6..... Freezer Thermistor
- 7..... Fresh Food Refrigerator Thermistor
- 8..... Interior Light
- 9..... Interior Fan
- 10..... Interior Light Switch
- 11..... Diverter Valve



ART 02739

# NORCOLD®



## Manuel d'utilisation

Pour les modèles N10DCX - 10 pieds cubes et N8DCX - 8 pieds cubes, réfrigérateurs électriques CC.

La lettre « X », dans les numéros de modèle ci-dessus, représente des lettres ou chiffres correspondant à une option de réfrigérateur.

**Français**

NORCOLD, Inc.  
P.O. Box 4248  
Sidney, OH 45365-4248

Service après-vente Norcold  
Téléphone : 800-543-1219  
Télécopieur : 937-497-3183  
Site Web : [www.norcold.com](http://www.norcold.com)

## Table des matières

---

Modèles Norcold CC – Politique de garantie.....	2
Modèles Norcold CC – Informations sur la garantie.....	3
Modèles Norcold CC – Questions sur la garantie .....	3
Signalisation de la sécurité.....	3
Consignes de sécurité.....	4
Le réfrigérateur.....	4
Utilisation.....	4
Volume d'entreposage.....	4
Compartiment pour les aliments.....	5
Compartiment congélateur.....	5
Loquet de porte pour le voyage.....	5
Éclairage intérieur .....	5
Bacs à légumes.....	5
Bacs de portes .....	6
Clayettes réglables.....	6
Fonctionnement.....	6
Commandes.....	6
Mise à l'arrêt.....	7
Liste de contrôles de l'état du réfrigérateur .....	7
Dégivrage.....	8
Nettoyage.....	8
Fermeture étanche de la porte .....	9
Dépannage.....	9
Si le réfrigérateur ne refroidit pas correctement en mode CC.....	9
Fonctionnement du dispositif d'arrêt en cas de surchauffe .....	10
Système de protection contre les basses tensions .....	10
Système de protection contre les surintensités.....	10
Liste de contrôles de l'entretien du réfrigérateur .....	10
Pièces de rechange.....	10
Schéma de câblage.....	11

## Modèles NORCOLD CC SEULEMENT – Garantie limitée d'un an

---

Norcold, Inc. garantit pour une période d'un (1) an à compter de la date d'achat que Norcold, Inc. réparera ou remplacera ses réfrigérateurs CC.

### Restrictions de la garantie

1. La présente garantie est la seule applicable à un réfrigérateur Norcold CC. Elle ne couvre pas la verrerie, les ampoules électriques ou les fusibles remplaçables.
2. La présente garantie ne s'applique pas aux réfrigérateurs ou pièces qui ont fait l'objet d'une mauvaise utilisation, d'une installation incorrecte, d'un entretien insuffisant, de dommages pendant le transport, de recharge du système frigorifique, d'un accident, d'un incendie, d'une réparation inappropriée, d'une intervention intempestive ou d'un usage abusif.
3. La durée de toute garantie implicite est limitée à un (1) an.
4. Certains états ne permettent pas de limitations sur la durée d'une garantie implicite de sorte que la limitation ci-dessus peut ne pas s'appliquer à vous.

### Restrictions de recours

1. La responsabilité de Norcold en vertu de la présente garantie ou de toute autre garantie se limite à la réparation ou au remplacement (à la discrétion de Norcold) du réfrigérateur ou de la pièce présentant un défaut.
2. **Norcold décline toute responsabilité pour ce qui est des autres frais y compris, mais sans s'y limiter, frais ou demandes d'indemnité au titre de main-d'œuvre, perte d'exploitation, temps mort, manque à gagner, perte d'emploi ou tous dommages accessoires ou indirects, quelle qu'en soit l'appellation ou la description.**
3. L'exclusion ou la restriction des dommages accessoires ou indirects n'étant pas autorisée dans toutes les circonscriptions, les clauses restrictives ci-dessus ne s'appliquent pas à tous les utilisateurs.

**Pour obtenir un service de garantie**, contacter le service à la clientèle de Norcold au (800) 543-1219 ou visiter notre site Web à [www.norcold.com](http://www.norcold.com).

### Droits juridiques

La présente garantie confère des droits juridiques particuliers auxquels peuvent s'ajouter d'autres droits variant selon les circonscriptions.

## Modèles Norcold CC seulement et CA/CC – Informations sur la garantie

---

Le réfrigérateur est conçu pour offrir satisfaction, fiabilité et longévité optimales. Les réfrigérateurs Norcold offrent une garantie limitée standard d'un ou deux ans selon le modèle.

Pour que la garantie limitée d'un an puisse entrer en vigueur, la fiche de garantie fournie doit être remplie et envoyée.

Pour faciliter le processus, suivre la procédure ci-après.

Inscrire les numéros de modèle et de série ci-dessous pour pouvoir s'y reporter par la suite. Ces numéros figurent sur la plaque d'identification située à l'intérieur du réfrigérateur. Celle-ci se trouve dans le compartiment de denrées fraîches en haut et à droite. Mentionner ces numéros pour toute demande d'assistance technique ou dans toute correspondance concernant le réfrigérateur.

Numéro de modèle \_\_\_\_\_ Numéro de série \_\_\_\_\_

En cas de problème avec le réfrigérateur, contacter un des centres de service après-vente des États-Unis et du Canada. Pour trouver le centre Norcold le plus proche, prière de téléphoner au service après-vente Norcold, au 800-543-1219 (option 1) ou de rendre visite à notre site Web, [www.norcold.com](http://www.norcold.com).

Norcold tient à ce que ses produits soient en harmonie avec l'environnement. Ce réfrigérateur Norcold satisfait toutes les normes de protection de l'environnement.

## Modèles Norcold CC seulement et CA/CC – Questions sur la garantie

---

La présente garantie est la seule applicable à ce réfrigérateur Norcold. Aucune autre garantie expresse ne s'applique. Les seuls emplois autorisés de ce produit sont décrits dans ce manuel. Les caractéristiques techniques concernant les pièces ou les modèles sont sujettes à modification sans préavis.

### Portée de la garantie

La présente garantie couvre la main-d'œuvre et le transport (au sol seulement) ainsi que les frais encourus lors de la dépose et la réinstallation du réfrigérateur requises en vue du remplacement d'une ou de plusieurs pièces présentant un vice sous garantie (frigorifères compris).

### Exclusions de la garantie

- Frais de transport du réfrigérateur jusqu'à un centre de service après-vente agréé Norcold pour prestations de la garantie.
- Frais supplémentaires causés par l'incapacité d'amener le réfrigérateur à un centre de service après-vente agréé Norcold.
- Défauts dus à des dommages pendant le transport, une mauvaise utilisation, une négligence ou un accident.
- Vices de fabrication décelés au moment de l'achat, pièces remplacées sous garantie et main-d'œuvre associée non portés à la connaissance de Norcold par le consommateur-acheteur d'origine dans les 30 jours.
- Frais de main-d'œuvre sans remplacement de pièces et non portés à la connaissance de Norcold par le consommateur-acheteur d'origine dans les 30 jours.
- Défauts dans la verrerie, les ampoules électriques ou les fusibles de rechange.
- Vices causés par l'installation, l'entretien ou le réglage incorrect(e).
- Entretien normal de ce réfrigérateur tel que décrit dans ce manuel.
- Vices causés par l'usage incorrect de pièces ou l'emploi de pièces ni fabriquées ni fournies par Norcold à des fins de réparation ou de remplacement dans le réfrigérateur.

Norcold décline toute responsabilité quant aux pertes ou dégâts accessoires ou indirects, dus directement ou indirectement à l'emploi de ce produit. L'exclusion ou la restriction des dommages accessoires ou indirects n'étant pas autorisée dans toutes les circonscriptions, les clauses restrictives ci-dessus ne s'appliquent pas à tous les utilisateurs.

### Durée de la garantie

La présente garantie a une durée d'un ou deux ans à compter de la date d'achat en fonction du modèle.

### Prestations de Norcold

Norcold s'engage à réviser et remplacer gratuitement les pièces défectueuses à tous ses centres de service après-vente agréés. Norcold a le choix de remplacer soit les pièces défectueuses soit le réfrigérateur en entier. Si le réfrigérateur est remplacé, Norcold n'est pas responsable du remplacement des options installées par le concessionnaire.

### Service

Amener le réfrigérateur à l'un quelconque des centres de service après-vente agréés Norcold, accompagné d'un justificatif de garantie.

Si le client se trouve dans l'impossibilité d'amener le réfrigérateur à un centre de service après-vente agréé Norcold :

- Informer Norcold du problème par écrit.
- Norcold fera savoir au client la procédure à suivre pour obtenir les prestations de garantie.

### Droits du client

Cette garantie confère des droits juridiques particuliers. D'autres droits peuvent s'y ajouter, variant selon les circonscriptions.

## Signalisation de la sécurité

---

Lire soigneusement ce manuel et en assimiler le contenu avant d'utiliser le réfrigérateur.

Prendre conscience des risques pour la sécurité signalés par le symbole de mise en garde sur le réfrigérateur et dans ce manuel. Le symbole d'alerte de sécurité est suivi d'un terme précisant la nature du risque en question. Lire soigneusement la description de ces termes de signalement pour apprendre à les différencier. C'est une question de sécurité personnelle.



Ce terme de signallement indique un danger qui, s'il n'est pas pris en compte, peut causer une blessure grave, la mort ou d'importants dégâts matériels.




Ce terme de signallement indique un danger qui, s'il n'est pas pris en compte, peut causer une blessure ou des dégâts matériels.

## Consignes de sécurité

---



- Le rangement de produits inflammables derrière le réfrigérateur ou autour de celui-ci représente un danger d'incendie. Ne pas utiliser la zone derrière le réfrigérateur pour entreposer quoi que ce soit, en particulier des matières inflammables (essence, produits de nettoyage, etc.). Ceci est particulièrement important lors de la conversion d'un réfrigérateur à absorption de gaz.
- Ne pas entreposer de substances explosives, par exemple une bombe aérosol avec propulseur inflammable, dans ce réfrigérateur.
- Si les fils et (ou) les fusibles ne sont pas de taille correcte, l'installation électrique peut prendre feu sous l'effet de la surcharge du circuit. Utiliser uniquement les fils et fusibles de la taille indiquée dans le « Manuel d'installation ».
- Ne jamais ouvrir ou endommager le circuit frigorifique du système de refroidissement à l'arrière ou à l'intérieur de votre appareil. Le système de refroidissement est pressurisé et contient des substances inflammables.
- Les pièces doivent être remplacées par des composants similaires et l'entretien doit être effectué par du personnel de service autorisé par l'usine, de façon à minimiser le risque d'inflammation due à des pièces incorrectes ou à un mauvais entretien.
- Risque d'incendie et d'explosion avec un réfrigérant inflammable R600a. 
- Garder les ouvertures d'aération, dans l'appareil ou dans la structure intégrée, exemptes de toute obstruction.
- Ne pas utiliser de dispositifs mécaniques ou d'autres moyens pour accélérer le processus de dégivrage, autres que ceux recommandés par le fabricant.
- Ne pas utiliser d'appareils électriques à l'intérieur des compartiments de stockage des aliments de l'appareil, sauf s'ils sont du type recommandé par le fabricant.
- Manipulation, déplacement et utilisation du réfrigérateur ou du congélateur pour éviter d'endommager la tubulure du réfrigérant ou d'augmenter le risque de fuite.
- Risque de coincement pour les enfants. Avant de jeter votre vieux réfrigérateur ou congélateur : Enlever les portes et laisser les étagères en place pour que les enfants ne grimpent pas facilement à l'intérieur.



- Un défaut d'installation, de réglage, de modification ou d'entretien de ce réfrigérateur peut provoquer des blessures et/ou dommages matériels. Confier la réparation et l'entretien au concessionnaire ou à un centre de service après-vente agréé Norcold.
- Débrancher la source d'alimentation CC avant d'intervenir sur le réfrigérateur. Toute opération d'entretien ou de réparation sur ce réfrigérateur doit être effectuée par un technicien qualifié.
- Ne pas contourner ou modifier les composants ou fonctions électriques du réfrigérateur.
- Ne pas vaporiser de liquides près des prises électriques, des raccords ou des pièces du réfrigérateur. Nombre de liquides sont conducteurs et peuvent poser des risques de décharge électrique, de court-circuit, voire même d'incendie.
- L'arrière du réfrigérateur présente des arêtes vives et des angles coupants. Pour éviter de se couper ou de s'écorcher lors du travail sur le réfrigérateur, faire attention et porter des gants résistant aux coupures.
- Cet appareil n'est pas destiné à être utilisé par des personnes (y compris les enfants) avec des aptitudes physiques, sensorielles ou mentales réduites, ou expériences ou connaissances insuffisantes, sauf en cas de supervision ou instruction relative à l'utilisation de l'appareil par une personne responsable de leur sécurité. Les enfants doivent être surveillés pour garantir qu'ils ne jouent pas avec l'appareil.
- L'accumulation de poussière sur le condenseur réduit la performance de l'appareil et augmente le risque de surchauffe du système de refroidissement. Faire nettoyer le condenseur et le ventilateur de refroidissement par un technicien qualifié en cas de mauvaise performance suspectée.
- Risque d'incendie ou d'explosion dû à l'utilisation d'un réfrigérant inflammable. Suivre scrupuleusement les instructions de manipulation conformément à la réglementation du gouvernement des États-Unis.

## À propos du réfrigérateur

---

### Emploi :

Ce réfrigérateur est conçu pour l'utilisation dans un véhicule de loisir. En tant que tel, il convient au camping, mais ne pas exposer le réfrigérateur à la pluie.

### Volume d'entreposage :

Ce réfrigérateur est conçu pour l'entreposage d'aliments frais et congelés, ainsi que la fabrication de glaçons.

Capacité totale N10DC	9,7 pieds cubes	Calculé selon ANSI/AHAM-HRF-1-1988
Capacité totale N8DC	8,2 pieds cubes	Calculé selon ANSI/AHAM-HRF-1-2016



Le réfrigérateur est conçu pour fonctionner à moins de 10° du niveau dans toutes les directions. Un fonctionnement à une température supérieure à ces limites peut endommager le système de refroidissement, augmenter le bruit et nuire à la performance de refroidissement. S'assurer que le véhicule est de niveau avant de mettre le réfrigérateur en route.

### Fonctionnement en cours de déplacement :

Alors que le réfrigérateur doit être à niveau quand le véhicule est arrêté, sa performance en cours de déplacement n'est généralement pas affectée.

### Compartment pour les aliments :

Mettre le réfrigérateur en marche et le laisser refroidir pendant huit heures avant d'y placer des aliments. Si le réfrigérateur ne commence pas à baisser de température au bout de deux heures, s'enquérir auprès du concessionnaire ou du centre de service après-vente agréé Norcold.

Pour optimiser le refroidissement :

- Laisser l'air s'écouler librement dans tout le compartiment pour aliments et le congélateur.

Pour diminuer la quantité de glace qui s'accumule sur la paroi arrière du réfrigérateur, du congélateur et des aliments frais.

- Couvrir tous les liquides et aliments humides.
- Laisser tous les aliments chauds refroidir avant de les placer dans le réfrigérateur.
- Ne pas laisser la porte ouverte plus que nécessaire.

### Compartment congélateur :

Le compartiment congélateur est fait pour le maintien à l'état congelé des aliments pré-congelés mais pas pour la surgélation d'aliments. Garder les aliments pré-congelés dans le compartiment congélateur.



*REMARQUE : Pour faire des glaçons, mettre le bac à glaçons directement en bas du congélateur. Ne pas mettre d'autres articles sur le bac à glaçons pendant leur formation. L'eau gèle plus rapidement si l'interrupteur d'alimentation/le thermostat est à la position de température la plus froide.*

### Loquet de porte pour le voyage :

Pendant le voyage, le loquet empêche l'ouverture de la porte. Lors de la fermeture de chaque porte, la pousser vers le réfrigérateur jusqu'à ce qu'un déclic se fasse entendre. Pour ouvrir chaque porte, tirer sur la poignée du réfrigérateur.

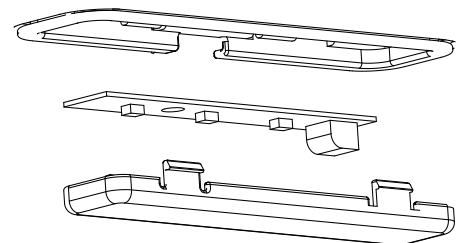
### Éclairage intérieur :

La lumière intérieure se trouve en haut du compartiment des aliments frais.

L'éclairage intérieur s'allume lorsque le réfrigérateur est ALLUMÉ et que la porte est ouverte.

Pour remplacer l'ampoule :

1. Utiliser du ruban adhésif pour maintenir l'interrupteur d'éclairage en position abaissée, ce qui met le circuit d'éclairage hors tension.
2. Retirer le couvercle en le tirant vers l'avant du réfrigérateur (voir Art 02734).
3. Débrancher le connecteur du faisceau de câbles.
4. Installer l'ampoule de rechange.



**ART 02734**



5. Poser le couvercle.

6. Retirer le ruban adhésif de l'interrupteur d'éclairage.

### Bac(s) à légumes :

Les bacs à légumes se trouvent au bas du compartiment des denrées fraîches et fournissent une surface d'entreposage pour conserver la fraîcheur des fruits et des légumes. Vérifier que les bacs à légumes sont toujours enfoncés à fond.



*Ne pas laver les bacs à légumes dans un lave-vaisselle. Ils ne sont pas prévus à cet effet.*

### Bacs des portes :

Il est possible de mettre les bacs de porte du congélateur et du compartiment d'aliments frais dans un endroit qui correspond le mieux aux besoins. Pour sortir les bacs, les soulever au-dessus du localisateur et les tirer de la porte. Pour installer les bacs, les pousser sur le localisateur.

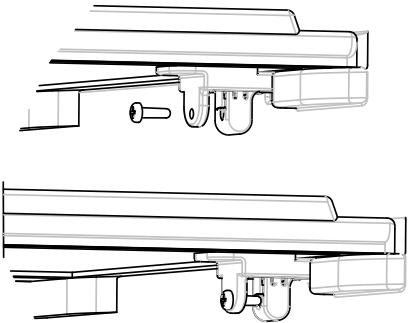


*Ne pas laver les bacs de porte ni leurs glissières dans un lave-vaisselle. Ils ne sont pas prévus à cet effet.*

### Clayettes réglables :

Les clayettes du congélateur et du compartiment de denrées fraîches sont fabriquées de manière à pouvoir être retirées ou déplacées. Pour sortir ou déplacer chaque clayette du compartiment d'aliments frais et du congélateur : (Art 02733)

- Retirer la vis du support de chaque clayette sur le côté du réfrigérateur.
- Faire glisser le support en dehors du logement (clayettes de l'armoire uniquement).
- Tirer chaque clayette pour la faire sortir du logement.
- Enfoncer complètement chaque clayette dans le logement voulu.
- Faire glisser le support dans le logement (clayettes de l'armoire seulement).
- Fixer le support à l'aide de la vis.



ART 02733

## Utilisation

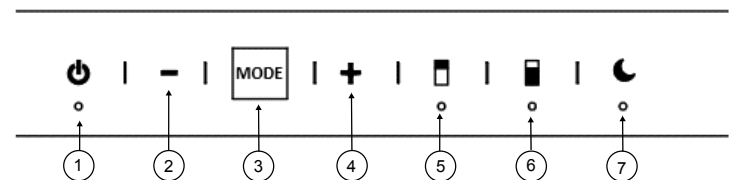
### Commandes :

- Appuyer sur le bouton ON/OFF (marche/arrêt) [1] et le relâcher pour mettre le réfrigérateur en marche. (Art 02735)
- Si le voyant lumineux, au-dessous du bouton, s'allume en bleu sans clignoter, cela signifie que le réfrigérateur fonctionne correctement.



*Le compartiment congélateur et l'armoire fonctionnent indépendamment l'un de l'autre et doivent tous deux être réglés à la température souhaitée.*

- Appuyer sur le bouton FREEZER COMPARTMENT [5] pour régler la température du compartiment.
- Utiliser les boutons +[4] ou -[2] pour régler la température.
  - Le mode [3] affiche le réglage de la température
    - 0 est désactivé
    - 1 est le réglage le plus chaud
    - 5 est le réglage le plus froid



ART 02735

- Appuyer sur le bouton CABINET COMPARTMENT [6] pour régler la température du compartiment.
- Utiliser les boutons +[4] ou – [2] pour régler la température.
  - Le mode [3] affiche le réglage de la température
    - 0 est désactivé
    - 1 est le réglage le plus chaud
    - 5 est le réglage le plus froid
- Appuyer sur n'importe quel bouton pour retourner la commande et activer le mode, le mode [3] s'allume. L'affichage repasse en mode veille au bout de 5 secondes.
- Appuyer sur le bouton NIGHT MODE [7] pour mettre le réfrigérateur en mode nuit. Le voyant bleu s'allume.
- Le mode nuit s'éteint automatiquement après 8 heures ou si vous appuyez de nouveau sur le bouton de mode nuit pour éteindre le voyant bleu.
- Ce réglage du mode nuit de 8 heures peut être modifié en appuyant sur le bouton de mode nuit pendant 3 secondes. Après les 3 secondes, les 8 heures par défaut s'affichent à l'écran. Pour modifier ce réglage, appuyer sur les touches « + » ou « - », puis sur le bouton de mode nuit pour appliquer le réglage.
- Le nouveau réglage est archivé dans la mémoire jusqu'à ce qu'il soit modifié.

#### Mise à l'arrêt :

- Pour éteindre le réfrigérateur, appuyer sur le bouton ON/OFF (marche/arrêt) [1] et le maintenir enfoncé pendant 5 secondes et relâcher.
- Une fois le réfrigérateur éteint, il faut attendre 5 minutes avant de pouvoir rallumer le réfrigérateur. Le réfrigérateur ne se rallume pas avant la fin des 5 minutes.



**Ne pas faire fonctionner le réfrigérateur lorsque la température ambiante est supérieure à 140 degrés F au-dessus des températures ambiantes recommandées peut causer des dommages permanents au compresseur. Le fonctionnement lorsque la température ambiante est supérieure à 110 degrés F peut entraîner de mauvaises performances de refroidissement.**

#### Consignes pour le fonctionnement en courant continu :

Consultez le Manuel d'installation pour les exigences et les lignes directrices en matière d'exploitation DC.

## Liste de contrôle de l'état du réfrigérateur

---

Il suffit d'effectuer les simples vérifications suivantes tous les trois à six mois pour obtenir de longues années de bons et loyaux services de la part du réfrigérateur :

- Veiller à la propreté du compartiment pour les aliments et du congélateur. Voir « Nettoyage ».
- Dégivrer le réfrigérateur aussi souvent que nécessaire. Voir « Dégivrage ».
- S'assurer de l'étanchéité de la fermeture de la porte. Voir « Fermeture étanche de la porte ».
- Veiller aux variations de refroidissement qui ne sont pas dues à un changement de température ambiante, de contenu ou de thermostat. Si de telles variations se produisent, s'enquérir auprès du concessionnaire ou d'un centre de service après-vente agréé Norcold.
- S'assurer de l'absence d'obstruction ou de réduction de l'écoulement d'air dans la prise d'air inférieure, à travers le condenseur du réfrigérateur et les serpentins, et par la bouche d'échappement supérieure.

## Dégivrage :

Les parois du congélateur du réfrigérateur fonctionnent à des températures de gel et il est normal qu'au contact de l'humidité de l'air elles se couvrent de givre. L'humidité à l'intérieur du réfrigérateur augmente :

- proportionnellement à la température et à l'humidité extérieures ;
- lorsque des aliments frais non recouverts ou des aliments encore chauds sont placés dedans ;
- d'autant plus que la ou les portes sont laissées longtemps ouvertes ;
- si le réfrigérateur présente des fuites d'air.

Il est normal que du givre s'accumule à l'intérieur du réfrigérateur. Un réfrigérateur trop givré risque de ne pas donner d'aussi bons résultats. Dégivrer le réfrigérateur aussi souvent que nécessaire :

- Sortir tous les aliments du réfrigérateur.
- Éteindre le réfrigérateur.



*Le dégivrage rend beaucoup d'eau dans le réfrigérateur, qui tombe sur le plateau de dégivrage et s'écoule vers l'extérieur du réfrigérateur par le tube de vidange.*

- Placer des serviettes sèches (etc.) à l'intérieur du réfrigérateur pour absorber l'excédent d'eau.



**Des températures élevées peuvent entraîner la distorsion ou la fonte des surfaces intérieures du réfrigérateur. Ne pas utiliser de récipients d'eau TRÈS CHAUDE, de sèche-cheveux ou d'autres dispositifs à haute température pour dégivrer le réfrigérateur. Ne pas employer d'objets durs ou tranchants pour enlever le givre. L'intérieur du réfrigérateur risquerait d'être endommagé.**

- Pour obtenir un dégivrage plus rapide, placer des récipients d'eau CHAUDE dans le réfrigérateur.
- Enlever les serviettes humides (etc.) et sécher l'intérieur.
- Remettre le réfrigérateur en route.
- Laisser le réfrigérateur refroidir.
- Remettre tous les aliments dans le réfrigérateur.

## Nettoyage :

Il est conseillé de nettoyer le réfrigérateur juste après l'avoir dégivré.

Nettoyer l'intérieur du réfrigérateur aussi souvent que nécessaire pour éviter les odeurs :

- Sortir tous les aliments du réfrigérateur.



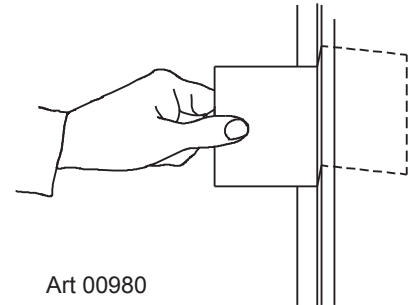
*Ne pas se servir de produits de nettoyage abrasifs, de produits chimiques ou de tampons à récurer, car ils risquent d'endommager l'intérieur du réfrigérateur.*

- Laver l'intérieur avec un produit de nettoyage doux ou un mélange de détergent liquide pour vaisselle et d'eau chaude.
- Rincer avec un mélange de bicarbonate de soude et d'eau propre.
- Sécher avec un chiffon propre.
- Remettre tous les aliments dans le réfrigérateur.

## Fermeture étanche de la porte :

Si la porte n'est pas absolument étanche, un excès de givre se formera à l'intérieur du réfrigérateur. S'assurer de l'étanchéité de la fermeture de la porte :

- Fermer la porte sur un morceau de papier à peu près la taille d'un billet d'un dollar U.S. (voir Art 00980).
- Tirer doucement sur le papier.
  - Une légère résistance doit se faire sentir entre le joint et l'armoire.
  - Répéter cette opération sur les quatre côtés de la porte.
  - L'absence d'une légère résistance exercée sur le papier indique une mauvaise étanchéité de la porte.
  - Faire vérifier l'étanchéité de la porte par un revendeur ou un centre de service après-vente agréé Norcold.



## Entreposage du réfrigérateur :

Avant d'entreposer un réfrigérateur pendant une période prolongée (saisonnière) :

- Dégivrer et nettoyer l'intérieur du réfrigérateur.
- Laisser les portes ouvertes ou entrouvertes

## Dépannage

---

### Si le réfrigérateur ne refroidit pas correctement en mode CC :

- S'assurer que l'interrupteur d'alimentation n'est pas en position « OFF » (arrêt).
- S'assurer que la commande du compartiment est sur la température souhaitée.
- S'assurer que la source d'alimentation du réfrigérateur est opérationnelle.
- S'assurer que le fusible ou le disjoncteur est intact (voir la rubrique « Système de protection contre les surintensités »).
- S'assurer que le réfrigérateur est correctement installé et que les bouches de ventilation incorporées ne sont pas obstruées.
- S'assurer que le problème ne vient pas d'une température ambiante anormalement élevée (plus de 110° F/43 °C) (voir la rubrique « Fonctionnement du dispositif d'arrêt en cas de surchauffe »).
- S'assurer que les portes sont bien fermées.
- S'assurer de l'étanchéité de la porte.
- S'assurer que la circulation de l'air à l'intérieur du réfrigérateur n'est pas réduite par la présence de certains aliments ou de clayettes recouvertes de plastique, papier, etc.
- S'assurer que des aliments chauds n'ont pas été placés dans le compartiment d'aliments frais du réfrigérateur.

Si le réfrigérateur ne fonctionne toujours pas bien une fois ces contrôles effectués, s'enquérir auprès du concessionnaire ou d'un centre de service après-vente agréé Norcold.

## Arrêt en cas de surchauffe :

Si le réfrigérateur est utilisé dans des températures ambiantes élevées, il y a risque de surchauffe du frigorigère et de panne prématurée du compresseur (voir l'étiquette située à l'intérieur du réfrigérateur).

Pour protéger le frigorigère contre la surchauffe, le réfrigérateur s'éteint automatiquement lorsque la température du module d'alimentation monte à plus de 212° F (100 °C). Le réfrigérateur ne se remettra pas en marche tant que la température du module d'alimentation ne sera pas redescendue à moins de 176° F (80 °C).

## Protection contre les tensions insuffisantes :

La tension requise pour démarrer le réfrigérateur initialement est de 10,9 volts. Afin d'éviter de vider complètement la batterie, le réfrigérateur s'éteint automatiquement lorsque la tension d'alimentation CC devient trop basse. Le réfrigérateur ne redémarrera pas tant que les tensions d'alimentation CC n'auront pas augmenté. Ces niveaux de tension de coupure et de redémarrage sont :

Fonctionnement 12 V CC

Arrêt 10,4 V CC

Remise en marche 11,8 V CC

## Protection contre les surintensités :

Le circuit électronique du réfrigérateur est muni d'un dispositif de protection contre les surintensités qui empêche l'onduleur de subir les effets néfastes d'une éventuelle inversion de polarité à la connexion.

Si le réfrigérateur ne fonctionne pas et que le voyant d'alimentation bleu ne s'allume pas, vérifier le fusible situé en série avec le connecteur CC ainsi que la polarité de l'alimentation en CC. Si le problème persiste, il provient peut-être du module d'alimentation. Faire réviser le réfrigérateur par un centre de service après-vente agréé Norcold.

## Liste de contrôle de l'entretien du réfrigérateur

---

Lire les sections suivantes de ce manuel relatives à l'entretien et en assimiler le contenu.

**AVIS**

**Norcold décline toute responsabilité en cas d'installation, de réglage, de modification, de réparation ou d'entretien effectué(e) par quiconque autre qu'un centre de service après-vente agréé Norcold.**

Demander à un centre de service après-vente agréé Norcold d'effectuer les contrôles annuels de sécurité et d'entretien suivants :

- S'assurer que les tensions CC sont correctes (voir la section « Courant électrique nécessaire »).
- Les connexions de fils doivent être propres, serrées et exemptes de corrosion. Si l'un de ces aspects laisse à désirer :
  - Le réfrigérateur subira une chute de tension.
  - La chute de tension réduit les performances du réfrigérateur.



**Débrancher le fil positif (+) de l'alimentation CC de la batterie avant de procéder à une « charge rapide » de la batterie. Ne pas débrancher le fil d'alimentation positif (+) de la batterie pendant une « charge rapide » peut endommager le réfrigérateur ou d'autres appareils 12 volts CC.**

- S'assurer que l'espace derrière le réfrigérateur n'est nullement encombré, en particulier par des matériaux combustibles, de l'essence et d'autres matériaux à vapeurs ou liquides inflammables.

## Pièces de rechange

---

Les pièces de rechange peuvent être obtenues auprès du concessionnaire ou d'un centre de service après-vente agréé Norcold.



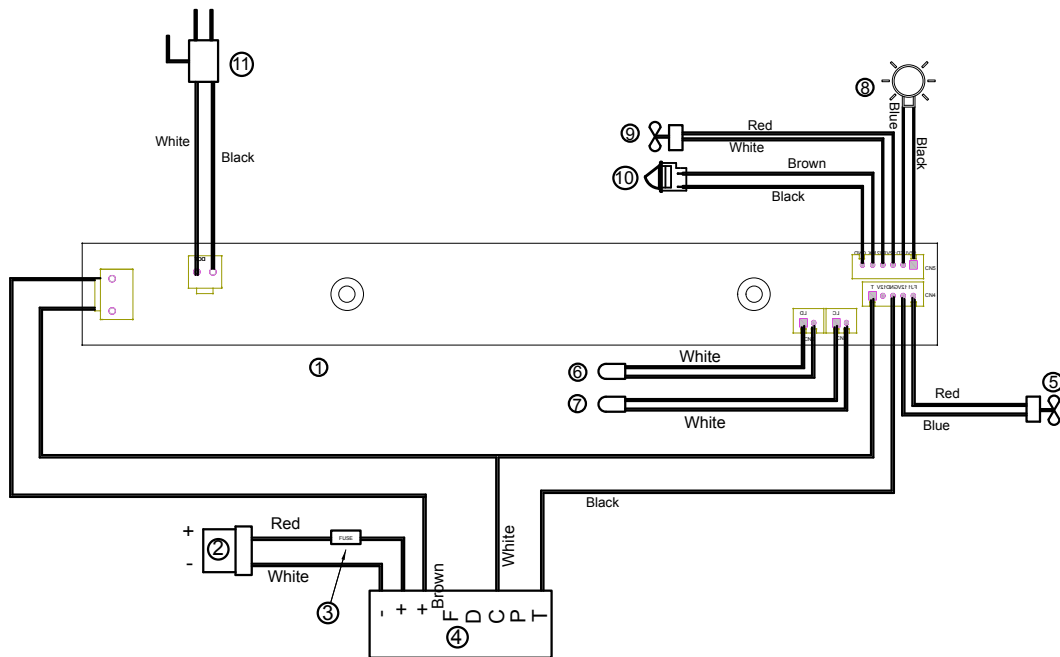
**Si le cordon d'alimentation est endommagé, il faut le faire remplacer par le fabricant, son agent de service après-vente ou d'autres personnes qualifiées afin d'éviter tout risque.**

- Les lampes LED ne peuvent être remplacées que par le fabricant, ainsi que par une partie de l'appareil.

# Schéma de câblage

Le schéma de câblage présente les composants suivants (voir Art 2739) :

- 1. .... Carte de contrôle de l'interface utilisateur
- 2. .... Alimentation d'entrée 12 V CC
- 3. .... Fusible 15 A
- 4. .... Module d'alimentation du compresseur
- 5. .... Ventilateur extérieur
- 6. .... Thermistance de congélateur
- 7. .... Thermistance des aliments frais
- 8. .... Éclairage intérieur
- 9. .... Ventilateur intérieur
- 10. .... Interrupteur d'éclairage intérieur
- 11. .... Vanne de dérivation



ART 02739