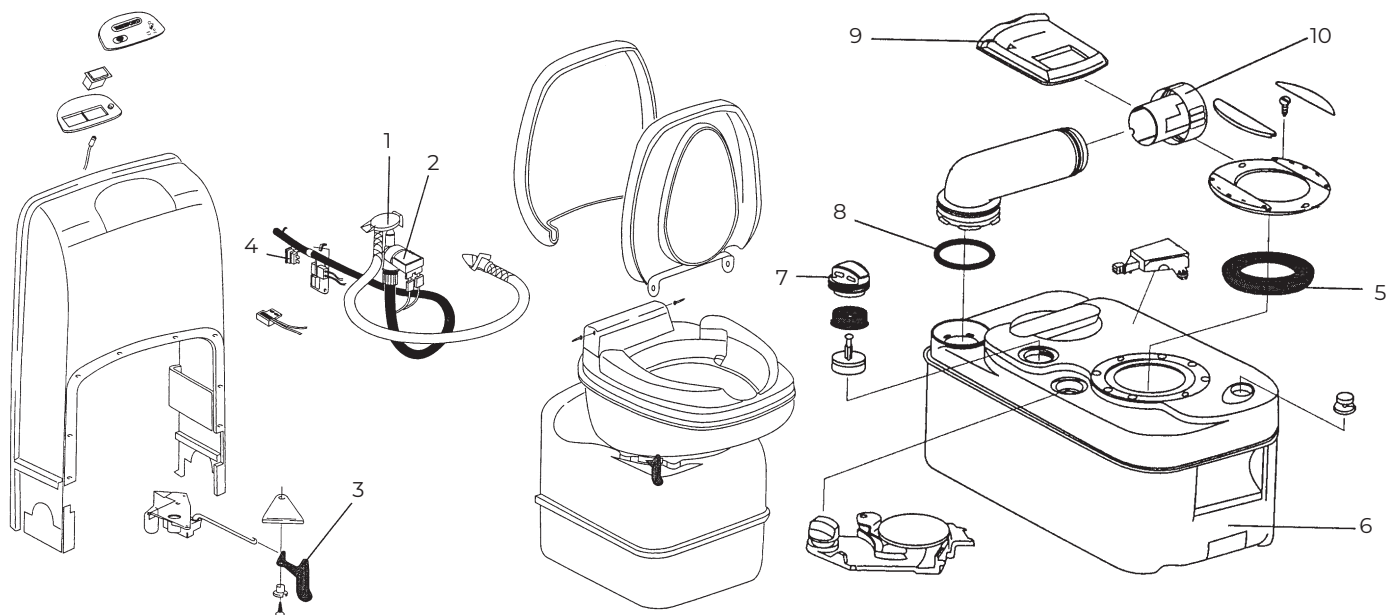


Cassette® C200 S/CS



Key No.	Part No.	Description
1	16833	Vacuum Breaker
2	23709	Electric Valve
3	2371374	Valve Blade Handle – Moon Grey
4	16451	Fuse – 3 Amp
	33342	<i>Superseded by 16451</i>
5	23721	Lip Seal (Post-6/15/00)
	33361	<i>Superseded by 23721</i>
6	2334174	Holding Tank Complete – Moon Grey
	33209	<i>Superseded by 2334174</i>
7	2372274	Automatic Vent – Moon Grey
	33210	<i>Superseded by 2372274</i>
8	16195	Cap & Spout Seal
	33333	<i>Superseded by 16195</i>
9	2133374	Sliding Cover – Moon Grey
	33203	<i>Superseded by 2133374</i>
10	2581078	Measuring Cup – Yellow
	25810	<i>Superseded by 2581078</i>

 Not available