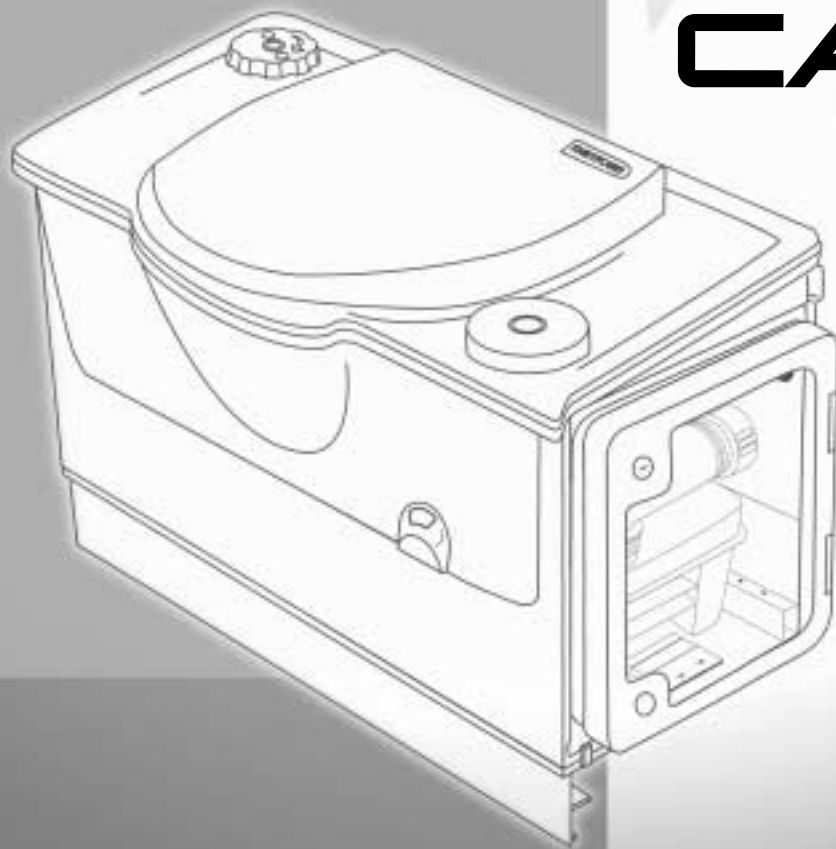


THETFORD

CASSETTE

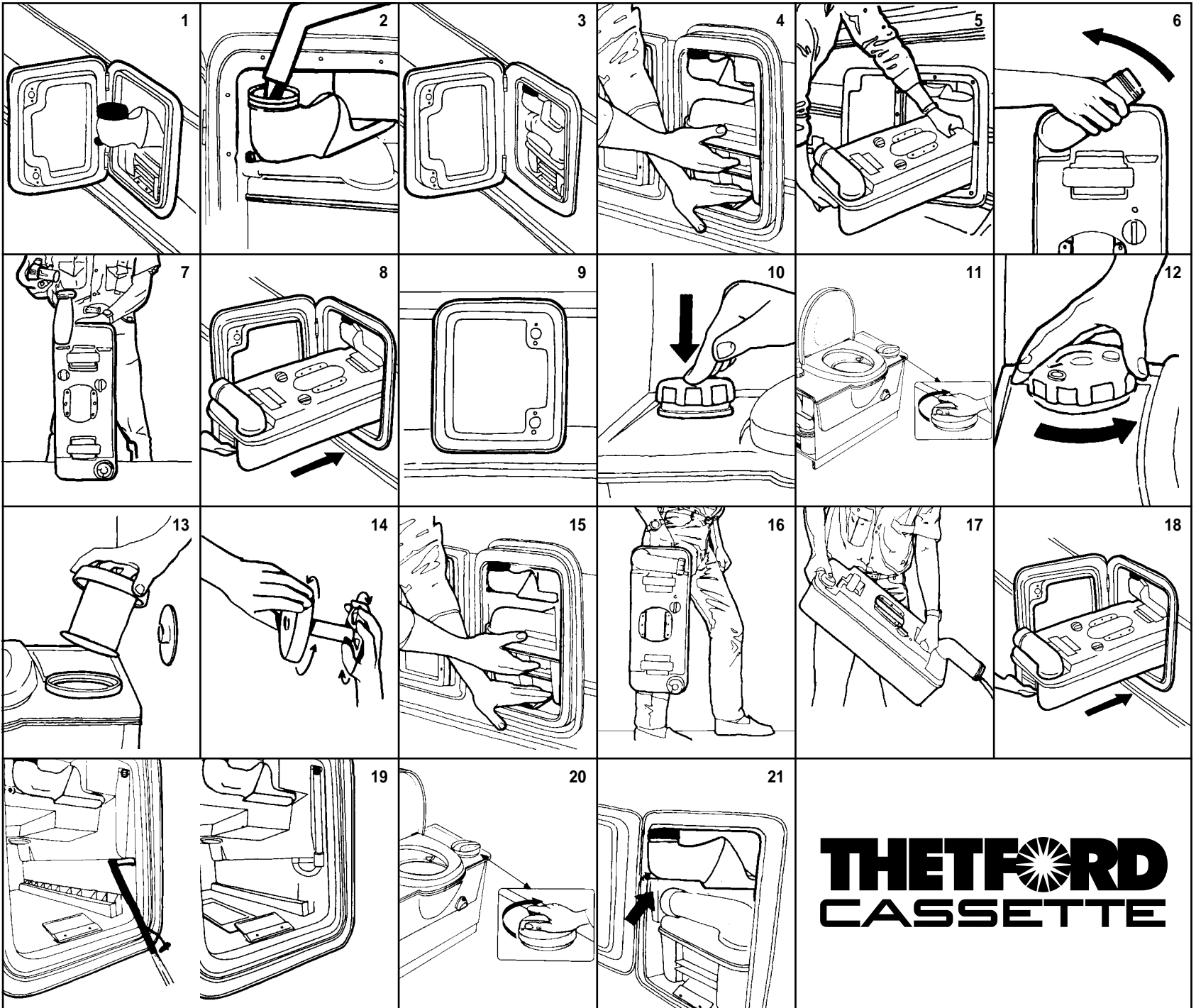


C2 / C3 / C4

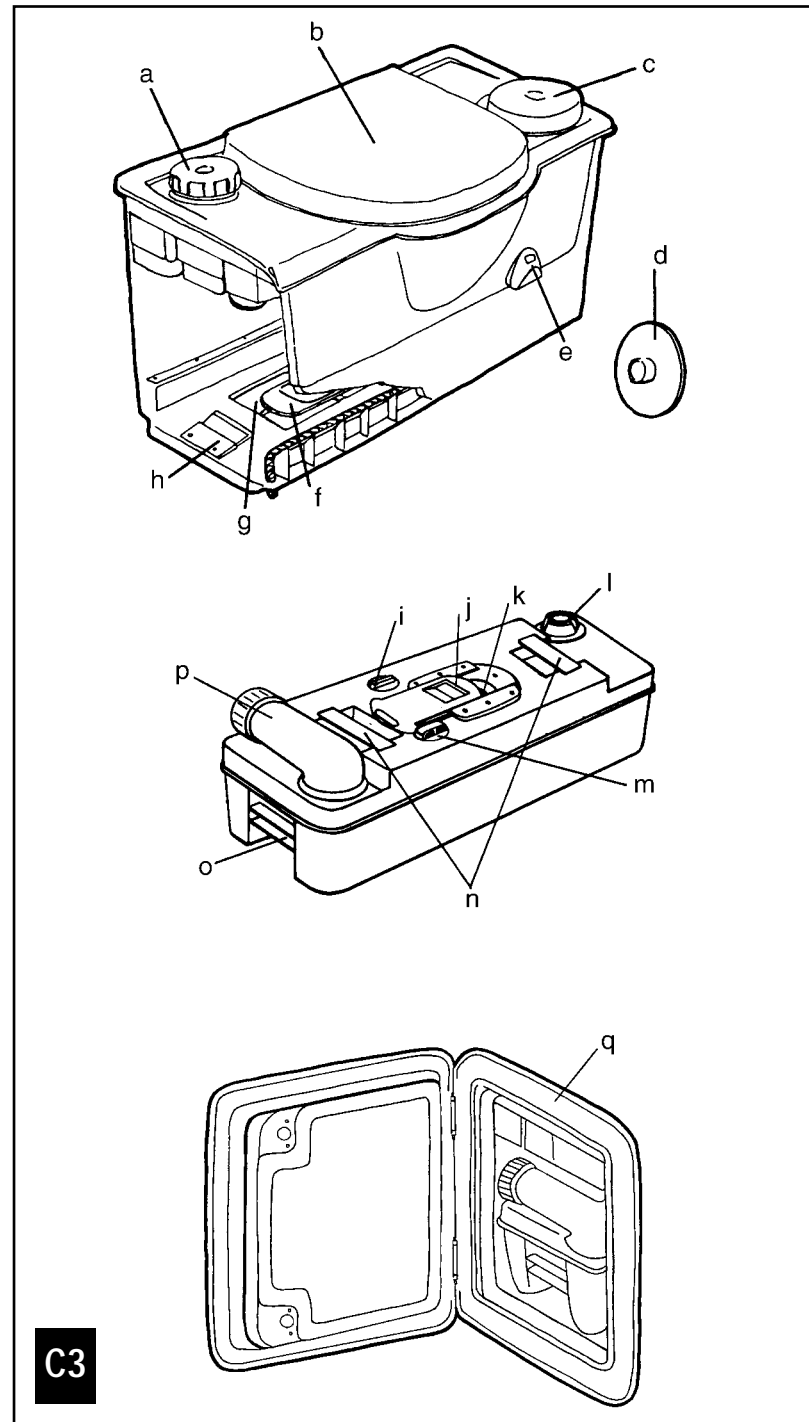
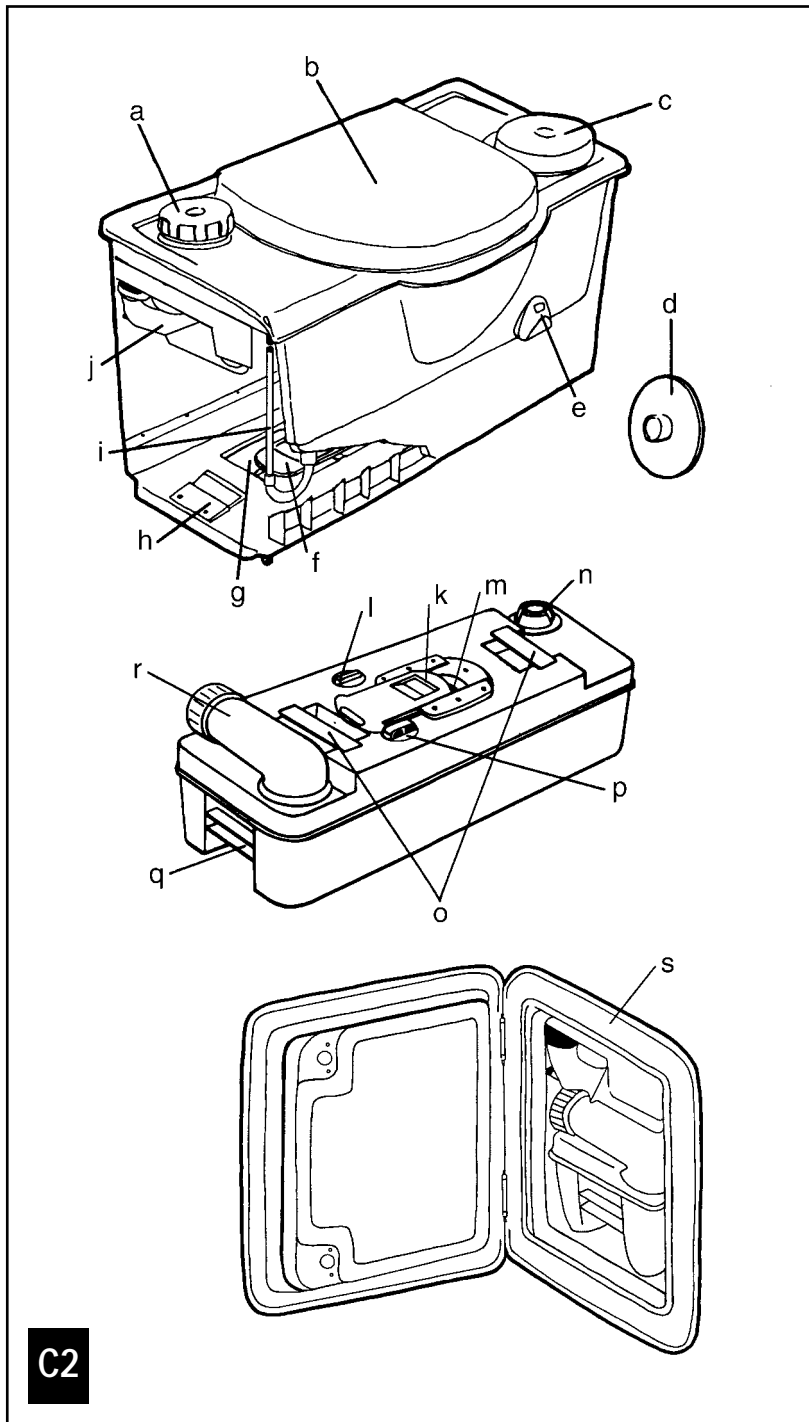
EN • F • ES

CASSETTE C2 / C3 / C4

GB	-	Instruction manual	1
F	-	Manuel de l'utilisateur	3
ES	-	Manual de instrucciones	5

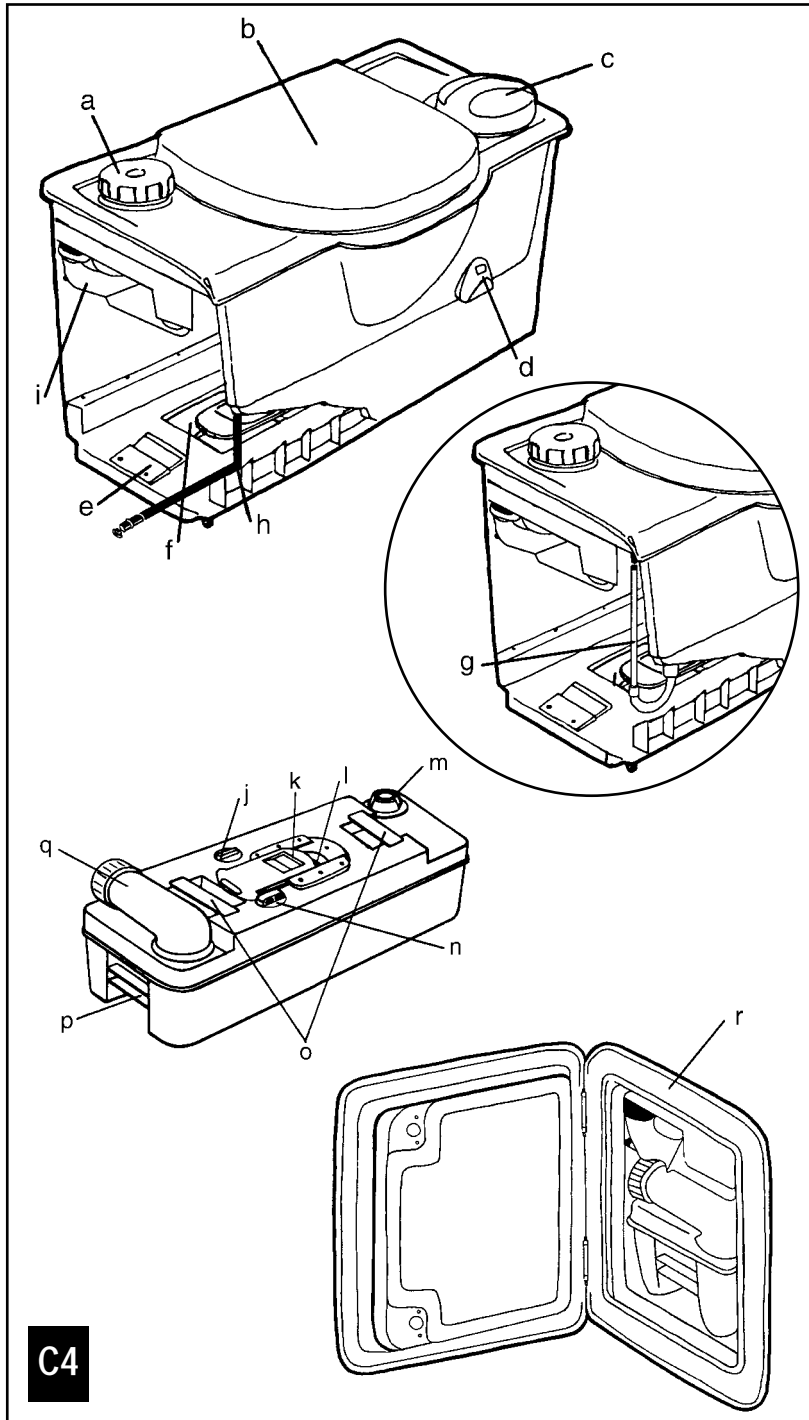


THETFORD
CASSETTE



C2

C3



C4

EN Instructions for use

These operating instructions cover Thetford cassette toilet models C2, C3 and C4. There are a few differences in the use of these models. Make sure that you follow the instructions that apply to your toilet model.

The parts and functions that are referred to by letters are illustrated on the fold-out at the back of these operating instructions.

The actions to be taken, referred to by numbers, are illustrated on the fold-out at the front of these operating instructions.

C2 PARTS AND FUNCTIONS

- a. Flush knob: opens and shuts the valve blade and pumps water into the bowl using an electric pump.
- b. Removable seat and cover
- c. Toilet paper storage compartment: keeps the paper dry and clean.
- d. Wall mounting for toilet roll.
- e. Waste tank level indicator: indicates when the waste tank is full.
- f. Leakage tray: catches drops of flush water when the waste tank has been removed.
- g. Storage compartment for toilet fluids (only the tall model).
- h. Safety catch: holds the waste tank in place.
- i. Drain pipe: also waste level indicator for the flush water tank.
- j. Water filling funnel: turns outwards for easy filling of the water tank.
- k. Cover: guarantees optimal hygiene. Opens when the waste tank is inserted into the toilet and closes when the waste tank is removed.
- l. Valve blade opener.
- m. Valve blade / valve seal.
- n. Vent plunger: for emptying without splashing.
- o. Upper handle: for easy carrying and emptying.
- p. Automatic pressure release vent: ventilates the waste tank when it is inserted into the cassette toilet. Avoids excessive pressure build up in the waste tank.
- q. Handle.
- r. Rotating emptying spout: ensures that the waste tank can be easily and hygienically emptied.
- s. Access door to waste tank and water filling funnel: lockable from the outside of the vehicle.

C3 PARTS AND FUNCTIONS

- a. Flush knob: opens the valve and operates your vehicle's electric pump.
- b. Removable seat and cover
- c. Toilet paper storage compartment: keeps the paper dry and clean.
- d. Wall mounting for toilet roll.
- e. Waste tank level indicator: indicates when the waste tank is full.
- f. Leakage tray: catches drops of flush water when the waste tank has been removed.
- g. Storage compartment for toilet fluids (only the tall model).
- h. Safety catch: holds the waste tank in place.
- i. Valve blade opener.
- j. Cover: guarantees optimal hygiene. Opens when the waste tank is inserted into the toilet.
- k. Valve blade / valve seal.

- l. Vent plunger: for emptying without splashing.
- m. Automatic pressure release vent: ventilates the waste tank when it is inserted in the cassette toilet. Avoids excessive pressure build up in the waste tank.
- n. Upper handle: for easy carrying and emptying.
- o. Handle.
- p. Rotating emptying spout: ensures that the waste tank can be easily and hygienically emptied.
- q. Access door to waste tank and water filling funnel: lockable from the outside of the vehicle.

C4 PARTS AND FUNCTIONS

- a. Valve blade handle: opens and shuts the valve blade.
- b. Removable seat and cover
- c. Flush handle.
- d. Waste tank level indicator: indicates when the waste tank is full.
- e. Safety catch: holds the waste tank in place.
- f. Storage compartment for toilet fluids (only the tall model).
- g. Drainpipe for the flush water tank.
- h. Drainpipe; also waste level indicator for the flush water tank.
- i. Water filling funnel: turns outwards for easy filling of the water tank.
- j. Valve blade opener.
- k. Cover: guarantees optimal hygiene. Opens when the waste tank is inserted into the toilet and closes when the waste tank is removed.
- l. Valve blade / valve seal.
- m. Vent plunger: for emptying without splashing.
- n. Automatic pressure release vent: ventilates the waste tank when it is inserted in the cassette toilet. Avoids excessive pressure build up in the waste tank.
- o. Upper handle: for easy carrying and emptying.
- p. Handle.
- q. Rotating emptying spout: ensures that the waste tank can be easily and hygienically emptied.
- r. Access door to waste tank and water filling funnel: lockable from the outside of the vehicle.

INTRODUCTION

The Thetford cassette toilet is a high quality product. The functional design combines modern styling with ease of use forming an integrated part of your caravan or motorhome bathroom. The Cassette toilet is manufactured from high quality synthetic material with a high gloss finish. This makes it a durable and user & maintenance friendly toilet.

The toilet is made up of two parts: a permanently fixed toilet and a waste tank that is accessible from the outside. The removable waste tank is located under the toilet and can be removed via a door on the outside of the caravan or motorhome.

The Thetford Cassette toilet is the solution to all sanitary problems in your caravan or motorhome!

PREPARING FOR USE

Points 1 to 3 only apply to models C2 and C4. If you have a C3 cassette toilet (connected to the central water system in your caravan or camper), start at point 4.

C2 AND C4

1. Open the access door on the outside of your caravan and turn the water filling funnel outwards. Remove the cap.
2. Add the stated amount of Thetford toilet fluid for the water tank via the water filling funnel. This ensures a better and cleaner flush and keeps the water in the flush tank fresh. After this fill the water tank with clean mains water.
3. Screw the cap back onto the water filling funnel. Turn the water filling funnel back inside against the side of the flush water tank.
Note: 150 ml water remains in the water filling funnel when the water tank is empty.

C2 C3 AND C4

4. Remove the waste tank by pulling the safety catch downwards.
5. Pull the waste tank outwards to the stop. Tip it slightly and take the tank out completely.
6. Place the tank upright and turn the emptying spout upwards.
7. Remove the cap, with the measuring cup inside, from the emptying spout and pour the stated quantity of Thetford toilet fluid into the waste tank. This quickly breaks down waste, avoids unpleasant smells in the waste tank and keeps the inside of the waste tank clean. Next add approximately 2 litres of water - enough to ensure that the bottom of the waste tank is covered. Screw the measuring cap back onto the emptying spout. Turn the emptying spout back to its original position.
N.B.: The emptying spout cap is supplied in the same packaging as this manual.
Warning! Never add toilet fluid via the valve blade or via the toilet bowl. This is immediately with water in the waste tank.
8. Slide the waste tank back into its original position via the access door.
Note! Never use force if you cannot get the tank back into place easily. This may cause serious damage.
9. Make sure that the waste tank is secured with the safety catch. Shut the access door and lock it.

USE

Point 10 is applicable to Cassette toilet models C2 and C3. If you have a C4 Cassette toilet, start from point 11.

C2 AND C3

10. Run water into the bowl by pressing the flush button once. The toilet may be used with blade open or closed. To open the valve turn the valve blade handle in an anti clockwise direction. Your Thetford toilet is now ready for use.

C4

11. Add water into the bowl by twisting the flush handle to the right. The toilet may be used with blade open or closed. To open the valve turn the valve blade handle in an anti clockwise direction. Your Thetford toilet is now ready for use.

C2 C3 AND C4

12. After use open the blade (if it is still closed) by turning the valve blade knob (C4) / flush knob (C2 and C3) to the left. Flush the

toilet by twisting the flush handle to the right (C4) or by depressing on the flush knob (C2 and C3). Close the valve blade after use.

Note! Do not leave water in the bowl if the toilet is not being used. This does not help to reduce unpleasant smells and only leads to flooding.

C2 AND C3

13. Toilet paper remains clean and dry in the specially designed integrated storage compartment. The toilet roll may also be fixed to the wall with the special holder supplied with the unit.
14. Replacing toilet roll: Remove the toilet roll holder from the storage compartment on its cover. Hold the bottom of the holder in one hand and the cover in the other. Push inwards gently and turn in opposite directions until you hear a click. Disconnect the two parts. Replace toilet roll. Press holder and cover back together and turn in opposite directions again until they click into place. To avoid blockages we advise the use of Aqua Soft fast dissolving toilet paper.

EMPTYING

The waste tank has a capacity of 20 litres. This must be emptied, at the latest, when the waste level indicator has turned from green to fully red. It is advisable to empty the waste tank earlier. The waste level indicator does not begin to change from green to red until the tank is $\frac{3}{4}$ full.

Note! Do not allow the waste tank to become too full.

15. Make sure that the valve blade is closed. Open the access door located outside the vehicle. Press the safety catch downwards and remove the waste tank.
16. Carry the tank by the handles to a normal toilet or to a legal waste disposal point. Place the waste tank upright on the ground and turn the emptying spout upwards.
17. Remove the emptying spout cap. Hold the waste tank by the upper handle nearest to the emptying spout. Hold the rear handle with your other hand so that you can operate the vent plunger with your thumb. Keep the vent plunger pressed to ensure the tank is emptied without splashing.
Note! The vent plunger should only be pressed once the emptying spout is pointing downwards!
In this way the tank can be emptied without splashing. After emptying, flush the tank and clean the valve blade thoroughly with water. Also clean the valve blade with water.
18. If required, make the toilet ready for use once again. Slide the waste tank into the toilet and close the access door.

STORAGE

It is important that you follow the instructions below if you do not expect to use the Thetford toilet for a long period.

The following text only applies to the Cassette toilet model C3. If you have a model C2 or C4, then follow the instructions under point 19, 20 and 21.

C3

If you have a Cassette toilet model C3 and your toilet is not used in the winter, follow the procedure for making your caravan or motorhome ready for the winter: Before you drain the central water system, open the Cassette toilet magnetic valve by depressing the

flush button. Keep the button depressed in (or place a weight on the flush button) during the draining of the water system.

C2 AND C4

19. Completely empty the water tank via the drain pipe, which is also the level indicator for the water tank. Remove the sight glass by pulling it downwards from the upper plug. Direct the draintube out through the access door opening so that the water flows out.

C4

20. Flush by hand a couple of times, so that the flush mechanism is completely drained.

C2 AND C4

21. Turn the water filling funnel outwards to further empty the flush system. Remove the cap underneath the water filling funnel, so that the remaining flush water can flow from the tank. Your toilet's flush system will now be completely empty.

CLEANING AND MAINTENANCE

The waste tank seal, the automatic pressure release vent seal and the cap seal must be cleaned regularly. When the toilet is being used frequently, monthly cleaning is generally sufficient.

We advise cleaning the seals and valve blade with Thetford Bathroom Cleaner.

Note! Never use household cleaners (bleach, solvents or other powerful cleaning agents). These may cause permanent damage to the seals and other toilet components.

- Squirt Thetford Bathroom Cleaner in the toilet.
 - Flush the bowl with water and wipe down the rest of the toilet with a damp cloth.
- Tip!** For a really shining toilet, dry it with a soft dry cloth after cleaning.
- Thoroughly clean the seals and valve blade, rub them in olive oil and wipe them over with a cloth or a piece of toilet paper. Repeat the above operation if the seal and blade are dirty or if opening and closing the blade is getting more difficult.

Note! Never use Vaseline or any vegetable oil except olive oil. These may cause leakage.

If the toilet will not be used for a long period, it is advisable to clean the seals and coat them lightly with olive oil. This will ensure that they remain in good condition (supple).

N.B. The valve blade seal is a part of the toilet that is subject to wear. Depending on the extent and manner of service, after a certain period the seal will lose quality and must be replaced.

WINTER USE

You can use your Thetford cassette toilet as usual in cold weather, as long as the toilet is situated in a heated location. If not, there is a risk of freezing. In that case we advise that the toilet is drained by following the instructions under 'Storage'.

ssFor environmental reasons the use of antifreeze, such as that used in a car radiator, is not advised.

THETFORD WARRANTY

Thetford B.V. offers the end users of its products a two-year guarantee. In the case of defects within the guarantee period Thetford will replace or repair the product. In this instance, the costs of replacement, labour costs for the replacement of defective components and/or the costs of the parts themselves will be paid by Thetford.

1. To claim under this guarantee, the user must take the product to a Service Centre recognised by Thetford. The claim will be assessed there.
2. Components replaced during repair under guarantee become the property of Thetford.
3. This guarantee does not prejudice current consumer protection law.
4. This guarantee is not valid in the case of products that are for, or are used for, commercial purposes.
5. Guarantee claims falling into one of the following categories will not be honoured:
 - the product has been improperly used or the instructions in the manual have not been followed
 - the product has not been installed in accordance with the instructions
 - alterations have been made to the product
 - the product has been repaired by a Service Centre not recognised by Thetford
 - the serial number or product code have been changed
 - the product has been damaged by circumstances outside the normal use of the product

CUSTOMER SERVICE

Please visit our web site if you require further information or have questions about your toilet, www.thetford-europe.com. The information available includes frequently asked questions, problems and solutions, instructions for repair, tips and a list of Thetford dealers in your area. If you still have questions or remarks, please contact the Customer Service Department in your country (see the addresses at the back of this manual).

LIABILITY

Thetford is not liable for loss and/or damage caused directly or indirectly by use of the toilet.

F Notice d'utilisation

Cette notice d'utilisation concerne les modèles C2, C3 et C4 des toilettes à cassette Thetford. Ces modèles diffèrent légèrement. Veuillez donc bien suivre ces instructions.

Les pièces de rechange et fonctions désignées par des lettres sont présentées à la fin de cette notice d'utilisation.

Les manipulations à effectuer, désignées par des chiffres, sont présentées au début de cette notice d'utilisation.

PIECES ET FONCTIONS DE LA TOILETTE C2

- a. Commande de rinçage et d'ouverture/fermeture du clapet.
- b. Siège et couvercle amovibles.
- c. Compartiment pour stockage et mise au sec du papier hygiénique.
- d. Support mural du distributeur de papier hygiénique.
- e. Indicateur de niveau du réservoir à matières; indique le moment de vidange du réservoir à matières.
- f. Tablette de protection assurant la récupération de l'eau pouvant provenir de la cuvette lorsque le réservoir est retiré.
- g. Compartiment de stockage pour additifs sanitaires.
- h. Patte de verrouillage maintenant la cassette en position bloquée.
- i. Tube transparent permettant de contrôler le niveau d'eau fraîche dans le réservoir et d'en assurer la vidange pour l'hiver.
- j. Préréservoir pivotant pour permettre un remplissage aisé de l'eau fraîche.
- k. Couvercle coulissant: s'ouvre et se ferme automatiquement en introduisant ou en retirant le réservoir à matières. Garantit une hygiène optimale.
- l. Commande de l'ouverture du clapet.
- m. Clapet/joint d'étanchéité du clapet.
- n. Bouton-poussoir de prise d'air. Assure une vidange sans risque d'éclaboussure.
- o. Poignées supérieures de transport: facilitent le transport et la vidange.
- p. Event automatique: assure l'aération du réservoir à matières une fois celui-ci inséré dans la toilette. Cet événement prévient toute surpression dans le réservoir à matières.
- q. Poignée latérale: permet d'extraire par l'extérieur la cassette de la toilette.
- r. Bras de vidange orientable permettant de vidanger la cassette plus aisément.
- s. Portillon d'accès. Fermeture à clef par l'extérieur du véhicule.

PIECES ET FONCTIONS DE LA TOILETTE C3

- a. Commande de rinçage et d'ouverture/fermeture de clapet.
- b. Siège et couvercle amovibles.
- c. Compartiment pour stockage et mise au sec du papier hygiénique.
- d. Support mural du distributeur de papier hygiénique.
- e. Indicateur de niveau du réservoir à matières; indique le moment de vidange du réservoir à matières.
- f. Tablette de protection assurant la récupération de l'eau pouvant provenir de la cuvette lorsque le réservoir est retiré.
- g. Compartiment de stockage pour additifs sanitaires.
- h. Patte de verrouillage maintenant la cassette en position bloquée.
- i. Commande de l'ouverture du clapet

- j. Couvercle coulissant: s'ouvre et se ferme automatiquement en introduisant ou en retirant le réservoir à matières. Garantit une hygiène optimale
- k. Clapet/joint d'étanchéité du clapet.
- l. Bouton-poussoir de prise d'air. Assure une vidange sans risque de projections.
- m. Event automatique: assure l'aération du réservoir à matières une fois celui-ci inséré dans la toilette. Cet événement prévient toute surpression dans le réservoir à matières.
- n. Poignées supérieures de transport: facilitent le transport et la vidange.
- o. Poignée latérale: permet d'extraire par l'extérieur la cassette de la toilette.
- p. Bras de vidange orientable permettant de vidanger la cassette plus aisément.
- q. Portillon d'accès. Fermeture à clef par l'extérieur du véhicule.

PIECES ET FONCTIONS DE LA TOILETTE C4

- a. Commande d'ouverture/fermeture de clapet.
- b. Siège et couvercle amovibles.
- c. Commande de rinçage
- d. Indicateur de niveau du réservoir à matières; indique le moment de vidange du réservoir à matières.
- e. Patte de verrouillage maintenant la cassette en position bloquée.
- f. Compartiment de stockage pour additifs sanitaires (uniquement pour le modèle haut)
- g. Tube transparent
- h. Tube transparent permettant de contrôler le niveau d'eau fraîche dans le réservoir et d'en assurer la vidange pour l'hiver.
- i. Préréservoir pivotant pour permettre un remplissage aisé de l'eau fraîche.
- j. Commande de l'ouverture du clapet.
- k. Couvercle coulissant: s'ouvre et se ferme automatiquement en introduisant ou en retirant le réservoir à matières. Garantit une hygiène optimale
- l. Clapet/joint d'étanchéité du clapet.
- m. Bouton-poussoir de prise d'air. Assure une vidange sans risque de projections.
- n. Event automatique: assure l'aération du réservoir à matières une fois celui-ci inséré dans la toilette. Cet événement prévient toute surpression dans le réservoir à matières.
- o. Poignées supérieures de transport: facilite le transport et la vidange.
- p. Poignée latérale: permet d'extraire par l'extérieur la cassette de la toilette.
- q. Bras de vidange orientable permettant de vidanger la cassette plus aisément.
- r. Portillon d'accès. Fermeture à clef par l'extérieur du véhicule.

INTRODUCTION

Vous venez d'acquies une toilette Casette Thetford, produit de qualité. La conception fonctionnelle de ce produit permet d'allier modernisme et aisance d'utilisation. Cette toilette s'intègre parfaitement au décor du cabinet de toilette de votre véhicule de loisirs. Cette toilette à cassette est fabriquée à partir de plastiques injectés de haute qualité et présente une finition d'aspect brillant facilitant son nettoyage et son entretien.

La toilette se compose de deux parties: une toilette montée de façon permanente et un réservoir à matières amovible accessible depuis l'extérieur. Le réservoir à matières se trouve sous la toilette et est accessible en ouvrant la porte aménagée dans la cloison du véhicule.

La toilette à cassette Thetford est la solution idéale!

MISE EN SERVICE

Les points 1 à 3 inclus sont uniquement applicables aux modèles C2 et C4. Si vous possédez une toilette C3 (raccordée au réservoir général d'alimentation en eau du véhicule), vous pouvez commencer au point 4.

C2 et C4

1. Ouvrez le portillon d'accès sur le côté du véhicule et faites pivoter vers l'extérieur le préréservoir de remplissage d'eau. Dévissez le bouchon.
2. Versez par le préréservoir la quantité d'Aqua Rinse indiquée (environ 100ml). L'Aqua Rinse est un additif pour l'eau fraîche qui améliore l'efficacité du rinçage et assure une parfaite hygiène de la cuvette. Remplissez ensuite le réservoir d'eau claire jusqu'à ce que le niveau atteigne le goulot. La capacité du réservoir est de 15 litres.
3. Revissez le bouchon. Remplacez le bras articulé dans sa position initiale.
Remarque: Lorsque le réservoir d'eau est vide, il reste 150ml d'eau dans l'entonnoir de remplissage d'eau.

C2, C3 et C4

4. Appuyez sur la patte de verrouillage vers le bas pour débloquer la cassette. (Bien vérifier que le clapet à l'intérieur de la cuvette soit fermé.
5. Tirez la cassette tout droit pour l'enlever. Lorsque la cassette touche la butée, inclinez la légèrement vers le bas et retirez-la.
6. Posez la cassette en position verticale et faites pivoter le bras orientable vers le haut.
7. Dévissez le bouchon (doseur) du bras de vidange et versez dans celui-ci la quantité conseillée d'additif sanitaire Thetford pour réservoir à matières puis ajoutez environ 2 litres d'eau afin de recouvrir le fond de la cassette.
N.B: A la livraison, le bouchon du bras de vidange se trouve dans le même emballage que cette notice d'utilisation.
Avertissement! N'ajoutez jamais d'additif sanitaire directement par le clapet ou la cuvette car ceci pourrait endommager le joint de clapet.
Important Nous recommandons avant d'effectuer un parcours en montagne de laisser la trappe légèrement entrouverte afin de maintenir la pression interne de la cassette égale à celle de l'extérieur.
8. Remplacez le réservoir à matières, extrémité avec bras orientable vers l'extérieur, par le portillon d'accès. Bien s'assurer que le clapet coulissant est placé correctement; les deux flèches pointant l'une vers l'autre.
9. Assurez-vous que la cassette est bien verrouillée par la patte de verrouillage. Fermez la porte d'accès et verrouillez-la.

FONCTIONNEMENT ET UTILISATION

Le point 10 est uniquement applicable aux toilettes à cassette C2 et C3. Si vous disposez d'une toilette à cassette C4, passez directement au point 11.

C2 et C3

10. Faites couler de l'eau dans la cuvette en appuyant sur la poignée de commande de rinçage de manière à ajouter de l'eau dans la cuvette. Dès que vous relâchez cette poignée, l'appoint d'eau cesse. Ouvrez le clapet en tournant vers la gauche la poignée de rinçage. Vous pouvez à présent utiliser votre toilette Thetford.

C4

11. Faites couler de l'eau dans la cuvette en faisant pivoter vers la droite la poignée de commande de rinçage puis ouvrez le clapet en faisant pivoter la poignée d'ouverture de trappe vers la gauche. Vous pouvez à présent utiliser votre toilette Thetford.

C2, C3 et C4

12. Après utilisation, ouvrez le clapet (s'il est encore fermé) en le faisant pivoter (C4) ou en actionnant le bouton de rinçage (C2 et C3) vers la gauche. Vous pouvez rincer la toilette en faisant tourner le bouton de rinçage vers la droite (C4) ou en appuyant dessus (C2 et C3). Fermez le panneau coulissant après l'utilisation.
Attention! Ne laissez pas d'eau dans la cuvette lorsque vous n'utilisez pas la toilette. Cela ne contribue en rien à réduire les odeurs désagréables et ne peut qu'entraîner des débordements.

C2 et C3

13. Le papier toilette reste propre et sec grâce à l'espace de rangement intégré spécialement conçu à cet effet. Le rouleau de papier peut également être fixé à la paroi à l'aide du support spécial livré avec la toilette.
14. Mise en place d'un nouveau rouleau: tenez le support de papier par le couvercle et sortez-le du rangement. Tenez la partie inférieure du support dans une main et le couvercle dans l'autre. Tournez-les dans la direction opposée jusqu'à que vous entendiez un déclic. Séparez les deux parties. Placez un nouveau rouleau de papier. Tenez le support et le couvercle et emboîtez les. Tournez les de nouveau dans la direction opposée jusqu'à que vous entendiez le déclic. Pour obtenir de meilleurs résultats, nous recommandons le papier hygiénique Aqua Soft Thetford à dissolution rapide.

VIDANGE DE LA CASSETTE

La cassette a une capacité de 20 litres, elle doit être vidée lorsque l'indicateur de niveau vire du vert au rouge. Cet indicateur ne commence à passer du vert au rouge que lorsque le réservoir est aux $\frac{3}{4}$ plein.

Attention! Ne laissez pas le réservoir à matières se remplir outre mesure.

15. Veillez à fermer le clapet. Ouvrez le portillon à l'extérieur du véhicule. Tirez la patte de verrouillage vers le haut et enlevez le réservoir à matières.

16. Portez le réservoir, en le tenant par l'une des poignées, jusqu'à des toilettes classiques ou une aire de service autorisée. Mettez le réservoir à matières à la verticale et tournez le bras orientable vers le haut.
17. Dévissez le bouchon du bras orientable. Prendre la cassette d'une main par la poignée la plus proche du bras orientable. Prendre de l'autre main la poignée arrière, de sorte que le bouton prise d'air puisse se commander avec le pouce. Appuyez dessus en vidant le réservoir. On évite ainsi les éclaboussures.
Attention! nNe commandez le bouton de prise d'air qu'une fois le bras orientable dirigé vers le bas.
18. Une fois vidé, rincez le réservoir à l'eau claire. Si besoin, préparez de nouveau la toilette à l'utilisation. Faites glisser la cassette dans la toilette et refermez le portillon.

STOCKAGE

Si vous n'utilisez pas votre toilette Thetford pendant un temps prolongé, il est important de vous conformer aux instructions suivantes.

C3

Si vous possédez une toilette à cassette C3 que vous n'utilisez pas pendant l'hiver, il convient de procéder à la préparation de votre véhicule pour l'hiver.

Toutefois, avant de vidanger le circuit d'eau général du véhicule, il faut ouvrir la valve magnétique en appuyant sur la commande de rinçage alors que le système se trouve encore sous pression. Maintenez enfoncé le bouton de rinçage (ou bien placez sur celui-ci un objet de poids suffisant) pendant la vidange du circuit d'alimentation en eau.

C2 et C4

19. Videz le réservoir d'eau fraîche à l'aide du tuyau prévu à cet effet. Retirez le tube de sa fixation et amenez-le à l'extérieur. Enlevez le bouchon pour permettre à l'eau de s'écouler hors du réservoir.

C4

20. Rincez à présent plusieurs fois manuellement pour que le mécanisme de rinçage soit entièrement vidé.

C2 et C4

21. Dévissez le bouchon de vidange du pré-réservoir pivotant pour permettre à l'eau de s'écouler. Retirez le pré-réservoir pivotant en le déboitant (prévoir un récipient). Remettez le en place

NETTOYAGE ET ENTRETIEN

Le joint de clapet du réservoir à matières, le joint de l'évent d'évacuation automatique des gaz et le joint du bouchon doivent être nettoyés régulièrement. En cas d'utilisation fréquente, un nettoyage mensuel suffit généralement.

Nous vous recommandons de nettoyer les joints et le clapet à l'aide du 'Nettoyant salle de bains'.

Attention! N'utilisez jamais de produits détergents (chlore, solvants ou autres détergents puissants). Ces produits peuvent provoquer des dégâts irréversibles aux joints d'étanchéité et autres pièces de la toilette.

Pour nettoyer votre toilette:

- Rincez-la avec le 'Nettoyant salle de bains' Thetford.
- Rincez ensuite la cuvette avec de l'eau et essuyez le reste de la toilette à l'aide d'un chiffon humide.
Conseil! Pour obtenir une toilette particulièrement brillante, séchez-la après nettoyage à l'aide d'un chiffon doux et sec.
- Séchez soigneusement les joints et le clapet et enduisez-les d'huile d'olive. Essuyez-les à l'aide d'un chiffon ou d'une feuille de papier toilette. Répétez l'opération ci-dessus, lorsque les joints et le clapet sont sales ou lorsque l'ouverture et la fermeture se font plus difficilement.
Attention! N'utilisez jamais de vaseline ou d'huiles végétales autres que de l'huile d'olive. Ces produits peuvent provoquer des fuites.

Lorsque la toilette n'est pas utilisée pendant un temps prolongé, il est conseillé de nettoyer les joints et de les enduire légèrement d'huile d'olive. Les joints restent alors en bon état (souples).

N.B. Le joint de clapet est une pièce de votre toilette sujette à l'usure. Selon la fréquence et le mode d'entretien, il convient de remplacer les joints d'étanchéité.

UTILISATION PAR TEMPS FROID

Si votre toilette à cassette Thetford se trouve dans un endroit chauffé, vous pouvez l'utiliser normalement par temps froid. Dans le cas contraire, elle risque de geler. Dans ce cas, nous vous conseillons de vider la toilette en suivant les instructions de la rubrique 'Stockage'.

L'utilisation de produits antigels tels que ceux qui sont utilisés dans les radiateurs de voiture n'est pas conseillée car elle entraîne une pollution de l'environnement.

GARANTIE THETFORD

Thetford offre une garantie de deux ans aux utilisateurs de ses produits. En cas de défaillances pendant cette période de garantie, Thetford procède au remplacement ou à la réparation du produit. Les frais de remplacement, de main-d'œuvre pour le remplacement des pièces défectueuses et/ou les frais relatifs aux pièces sont alors pris en charge par Thetford.

1. Pour pouvoir faire appel à cette garantie, l'utilisateur doit amener le produit dans un Service Centre agréé par Thetford. L'application de la garantie y est évaluée.
2. Si la réparation passe par le remplacement sous garantie de certaines pièces, les pièces impliquées sont la propriété de Thetford.
3. La législation relative à la consommation en vigueur ne souffre aucun préjudice de la présente clause de garantie.
4. Cette garantie n'est pas applicable aux produits utilisés à des fins commerciales.
5. La garantie est annulée dans l'un des cas suivants:
 - le produit a été utilisé de manière peu judicieuse ou les prescriptions de la notice d'utilisation n'ont pas été respectées;
 - le produit n'a pas été installé conformément aux spécifications;
 - une modification a été apportée au produit;
 - le produit a été réparé par un technicien non agréé par Thetford;
 - le numéro de série ou le code du produit a été modifié;

- le dommage causé au produit provient de circonstances étrangères à l'utilisation normale du produit.

SERVICE CLIENTELE

Pour plus de détails ou si vous souhaitez poser des questions au sujet de votre toilette, consultez notre site Web www.thetford-europe.com. Vous y trouverez entre autres un forum, des problèmes et leurs solutions, des instructions de réparation, des conseils et une liste des distributeurs Thetford de votre région. Si cela ne suffisait pas et que vous souhaitez encore nous poser des questions ou formuler des remarques, contactez le service clientèle de votre pays (voir les adresses au verso de cette notice).

RESPONSABILITE

Thetford ne peut en aucun cas être tenu responsable de la perte et/ou de dommages résultant directement ou indirectement de l'utilisation de la toilette.

ES Instrucciones de manejo

Estas instrucciones de manejo se refieren a los modelos C2, C3 y C4 del inodoro de casete Thetford. El uso de este inodoro difiere en algunos aspectos según el modelo. Asegúrese de seguir las instrucciones aplicables a su inodoro.

Los componentes y las funciones, indicadas con letras, se reproducen en un esquema desplegable incluido al final de estas instrucciones de manejo.

Las operaciones a realizar, indicadas mediante números, figuran en un esquema desplegable al principio de estas instrucciones de manejo.

COMPONENTES Y FUNCIONES DEL C2

- Botón de lavado y cierre; abre y cierre la válvula de cierre y bombea agua en la taza mediante una bomba eléctrica.
- Asiento y tapa desmontables.
- Compartimento para papel higiénico; mantiene el papel seco y limpio.
- Soporte mural para rollo de papel higiénico.
- Indicador de nivel del depósito de residuos; indica cuando el depósito de residuos está lleno.
- Bandeja de goteo; recoge las gotas de agua de lavado cuando el depósito de residuos ha sido retirado.
- Espacio para guardar líquidos para inodoros (sólo en los modelos altos).
- Perno de sujeción; mantiene el depósito de residuos en su sitio.
 - Manguera de vaciado; también indicador de nivel para el depósito de agua de lavado.
- Embudo; gira hacia fuera para facilitar el llenado del depósito de agua.
- Tapadera; garantiza una higiene óptima. Se abre al introducir el depósito de residuos en el inodoro y se cierre al retirarlo del inodoro.
 - Dispositivo de apertura de la válvula de cierre.
- Válvula de cierre / goma de cierre.
- Émbolo de ventilación; para vaciar sin derramar.
- Asideros superiores; facilitan el transporte y el vaciado.
- Aireación automática; airea el depósito de residuos cuando está introducido en el inodoro de casete. Evita un exceso de presión en el depósito de residuos.
- Tirador.
- Embudo giratorio; permite vaciar el depósito de residuos de una forma cómoda e higiénica.
- Acceso al depósito de residuos y el embudo; bloquear en la parte exterior del vehículo.

COMPONENTES Y FUNCIONES DEL C3

- Botón de lavado y cierre; abre la válvula y acciona la bomba eléctrica de su vehículo.
- Asiento y tapa desmontables.
- Compartimento para papel higiénico; mantiene el papel seco y limpio.
- Soporte mural para rollo de papel higiénico.
- Indicador de nivel del depósito de residuos; indica cuando el depósito de residuos está lleno.
- Bandeja de goteo; recoge las gotas de agua de lavado cuando el depósito de residuos ha sido retirado.

- Espacio para guardar líquidos para inodoros (sólo en los modelos altos).
- Perno de sujeción; mantiene el depósito de residuos en su sitio.
 - Dispositivo de apertura de la válvula de cierre.
- Tapadera; garantiza una higiene óptima. Se abre cuando el depósito de residuos es introducido en el inodoro.
- Válvula de cierre / goma de cierre.
 - Émbolo de ventilación; para vaciar sin derramar.
- Aireación automática; airea el depósito de residuos cuando está introducido en el inodoro de casete. Evita un exceso de presión en el depósito de residuos.
- Asideros superiores; facilitan el transporte y el vaciado.
- Tirador.
- Embudo giratorio; permite vaciar el depósito de residuos de una forma cómoda e higiénica.
- Acceso al depósito de residuos y el embudo; bloquear en la parte exterior del vehículo.

COMPONENTES Y FUNCIONES DEL C4

- Válvula de cierre; abre y cierra la válvula de cierre.
- Asiento y tapa desmontables.
- Botón de lavado.
- Indicador de nivel del depósito de residuos; indica cuando el depósito de residuos está lleno.
- Perno de sujeción; mantiene el depósito de residuos en su sitio.
- Espacio para guardar líquidos para inodoros (sólo en los modelos altos).
- Manguera de vaciado del depósito de agua de lavado.
- Manguera de vaciado e indicador de nivel para el depósito de agua de lavado.
 - Embudo; gira hacia fuera para facilitar el llenado del depósito de agua.
- Dispositivo de apertura de la válvula de cierre.
- Tapadera; garantiza una higiene óptima. Se abre al introducir el depósito de residuos en el inodoro y se cierre al retirarlo del inodoro.
 - Válvula de cierre / goma de cierre.
- Émbolo de ventilación; para vaciar sin derramar.
- Aireación automática; airea el depósito de residuos cuando está introducido en el inodoro de casete. Evita un exceso de presión en el depósito de residuos.
- Asideros superiores; facilitan el transporte y el vaciado.
- Tirador.
- Embudo giratorio; permite vaciar el depósito de residuos de una forma cómoda e higiénica.
- Acceso al depósito de residuos y el embudo; bloquear en la parte exterior del vehículo.

INTRODUCCIÓN

Con la compra del inodoro de casete Thetford dispone de un producto de primera calidad. Su diseño funcional combina un estilo moderno con la comodidad de uso y hace de su inodoro un elemento integrado en el cuarto de baño de su tráiler o su autocaravana. El inodoro de casete ha sido fabricado en material sintético de primera calidad con un acabado de brillo intenso. De este modo, se convierte en un inodoro duradero y fácil de usar y mantener.

El inodoro está compuesto de dos partes: un inodoro fijo montado y un depósito de residuos desmontable y accesible desde el exterior. El depósito de residuos desmontable se encuentra debajo del inodoro y puede ser retirado a través de una pequeña puerta en la parte exterior de la autocaravana o el tráiler.

¡El inodoro de casete Thetford es la solución de los problemas sanitarios en su autocaravana o tráiler!

PREPARACIÓN PARA EL USO

Los puntos 1, 2 y 3 sólo son de aplicación a las versiones C2 y C4; si tiene un inodoro casete de la versión C3 (conectado a la red de agua central de su tráiler o autocaravana), comienza en el punto 4.

C2 y C4

1. Abra la puerta de acceso en el exterior de su autocaravana o tráiler y gire el embudo hacia fuera. Retire el tapón.
2. Añade a través del embudo la cantidad de líquido para inodoros Thetford indicada para el depósito de agua. Este líquido garantiza un lavado mejor y más limpio y mantiene fresca el agua del depósito de agua de lavado. A continuación, rellene el depósito de agua con agua limpia de red.
3. vuelva a enroscar el tapón en el embudo. Ahora, gire el embudo hacia dentro contra el lateral del depósito de agua de lavado.
Nota: Con el depósito de agua vacío quedan 150 ml de agua en el embudo.

C2, C3 y C4

4. Retire el depósito de residuos oprimiendo el perno de sujeción hacia abajo.
5. Saque el depósito de residuos hacia fuera contra el tope. Ladeándolo ligeramente, puede retirar el depósito completamente.
6. Coloque el depósito en posición vertical y gire el embudo hacia arriba.
7. Gire el tapón del embudo con el vaso dosificador en el interior y vierta la cantidad indicada de líquido para inodoros Thetford en el depósito de residuos. Este líquido aligera la descomposición de los residuos, evita olores desagradables en el depósito de residuos y mantiene el interior del depósito de residuos limpio. A continuación, añada aproximadamente 2 litros de agua, de forma que el fondo del depósito de residuos quede completamente cubierto. Enrosque el vaso dosificador nuevamente sobre el embudo. Vuelva a girar el embudo hasta su posición inicial.
Nota: El tapón del embudo se suministra en el mismo envase que estas instrucciones de manejo.
¡Advertencia! No debe nunca añadir líquido para inodoros a través de la válvula de cierre o la taza del inodoro. En el depósito de residuos, este líquido se mezcla inmediatamente con el agua.
8. A través de la pequeña puerta de acceso, vuelva a colocar el depósito de residuos en su posición inicial.
¡Cuidado! No intente nunca forzar la entrada del depósito de residuos cuando no consigue colocarlo en su sitio. Puede causar daños graves.
9. Asegúrese de que el depósito de residuos quede bloqueado con el perno de sujeción. Cierre la puerta de acceso con llave.

MANEJO

El punto 10 se aplica a los inodoros de casete de las versiones C2 y C3. Si tiene un inodoro casete de la versión C4, pase al punto 11.

C2 y C3

10. Introduzca una pequeña cantidad de agua en la taza oprimiendo el botón de lavado o abriendo la compuerta tirando de la palanca de la compuerta debajo de la taza del inodoro. Ahora ya puede usar su inodoro Thetford.

C4

11. Introduzca una pequeña cantidad de agua en la taza girando el botón de lavado hacia la derecha o abriendo la compuerta tirando de la palanca debajo de la taza del inodoro. Ahora ya puede usar su inodoro Thetford.

C2, C3 y C4

12. Después de usarlo, abra la compuerta (si aún está cerrada) girando la válvula de cierre (C4) / el botón de lavado (C2 y C3) hacia la izquierda. Para lavar el inodoro, gire el botón de lavado hacia la derecha (C4) u oprima el botón de lavado (C2 y C3). Después del uso, cierre la válvula de cierre.
¡Cuidado! No deje agua en la taza si no usa el inodoro. No favorece la eliminación de olores desagradables y sólo puede provocar la salida del agua.

C2 y C3

13. El papel higiénico se mantiene limpio y seco en el compartimento integrado, especialmente diseñado al efecto. El rollo de papel higiénico también puede colocarse en el soporte mural especial suministrado con el inodoro.
14. Colocación de un rollo nuevo: Retire el soporte del rollo de papel higiénico del compartimento cogiéndolo por su tapa. Sostenga la parte inferior del soporte en una mano y la tapa en la otra. Gire las dos en sentidos opuestos hasta que escuche un clic. Separe las dos partes. Coloque un rollo nuevo. Sostenga el soporte y la tapa en ambas manos y empuje hasta que encajen. Vuelva a girar las dos partes en sentidos opuestos hasta que queden sujetas. Con el fin de evitar obstrucciones, recomendamos el uso de papel higiénico de disolución rápida Aqua Soft.

VACIADO

El depósito de residuos tiene un contenido de 20 litros. Debe vaciarse a más tardar cuando el indicador de nivel pasa de verde a completamente rojo. Se recomienda vaciar el depósito de residuos antes. El indicador de nivel comienza a pasar de verde a rojo cuando el depósito está a $\frac{3}{4}$ de su capacidad.

- ¡Cuidado!** No deje que el depósito de residuos se llene demasiado.
15. Asegúrese de que la válvula de cierre esté cerrada. Abra la puerta de acceso en el exterior del vehículo. Oprima el perno de sujeción hacia abajo y retire el depósito de residuos.
 16. Lleve el depósito por los asideros hacia un inodoro normal o un lugar de vertido autorizado. Coloque el depósito de residuos en sentido vertical en el suelo y gire el embudo hacia arriba.
 17. Retire el tapón del embudo. Coja el depósito de residuos por el

asidero superior más cercano al embudo. Con la otra mano, coja el asidero posterior de forma que pueda accionar el émbolo de ventilación con el dedo pulgar durante el vaciado. Mantenga el émbolo de ventilación oprimido mientras que el depósito se esté vaciando.

- ¡Cuidado!** ¡No oprima el émbolo de ventilación hasta que el embudo esté colocado hacia abajo!
- De esta forma puede vaciar el depósito sin salpicaduras. Después del vaciado, lave el depósito a fondo con agua. También debe limpiar la válvula de cierre con agua.
18. Si es necesario, prepare el inodoro para utilizarlo de nuevo. Deslice el depósito de residuos en el inodoro y cierre la puerta de acceso.

ALMACENAMIENTO

Si no va a usar su inodoro Thetford por un período prolongado, es importante seguir las siguientes instrucciones.

El siguiente texto sólo es de aplicación al inodoro de casete C3. Si tiene un inodoro de casete C2 o C4, debe seguir las instrucciones de los puntos 19, 20 y 21.

C3

Si tiene un inodoro de casete C3 y no va a utilizar su inodoro durante el invierno, debe seguir el procedimiento de preparación de su autocaravana o tráiler para el invierno: antes de vaciar el sistema central de agua, abra la válvula magnética del inodoro de casete oprimiendo el botón de lavado. Mantenga el botón oprimido (o coloque un objeto pesado sobre el botón de lavado) durante el vaciado del sistema de agua.

C2 y C4

19. Vacíe el depósito de agua completamente a través de la manguera de vaciado, que es al mismo tiempo el indicador de nivel del depósito de agua. Retire la manguera de vaciado/indicador de nivel del anillo de sujeción y tire hacia abajo desde el tapón superior. Gire la manguera de vaciado hacia fuera a través de la apertura de la puerta hasta que el agua salga.

C4

20. A continuación, enjuague un par de veces con la mano hasta que el mecanismo de lavado quede vacío.

C2 y C4

21. Gire el embudo hacia fuera para seguir vaciando el sistema de lavado. Retire el tapón en la parte inferior del embudo para permitir la salida del agua de lavado restante del depósito de agua. Ahora el sistema de lavado del inodoro está completamente vacío.

LIMPIEZA Y MANTENIMIENTO

El obturador del depósito de residuos, el obturador de la aireación automática y el obturador del tapón deben ser limpiados regularmente. Por regla general, en caso de uso frecuente, una limpieza mensual será suficiente.

Aconsejamos que para la limpieza de los obturadores y la compuerta se utilice un producto de limpieza de baños Thetford.

¡Cuidado! No utilice nunca productos de limpieza domésticos (cloro, disolventes u otros productos de limpieza con acción fuerte). Estos productos pueden causar daños irreversibles a los obturadores y demás componentes del inodoro.

- Pulverice el inodoro con el producto de limpieza Thetford.
- Enjuague la taza con agua y limpie el resto del inodoro con un paño húmedo.
¡Sugerencia! Para un inodoro más brillante, debe secar el inodoro después de la limpieza con un paño suave y seco.
- Secar los obturadores y la compuerta a fondo, untarlos con aceite de oliva y, a continuación, limpiarlos con un paño o un trozo de papel higiénico. Repita esta operación si los obturadores y la compuerta están sucios o si la apertura y el cierre de la compuerta se hace cada vez más difícil.
¡Cuidado! No utilice nunca vaselina o aceites vegetales distintos del aceite de oliva. Pueden causar fugas.

Si no va a utilizar el inodoro durante un período prolongado, es aconsejable limpiar los obturadores darles un ligero tratamiento con aceite de oliva. De este modo, los obturadores se mantienen en buen estado (flexibles).

Nota: El anillo de cierre de la compuerta es un componente de su inodoro especialmente susceptible al desgaste. Dependiendo de la frecuencia y la forma de mantenimiento, su funcionalidad disminuye después de algún tiempo y es necesario sustituir el anillo de cierre.

USO DURANTE EL INVIERNO

Puede utilizar su inodoro casete Thetford normalmente con tiempo frío, siempre que el inodoro se encuentre instalado en un espacio con calefacción. En caso contrario, existe un peligro de congelación. En este caso, recomendamos el vaciado del inodoro siguiendo las instrucciones del capítulo 'Almacenamiento'.

Con el fin de evitar la contaminación del medio ambiente, no se recomienda el uso de anticongelantes como, por ejemplo, los utilizados en los radiadores de los automóviles.

GARANTÍA THETFORD

Thetford B.V. ofrece a los usuarios finales de sus productos una garantía de dos años. En el caso en que se produjeran defectos dentro del período de garantía, Thetford sustituirá o reparará el producto. En este caso, los gastos de sustitución, la mano de obra para la sustitución de piezas defectuosas y/o los gastos de las propias piezas serán por cuenta de Thetford.

1. Para tener derecho a esta garantía, el usuario debe llevar el producto a un Centro de Servicio reconocido por Thetford. En este centro se evaluará el derecho de reclamación.
2. En el caso en que, para la reparación, determinadas piezas del producto en garantía fueran sustituidas, dichas piezas serán propiedad de Thetford.
3. Esta cláusula de garantía no afecta a la legislación para la protección del consumidor actualmente en vigor.

4. Esta garantía no será de aplicación a los productos que estén siendo utilizados o hayan sido utilizados con fines comerciales.
5. El derecho de garantía caducará en cualquiera de los siguientes supuestos:
 - El producto ha sido utilizado inadecuadamente o las instrucciones del manual no han sido respetadas;
 - El producto no ha sido instalado conforme a las instrucciones;
 - Se han introducido cambios en el producto;
 - El producto ha sido reparado por un Centro de Servicio no reconocido por Thetford;
 - El número de serie o el código del producto ha sido modificado;
 - El producto ha sido dañado por circunstancias fuera del uso normal del producto.

ATENCIÓN AL CLIENTE

Para más información o preguntas respecto de su inodoro, visite nuestra página web www.thetford-europe.com. Aquí encontrará un gran número de preguntas, problemas y soluciones, instrucciones de reparación, sugerencias y una lista de concesionarios Thetford de su zona. Si tuviera más preguntas u observaciones, póngase en contacto con el departamento de Atención al Cliente de su país (vea las direcciones al dorso de este manual).

RESPONSABILIDAD

Thetford no será responsable de la pérdida y/o los daños que deriven directa o indirectamente del uso del inodoro.