

Tools needed

- Flat-blade screwdriver
- Adjustable Wrench
- Pliers

Note:

- Read all instructions before beginning work.

To Remove Toilet From Floor

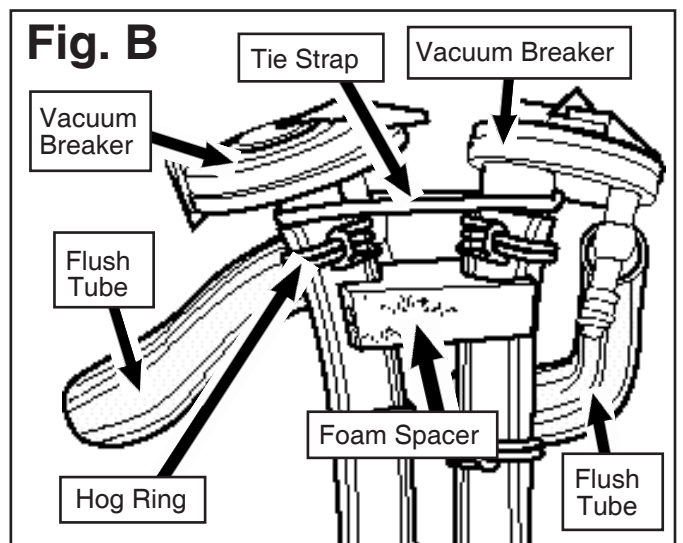
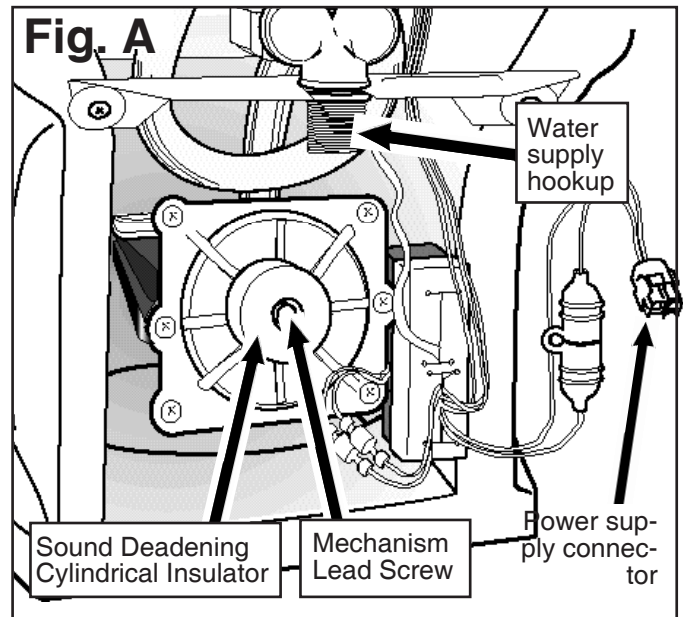
1. Turn off RV water supply per RV Owner's Manual.
2. Press both keypad buttons at the same time, twice, to open blade and drain bowl of water. *If Mechanism does not work, you will have to open the valve manually. Remove the Sound Deadening insulation (except the pad shown in Fig. A) from the back of the Mechanism to access the Mechanism Lead Screw. Use a 5/16" socket wrench to turn the screw and open the valve.*
3. Pry off Bolt Caps with screwdriver. Use wrench to remove 1/2-inch Lag Screws.
4. Swivel Toilet to gain access to back.
5. Turn off RV's power supply to the Toilet.
6. Disconnect Water Supply Line (Fig. A).
7. Disconnect Toilet's 12-volt power hookup to RV.
8. Place an old towel or soft cloth on work surface. Remove Toilet from floor and place right-side-up, facing you, on work surface.
9. Remove old Closet Flange Seal (may be found in toilet or in floor at Closet Flange). Discard.
10. Cover Holding Tank opening to contain odor.

To Remove Old Part

1. Remove Foam Spacer Insert. Discard.
2. Cut Vacuum Breaker Tie Strap. Remove and discard.
3. Using pliers, squeeze and lower the upper Hog Ring Clamps on Tube.
4. Rock Vacuum Breaker back and forth from Flush Tubes (without Clamps) to separate Vacuum Breaker from Tubes. Remove other Tubes to free Vacuum Breaker. Discard old Vacuum Breaker.

To Replace Part

1. Push Solenoid Tube over barb on new Vacuum Breakers.
2. Move one Clamp over Vacuum Breaker barb (about an inch from end of Tube). Repeat with second Clamp.
3. Insert Tube onto barb at Flush Tube. Repeat for second Vacuum Breaker/Tube Assembly.
4. Replace new Foam Spacer.
5. Place new Tie Strap around and above two Vacuum Breaker/Hose connections. Secure and trim excess to desired length.



To Replace Toilet To Floor

1. Secure new Closet Flange Seal, lip side up, to Toilet.
2. Position Toilet over flange.
3. Reconnect Water Supply Line.
4. Reconnect 12-volt power supply to Toilet.
5. Reconnect RV's power supply to the Toilet.
6. Turn on RV's water supply. Press Toilet flush button to close blade and to flush test.
7. Secure to floor with Lag Screws. Tighten.
8. Resecure Bolt Caps.