



### To the Installer:

Please affix this envelope containing the Owner's Manual adjacent to the refrigerator.

### To the Consumer:

Please retain these instructions for future reference.



#### FIRE OR EXPLOSION HAZARD

If you smell gas:

1. Open Windows
2. Do not attempt to light appliance.
3. Do not touch electrical switches.
4. Extinguish any open flame
5. Shut off fuel supply.
6. Evacuate immediately and call emergency services.

Failure to follow these instructions could result in fire or explosion, which could cause property damage, personal injury, or death.



Improper installation, adjustment, alteration, service or maintenance can cause injury or property damage. Refer to this manual. For assistance or additional information, contact a qualified installer, service agency, or the gas supplier.

#### FOR YOUR SAFETY

Do not store or use gasoline or other flammable vapors and liquid in the vicinity of this or any other appliance.

# Owner's Manual

## Safety Instructions



- Do not remove the round ground prong from any of the AC power cords.
- At regular intervals, make sure that the refrigerator flue the burner, the vent areas, and the ventilation air pathway between the vents are completely free from any flammable material or blockage. After a period of storage, it is especially important to check these areas for any flammable material or blockage caused by animals.

## About Your Refrigerator

### Storage Volume:

This refrigerator is made for storage of foods and frozen food and for making ice.

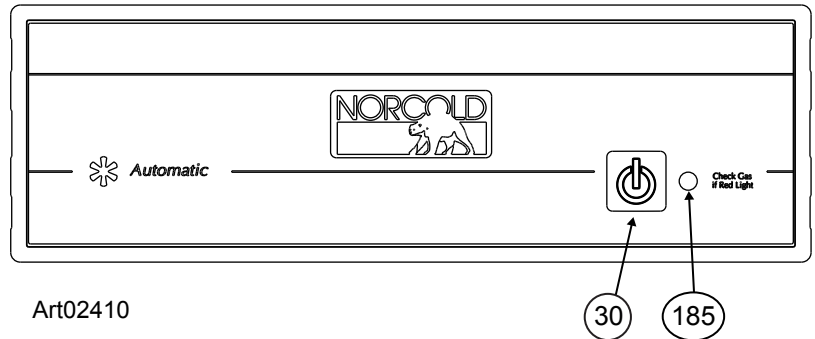
Total capacity	N611v models	N811v models
	6.3 cubic feet	7.5 cubic feet

## Operating the Refrigerator Controls

### Start the controls for automatic operation:

Push and release the ON/OFF button [30] to start the refrigerator (See Art02410).

- If the indicator light [185] glows solid green, it means that:
  - 120 volt AC power is available to the refrigerator.
  - The refrigerator is operating on AC electric power.
- If the indicator light [185] glows solid amber, it means that:
  - 120 volt AC power is not available to the refrigerator.
  - The refrigerator is operating on propane gas.
- If the indicator light [185] glows solid red, it means that:
  - There is a problem and the refrigerator is not cooling.
  - Refer to the "Fault Code" section of this manual.



To shut down the refrigerator, push and release the ON/OFF button.

## Refrigerator Temperature Control

---

The temperatures of the freezer and refrigerator compartments are automatically kept at a fixed setting that is within the established guidelines for safe food storage. If you wish to change the fixed setting, you must move the thermistor. To move the thermistor:

- Pull the thermistor and clip off of the fin.
- Push the thermistor and clip onto a different fin.
  - Move the thermistor to the left for a colder temperature setting or move to the right for a warmer temperature setting.
    - Move the thermistor and clip only three (3) or four (4) fins at a time.
    - Allow the temperature of the refrigerator compartments become stable.

### **NOTICE**

*You may wish to place a thermometer inside the refrigerator compartment to help with this process.*

- If more adjustments are necessary, repeat the steps above.

## Effects of High Altitude on Propane Gas Operation

---

When you operate the refrigerator on propane gas at altitudes higher than 5500 feet above sea level:

- You may experience reduced cooling performance of the refrigerator.
- You may experience burner outages.

To avoid these possible problems, Norcold recommends that you operate the refrigerator on AC when at altitudes higher than 5500 feet above sea level.

## Effects of Freezing Temperatures on Refrigerator Operation

---

A gas absorption refrigerator is not designed to operate in freezing temperatures. If the refrigerator is not equipped for low temperature operation, and if the cooling system of the refrigerator is exposed to temperatures of 32° F. or lower for an extended period of time, the refrigerator operation may be disrupted. The refrigerator operation will resume when the cooling system of the refrigerator warms sufficiently.

If the refrigerator is equipped for low temperature operation, the refrigerator will operate in temperatures down to 0° F.

Disrupted operation of the refrigerator, due to extended exposure to temperatures of 32° F. or lower, and any costs incurred to warm the cooling system of the refrigerator are not covered by the Norcold limited warranty. Please contact your local RV dealer for information about how to resume refrigerator operation or about how to equip your refrigerator for operation in freezing temperatures.

Do not change the installation or the venting of your refrigerator. Refrigerator failures, which are the result of changes to either the refrigerator installation or to the venting, are not covered by the Norcold limited warranty.

## Refrigerator Care Checklist

---

Your refrigerator will give you years of trouble free service if you do these simple checks every three to six months:

- Make sure the air flow in the lower intake vent, through the refrigerator coils and condenser, and out the upper exhaust vent is not blocked or decreased.
- Make sure the area behind the refrigerator is clear. Do not use the area behind the refrigerator for storage of anything, especially gasoline and other flammable vapors and liquids.

## Defrosting

---

The cooling fins of the refrigerator operate at below freezing temperature and will naturally form frost from humidity, which is always present in the air. The humidity inside the refrigerator increases:

- with higher outside temperature and humidity.
- with the storage of non-sealed fresh foods or warm foods.
- with the amount of time that the door(s) are open.
- with any air leakage into the refrigerator.

Although the refrigerator is not frost-free, it is made to limit frost on the cooling fins. At regular intervals, the temperature control system automatically melts most of the frost from the cooling fins. The water from the cooling fins drains into a collection cup that is attached to the back of the refrigerator. The heat of the cooling system evaporates the water from the collection cup.

It is normal for frost to collect inside the freezer. Excess frost decreases the cooling performance of the refrigerator. Defrost the refrigerator and freezer as necessary:

- Remove all food from the refrigerator.
- Turn the refrigerator OFF.

### **NOTICE**

*Defrosting the refrigerator makes excess water inside the refrigerator.*

- Remove the drain hose from the drip cup at the rear of the refrigerator.
- Put the drain hose into a half-gallon or larger container to capture water.
- Put dry towels (etc.) inside the refrigerator and freezer to absorb melted frost.



**High temperatures can cause the inside surfaces of the refrigerator to warp or melt. Do not use pans of HOT water, a hair dryer, or any other high temperature devices to defrost the refrigerator. Do not use any hard or sharp objects to remove frost. Damage to the interior of the refrigerator can occur.**

- To increase the speed of defrosting, put pans of WARM water in the refrigerator and freezer.
- Remove the wet towels (etc.) and dry the interior.
- Remove the drain hose from the large container and put the drain hose back into the drip cup.
- Remove the large container from the enclosure.
- Start up the refrigerator.
- Allow the refrigerator to cool down.
- Return all food to the refrigerator.

## Refrigerator Maintenance Checklist

---

Have a qualified RV dealer or a Norcold authorized service center do these annual safety and maintenance checks:

- Examine the gas supply lines for leaks.
- Make sure the propane gas pressure is 11 inches of water column.
- Make sure the combustion seal is complete and intact.
- Make sure the burner and the burner orifice are clean.
- Make sure the electrode spark gap is 1/8 - 3/16 inch.
- Make sure the AC voltage is 108 - 132 volts and the DC voltage is 10.5 - 15.4 volts.
- Make sure the thermocouple tip is clean and secure.
- Make sure the area at the rear of the refrigerator is free of any combustible materials, gasoline, and other flammable vapors and liquids.

## Refrigerator Storage

---

If the refrigerator is stored for an extended period of time, before start up, make sure there are no obstructions in the vents, the ventilation air pathway, the burner, the orifice, or the flue area.

## Refrigerator Maintenance

---

### Gas flame appearance:

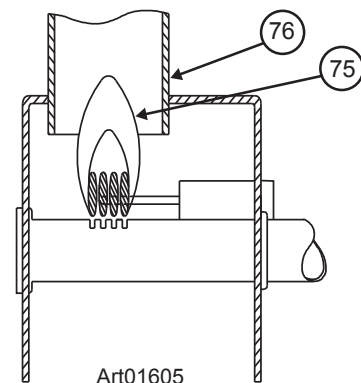
While in GAS operation, examine the appearance of the gas flame:

- Turn the temperature switch to the COLDEST position.
- Open the lower intake vent.



**The burner box cover can be hot. Wear gloves to avoid burns.**

- Remove the burner box cover by removing the screw.
- Look at the gas flame [75] (See Art01605).
  - The flame should be:
    - a darker blue color on the inside of the flame and a lighter blue color on the outside of the flame.
    - a constant shape without flickering.
  - Contact your dealer or Norcold authorized service center if the flame is:
    - yellow
    - flickering or changing shape.



- Make sure the flame does not touch the inside of the flue tube [76].
- If the flame touches the inside of the flue tube, contact your dealer or Norcold authorized service center.
- Close the burner box door.

### Remove and clean the burner orifice:

Your dealer or Norcold authorized service center must do this procedure.

Remove and clean the burner orifice (See Art00956):

- Close the valve at the propane gas tank(s).
- Push and release the ON/OFF button to shut down the refrigerator.



**The burner box cover can be hot. Wear gloves to avoid burns.**

- Open the lower intake vent.
- Remove the drip cup by removing the screw.
- Remove the burner box cover by removing the screw.



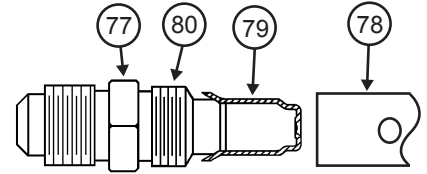
**To avoid possible propane gas leaks, always use two wrenches to loosen and tighten the gas supply line connections.**

- Remove the flare nut from the orifice assembly [77] (See Art00956).
- Remove the burner [78] from the orifice assembly.



**Do not try to remove the orifice [79] from the orifice adapter [80] when cleaning. Removal will damage the orifice and seal of the orifice and can cause a propane gas leak. Leaking propane gas can ignite or explode which can result in dangerous personal injury or death. Do not clean the orifice with a pin or other objects.**

- Clean the orifice assembly with air pressure and alcohol only.
- Using a wrench, assemble the orifice assembly to the burner.
- Assemble the flare nut to the orifice assembly.
- Examine all of the connections for gas leaks.
- Clean the burner box.
- Assemble the burner box cover.
- Assemble the drip cup.



Art 00956

## Remove the Refrigerator

---

Your dealer or Norcold authorized service center must do this procedure.



**The rear of the refrigerator has sharp edges and corners. To prevent cuts or abrasions when working on the refrigerator, be careful and wear cut resistant gloves.**

1. Close the valve at the propane gas tank(s).



**To avoid possible propane gas leaks, always use two wrenches to loosen and tighten the gas supply line connections.**

2. Remove the AC power cord(s) from the receptacle.
3. Remove the DC wiring from the refrigerator:
  - Put a mark on the DC wires so you can put them back in the correct location.
  - Remove the DC fuse or remove the DC wiring from the battery or the converter.
  - Remove the DC wires from the refrigerator.
4. Open the lower intake vent and remove the gas supply line from the bulkhead fitting of the refrigerator.
5. Remove the plastic plugs from the mounting flanges of the refrigerator.
6. Remove the screws from the mounting flange at the rear of the refrigerator.
7. Remove the screws from the upper and lower mounting flanges on the front of the refrigerator.
8. Remove the refrigerator from the opening.

## Reinstall the Refrigerator

---

Your dealer or Norcold authorized service center must do this procedure.



**Make sure the combustion seal is not broken, is completely around the refrigerator mounting flanges, and is between the mounting flanges and the wall of the enclosure. If the combustion seal is not complete, exhaust fumes can be present in the living area of the vehicle. The breathing of exhaust fumes can cause dizziness, nausea, and in extreme cases, death.**

1. Push the refrigerator completely into the enclosure.
2. Install the screws in the upper and then the lower mounting flanges on the front of the refrigerator.
3. Install the screws in the mounting flange at the rear of the refrigerator.
4. Put the plastic plugs into the mounting flanges of the refrigerator.



**To avoid possible propane gas leaks, always use two wrenches to loosen and tighten the gas supply line connections.**

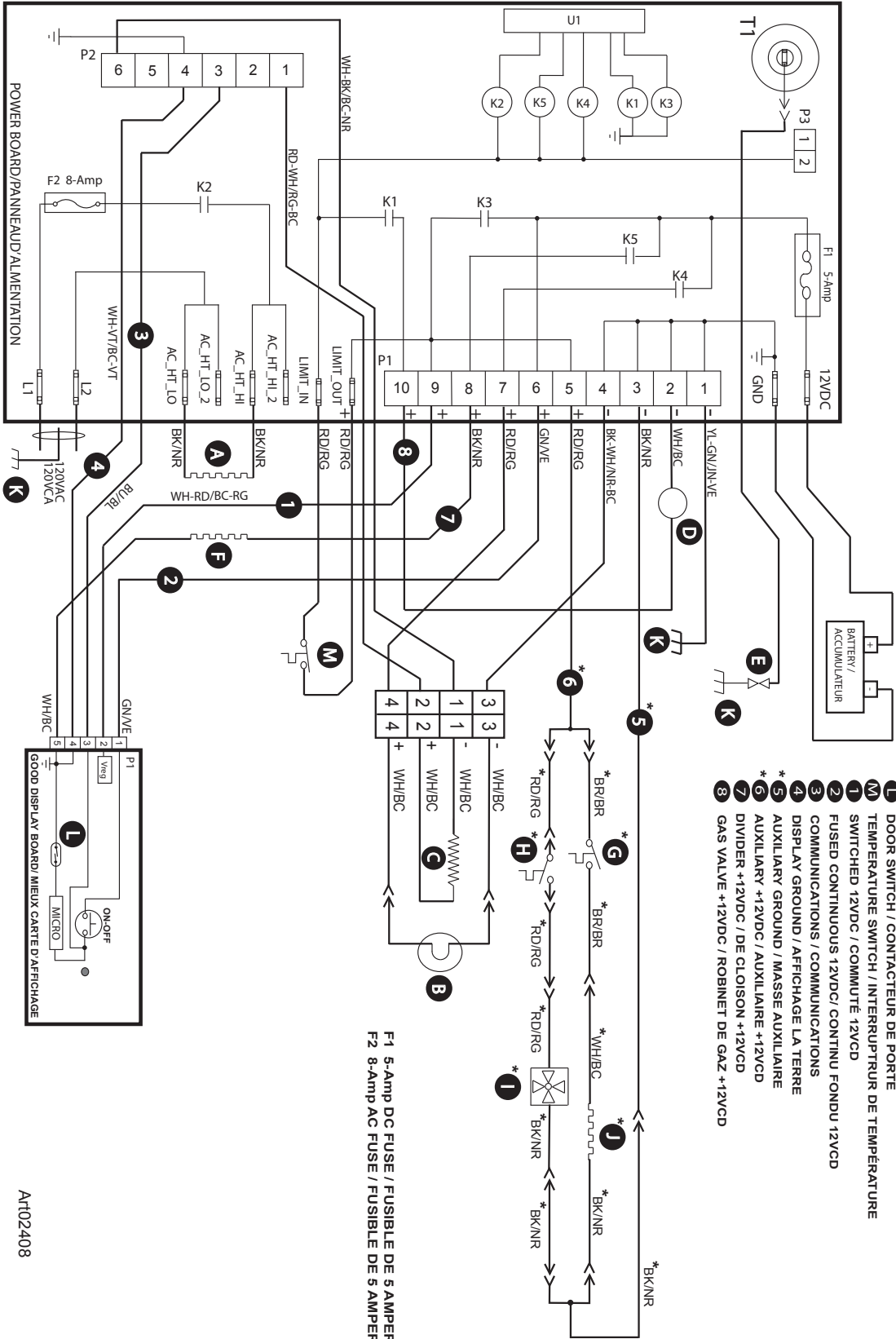
5. Attach the gas supply line to the bulkhead fitting of the refrigerator.
6. Open the valve at the propane gas tank(s).



**Do not allow the leak checking solution to touch the electrical components. Many liquids are electrically conductive and can cause electrical shorts and in some cases, fire.**

7. Examine the gas supply line for leaks.
8. Connect the DC wiring to the refrigerator:
  - Connect the DC wires to the refrigerator.
  - Install the DC fuse or connect the DC wiring to the battery or the converter.
9. Connect the black AC power cord to the receptacle.

# Wiring Diagram

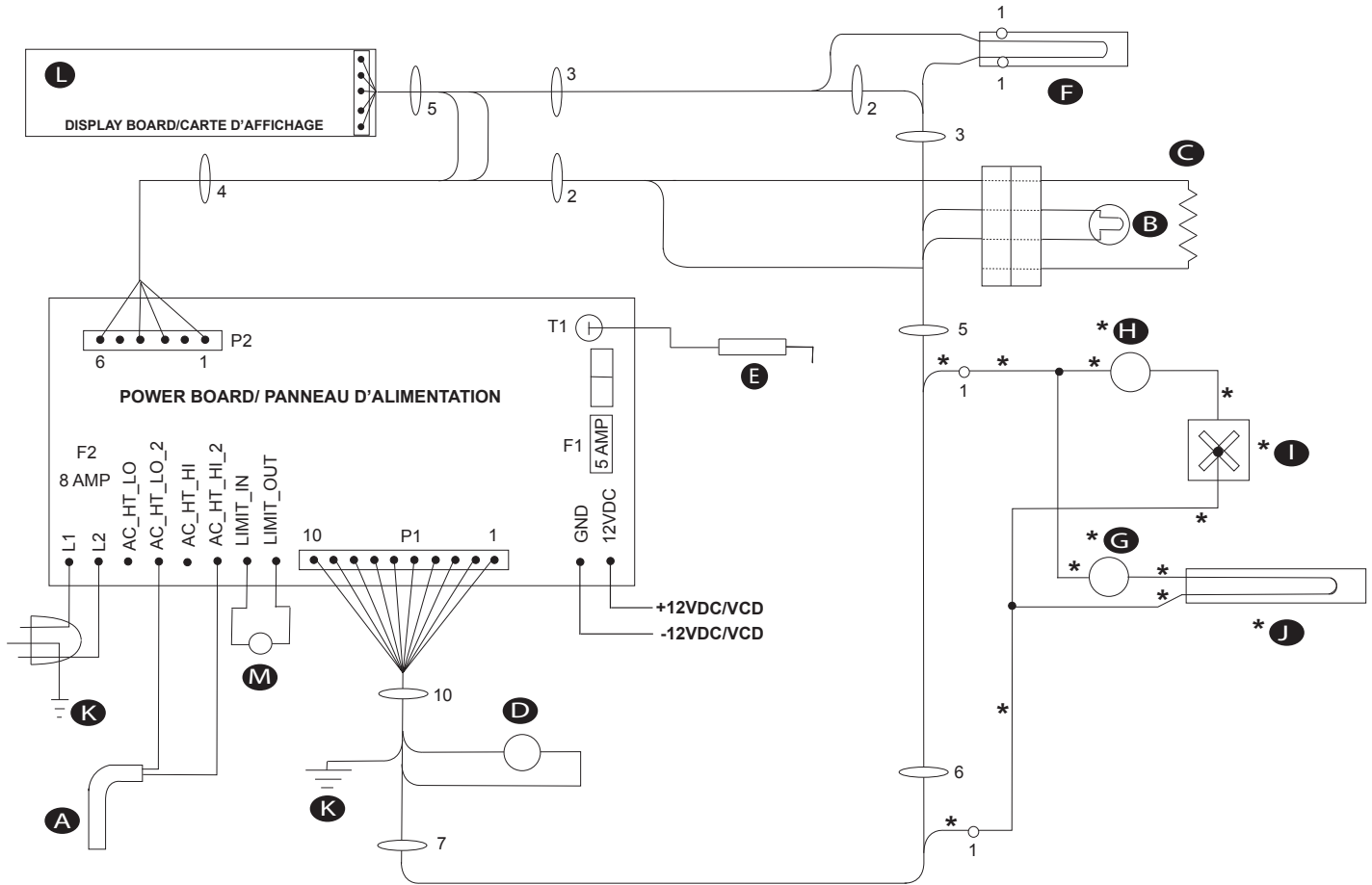


- \* OPTIONAL / EN OPTION
- A AC HEATER / ELEMENT CHAUFFANT CA
- B LIGHT / LAMPE
- C THERMISTOR / THERMISTANCE
- D GAS VALVE / ROBINET DE GAZ
- E IGNITER / ALLUMEUR
- F DIVIDER HEATER / ELEMENT DE CLOISON
- G TEMPERATURE SWITCH / INTERRUPTEUR DE TEMPERATURE
- H TEMPERATURE SWITCH / INTERRUPTEUR DE TEMPERATURE
- I FAN / VENTILATEUR
- J IM WATER LINE HEATER / CHAUFFERETTE DU TUYAU D'EAU DE LA MACHINE A GLAÇONS
- K CHASSIS GROUND / MASSE DU CHASSIS
- L DOOR SWITCH / CONTACTEUR DE PORTE
- M TEMPERATURE SWITCH / INTERRUPTEUR DE TEMPERATURE
- 1 SWITCHED 12VDC / COMMUTE 12VDC
- 2 FUSED CONTINUOUS 12VDC / CONTINU FONDU 12VDC
- 3 COMMUNICATIONS / COMMUNICATIONS
- 4 DISPLAY GROUND / AFFICHAGE LA TERRE
- 5 AUXILIARY GROUND / MASSE AUXILIAIRE
- 6 AUXILIARY +12VDC / AUXILIAIRE +12VDC
- 7 DIVIDER +12VDC / DE CLOISON +12VDC
- 8 GAS VALVE +12VDC / ROBINET DE GAZ +12VDC

F1 5-Amp DC FUSE / FUSIBLE DE 5 AMPERES CD  
 F2 8-Amp AC FUSE / FUSIBLE DE 8 AMPERES CA

Art02408





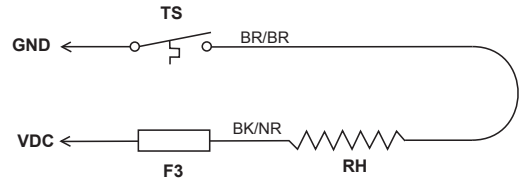
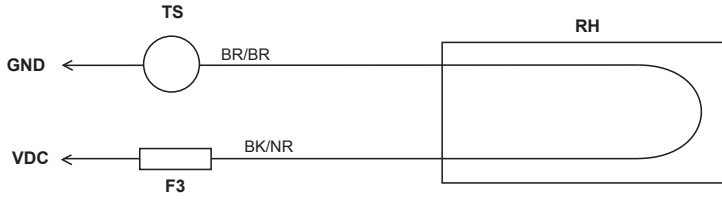
## \* OPTIONAL / EN OPTION

- A** AC HEATER / ÉLÉMENT CHAUFFANT CA
- B** LIGHT / LAMPE
- C** THERMISTOR / THERMISTANCE
- D** GAS VALVE / ROBINET DE GAZ
- E** IGNITER / ALLUMEUR
- F** DIVIDER HEATER / ELEMENT DE CLOISON
- \* **G** TEMPERATURE SWITCH / INTERRUPTRUR DE TEMPÉRATURE
- \* **H** TEMPERATURE SWITCH / INTERRUPTRUR DE TEMPÉRATURE
- \* **I** FAN / VENTILATEUR
- \* **J** IM WATER LINE HEATER / CHAUFFERETTE DU YUYAU D'EAU DE LA MACHINE À GLAÇONS
- K** CHASSIS GROUND / MASSE DU CHASSIS
- L** DOOR SWITCH / CONTACTEUR DE PORTE
- M** TEMPERATURE SWITCH / INTERRUPTRUR DE TEMPÉRATURE

Art02409

## Wiring Diagram and Pictorial - Low Ambient Heater (optional)

---



Art02312-1

### **NOTICE**

*This kit supplies DC voltage to the heater any time the ambient temperature is low enough. Extended storage during cold weather will drain the vehicle batteries. To prevent battery drain, remove the 3 amp fuse from the low ambient heater.*

## Replacement Parts

---

You may purchase replacement parts through your local RV dealer or authorized Norcold Service Center.

## Fault Codes

### NOTICE

The refrigerator is not cooling, if the indicator light is either on solid red or flashes on red.

Indicator Light and Color	Meaning	Corrective Actions
Green, flashes off once every 20 seconds	The refrigerator is operating on AC electric power. The thermister sensed inoperable, so temperature is being controlled by backup operating system.	Check: <ul style="list-style-type: none"> <li>- That the thermister is plugged in.</li> <li>- See your dealer or authorized Norcold Service Center.</li> </ul>
Amber, flashes off once every 20 seconds.	The refrigerator is operating on propane gas. The thermister sensed inoperable, so temperature is being controlled by backup operating system.	Check: <ul style="list-style-type: none"> <li>- That the thermister is plugged in.</li> <li>- See your dealer or authorized Norcold Service Center.</li> </ul>
Red, on solid.	No AC input sensed available. Refrigerator defaulted to propane gas operation, but did not establish a flame (gas lockout).	Check: <ul style="list-style-type: none"> <li>- That the refrigerator is plugged into a servicable outlet.</li> <li>- That the valve of the propane gas tank(s) is open.</li> <li>- That the propane gas is at the correct pressure.</li> <li>- That the manual shut off valve of the refrigerator is open.</li> <li>- That there is not air in the propane gas supply line.</li> <li>- See your dealer or authorized Norcold Service Center.</li> </ul>
Red, flashes on two (2) times every five (5) seconds.	This is a fault within the refrigerator controls.	Turn the refrigerator power OFF and then back ON to reset. If the Fault Code continues, see your dealer or authorized Norcold Service Center.
Red, flashes on three (3) times every five (5) seconds.	A temperature limit swich is open.	This is not owner serviceable. See your dealer or authorized Norcold Service Center.
Red, flashes on four (4) times every five (5) seconds.	This is a problem with the AC heater relay	This is not owner serviceable. See your dealer or authorized Norcold Service Center.
Red, flashes on five (5) times every five (5) seconds.	A flame is present at the burner when there should none.	This is not owner serviceable. See your dealer or authorized Norcold Service Center.
Red, flashes on eight (8) times every five (5) seconds.	The DC voltage to the refirgerator is too low.	Check: <ul style="list-style-type: none"> <li>- That the battery charging equipment of the vehicle is operational.</li> <li>- That the AC/DC converter is operational (if applicable).</li> <li>- See your dealer or authorized Norcold Service Center.</li> </ul>
Red, flashes on nine (9) times every five (5) seconds.	The DC voltage to the refirgerator is too low to support cooling when operating on propane gas.	Check: <ul style="list-style-type: none"> <li>- That the battery charging equipment of the vehicle is operational.</li> <li>- That the AC/DC converter is operational (if applicable).</li> </ul> See your dealer or authorized Norcold Service Center.

# Installation Manual

## Safety Instructions

---



- This refrigerator is not approved for use as a free standing refrigerator. It is equipped for the use of propane gas only and can not be changed to use any other fuels (natural gas, butane, etc.).
- Incorrect installation, adjustment, alteration, or maintenance of this refrigerator can cause personal injury, property damage, or both.
- Obey the instructions in this manual to install intake and exhaust vents.
- Do not install the refrigerator directly on carpet. Put the refrigerator on a metal or wood panel that extends the full width and depth of the refrigerator.

## Certification and Code Requirements

---

The refrigerator installation must conform to the following, as applicable:

### In the United States and Canada:

- Local codes, or in the absence of local codes, the National Fuel Gas Code, ANSI Z223.1/NFPA 54, the Natural Gas and Propane installation Code, CSA B149.1, ANSI A119.2 Recreational Vehicles Code, and CSA Z240 RV Series, Recreational Vehicles.
- A manufactured home (mobile home) installation must conform with the Manufactured Home Construction and Safety Standard, Title 24 CFR, Part 3280 [formerly the Federal Standard for Mobile Home Construction and Safety, Title 24 (part 280), and the current CSA Z240.4, Gas-equipped Recreational Vehicles and Mobile Housing.
- If an external power source is utilized, the appliance, when installed, must be electrically grounded in accordance with local codes or, in the absence of local codes, the National Electrical code, and ANSI/NFPA 70, or the Canadian Electrical Code, CSA C22.2. Parts 1 and 2.

All propane gas supply piping and fittings must obey local, state, and national codes about type and size. These components must also obey the current NFPA 1192 section 2-4, and in Canada with the current CAN 1-6.10 Standard.

## Ventilation Requirements

---



The completed installation must:

- Make sure there is sufficient intake of fresh air for combustion.
- Make sure the living space is completely isolated from the combustion system of the refrigerator.
- Make sure there is complete and unrestricted ventilation of the flue exhaust which, in gas mode, can produce carbon monoxide. The breathing of carbon monoxide fumes can cause dizziness, nausea, or in extreme cases, death.

The bottom of the opening for the lower intake vent, which is also the service access door, must be even with or immediately below the floor level. This allows any leaking propane gas to escape to the outside and not to collect at floor level.

CSA International certification allows the refrigerator to have zero (0) inch minimum clearance at the sides, rear, top, and bottom. While there are no maximum clearances specified for certification, the following maximum clearances are necessary for correct refrigerator performance:

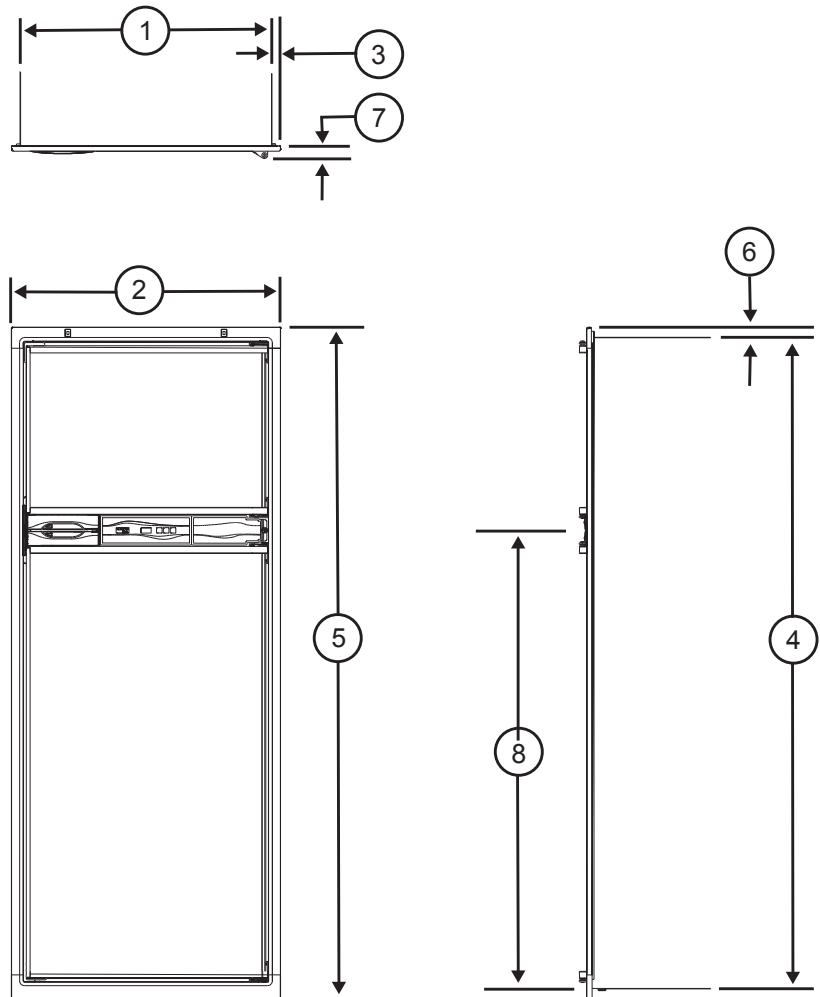
Bottom	0 inch min.	0 inch max.
Each Side	0 inch min.	1/2 inch max.
Top	0 inch min.	1/4 inch max.
Rear	0 inch min.	1 inch max.

These clearances plus the lower and upper vents cause the natural air draft that is necessary for good refrigeration. Cooler air comes in through the lower vent, goes up around the refrigerator coils where it removes the excess heat from the refrigerator components, and goes out through the upper vent. If this air flow is blocked or decreased, the refrigerator will not cool correctly.

## Key Refrigerator Dimensions

These key refrigerator dimensions are for your reference as necessary (See Art01733).

Refrigerator cabinet width w/o trim: 23.47 in. max.....	1
Refrigerator width overall w/ trim: 24.6in.....	2
Refrigerator cabinet to side trim: 0.80 in.....	3
Refrigerator cabinet height w/o trim: N600 models - 52.85 in. max. ....	4
N800 models - 59.85 in. max. ....	4
Refrigerator height overall w/ trim: N600 models - 54.5 in. ....	5
N800 models - 61.5 in. ....	5
Refrigerator cabinet to top/bottom trim: 0.93 in.....	6
Enclosure wall to hinges: 1.10 in.....	7
Refrigerator cabinet to center of handles: N600 models - 32.5 in. ....	8
N800 models - 39.5 in. ....	8



Art01733

## Assemble the Enclosure for the Refrigerator

1. Make sure the enclosure is 59.88 - 60.01 inches high for N81X models or 52.88 - 53.01 inches high for N61X models x 23.50 - 23.63 inches wide x 24 inches deep.
2. Make sure the floor is solid and level.
  - The floor must be metal or a wood panel and extend the full width and depth of the enclosure.
  - The floor must be able to support the weight of the refrigerator and its contents.
3. Make sure there are no adjacent heat sources such as a furnace vent, a hot water heater vent, etc.
4. If there is more than 1/2 inch between either side of the refrigerator and the inside of the enclosure:
  - Fill the space with fiberglass insulation or add a baffle to eliminate the excess clearance.
    - Make sure that the rear of the batt-type insulation is between 18 - 19 inches from the face of the enclosure.
    - Securely attach the batt-type insulation to the enclosure so that it remains in this position during refrigerator installation, if it becomes wet, and in windy conditions.

## Install the Lower and Upper Vents

1. Using the following chart, decide which vents and rough opening (RO) sizes to use:

Certified Vent	P/N	RO Height	RO Width
Upper Roof Exhaust Cap	622293	N/A	N/A
Upper Roof Exhaust Vent	616319	24 in.	5 1/4 in.
Lower Metal Intake	616010	13 5/8 in.	21 5/8 in.
Upper Exhaust & Lower Intake Plastic-large	621156	13 3/4 in.	21 1/2 in.
Upper Exhaust & Lower Intake Plastic-small	620505, 636264	6 3/16 in.	17 13/16 in.

2. Install the lower intake vent (See Art01598, Art01599, and Art01602):

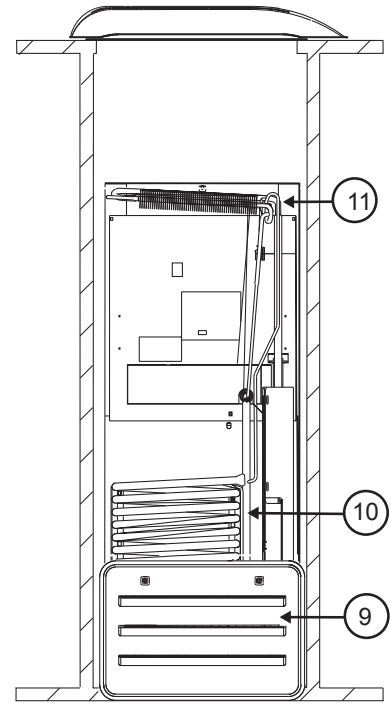
### NOTICE

The lower intake vent is also the service access opening for the components on the rear of the refrigerator.

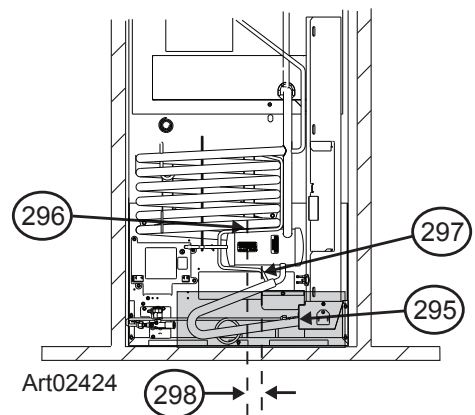
### WARNING

Make sure the bottom of the opening of the lower intake vent is even with or immediately below the floor level. This allows any leaking propane gas to escape to the outside and not to collect at floor level.

- Make sure the bottom of the opening of the lower intake vent [9] is even with or immediately below the floor level.
- When using either 616010 or 621156 vent, align the lower intake vent vertically below the coils [10] and the condenser [11] of the refrigerator.
- When using either 620505 or 636264 vent, make sure that the centerline [297] of the vent rough opening [295] is 1 1/2 inch  $\pm$  1/8 inch [298] to the right of the refrigerator centerline [296] (See Art02424 ).



Art01602



Art02424

3. Install the upper exhaust vent:

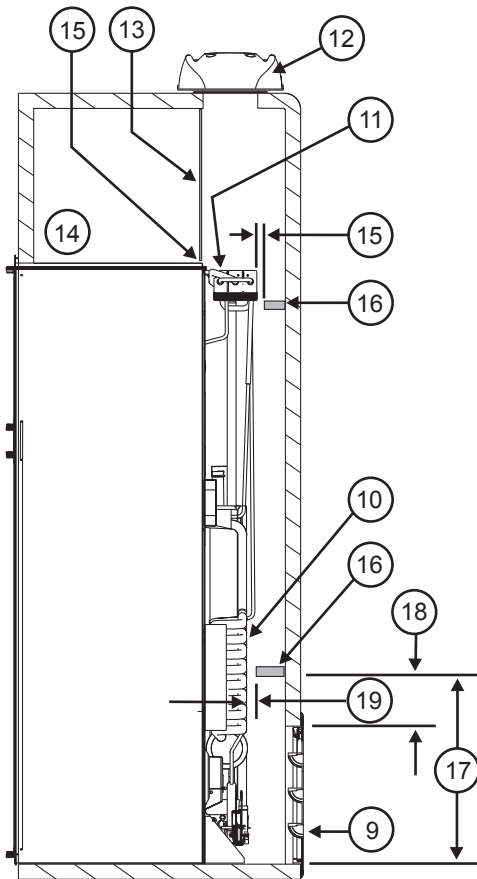


**Make sure that no sawdust, insulation, or other construction debris is on the refrigerator or in the enclosure. Debris can cause a combustion hazard and prevent the refrigerator from operating correctly.**

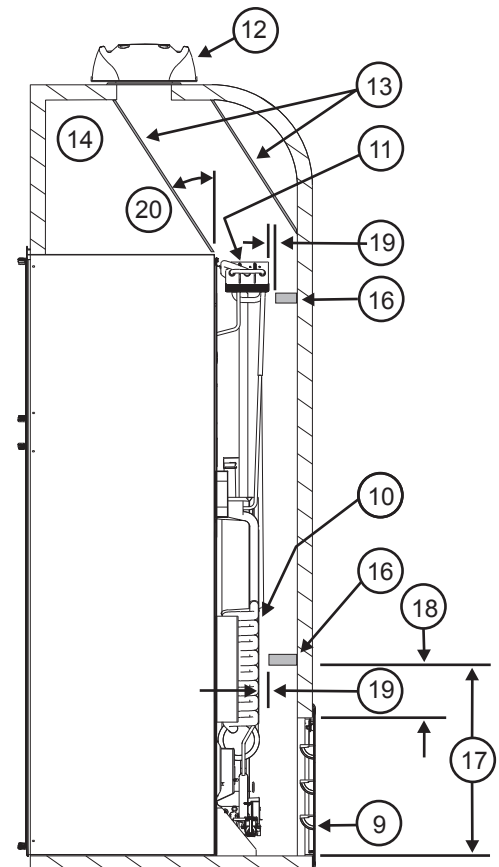


*Tighten the screws of the upper roof exhaust cap to 10 inch-pounds max. Also make sure that the air flow around the upper roof exhaust cap is not blocked or decreased by other roof mounted features such as a luggage carrier, an air conditioner, a solar panel, etc.*

- If the design of the vehicle allows, install the roof exhaust vent [12] directly above the condenser [11] of the refrigerator (See Art01598).
  - Install a baffle [13] to prevent stagnant hot air in the area [14] above the refrigerator.
    - Make sure there is less than 1/4 inch clearance [15] between the baffle and the top of the refrigerator.
    - Make sure the baffle is the full width of the inside of the enclosure.
- If the design of the vehicle does not allow you to install the roof exhaust vent directly above the condenser of the refrigerator (See Art01599).
  - Align the roof exhaust vent [12] above the condenser [11] of the refrigerator and move it inboard as necessary.

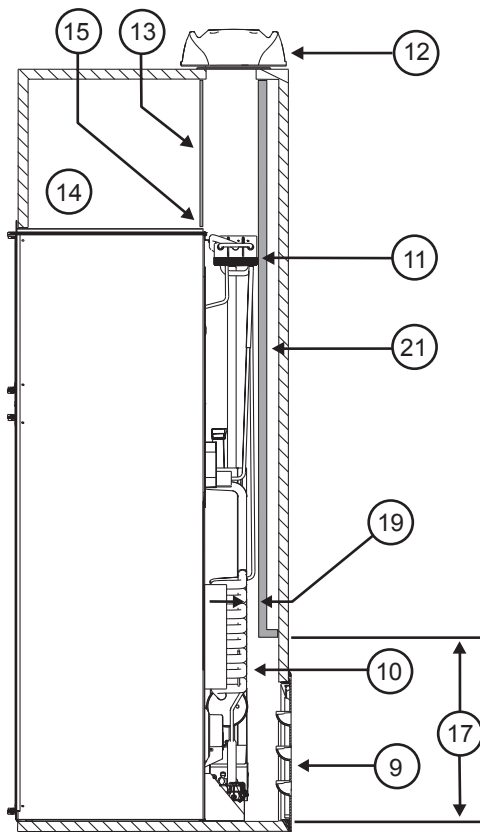


Art01598

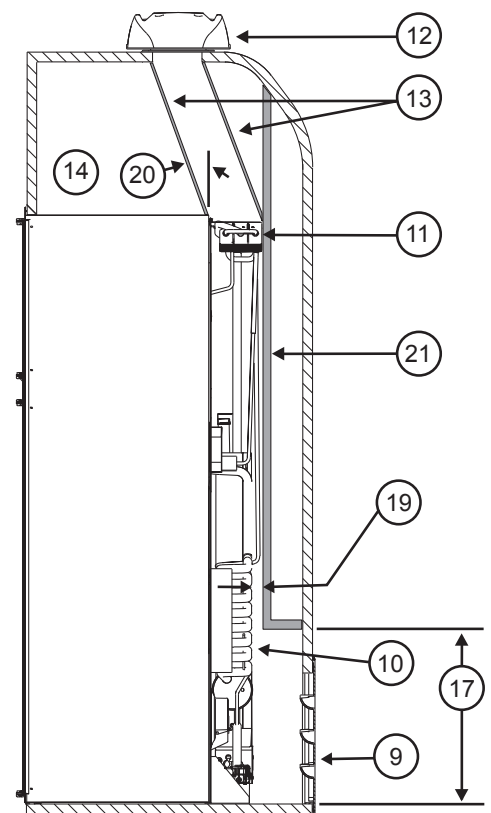


Art01599

- Install two baffles [13] to prevent stagnant hot air in the area [14] above the refrigerator.
  - Make sure the baffles are the full width of the inside of the enclosure.
  - Make sure that the baffles are no more than 45° from vertical [20].
  - Put one baffle between the top rear edge of the refrigerator and the inside edge of the upper exhaust vent opening.
  - Put the other baffle between the outside edge of the upper exhaust vent opening and the side wall of the vehicle.
- If the depth of the enclosure is 24 inches or more and is less than 25 inches, no baffles are necessary at the rear of the enclosure.
- If the depth of the enclosure is 25 inches or more and is less than 26 inches, add two baffles [16] to the rear of the enclosure (See Art01598 and Art01599).
  - Put one baffle 18 inches to 18 1/2 inches above the bottom of the enclosure [17].
  - Put the other baffle at the lowest edge of the condenser [11] of the refrigerator.
    - Make sure that the baffles are 1 inch or less [19] from the coils [10] and condenser of the refrigerator.
    - Make sure that the baffles are the full width of the inside of the enclosure.
- If the depth of the enclosure is more than 26 inches, install a wood or an aluminum or galvanized sheet solid box baffle [21] in the rear of the enclosure (See Art01617-1 and Art01618-1).
  - Make sure that the bottom of the solid box baffle is 18 inches to 18 1/2 inches above the bottom of the enclosure [17].



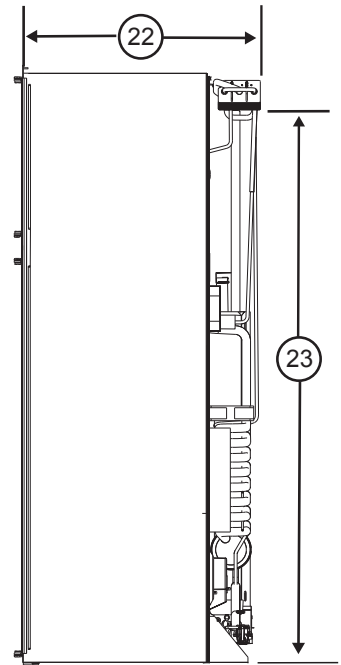
Art01617-1



Art01618-1



- Make sure that the back of the solid box baffle is perpendicular to the bottom of the enclosure.
- Make sure that the back of the solid box baffle is either against the top of the enclosure or against the angled baffle [13] (depending on the vehicle design).
  - Make sure that the solid box baffle is one inch or less [19] from the coils [10] and condenser of the refrigerator.
  - Make sure that the solid box baffle is the full width of the inside of the enclosure.
- If the design of the vehicle does not allow you to install a roof exhaust vent, install an upper side-wall exhaust vent.



Art01601

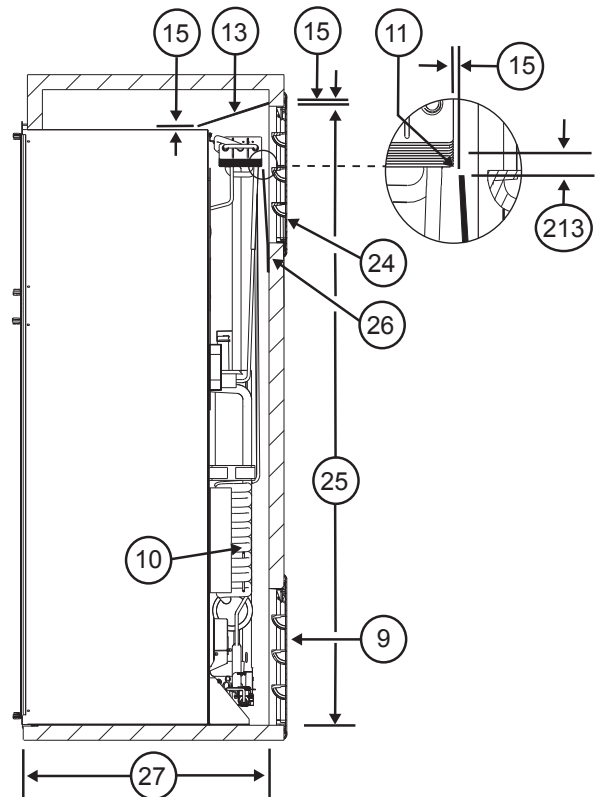
**NOTICE**

The refrigerator is 23.7 in. min. to 24.0 in. max. from the rear of the breaker to the rear of the condenser [22]. N611v models are 47.1 in. min. to 47.4 in. max. from the bottom of the refrigerator to the bottom of the refrigerator condenser [23]. N811v models are 54.1 in. min. to 54.4 in. max. from the bottom of the refrigerator to the bottom of the refrigerator condenser [23] (See Art01601).

**CAUTION**

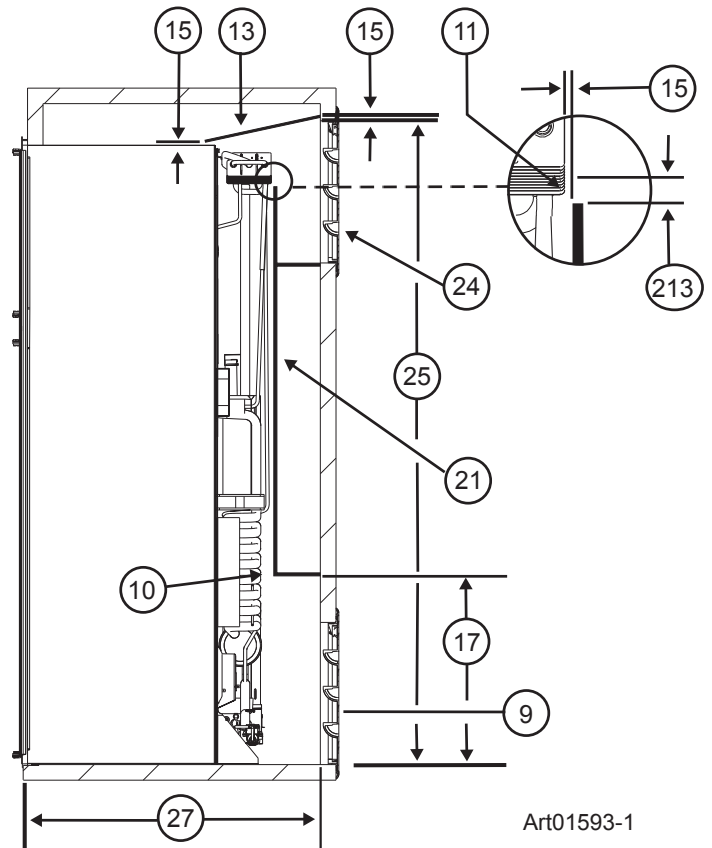
Only use an upper side-wall exhaust vent on refrigerator models that are equipped with a fan. If you use an upper side-wall exhaust vent on a refrigerator model that is not equipped with a fan, the refrigerator cooling performance will be poor.

- Make sure the refrigerator model is equipped with a fan.
- Install the upper side-wall exhaust vent [24] (See Art01592 and Art01593).
  - For N611v models, make sure the distance [25] from the bottom of the enclosure to the top of the rough opening for the upper exhaust vent is at least 55 inches.
  - For N811v models, make sure the distance [25] from the bottom of the enclosure to the top of the rough opening for the upper exhaust vent is at least 62 inches.
  - Align the upper exhaust vent [24] horizontally above the lower intake vent [9] of the refrigerator.
  - To prevent stagnant hot air in the area above the refrigerator, install a wood or an aluminum or a galvanized steel sheet baffle [13] between the top of the refrigerator and the top of the upper exhaust vent.
    - Make sure there is less than 1/4 inch clearance between the baffle and the top of the refrigerator and that the baffle overlaps the refrigerator 1 inch or less.
    - Make sure that the baffle is against the wall of the vehicle at the top of the upper exhaust vent and 1/4 inch or less from the top of the opening for the upper exhaust vent [15].
    - Make sure the baffle is the full width of the inside of the enclosure.
- When using an upper side-wall exhaust vent 621156:
  - If the depth of the enclosure is 24 inches or more and is less than 26 inches [27], install a bent aluminum or galvanized steel sheet baffle [26] to the rear of the enclosure (See Art01592-1).



Art01592-1

- Make sure that the bend of the baffle is the full width of the inside of the enclosure.
- Make sure that the bend of the baffle is flush with the bottom edge of the upper intake vent door frame.
- Make sure that the top edge of the baffle is 1/4 inch [213] below the bottom of the condenser and that there is 1/4 inch or less clearance [15] between the rear of the condenser and the baffle.

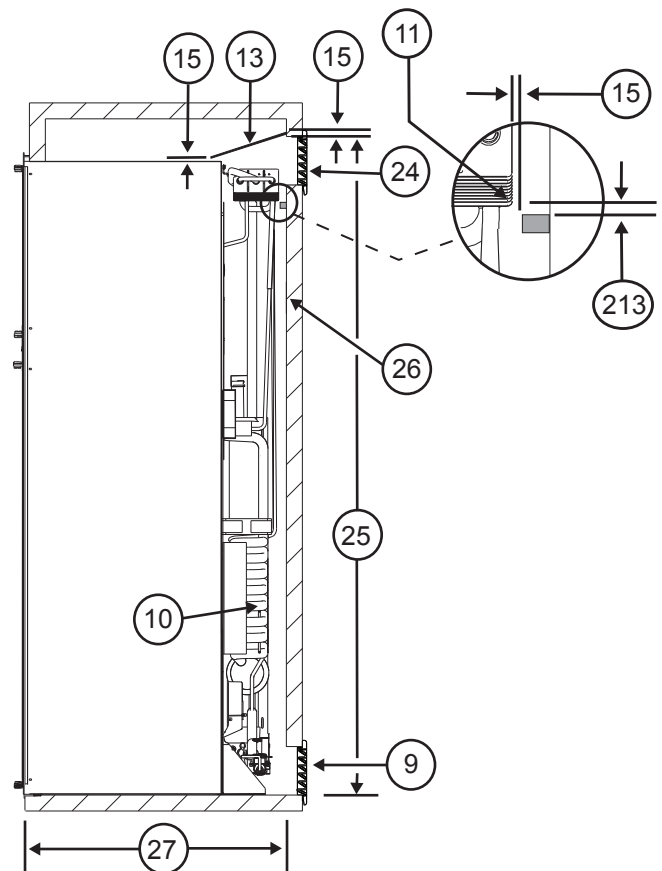


Art01593-1

- If the depth of the enclosure is more than 26 inches [27], install a wood or an aluminum or a galvanized steel sheet solid box baffle [21] between the lower intake vent and the upper exhaust vent (See Art01593-1).
- Make sure that the solid box baffle is the full width of the inside of the enclosure.
- Make sure that the bottom of the solid box baffle is 18 inches to 18 1/2 inches above the bottom of the enclosure [17].
- Make sure that the back of the solid box baffle is perpendicular to the bottom of the enclosure.
- Make sure that the horizontal top of the solid box baffle is even with the bottom edge of the upper exhaust vent [24].
- Make sure that the horizontal top edge of the baffle is 1/2 inch [213] or less below and 1/4 inch or less behind the lower rear corner of the condenser [11].
- Make sure that there is 1/4 inch or less clearance [15] between the rear of the condenser and the baffle.

- When using an upper side-wall exhaust vent 620505 or 636264:

- If the depth of the enclosure is 24 inches or more and is less than 25 inches [27], do not install a baffle.
- If the depth of the enclosure is 25 inches or more and is less than 26 inches [27], install a baffle [16] to the rear of the enclosure (See Art02425).
- Make sure that the baffle is the full width of the inside of the enclosure.



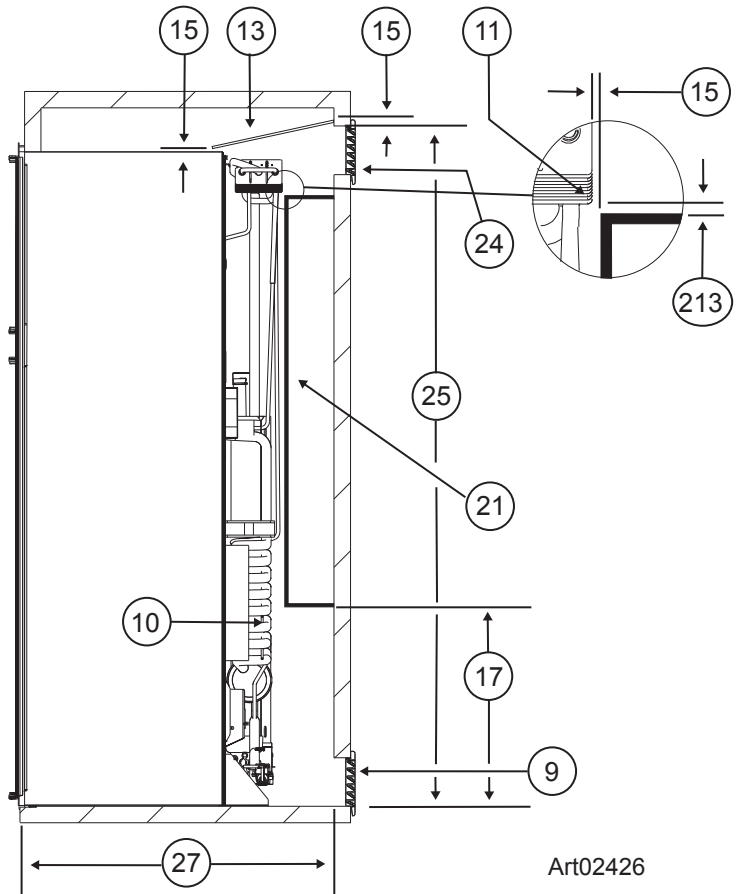
Art02425

- Make sure that the top edge of the baffle is between 1/4 inch and 1/2 inch [213] below the condenser and that there is 1/4 inch or less clearance [15] between the rear of the condenser and the baffle.

- For the best cooling performance, the baffle should be 1/4 inch below the bottom of the condenser.

- If the depth of the enclosure is more than 26 inches [27], install a wood or an aluminum or galvanized steel sheet solid box baffle [21] between the lower intake vent and the upper exhaust vent (See Art02526).

- Make sure that the solid box baffle is the full width of the inside of the enclosure.
- Make sure that the bottom of the solid box baffle is 18 inches to 18 1/2 inches above the bottom of the enclosure [17].
- Make sure that the back of the solid box baffle is perpendicular to the bottom of the enclosure.
- Make sure that the horizontal top of the solid box baffle is even with the bottom edge of the condenser [11].
- Make sure that the vertical top edge of the baffle is between 1/4 inch and 1/2 inch [213] below the condenser.
- Make sure that there is 1/4 inch or less clearance [15] between the rear of the condenser and the baffle.



## Rear wall Installation

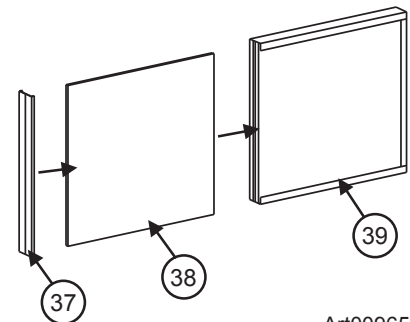
For rear wall installation please refer to special instructions 620918 for additional required instructions.

## Install Decorative Door Panels

### NOTICE

The doors are made to accept decorative panels. The decorative panels must be 3/16 inch or less in thickness. Install the decorative door panels in the refrigerator doors before installing the refrigerator in the vehicle.

- Make an upper door panel that is 21 19/32 inches wide x 14 17/32 inches high.
- Make a lower door panel that is:
  - 21 19/32 inches wide and
  - 31 5/8 inches high (for N611v models) or
  - 38 5/8 inches high (for N811v models).
- Pull the panel retainer [37] off each door (See Art00965).
- Push the decorative door panel [38] into the slots of the door [39].
- Push each panel retainer into the slot on the edge of the door.



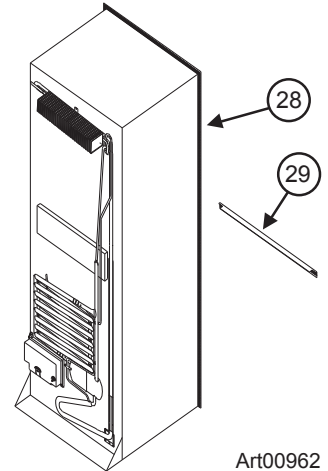
## Install the Refrigerator

Put the refrigerator in position (See Art00963, Art00963, and Art00964):



**Make sure the combustion seal [28] is not broken, is completely around the refrigerator mounting flanges, and is between the mounting flanges and the wall of the enclosure. If the seal is not complete, exhaust fumes can be present in the living area of the vehicle. The breathing of exhaust fumes can cause dizziness, nausea, or in extreme cases, death.**

- Push the refrigerator completely into the enclosure.
- Put the upper trim piece [40] onto the front of the refrigerator.
- put screws [41] through the upper and lower mounting flanges on the front of the refrigerator and into the enclosure wall and floor.
- Put a cap [42] on each of the screw holes in the upper trim piece [40] on the front of the refrigerator.

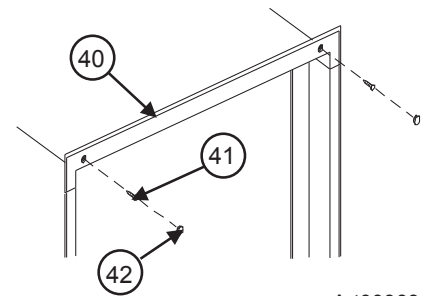


Art00962



**Do not omit the bottom trim piece. This piece is part of the combustion seal.**

- Push the bottom trim piece [29] onto the front of the refrigerator.
- Put two screws [41] through the trim piece, the mounting flange, and into the floor.
- Put screws through the mounting flange on the rear of the refrigerator and into the floor.



Art00963

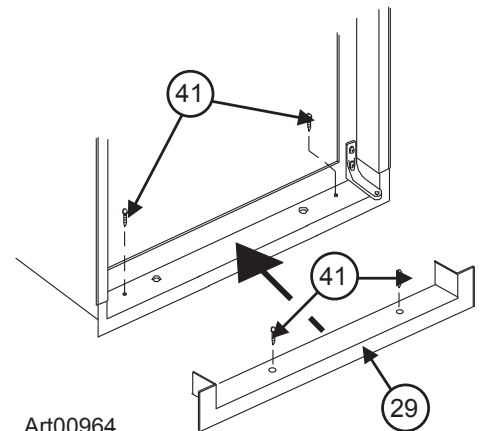
## Connect the Electrical Components

Connect the 120 volts AC supply:



**Connect the AC power cord(s) only to a grounded three-prong receptacle. Do not remove the round ground prong from any of the AC power cords. Do not use a two prong adapter or an extension cord with any of the AC power cords. Operation of the refrigerator without correct ground can cause dangerous electrical shock or death if you are touching the metal parts of the refrigerator.**

- Make sure the receptacle is positioned within easy reach of the lower intake vent.
- Make sure the power cord(s) does not touch the burner cover, the flue pipe, or any hot component that could damage the insulation of the power cord.



Art00964

Connect the 12 volts DC supply:

1. Determine the min. wire size and the max. fuse size to use:



**If you use an incorrect wire size and/or fuse size, electrical fire can result.**

- Use a minimum of 18 AWG wire and a maximum 6 Amp fuse.
- If the wire size is larger than the min. size, use the correct fuse per RVIA A119.2 standard or local codes.

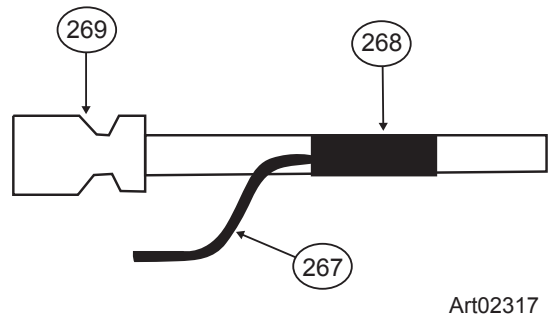
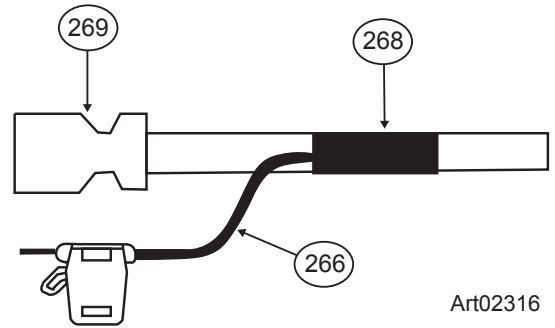
## Connect the Low Ambient Heater (optional)

Connect the low ambient heater wires to the 12 volts DC supply. The black (+) wire of the low ambient heater is 16 AWG and the brown (-) wire is 18 AWG.

1. Cut the 12V input (+) wire behind the quick connect [269]; strip both ends (See Art02316).
2. Solder the wires with the 16AWG black wire [266].
3. Wrap the soldered wires with black electrical tape [268]; BE SURE there are no exposed strands.
4. Cut the 12V ground wire behind the quick connect [269]; strip both ends (See Art02317).
5. Solder the wires with the 18AWG wire [267].
6. Wrap the soldered wires with black electrical tape [268]; BE SURE there are no exposed strands.
7. Connect 12V supply to the input wires.

### NOTICE

*This kit supplies DC voltage to the heater any time the ambient temperature is low enough. Extended storage during cold weather will drain the vehicle batteries. To prevent battery drain, remove the 3 amp fuse from the low ambient heater.*



## Connect the Propane Gas Components

### Connect the propane gas components and examine the gas supply system for leaks:

If you use compressed air for the test:

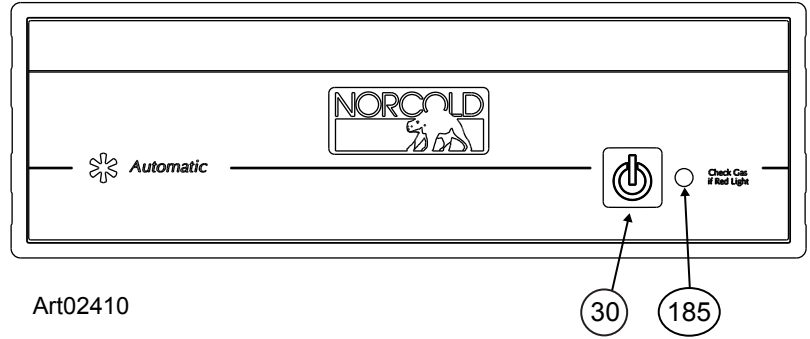
- The pressure of the compressed air at the manual shut off valve of the refrigerator must not be more than 1/2 psig (14 inches Water Column).
- If the pressure of the compressed air is more than 1/2 psig (14 inches Water Column), remove the gas supply line from the bulkhead fitting of the refrigerator before the test.
- If the pressure of the compressed air is equal to or less than 1/2 psig (14 inches Water Column), close the manual shut off valve of the refrigerator before the test.

## Ignition and Start Up

### Automatic Operation:

Push and release the ON/OFF button [30] to start the refrigerator (See Art02410).

- If the indicator light [185] glows solid green, it means that:
  - 120 volt AC power is available to the refrigerator.
  - The refrigerator is operating on AC electric power.
- If the indicator light [185] glows solid amber, it means that:
  - 120 volt AC power is not available to the refrigerator.
  - The refrigerator is operating on propane gas.
- If the indicator light [185] glows solid red, it means that:
  - There is a problem and the refrigerator is not cooling.
  - Refer to the "Fault Code" section of this manual.



### Do a test of the gas safety valve:

1. Remove the AC power cord(s) from the receptacle.
2. Push and release the ON/OFF button to start the refrigerator.
3. Open the lower intake vent.
4. Remove one wire from the solenoid of the gas safety valve at the rear of the refrigerator.
5. Within 30 seconds, the flame should extinguish. This means that the gas safety valve is operating correctly.
6. Put the wire back on the solenoid of the gas safety valve.
7. Reconnect the AC power cord(s) into the receptacle.
8. Close the lower intake vent.

### Shut down:

To shut down the refrigerator, push and release the ON/OFF button.

**À l'intention de l'installateur :**  
Prière d'apposer cette enveloppe contenant le Manuel de l'utilisateur à côté du réfrigérateur.

**À l'intention du client :**  
Prière de conserver ces instructions pour pouvoir s'y reporter par la suite.



**AVERTISSEMENT**

**RISQUE D'INCENDIE OU D'EXPLOSION**

Si vous sentez une odeur de gaz:

1. Ouvrez les fenêtres.
2. Éteignez toute flamme nue..
3. Ne pas toucher les interrupteurs électriques.
4. Éteignez toute flamme nue..
5. Coupez l'alimentation en combustible.
6. Évacuez immédiatement et appelez les services d'urgence

Ne pas suivre ces instructions peut provoquer un incendie ou une explosion, pouvant causer des dommages matériels, des blessures ou la mort.



**AVERTISSEMENT**

Une faute d'installation, de réglage, de modification, de réparation ou d'entretien peut causer des préjudices corporels ou matériels. Se reporter à ce manuel. Pour obtenir de l'assistance ou des informations supplémentaires, s'adresser à un installateur qualifié, au service après-vente ou à la compagnie de gaz.

### SÉCURITÉ PERSONNELLE

Ne pas conserver ni utiliser d'essence ou d'autres liquides inflammables, ou dont les vapeurs peuvent s'enflammer, à proximité de cet appareil ou de tout autre appareil électroménager.

**Français**

# Manuel d'utilisation

## Consignes relatives à la sécurité



- Ne pas retirer le contact de terre rond des cordons d'alimentation c.a.
- S'assurer régulièrement de l'absence totale de matériaux inflammables et d'obstruction aux conduits de fumée, brûleur, bouches de ventilation et passages d'air de ventilation du réfrigérateur. Après un certain temps d'entreposage, il est particulièrement important de vérifier ces endroits pour repérer tout matériau inflammable ou toute obstruction causée par des animaux.

## Le réfrigérateur

### Volume d'entreposage :

Ce réfrigérateur est conçu pour l'entreposage d'aliments frais et congelés, ainsi que la fabrication de glaçons.

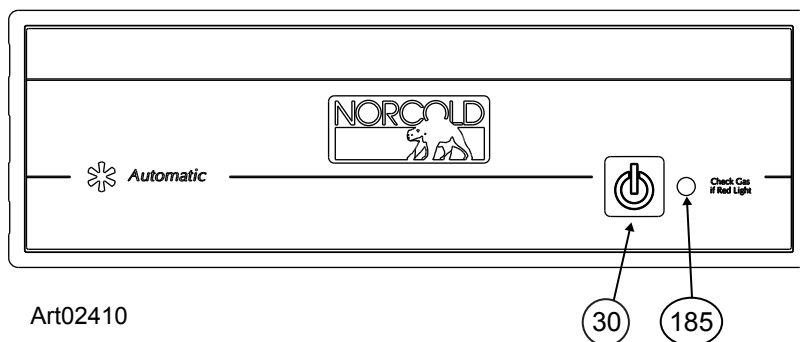
Capacité totale	Modèles N611v	Modèles N811v
	6,3 pi. cu.	7,5 pi. cu.

## Utilisation des commandes du réfrigérateur

### Lancement du fonctionnement automatique :

Appuyer sur le bouton ON / OFF (Marche/Arrêt) [30] et le relâcher pour mettre le réfrigérateur en marche (voir Art02410).

- Si le voyant [185] s'allume en vert sans clignoter, cela signifie que :
  - Le réfrigérateur a accès à une alimentation de 120 V c.a.
  - Le réfrigérateur fonctionne sur courant alternatif.
- Si le voyant [185] s'allume en jaune sans clignoter, cela signifie que :
  - Le réfrigérateur n'a pas accès à une alimentation de 120 V c.a.
  - Le réfrigérateur fonctionne au gaz propane.
- Si le voyant [185] s'allume en rouge sans clignoter, cela signifie que :
  - Il y a un problème de refroidissement.
  - Consulter la section « Codes d'anomalie » dans ce manuel.



Pour éteindre le réfrigérateur, appuyer sur le bouton ON / OFF et le relâcher.



## Commande de température du réfrigérateur

---

Les températures des compartiments congélateur et réfrigérateur sont automatiquement maintenues à une valeur fixée conforme aux directives établies pour l'entreposage des aliments en toute sécurité. Pour changer la valeur fixée, il faut déplacer la thermistance. Pour déplacer la thermistance :

- Tirer la thermistance et la détacher de l'ailette.
- Pousser la thermistance et l'attacher sur une ailette différente.
  - Déplacer la thermistance vers la gauche pour abaisser la température ou vers la droite pour la remonter.
  - Déplacer la thermistance et attacher seulement trois (3) ou quatre (4) ailettes à la fois.
  - Laisser la température des compartiments du réfrigérateur se stabiliser.



*Il peut être judicieux de placer un thermomètre à l'intérieur du compartiment réfrigérateur pour faciliter ce processus.*

- Si des réglages supplémentaires sont nécessaires, répéter la procédure ci-dessus.

## Effets de l'altitude élevée sur le fonctionnement au gaz propane

---

Lorsque le réfrigérateur fonctionne au gaz propane à des altitudes de plus de 5500 pieds au-dessus du niveau de la mer :

- Le réfrigérateur risque de ne pas donner d'aussi bons résultats.
- Le brûleur risque de s'éteindre spontanément.

Pour éviter ce type de problème, Norcold recommande de faire fonctionner le réfrigérateur sur courant alternatif lorsque l'on se trouve à des altitudes de plus de 5500 pieds au-dessus du niveau de la mer.

## Effets des températures de congélation sur le fonctionnement du réfrigérateur

---

Les réfrigérateurs à absorption de gaz ne sont pas conçus pour fonctionner à des températures de congélation. Si le réfrigérateur n'est pas équipé pour fonctionnement à basse température et que son système frigorifique est exposé à des températures inférieures ou égales à 32 °F pendant une période prolongée, son fonctionnement risque d'être perturbé. Son fonctionnement reprendra alors une fois son système frigorifique suffisamment réchauffé.

Si le réfrigérateur est équipé pour fonctionnement à basse température, il peut fonctionner à des températures allant jusqu'à 0 °F.

Les perturbations du fonctionnement du réfrigérateur dues à une exposition prolongée à des températures inférieures ou égales à 32 °F et les coûts subis pour réchauffer le système frigorifique du réfrigérateur ne sont pas couverts par la garantie limitée de Norcold. Prière de s'adresser au concessionnaire local de véhicules de loisirs pour obtenir les renseignements nécessaires sur la reprise du fonctionnement du réfrigérateur ou sur la façon d'équiper le réfrigérateur en vue de son fonctionnement à des températures de congélation. Ne pas modifier l'installation ni la ventilation du réfrigérateur. Les pannes de réfrigérateur dues à des modifications apportées à l'installation ou à la ventilation du réfrigérateur ne sont pas couvertes par la garantie limitée de Norcold.

## Liste de contrôle de l'état du réfrigérateur

---

Il suffit d'effectuer les simples vérifications suivantes tous les trois à six mois pour obtenir de longues années de bons et loyaux services de la part du réfrigérateur :

- S'assurer de l'absence d'obstruction ou de restriction de l'écoulement d'air dans la prise d'air inférieure, à travers les serpentins et le condenseur du réfrigérateur, et par la bouche d'échappement supérieure.
- S'assurer du dégagement de l'espace derrière le réfrigérateur. Ne pas utiliser l'espace derrière le réfrigérateur pour ranger quoi que ce soit, en particulier de l'essence ou d'autres matériaux à vapeurs ou liquides inflammables.

## Dégivrage

---

Les ailettes de refroidissement du réfrigérateur fonctionnent à des températures de gel et il est normal qu'au contact de l'humidité de l'air elles se couvrent de givre. L'humidité à l'intérieur du réfrigérateur augmente :

- proportionnellement à la température et à l'humidité extérieures.
- lorsque des aliments frais non recouverts ou des aliments encore chauds sont placés dedans.
- d'autant plus que la ou les portes sont laissées longtemps ouvertes.
- si le réfrigérateur présente des fuites d'air.

Bien qu'il ne s'agisse pas d'un modèle sans givre, ce réfrigérateur est conçu pour limiter l'accumulation de givre sur les ailettes de refroidissement. À intervalles réguliers, le système de commande de température dégivre automatiquement les ailettes de refroidissement. L'eau qui en résulte tombe dans une cuve fixée au dos du réfrigérateur. L'eau de la cuve s'évapore ensuite sous l'effet de la chaleur du système frigorifique.

Il est normal que du givre s'accumule à l'intérieur du congélateur. Un réfrigérateur trop givré risque de ne pas donner d'aussi bons résultats. Dégivrer le réfrigérateur et le congélateur aussi souvent que nécessaire :

- Sortir tous les aliments du réfrigérateur.
- Éteindre le réfrigérateur.

**AVIS**

*Le dégivrage rend beaucoup d'eau dans le réfrigérateur.*

- Retirer le tuyau de vidange de la cuvette d'égouttage, à l'arrière du réfrigérateur.
- Placer le tuyau de vidange dans un récipient d'au moins un demi-gallon pour récupérer l'eau.
- Placer des serviettes sèches (etc.) à l'intérieur du réfrigérateur et du congélateur pour absorber le givre fondu.



**Des températures élevées peuvent entraîner la distorsion ou la fonte des surfaces intérieures du réfrigérateur. Ne pas utiliser de récipients d'eau TRÈS CHAUDE, de sèche-cheveux ou d'autres dispositifs à haute température pour dégivrer le réfrigérateur. Ne pas employer d'objets durs ou tranchants pour enlever le givre. L'intérieur du réfrigérateur risquerait d'être endommagé.**

- Pour obtenir un dégivrage plus rapide, placer des récipients d'eau CHAUDE dans le réfrigérateur et dans le congélateur.
- Enlever les serviettes humides (etc.) et sécher l'intérieur.
- Retirer le tuyau de vidange du grand récipient et le replacer dans la cuvette d'égouttage.
- Retirer le grand récipient de l'enceinte.
- Remettre le réfrigérateur en route.
- Laisser le réfrigérateur se refroidir.
- Remettre tous les aliments dans le réfrigérateur.

## Liste de contrôle de l'entretien du réfrigérateur

---

Demander à un concessionnaire de véhicules de loisirs qualifié ou un centre de service après-vente agréé Norcold d'effectuer ces contrôles annuels de sécurité et d'entretien suivants :

- Chercher les fuites aux tuyaux d'arrivée de gaz.
- S'assurer que la pression du gaz propane est à 11 po de colonne d'eau.
- Vérifier que le joint de combustion est complet et intact.
- Vérifier que le brûleur et sa buse sont propres.
- S'assurer que l'écartement des électrodes est de 1/8 - 3/16 po.
- S'assurer que la tension c.a. est de 108 à 132 volts et la tension c.c. de 10,5 à 15,4 volts.
- Vérifier que l'embout du thermocouple est propre et sécurisé.
- S'assurer que l'espace derrière le réfrigérateur est libre de tous matériaux combustibles, essence et autres matériaux à vapeurs ou liquides inflammables.

## Entreposage du réfrigérateur

---

Avant de remettre en marche un réfrigérateur qui a été entreposé pendant un certain temps, s'assurer de l'absence d'obstructions aux bouches et passages d'air de ventilation, au brûleur, à la buse ou au niveau du conduit de fumée.

## Entretien du réfrigérateur

---

### Apparence de la flamme de gaz :

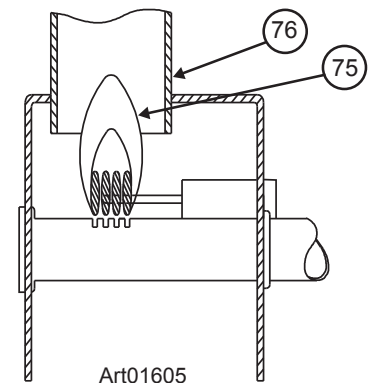
Lors du fonctionnement avec du GAZ, examiner l'apparence de la flamme de gaz :

- Placer l'interrupteur de température sur la position LA PLUS FROIDE.
- Ouvrir la bouche de prise d'air inférieure.



**Le couvercle du compartiment du brûleur peut être brûlant. Porter des gants pour éviter les brûlures.**

- Retirer le couvercle du compartiment du brûleur en ôtant la vis.
- Examiner la flamme du gaz [75] (voir Art01605).
  - La flamme doit être :
    - d'un bleu plus foncé à l'intérieur qu'à l'extérieur.
    - de forme constante et sans vacillation.
  - S'enquérir auprès du concessionnaire ou du centre de service après-vente agréé Norcold si la flamme :
    - est jaune
    - vacille ou change de forme.



- Veiller à ce que la flamme ne touche pas l'intérieur du tuyau de fumée [76].
- Si la flamme touche l'intérieur du conduit de fumée, contacter le concessionnaire ou le centre de service après-vente agréé Norcold.
- Fermer la porte du compartiment du brûleur.

### Retrait et nettoyage de la buse du brûleur :

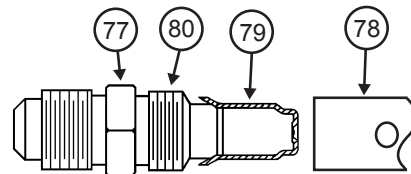
Cette opération doit être effectuée par un concessionnaire ou un centre de service après-vente agréé Norcold.

Retrait et nettoyage de la buse du brûleur (voir Art00956) :

- Fermer le robinet à la ou aux bouteilles de gaz propane.
- Appuyer sur le bouton ON / OFF et le relâcher pour éteindre le réfrigérateur.



**Le couvercle du compartiment du brûleur peut être brûlant. Porter des gants pour éviter les brûlures.**



Art 00956

- Ouvrir la bouche de prise d'air inférieure.
- Retirer la cuvette d'égouttage en enlevant la vis.
- Retirer le couvercle du compartiment du brûleur en ôtant la vis.



**Pour éviter les fuites de gaz propane, toujours se servir de deux clés pour serrer ou desserrer les raccords du tuyau d'arrivée de gaz.**

- Démontez le raccord conique de la buse [77] (voir Art00956).
- Enlever le brûleur [78] de la buse.



**Lors du nettoyage, ne pas essayer de démonter la buse [79] de son adaptateur [80]. La buse et son joint risqueraient d'être endommagés, ce qui pourrait causer une fuite de gaz propane. Le gaz propane qui s'échappe risque de s'enflammer ou d'exploser, d'où risque de blessures graves ou mortelles. Ne pas nettoyer la buse avec une épingle ou tout autre objet.**

- Nettoyer l'ensemble de la buse à l'aide de pression d'air et d'alcool uniquement.
- À l'aide d'une clé, monter l'ensemble de la buse sur le brûleur.
- Poser le raccord conique sur la buse.
- Chercher les fuites de gaz au niveau de tous les raccords.
- Nettoyer le compartiment du brûleur.
- Assembler le couvercle du compartiment du brûleur.
- Assembler la cuvette d'égouttage.

### Retrait du réfrigérateur

Cette opération doit être effectuée par un concessionnaire ou un centre de service après-vente agréé Norcold.



**L'arrière du réfrigérateur présente des arêtes vives et des angles coupants. Pour éviter de se couper ou de s'écorcher lors du travail sur le réfrigérateur, faire attention et porter des gants résistant aux coupures.**

1. Fermer le robinet à la ou aux bouteilles de gaz propane.



**Pour éviter les fuites de gaz propane, toujours se servir de deux clés pour serrer ou desserrer les raccords du tuyau d'arrivée de gaz.**

2. Débrancher le(s) cordon(s) d'alimentation c.a. de la prise.
3. Retirer les fils c.c. du réfrigérateur :
  - Marquer les fils c.c. pour être sûr de les remettre au bon endroit.
  - Débrancher le fusible c.c. ou les fils c.c. de la batterie ou du convertisseur.
  - Retirer les fils c.c. du réfrigérateur.
4. Ouvrir la prise d'air inférieure et enlever le tuyau d'arrivée de gaz du raccord du réfrigérateur.
5. Retirer les capuchons en plastique des brides de montage du réfrigérateur.
6. Retirer les vis de la bride de montage à l'arrière du réfrigérateur.
7. Retirer les vis des brides de montage supérieure et inférieure à l'avant du réfrigérateur.
8. Retirer le réfrigérateur de l'ouverture.

## Réinstallation du réfrigérateur

---

Cette opération doit être effectuée par un concessionnaire ou un centre de service après-vente agréé Norcold.



**S'assurer que le joint de combustion n'est pas rompu, qu'il entoure complètement les brides de montage du réfrigérateur et qu'il sépare ces brides de la paroi de l'enceinte. Si le joint de combustion est interrompu, des gaz d'échappement peuvent s'infiltrer dans l'habitacle du véhicule. L'inhalation de gaz d'échappement peut causer des vertiges, des nausées et, dans les cas extrêmes, la mort.**

1. Faire entrer complètement le réfrigérateur dans l'enceinte.
2. Installer les vis dans les brides de montage supérieure puis inférieure à l'avant du réfrigérateur.
3. Installer les vis dans la bride de montage à l'arrière du réfrigérateur.
4. Mettre les capuchons en plastique dans les brides de montage du réfrigérateur.



**Pour éviter les fuites de gaz propane, toujours se servir de deux clés pour serrer ou desserrer les raccords du tuyau d'arrivée de gaz.**

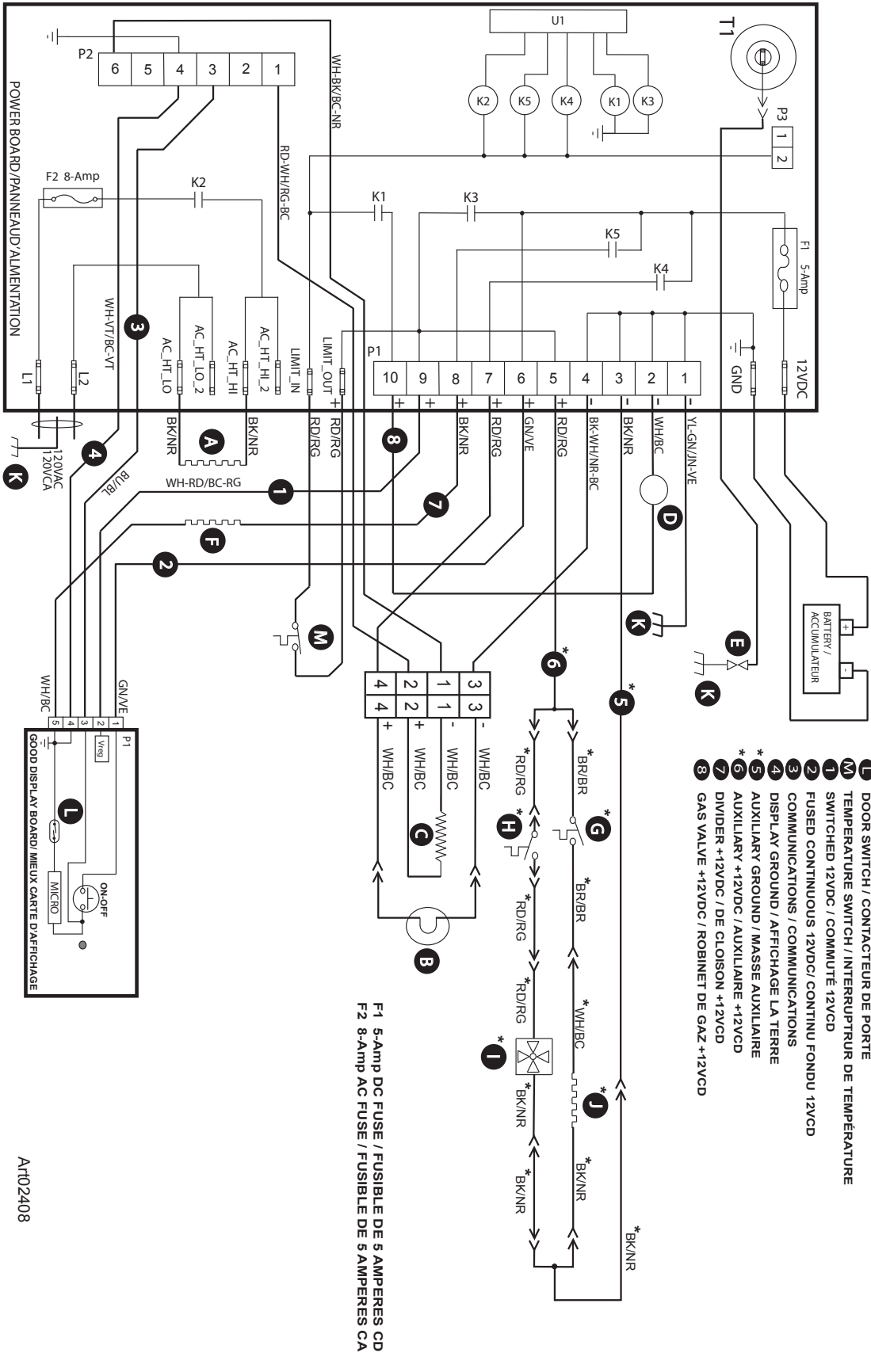
5. Brancher le tuyau d'arrivée de gaz au raccord du réfrigérateur.
6. Ouvrir le robinet à la ou aux bouteilles de gaz propane.



**Ne pas laisser la solution de contrôle des fuites entrer en contact avec les composants électriques. Nombre de liquides sont conducteurs et peuvent poser des risques de court-circuit, voire même d'incendie.**

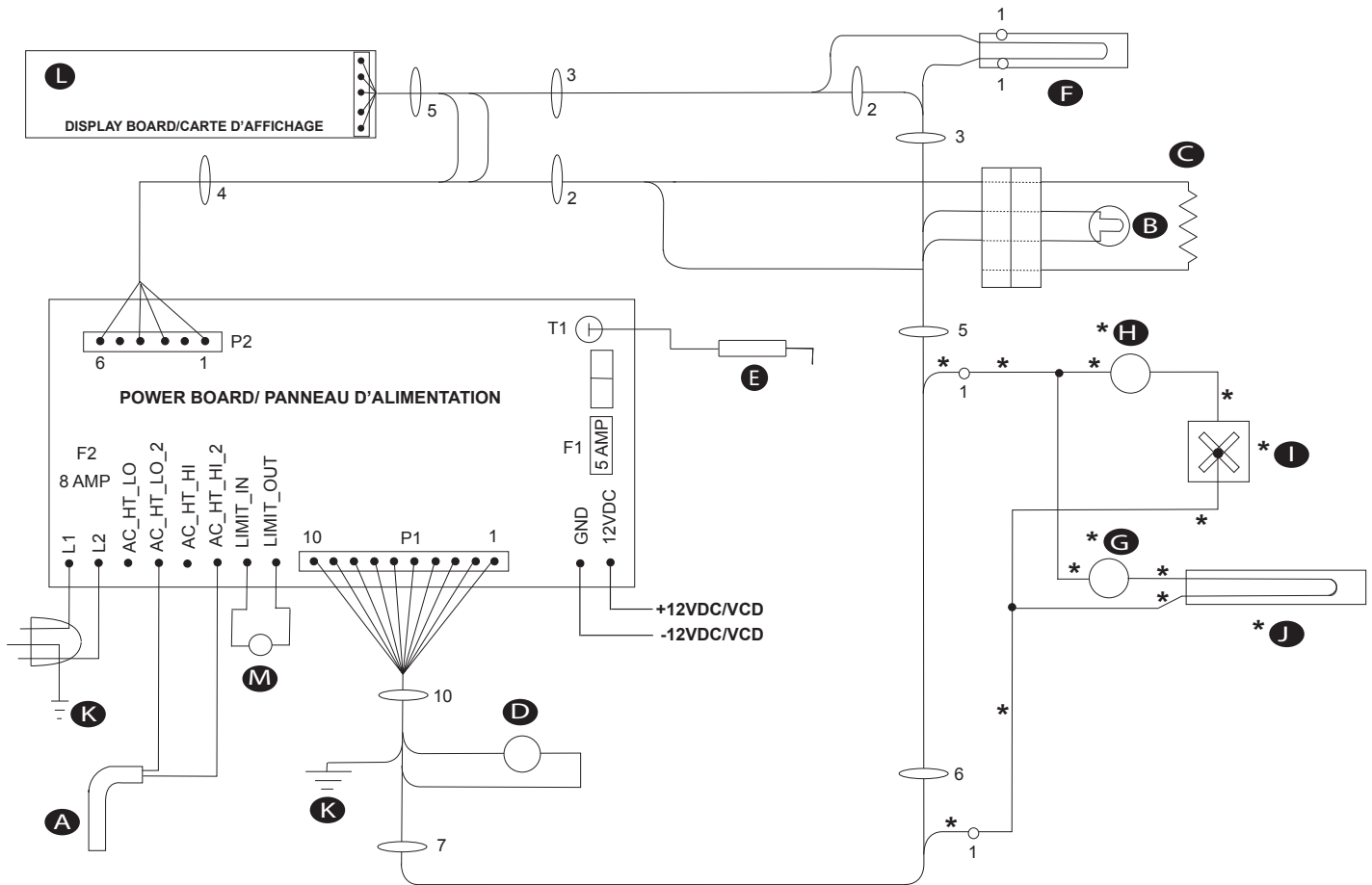
7. Chercher les fuites au tuyau d'arrivée de gaz.
8. Rebrancher les fils c.c. au réfrigérateur :
  - Brancher les fils c.c. au réfrigérateur.
  - Installer le fusible c.c. ou brancher les fils c.c. sur la batterie ou le convertisseur du véhicule.
9. Brancher le cordon d'alimentation c.a. noir à la prise.

# Graphique de câblage



AT102408

## Schéma de câblage

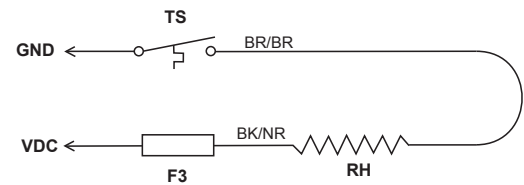
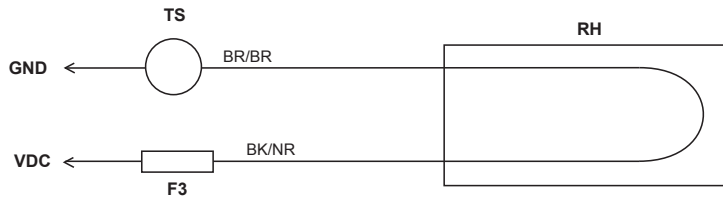


### \* OPTIONAL / EN OPTION

- (A)** AC HEATER / ÉLÉMENT CHAUFFANT CA
- (B)** LIGHT / LAMPE
- (C)** THERMISTOR / THERMISTANCE
- (D)** GAS VALVE / ROBINET DE GAZ
- (E)** IGNITER / ALLUMEUR
- (F)** DIVIDER HEATER / ELEMENT DE CLOISON
- \* **(G)** TEMPERATURE SWITCH / INTERRUPTUR DE TEMPÉRATURE
- \* **(H)** TEMPERATURE SWITCH / INTERRUPTUR DE TEMPÉRATURE
- \* **(I)** FAN / VENTILATEUR
- \* **(J)** IM WATER LINE HEATER / CHAUFFERETTE DU YUYAU D'EAU DE LA MACHINE À GLAÇONS
- (K)** CHASSIS GROUND / MASSE DU CHASSIS
- (L)** DOOR SWITCH / CONTACTEUR DE PORTE
- (M)** TEMPERATURE SWITCH / INTERRUPTUR DE TEMPÉRATURE

Art02409

## Graphique et schéma de câblage - Chauffage à basse température ambiante (en option)



Art02312-1



Ce kit alimente le chauffage en tension c.c. chaque fois que la température ambiante est suffisamment basse. Un entreposage prolongé par temps froid décharge les batteries du véhicule. Pour éviter la décharge des batteries, débrancher le fusible 3 A du chauffage à basse température ambiante.

## Pièces de rechange

Les pièces de rechange peuvent être obtenues auprès du concessionnaire de véhicules de loisirs local ou d'un centre de service après-vente agréé Norcold.





Le réfrigérateur ne fait pas son travail de réfrigération si le voyant s'allume en rouge, sans clignoter ou en clignotant.

Voyant et couleur	Signification	Actions correctives
Verte, clignote à intervalles de 20 secondes	Le réfrigérateur fonctionne sur courant alternatif. Comme une défaillance de la thermistance a été détectée, la température est contrôlée par un système de fonctionnement de secours.	Vérifier : <ul style="list-style-type: none"> <li>- Que la thermistance est branchée.</li> <li>- Consulter le concessionnaire ou un centre de service après-vente agréé Norcold.</li> </ul>
Jaune, clignote à intervalles de 20 secondes.	Le réfrigérateur fonctionne au gaz propane. Comme une défaillance de la thermistance a été détectée, la température est contrôlée par un système de fonctionnement de secours.	Vérifier : <ul style="list-style-type: none"> <li>- Que la thermistance est branchée.</li> <li>- Consulter le concessionnaire ou un centre de service après-vente agréé Norcold.</li> </ul>
Rouge, allumée sans clignoter.	Pas d'entrée c.a. disponible détectée. Le réfrigérateur est passé par défaut au fonctionnement au gaz propane mais une flamme n'a pas été obtenue (verrouillage de la sortie du gaz).	Vérifier : <ul style="list-style-type: none"> <li>- Que le réfrigérateur est branché sur une prise de courant en bon état.</li> <li>- Que le robinet de la ou des bouteilles de gaz propane est ouvert.</li> <li>- Que le gaz propane est à la bonne pression.</li> <li>- Que le robinet d'arrêt manuel du réfrigérateur est ouvert.</li> <li>- Qu'il n'y a pas d'air dans le tuyau d'arrivée de gaz propane.</li> <li>- Consulter le concessionnaire ou un centre de service après-vente agréé Norcold.</li> </ul>
Rouge, clignote deux (2) fois toutes les cinq (5) secondes.	Il s'agit d'une anomalie à l'intérieur même des commandes du réfrigérateur.	COUPER l'alimentation du réfrigérateur puis la RÉTABLIR pour le réinitialiser. Si le code d'anomalie persiste, consulter le concessionnaire ou un centre de service après-vente agréé Norcold.
Rouge, clignote trois (3) fois toutes les cinq (5) secondes.	Un interrupteur de limite de température est ouvert.	Le propriétaire ne peut pas remédier à ce problème. Consulter le concessionnaire ou un centre de service après-vente agréé Norcold.
Rouge, clignote quatre (4) fois toutes les cinq (5) secondes.	Il s'agit d'un problème lié au relais de la chaufferette c.a.	Le propriétaire ne peut pas remédier à ce problème. Consulter le concessionnaire ou un centre de service après-vente agréé Norcold.
Rouge, clignote cinq (5) fois toutes les cinq (5) secondes.	Une flamme est présente au niveau du brûleur alors qu'il ne devrait pas y en avoir.	Le propriétaire ne peut pas remédier à ce problème. Consulter le concessionnaire ou un centre de service après-vente agréé Norcold.
Rouge, clignote huit (8) fois toutes les cinq (5) secondes.	La tension c.c. vers le réfrigérateur est trop faible.	Vérifier : <ul style="list-style-type: none"> <li>- Que l'équipement de charge de la batterie du véhicule fonctionne bien.</li> <li>- Que le convertisseur c.a./c.c. fonctionne (au besoin).</li> <li>- Consulter le concessionnaire ou un centre de service après-vente agréé Norcold.</li> </ul>
Rouge, clignote neuf (9) fois toutes les cinq (5) secondes.	La tension c.c. vers le réfrigérateur est trop faible pour que la réfrigération puisse se faire durant le fonctionnement au gaz propane.	Vérifier : <ul style="list-style-type: none"> <li>- Que l'équipement de charge de la batterie du véhicule fonctionne bien.</li> <li>- Que le convertisseur c.a./c.c. fonctionne (au besoin).</li> <li>- Consulter le concessionnaire ou un centre de service après-vente agréé Norcold.</li> </ul>

# Manuel d'installation

## Consignes relatives à la sécurité

---



- Ce réfrigérateur n'est pas destiné à servir de réfrigérateur amovible. Il est conçu pour fonctionner au gaz propane seulement et ne peut pas être modifié pour utiliser d'autres carburants (gaz naturel, butane, etc.).
- Une faute d'installation, de réglage, de modification ou d'entretien de ce réfrigérateur peut causer des préjudices corporels et (ou) matériels.
- Observer les consignes de ce manuel pour installer des bouches de ventilation (prise d'air et échappement).
- Ne pas installer le réfrigérateur à même une moquette ou un tapis. Le placer sur un panneau de métal ou de bois s'étendant au moins sur toute sa largeur et toute sa profondeur.

## Certification et codes à respecter

---

L'installation du réfrigérateur doit respecter les éléments suivants, lorsqu'ils sont applicables :

### Aux États-Unis et au Canada :

- Les codes locaux, ou, à défaut, le code National Fuel Gas Code, les normes ANSI Z223.1/NFPA 54, le code Natural Gas and Propane installation Code, la norme ACNOR B149.1, le code ANSI A119.2 Recreational Vehicles Code et les normes ACNOR Z240 RV Series, Recreational Vehicles.
- L'installation des maisons préfabriquées (caravanes résidentielles) doit se conformer à la norme Manufactured Home Construction and Safety Standard, titre 24 CFR, partie 3280 [anciennement dénommée Federal Standard for Mobile Home Construction and Safety, titre 24 (partie 280)], et à la norme à jour ACNOR Z240.4, Gas-equipped Recreational Vehicles and Mobile Housing.
- Si une source d'alimentation externe est employée, l'appareil électroménager doit, à son installation, faire l'objet d'une mise à la terre électrique conforme aux codes locaux ou, à défaut de tels codes, conforme au code National Electrical code et aux normes ANSI/NFPA 70, ou au Code canadien d'électricité, ACNOR C22.2. Parties 1 et 2.

Tous les tuyaux et raccords d'arrivée de gaz propane doivent respecter les codes locaux, provinciaux et fédéraux s'appliquant à leurs types et dimensions. Ces éléments doivent également être conformes à la norme à jour NFPA 1192 section 2-4, et, au Canada, à la norme à jour CAN 1-6.10.

## Consignes relatives à la ventilation

---



### Conditions à satisfaire par l'installation :

- Il doit y avoir un apport d'air frais suffisant pour la combustion.
- L'espace de séjour doit être complètement isolé du système de combustion du réfrigérateur.
- Le conduit de fumée d'échappement doit bénéficier d'une ventilation totale et sans restriction car, en mode de fonctionnement au gaz, du monoxyde de carbone peut en sortir. L'inhalation de fumées contenant du monoxyde de carbone peut causer des vertiges, des nausées ou, dans les cas extrêmes, la mort.

Le bas de l'ouverture de la prise d'air inférieure, qui est aussi la porte d'accès de service, doit être de niveau avec le sol, ou juste en dessous. Ainsi, s'il y a fuite du gaz propane, il s'échappe à l'extérieur au lieu de s'accumuler au niveau du sol.

En vertu de l'homologation de la section International de l'ACNOR, il peut y avoir un dégagement nul sur les côtés, l'arrière, le haut et le bas du réfrigérateur. Alors qu'aucun dégagement maximum n'est spécifié par l'homologation, le réfrigérateur ne peut fonctionner correctement que si les dégagements maximum suivants sont respectés :

En bas	0 po min.	0 po max.
De chaque côté	0 po min	1/2 po max.
En haut	0 po min.	1/4 po max.
À l'arrière	0 po min.	1 po max.

Ces dégagements ainsi que la prise d'air inférieure et la bouche d'échappement supérieure entraînent l'écoulement d'air naturel requis pour une bonne réfrigération. De l'air plus froid entre par la prise d'air inférieure, monte en traversant les serpentins du réfrigérateur où il élimine l'excédent de chaleur des composants du réfrigérateur et il sort par la bouche d'échappement supérieure. Si ce flux d'air est obstrué ou restreint, le réfrigérateur ne fera pas son travail comme il faut.

## Dimensions Importantes du Réfrigérateur

Ces dimensions importantes du réfrigérateur sont données à titre de référence en cas de besoin (voir Art01733).

Largeur de la caisse du réfrigérateur sans garniture:  
23,47 po maxi..... 1

Largeur totale du réfrigérateur avec garniture:  
24,6 po ..... 2

Distance entre la caisse du réfrigérateur et la garniture latérale:  
0,80 po ..... 3

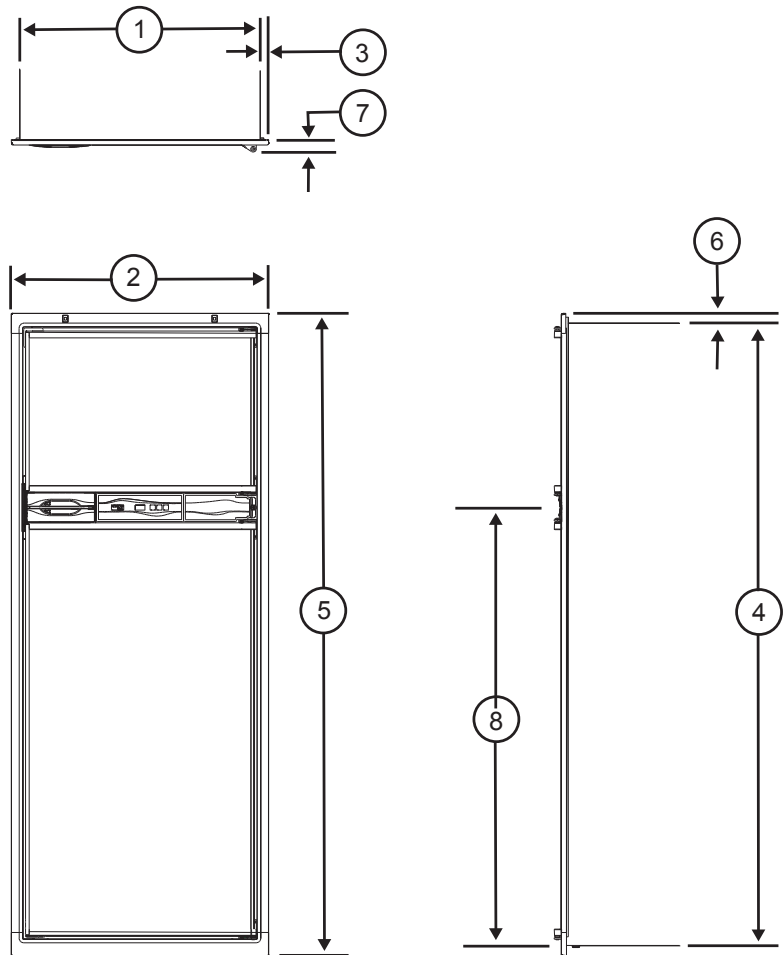
Hauteur de la caisse du réfrigérateur sans garniture:  
N600 modèles - 52,85 po maxi. .... 4  
N800 modèles - 59,85 po maxi. .... 4

Hauteur totale du réfrigérateur avec garniture:  
N600 modèles - 54,5 po ..... 5  
N800 modèles - 61,5 po ..... 5

Distance entre la caisse du réfrigérateur et la garniture supérieure/inférieure:  
0,93 po ..... 6

Distance entre la paroi de l'enceinte et les charnières:  
1,10 po ..... 7

Distance entre la caisse du réfrigérateur et le centre des poignées:  
N600 modèles - 32,5 po ..... 8  
N800 modèles - 39,5 po ..... 8



Art01733

## Préparation du Logement du Réfrigérateur

1. S'assurer que la hauteur du logement est de 59,88 - 60,01 pouces pour les modèles N81X, 52,88 - 53,01 pouces pour les modèles N61X, la largeur de 23,50 - 23,63 pouces et la profondeur de 24 pouces.
2. S'assurer que le plancher est de niveau et suffisamment résistant.
  - Le plancher doit être métallique ou en bois et de largeur et de profondeur égales à celles du logement.
  - Le plancher doit pouvoir supporter le poids du réfrigérateur et de son contenu.
3. S'assurer qu'il n'existe aucune source de chaleur, telle une évacuation de chaudière, etc., et que le réfrigérateur n'est pas exposé directement aux rayons du soleil.
4. S'il y a plus de 1/2 po entre un côté du réfrigérateur et l'intérieur de l'enceinte :
  - Remplir l'espace d'isolant (en natte) en fibre de verre ou ajouter un déflecteur pour éliminer le dégagement.
  - L'arrière de l'isolant en natte doit être entre 18 et 19 po de la face de l'enceinte.
  - Bien fixer l'isolant en natte à l'enceinte de façon à ce qu'il reste dans cette position durant l'installation du réfrigérateur, s'il devient mouillé et s'il y a du vent.

## Installation des bouches de ventilation supérieure et inférieure

1. En se servant du tableau suivant, décider des tailles de bouches de ventilation et de découpes (D) à utiliser :

Bouche de ventilation homologuée	Réf.	Hauteur D	Largeur D
Came d'échappement supérieure de toit	622293	S/O	S/O
Bouche d'échappement supérieure de toit	616319	24 po	5 1/4 po
Prise d'air inférieure métallique	616010	13 5/8 po	21 5/8 po
Bouche d'échappement supérieure et prise d'air inférieure en plastique-grand	621156	13 3/4 po	21 1/2 po
Bouche d'échappement supérieure et prise d'air inférieure en plastique-petit	620505, 636264	6 3/16 po	17 13/16 po

2. Poser la prise d'air inférieure (voir Art01598, Art01599 et Art01602) :

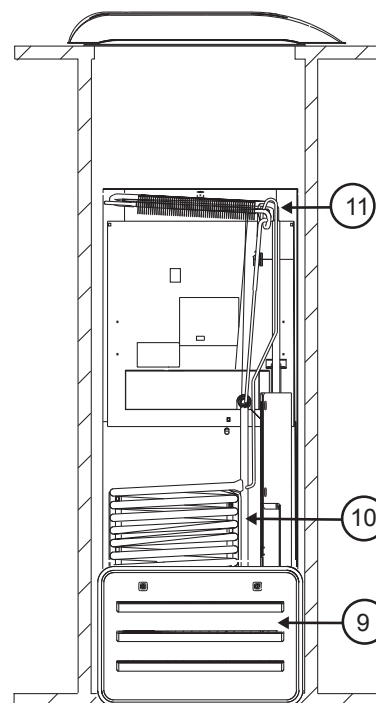


La prise d'air inférieure sert également d'ouverture d'accès aux composants à l'arrière du réfrigérateur.

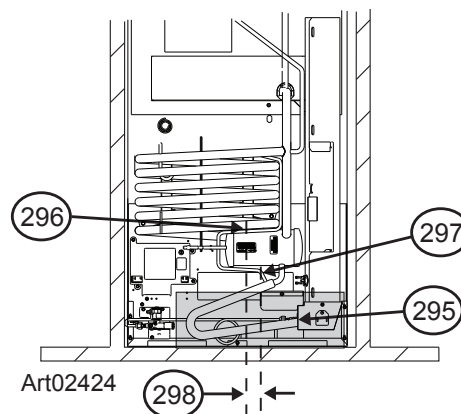


**Veiller à ce que le bas de l'ouverture de la prise d'air inférieure soit de niveau avec le sol, ou juste en dessous. Ainsi, s'il y a fuite du gaz propane, il s'échappe à l'extérieur au lieu de s'accumuler au niveau du sol.**

- Veiller à ce que le bas de l'ouverture de la prise d'air inférieure [9] soit de niveau avec le sol, ou juste en dessous.
- Aligner la prise d'air inférieure verticalement sous les serpentins [10] et le condenseur [11] du réfrigérateur.
- Lors de l'utilisation de la prise 616010 ou 621156, aligner la prise d'air inférieure verticalement sous les serpentins [10] et le condenseur [11] du réfrigérateur.
- Lors de l'utilisation de la prise 620505 ou 636264, soit :
  - Veiller à ce que l'axe médian [297] de la découpe [295] de la prise soit de  $1\ 1/2\ \text{po} \pm 1/8\ \text{po}$  à droite de l'axe médian du réfrigérateur. [296] de l'enceinte (Voir Art 02424).



Art01602



Art02424

3. Installer la bouche d'échappement supérieure :

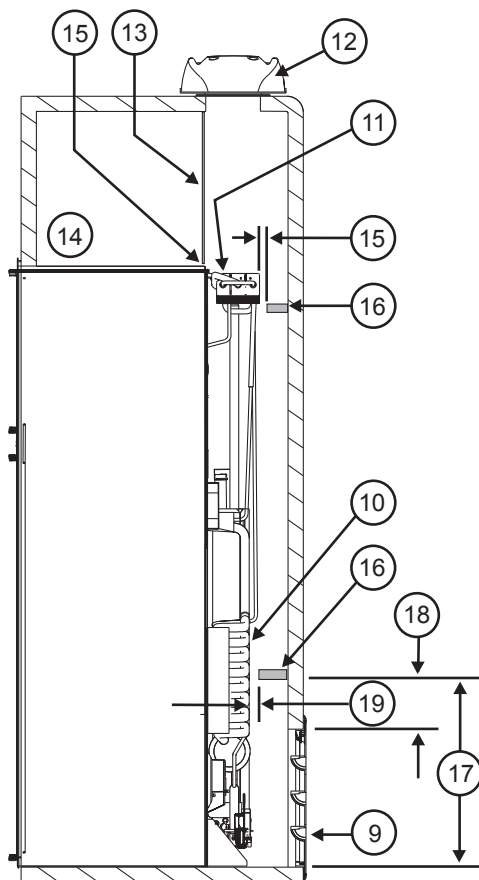


S'assurer de l'absence de sciure, de matériau d'isolation ou d'autres débris de construction sur le réfrigérateur ou dans l'enceinte. Les débris peuvent poser un danger de combustion et empêcher le fonctionnement correct du réfrigérateur.

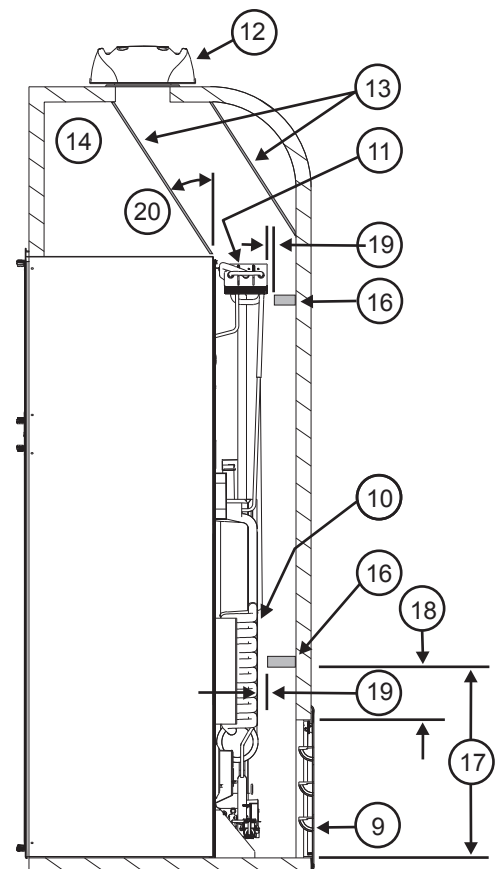


Serrer les vis de la came d'échappement supérieur du toit à 10 lb-po max. S'assurer également que l'écoulement d'air autour de la came d'échappement supérieure du toit n'est pas partiellement ou totalement restreint par d'autres articles montés sur le toit tels que porte-bagages, climatiseur, panneau solaire, etc.

- Si la conception du véhicule le permet, installer la bouche d'échappement de toit [12] juste au-dessus du condenseur [11] du réfrigérateur (voir Art01598).
  - Installer un déflecteur [13] pour éviter tout air chaud stagnant dans l'espace [14] situé au-dessus du réfrigérateur.
    - Veiller à ce qu'il y ait un dégagement de moins de 1/4 po [15] entre le déflecteur et le haut du réfrigérateur.
    - Veiller à ce que le déflecteur fasse toute la largeur de l'intérieur de l'enceinte.
- Si la conception du véhicule empêche l'installation de la bouche d'échappement de toit juste au-dessus du condenseur du réfrigérateur (voir Art01599).
  - Aligner la bouche d'échappement du toit [12] au-dessus du condenseur [11] du réfrigérateur et la déplacer vers l'intérieur selon le besoin.

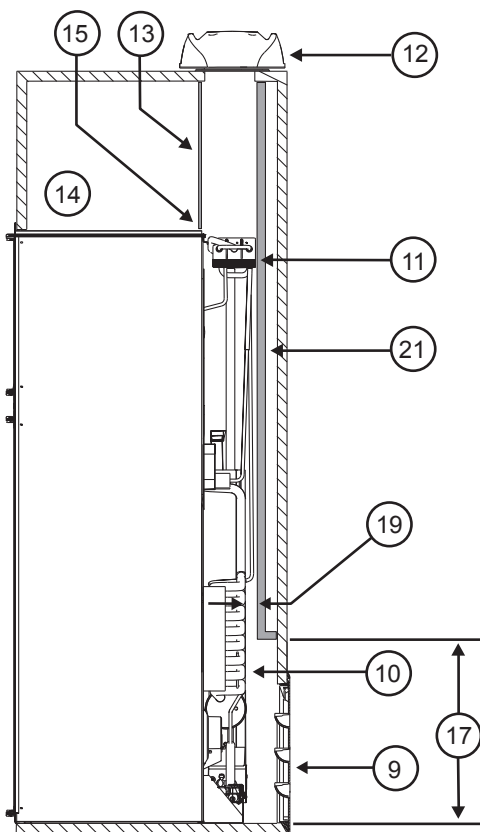


Art01598

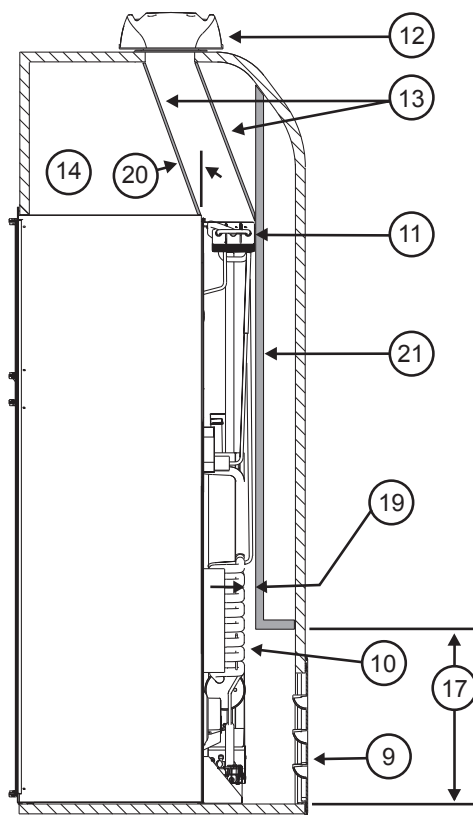


Art01599

- Installer deux déflecteurs [13] pour éviter tout air chaud stagnant dans l'espace [14] situé au-dessus du réfrigérateur.
  - Veiller à ce que les déflecteurs fassent toute la largeur de l'intérieur de l'enceinte.
  - S'assurer que les déflecteurs ne sont pas à plus de 45° de la verticale [20].
  - Mettre un déflecteur entre le bord supérieur arrière du réfrigérateur et le bord intérieur de l'ouverture de la bouche d'échappement supérieure.
  - Placer l'autre déflecteur entre le bord extérieur de l'ouverture de la bouche d'échappement supérieure et la paroi latérale du véhicule.
- Si la profondeur de l'enceinte est de 24 po ou davantage mais moins de 25 po, aucun déflecteur n'est nécessaire à l'arrière de l'enceinte.
- Si la profondeur de l'enceinte est de 25 po ou davantage mais moins de 26 po, ajouter deux déflecteurs [16] à l'arrière de l'enceinte (voir Art01598 et Art01599).
  - Placer un déflecteur entre 18 po et 18 1/2 po au-dessus du bas de l'enceinte [17].
  - Placer l'autre déflecteur au bord le plus bas du condenseur [11] du réfrigérateur.
    - Veiller à ce que les déflecteurs soient à 1 po ou moins [19] des serpentins [10] et du condenseur du réfrigérateur.
    - Veiller à ce que les déflecteurs fassent toute la largeur de l'intérieur de l'enceinte.
- Si la profondeur de l'enceinte est de plus de 26 po, installer un déflecteur en forme de boîte pleine, en bois, en aluminium ou en tôle galvanisée [21] à l'arrière de l'enceinte (voir Art01617-1 et Art0161-1).
  - S'assurer que le bas du déflecteur en forme de boîte pleine se trouve entre 18 po et 18 1/2 po au-dessus du bas de l'enceinte [17].



Art01617-1



Art01618-1

- Veiller à ce que l'arrière du déflecteur en forme de boîte pleine soit perpendiculaire au bas de l'enceinte.
- Veiller à ce que l'arrière du déflecteur en forme de boîte pleine soit contre le haut de l'enceinte ou contre le déflecteur incliné [13] (selon la conception du véhicule).
  - Veiller à ce que le déflecteur en forme de boîte pleine soit à 1 po ou moins [19] des serpentins [10] et du condenseur du réfrigérateur.
  - Veiller à ce que le déflecteur en forme de boîte pleine fasse toute la largeur de l'intérieur de l'enceinte.
- Si la conception du véhicule empêche l'installation d'une bouche d'échappement de toit, installer une bouche d'échappement supérieure de paroi latérale.

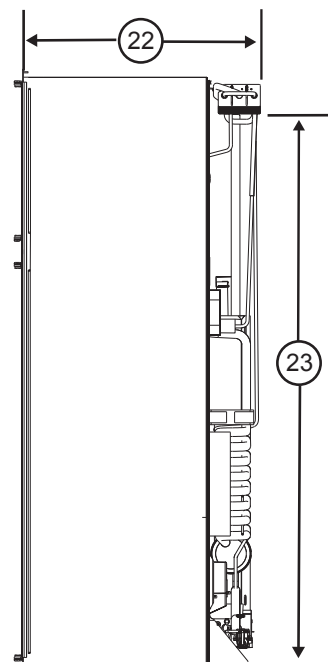
**AVIS**

Le réfrigérateur mesure entre 23,7 po min. et 24,0 po max. de l'arrière du disjoncteur jusqu'à l'arrière du condenseur [22]. Les modèles N611v mesurent entre 47,1 po min. et 47,4 po max. du bas du réfrigérateur jusqu'au bas de son condenseur [23]. Les modèles N811v mesurent entre 54,1 po min. et 54,4 po max. du bas du réfrigérateur jusqu'au bas de son condenseur [23] (voir Art01601).

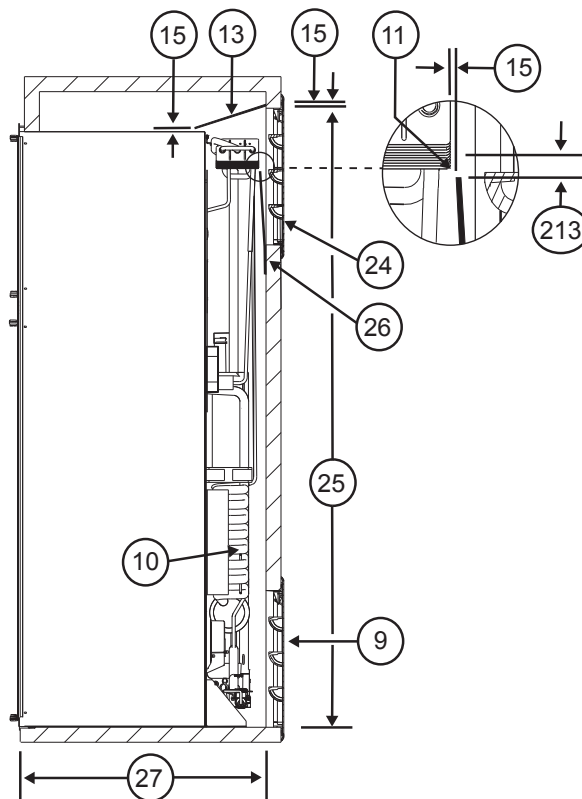
**ATTENTION**

Utiliser seulement une bouche d'échappement supérieure de paroi latérale sur les modèles de réfrigérateurs équipés d'un ventilateur. Si l'on utilise une bouche d'échappement supérieure de paroi latérale sur un modèle de réfrigérateur qui n'est pas doté d'un ventilateur, les performances de réfrigération seront médiocres.

- S'assurer que le modèle du réfrigérateur est équipé d'un ventilateur.
- Poser la bouche d'échappement supérieure de paroi latérale [24] (voir Art01592 et Art01593).
  - Pour les modèles N611v, s'assurer que la distance [25] entre le bas de l'enceinte et le haut de la découpe de la bouche d'échappement supérieure est d'au moins 55 po.
  - Pour les modèles N811v, s'assurer que la distance [25] entre le bas de l'enceinte et le haut de la découpe de la bouche d'échappement supérieure est d'au moins 62 po.
- Aligner la bouche d'échappement supérieure [24] à l'horizontale au-dessus de la prise d'air inférieure [9] du réfrigérateur.
- Afin d'éviter tout air chaud stagnant dans l'espace au-dessus du réfrigérateur, installer un déflecteur en forme de boîte pleine en bois, en aluminium ou en tôle d'acier galvanisé [13] entre le haut du réfrigérateur et le haut de la bouche d'échappement supérieure.
  - Veiller à ce qu'il y ait un dégagement de moins de 1/4 po entre le déflecteur et le haut du réfrigérateur et que le déflecteur chevauche le réfrigérateur de 1 po ou moins.
  - S'assurer que le déflecteur se trouve contre la paroi du véhicule en haut de la bouche d'échappement supérieure et à 1/4 po ou moins du haut de l'ouverture de cette bouche [15].
  - Veiller à ce que le déflecteur fasse toute la largeur de l'intérieur de l'enceinte.
- Lors de l'utilisation d'une bouche d'échappement de paroi latérale supérieure 621156 :
  - Si la profondeur de l'enceinte est de 24 po ou davantage mais moins de 26 po [27], installer un déflecteur cintré en aluminium ou en tôle d'acier galvanisé [26] à l'arrière de l'enceinte (voir Art01592-1).



Art01601



Art01592-1

- Veiller à ce que la courbure du déflecteur fasse toute la largeur de l'intérieur de l'enceinte.
- S'assurer que la courbure du déflecteur affleure le bord inférieur du cadre de la porte de la bouche de prise d'air supérieure.
- S'assurer que le bord supérieur du déflecteur se trouve 1/4 po [213] au-dessous du bas du condenseur et qu'il y a un dégagement de 1/4 po au plus [15] entre l'arrière du condenseur et le déflecteur.

- Si la profondeur de l'enceinte est de plus de 26 po [27], installer un déflecteur en forme de boîte pleine en bois, en aluminium ou en tôle d'acier galvanisé [21] entre la prise d'air inférieure et la bouche d'échappement supérieure (voir Art01593-1).

- Veiller à ce que le déflecteur en forme de boîte pleine fasse toute la largeur de l'intérieur de l'enceinte.

- S'assurer que le bas du déflecteur en forme de boîte pleine se trouve entre 18 po et 18 1/2 po au-dessus du bas de l'enceinte [17].

- Veiller à ce que l'arrière du déflecteur en forme de boîte pleine soit perpendiculaire au bas de l'enceinte.

- S'assurer que la partie supérieure horizontale du déflecteur en forme de boîte pleine affleure le bord inférieur de la bouche d'échappement supérieure [24].

- Assurez-vous que le bord supérieur horizontal de la perplexité est de 1/2 pouce [213] ou moins en dessous et 1/4 pouce ou moins derrière le coin inférieur arrière du condenseur.

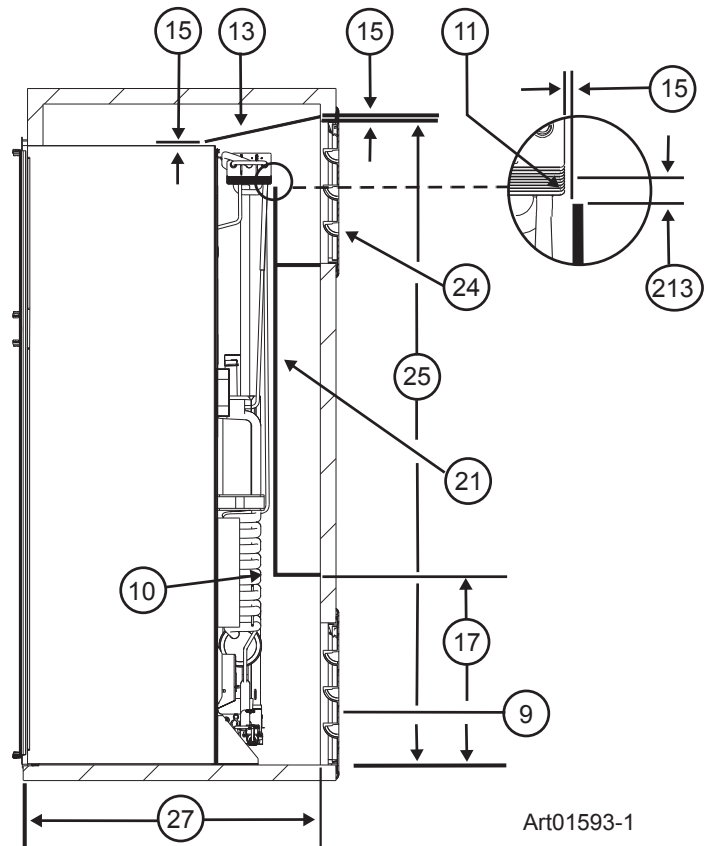
- Veiller à ce qu'il y ait un dégagement de moins de 1/4 po [15] entre l'arrière du condenseur et le déflecteur.

- Lors de l'utilisation d'une bouche d'échappement de paroi latérale supérieure 620505 ou 636264 :

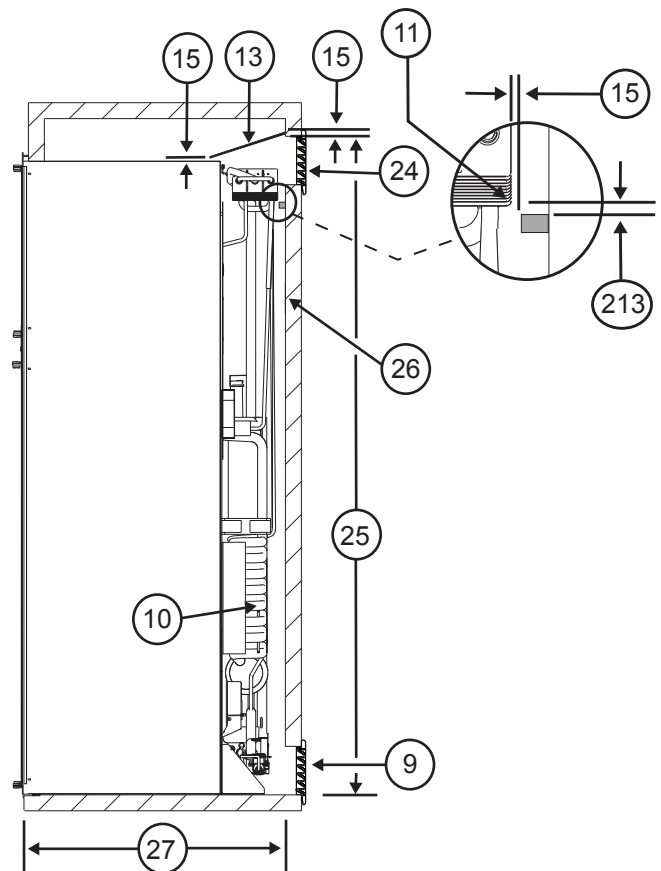
- Si la profondeur de l'enceinte est de 24 po ou plus et moins de 25 po [27], ne pas installer de déflecteur.

- Si la profondeur de l'enceinte est de 25 po ou plus et moins de 26 po [27], installer un déflecteur [16] à l'arrière de l'enceinte (Voir Art02425).

- Veiller à ce que le déflecteur fasse toute la largeur de l'intérieur de l'enceinte.



Art01593-1



Art02425



- S'assurer que le bord supérieur du déflecteur se trouve entre 1/4 po et 1 1/2 po [213] au-dessous du condenseur et qu'il y a un dégagement de 1/4 po au plus [15] entre l'arrière du condenseur et le déflecteur.

- Le refroidissement est optimal lorsque le déflecteur se trouve à 1/4 in au-dessous du bas du condenseur.

- Si la profondeur de l'enceinte est de plus de 26 po [27], installer un déflecteur en forme de boîte pleine en bois, en aluminium ou en tôle d'acier galvanisé [21] entre la prise d'air inférieure et la bouche d'échappement supérieure (voir Art02526).

- Veiller à ce que le déflecteur en forme de boîte pleine fasse toute la largeur de l'intérieur de l'enceinte.

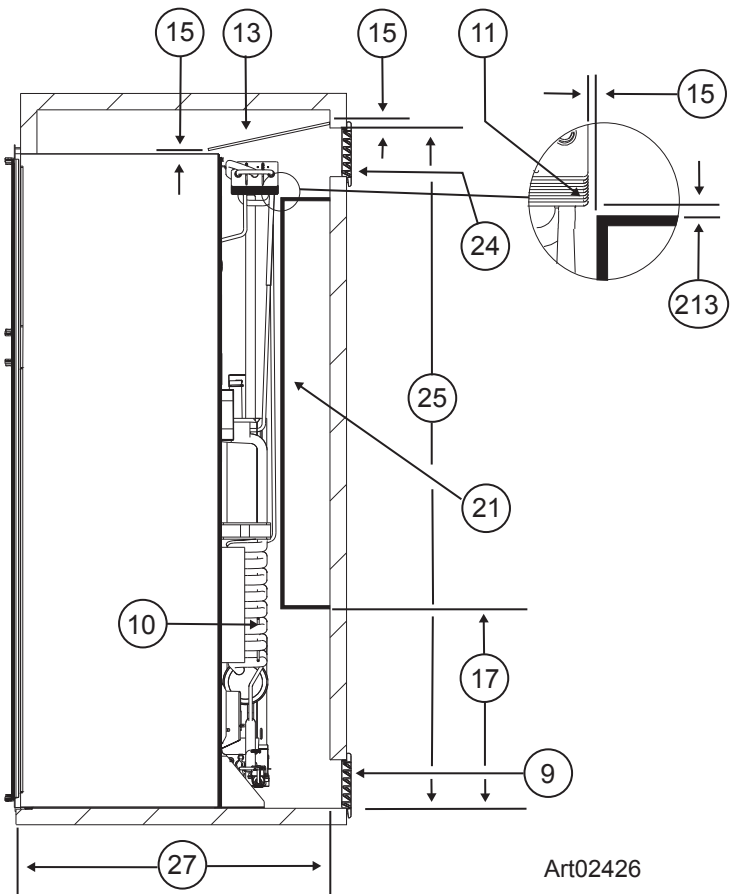
- S'assurer que le bas du déflecteur en forme de boîte pleine se trouve entre 18 po et 18 1/2 po au-dessus du bas de l'enceinte [17].

- Veiller à ce que l'arrière du déflecteur en forme de boîte pleine soit perpendiculaire au bas de l'enceinte.

- Veiller à ce que la partie supérieure horizontale du déflecteur en forme de boîte pleine affleure le bord inférieur du condenseur [11].

- S'assurer que le bord supérieur vertical du déflecteur se trouve entre 1/4 po et 1 1/2 po [213] au-dessous du condenseur.

- Veiller à ce qu'il y ait un dégagement de moins de 1/4 po [15] entre l'arrière du condenseur et le déflecteur.



Art02426

## Installation de mur arrière

Pour les installations murales arrière s'il vous plaît se référer à des instructions spéciales 620918 pour les instructions supplémentaires requises.

## Installation des panneaux décoratifs de porte



Les portes sont conçues pour accepter des panneaux décoratifs. Les panneaux décoratifs doivent être d'une épaisseur maximum de 3/16 po. Installer les panneaux décoratifs de porte sur les portes du réfrigérateur, avant d'installer le réfrigérateur dans le véhicule.

- Faire un panneau de porte supérieur de 21 19/32 po de largeur et 14 17/32 po de hauteur.

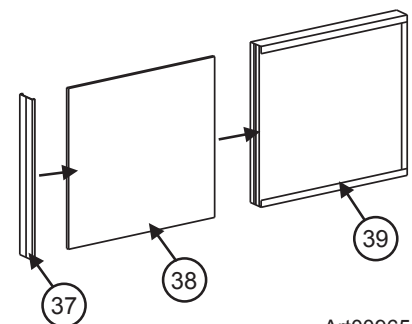
- Faire un panneau de porte inférieur de :

- 21 19/32 po de largeur et
- 31 5/8 po de hauteur (modèles N611v) ou
- 38 5/8 po de hauteur (modèles N811v).

- Tirer le dispositif de retenue de panneau [37] de chaque porte (voir Art00965).

- Pousser le panneau décoratif de porte [38] dans les fentes de la porte [39].

- Enfoncer chaque dispositif de retenue de panneau dans la fente située en bordure de la porte.



Art00965

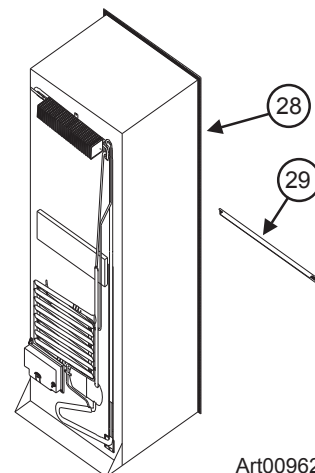
## Installation du réfrigérateur

Placer le réfrigérateur en position (voir Art00963, Art00963 et Art00964) :



**S'assurer que le joint de combustion [28] n'est pas rompu, qu'il entoure complètement les brides de montage du réfrigérateur et qu'il sépare ces brides de la paroi de l'enceinte. Si le joint est interrompu, des gaz d'évacuation peuvent s'infiltrer dans l'habitacle du véhicule. L'inhalation de gaz d'évacuation peut causer des vertiges, des nausées ou, dans les cas extrêmes, la mort.**

- Faire entrer complètement le réfrigérateur dans l'enceinte.
- Positionner la garniture supérieure [40] sur l'avant du réfrigérateur.
- Insérer les vis [41] à travers les brides de montage supérieure et inférieure à l'avant du réfrigérateur et dans la paroi et le plancher de l'enceinte.
- Obturer d'un bouchon [42] chaque trou de vis de la garniture supérieure [4] à l'avant du réfrigérateur.

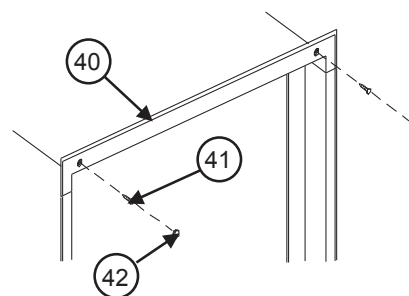


Art00962



**Ne pas oublier la garniture inférieure. Elle fait partie du joint de combustion.**

- Pousser la garniture inférieure [29] pour l'introduire sur l'avant du réfrigérateur.
- Insérer les deux vis [41] à travers la garniture, la bride de montage et dans le plancher.
- Insérer des vis à travers la bride de montage à l'arrière du réfrigérateur et dans le plancher.



Art00963

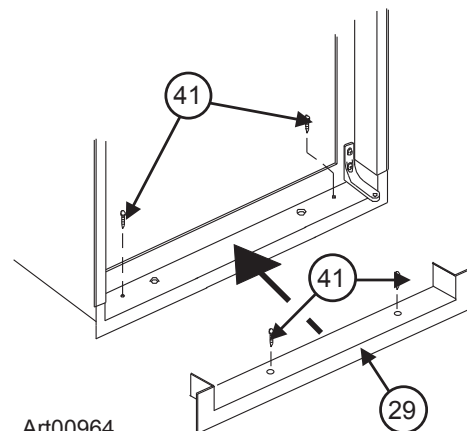
## Connexion des composants électriques

**Branchement à l'alimentation 120 V c.a. :**



**Brancher le(s) cordon(s) d'alimentation c.a. uniquement dans une prise à trois lames avec masse. Ne pas retirer le contact de terre rond des cordons d'alimentation c.a. Ne pas utiliser un adaptateur à deux lames ou une rallonge avec les cordons d'alimentation c.a. L'utilisation du réfrigérateur sans masse appropriée peut causer des chocs électriques dangereux ou la mort en cas de contact avec les parties métalliques du réfrigérateur.**

- S'assurer que la prise se trouve à portée facile de la prise d'air inférieure.
- Veiller à ce que le ou les cordons d'alimentation n'entrent pas en contact avec le couvercle du brûleur, le conduit de fumée ou tout composant brûlant qui risquerait d'endommager le matériau d'isolation des cordons.



Art00964

**Branchement à l'alimentation 12 V c.c. :**

1. Déterminer le calibre minimum de fil et la taille maximum de fusible à utiliser :



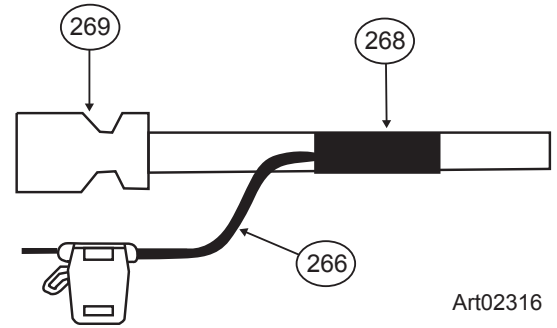
**Si des fils et (ou) fusibles de taille incorrecte sont employés, l'installation électrique risque de prendre feu.**

- Utiliser au moins un fil de calibre 18 AWG et un fusible de capacité maximum 6 A.
- Si le fil est de calibre supérieur à la taille minimum, utiliser un fusible conforme à la norme RVIA A119.2 ou aux codes locaux.

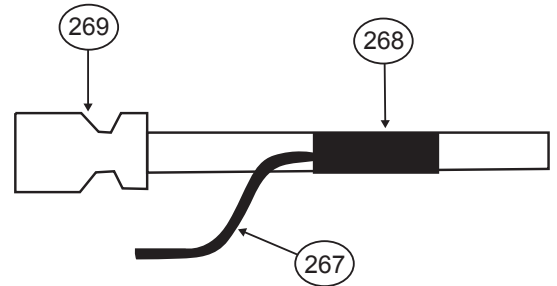
## Branchement du chauffage à basse température ambiante (en option)

Raccorder les fils du chauffage à basse température ambiante à l'alimentation 12 V c.c. Le fil noir (+) du chauffage à basse température ambiante est de calibre 16 AWG et le fil marron (-) est de calibre 18 AWG.

1. Couper le fil d'entrée 12 V (+) derrière le raccord rapide [269] ; dénuder les deux extrémités (voir Art02316).
2. Souder les fils avec le fil noir 16AWG [266].
3. Enrouler les fils soudés avec du ruban électrique noir [268] ; il est CRUCIAL qu'il n'y ait pas de fils exposés.
4. Couper le fil de masse 12 V derrière le raccord rapide [269] ; dénuder les deux extrémités (voir Art02317).
5. Souder les fils avec le fil 18AWG [267].
6. Enrouler les fils soudés avec du ruban électrique noir [268] ; il est CRUCIAL qu'il n'y ait pas de fils exposés.
7. Brancher l'alimentation 12 V aux fils d'entrée.



Art02316



Art02317

**AVIS**

*Ce kit alimente le chauffage en tension c.c. chaque fois que la température ambiante est suffisamment basse. Un entreposage prolongé par temps froid décharge les batteries du véhicule. Pour éviter la décharge des batteries, débrancher le fusible 3 A du chauffage à basse température ambiante.*

## Branchement des éléments du gaz propane

### Branchement des éléments du gaz propane et recherche de fuites dans le système d'arrivée de gaz :

Si de l'air comprimé est utilisé pour le test :

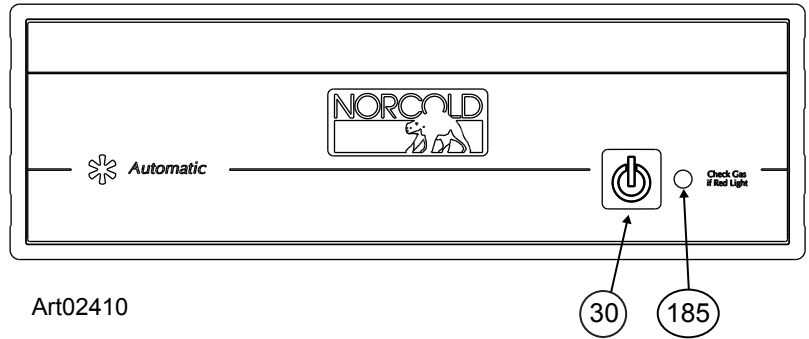
- La pression de l'air comprimé au niveau du robinet d'arrêt manuel du réfrigérateur ne doit pas dépasser 1/2 psig (colonne d'eau de 14 po).
- Si la pression de l'air comprimé est supérieure à 1/2 psig (colonne d'eau de 14 po), retirer le tuyau d'arrivée de gaz du raccord du réfrigérateur avant le test.
- Si la pression de l'air comprimé est égale ou inférieure à 1/2 psig (colonne d'eau de 14 po), fermer le robinet d'arrêt manuel du réfrigérateur avant le test.

## Allumage et mise en marche

Fonctionnement automatique :

Appuyer sur le bouton ON / OFF (Marche/Arrêt) [30] et le relâcher pour mettre le réfrigérateur en marche (voir Art02410).

- Si le voyant [185] s'allume en vert sans clignoter, cela signifie que :
  - Le réfrigérateur a accès à une alimentation de 120 V c.a.
  - Le réfrigérateur fonctionne sur courant alternatif.
- Si le voyant [185] s'allume en jaune sans clignoter, cela signifie que :
  - Le réfrigérateur n'a pas accès à une alimentation de 120 V c.a.
  - Le réfrigérateur fonctionne au gaz propane.
- Si le voyant [185] s'allume en rouge sans clignoter, cela signifie que :
  - Il y a un problème de réfrigération.
  - Consulter la section « Codes d'anomalie » dans ce manuel.



### Effectuer un test de la soupape de sûreté du gaz :

1. Débrancher le(s) cordon(s) d'alimentation c.a. de la prise.
2. Appuyer sur le bouton ON / OFF et le relâcher pour mettre le réfrigérateur en marche.
3. Ouvrir la prise d'air inférieure.
4. Retirer un fil du solénoïde de la soupape de sûreté du gaz, située à l'arrière du réfrigérateur.
5. La flamme doit s'éteindre dans les 30 secondes. Ceci signifie que la soupape de sûreté du gaz fonctionne correctement.
6. Remettre le fil sur le solénoïde de la soupape de sûreté du gaz.
7. Rebrancher le(s) cordon(s) d'alimentation c.a. dans la prise.
8. Fermer la prise d'air inférieure.

### Mise à l'arrêt :

Pour éteindre le réfrigérateur, appuyer sur le bouton ON / OFF et le relâcher.