



## Installation Manual for the 2118X series of RV Refrigerators

The letter “X”, in the model numbers above, stands for letters or numerals which means a refrigerator option.



Improper installation, adjustment, alteration, service or maintenance can cause injury or property damage. Refer to this manual. For assistance or additional information, contact a qualified installer, service agency, or the gas supplier.



### FIRE OR EXPLOSION HAZARD

If you smell gas:

1. Open Windows
2. Do not attempt to light appliance.
3. Do not touch electrical switches.
4. Extinguish any open flame
5. Shut off fuel supply.
6. Evacuate immediately and call emergency services.

Failure to follow these instructions could result in fire or explosion, which could cause property damage, personal injury, or death.

### FOR YOUR SAFETY

Do not store or use gasoline or other flammable vapors and liquid in the vicinity of this or any other appliance.



DO NOT install this refrigerator in below deck marine applications. Do not install this refrigerator in a fixed indoor cabin or other dwelling applications. This refrigerator must use only NORCOLD designed and approved outside air intake and exhaust ventilation for correct and safe operation. Any other ventilation could cause lethal combustion exhaust fumes and/or explosive propane gas fumes to be in the living area and/or to be below deck.

**English**

## Table of Contents

---

Safety Awareness.....	2
Safety Instructions.....	3
Certification and Code Requirements.....	3
Ventilation Requirements.....	4
Key Refrigerator Dimensions.....	5
Assemble the Enclosure for the Refrigerator.....	5
Install the Lower Intake Vent.....	6
Install the Upper Roof Exhaust Vent.....	7
Install the Baffles for an Upper Roof Exhaust Vent.....	7
Vertical enclosures.....	7
Offset vertical enclosures.....	9
Install an Upper Side-Wall Exhaust Vent.....	10
Install the Baffles for an Upper Side-Wall Exhaust Vent.....	11
Rear Wall Installation.....	12
Install Decorative Door Panels (non-metal door models).....	12
Install the Refrigerator.....	13
Connect the Electrical Components.....	14
Connect the 120 volts AC supply.....	15
Connect the 12 volts DC supply.....	15
Connect the Low Ambient Heater (optional).....	15
Connect the Propane Gas Components.....	16
Connect the propane gas supply system.....	16
Examine the propane gas supply system for leaks.....	16
Connect the Ice Maker.....	17
Connect the water supply line.....	17
Ignition and Start Up.....	18
Ignition and start up.....	18
Modes of operation.....	18
Do a test of the gas safety valve.....	19
Shut down.....	19
Fault Codes.....	20

## Safety Awareness

---

Read this manual carefully and understand the contents before you install the refrigerator.

Be aware of possible safety hazards when you see the safety alert symbol on the refrigerator and in this manual. A signal word follows the safety alert symbol and identifies the danger of the hazard. Carefully read the descriptions of these signal words to fully know their meanings. They are for your safety.



**This signal word means a hazard, which if ignored, can cause dangerous personal injury, death, or much property damage.**



**This signal word means a hazard, which if ignored, can cause small personal injury or much property damage.**

## Safety Instructions

---



- This refrigerator is not approved for use as a free standing refrigerator. It is equipped for the use of propane gas only and can not be changed to use any other fuels (natural gas, butane, etc.).
- Incorrect installation, adjustment, alteration, or maintenance of this refrigerator can cause personal injury, property damage, or both.
- Obey the instructions in this manual to install intake and exhaust vents.
- Do not install the refrigerator directly on carpet. Put the refrigerator on a metal or wood panel that extends the full width and depth of the refrigerator.
- Do not allow anything to touch the refrigerator cooling system.
- Propane gas can ignite and cause an explosion that can result in property damage, personal injury, or death. Do not smoke or create sparks. Do not use an open flame to examine the propane gas supply line for leaks. Always use two wrenches to tighten or loosen the propane gas supply line connections.
- Make sure the electrical installation obeys all applicable codes. See “Certification and Code Requirements” section.
- Do not bypass or change the refrigerator’s electrical components or features.
- Do not spray liquids near electrical outlets, connections, or the refrigerator components. Many liquids are electrically conductive and can cause a shock hazard, electrical shorts, and in some cases fire.
- The refrigerator cooling system is under pressure. Do not try to repair or to recharge a defective cooling system.
- The cooling system contains sodium chromate. The breathing of certain chromium compounds can cause cancer. The cooling system contents can cause severe skin and eye burns, and can ignite and burn with an intense flame. Do not bend, drop, weld, move, drill, puncture, or hit the cooling system.



- The rear of the refrigerator has sharp edges and corners. To prevent cuts or abrasions when working on the refrigerator, use caution and wear cut resistant gloves.
- Make sure that the refrigerator is stored in a location so that it is not exposed to the elements of the weather.

## Certification and Code Requirements

---

This refrigerator is certified by CSA International as meeting the latest edition of ANSI Z21.19 / CSA 1.4 standards for installation in mobile homes or recreational vehicles.

The installation must obey these standards and this “Installation Manual” for the NORCOLD limited warranty to be in effect. Installation must conform with the following as applicable:



Art01290



## In the United States and Canada:

- Local codes, or in the absence of local codes, the National Fuel Gas Code, ANSI Z223.1/NFPA 54, the Natural Gas and Propane installation Code, CSA B149.1, ANSI A119.2 Recreational Vehicles Code, and CSA Z240 RV Series, Recreational Vehicles.
- A manufactured home (mobile home) installation must conform with the Manufactured Home Construction and Safety Standard, Title 24 CFR, Part 3280 [formerly the Federal Standard for Mobile Home Construction and Safety, Title 24 (part 280), and the current CSA Z240.4, Gas-equipped Recreational Vehicles and Mobile Housing.
- If an external power source is utilized, the appliance, when installed, must be electrically grounded in accordance with local codes or, in the absence of local codes, the National Electrical code, and ANSI/NFPA 70, or the Canadian Electrical Code, CSA C22.2. Parts 1 and 2.

All propane gas supply piping and fittings must obey local, state, and national codes about type and size. These components must also obey the current NFPA 1192 section 2-4, and in Canada with the current CAN 1-6.10 Standard.

## Ventilation Requirements

---



The completed installation must:

- **Make sure there is sufficient intake of fresh air for combustion.**
- **Make sure the living space is completely isolated from the combustion system of the refrigerator.**
- **Make sure there is complete and unrestricted ventilation of the flue exhaust which, in gas mode, can produce carbon monoxide. The breathing of carbon monoxide fumes can cause dizziness, nausea, or in extreme cases, death.**
- **Make sure the refrigerator is completely isolated from its heat generating components through the correct use of baffles and panel construction.**

Certified installation needs one lower intake vent and one upper exhaust vent. Install the vents exactly as written in this manual. Any other installation method voids both the certification and the factory warranty of the refrigerator.

The bottom of the opening for the lower intake vent, which is also the service access door, must be even with or immediately below the floor level. This allows any leaking propane gas to escape to the outside and not to collect at floor level.

CSA International certification allows the refrigerator to have zero (0) inch minimum clearance at the sides, rear, top, and bottom. While there are no maximum clearances specified for certification, the following maximum clearances are necessary for correct refrigerator performance:

Bottom	0 inch min.	0 inch max.
Each Side	0 inch min.	1/2 inch max.
Top	0 inch min.	1/4 inch max.
Rear	0 inch min.	1 inch max.

These clearances plus the lower and upper vents allow the natural air draft that is necessary for good refrigeration. Cooler air comes in through the lower vent, goes up around the refrigerator coils where it removes the excess heat from the refrigerator components, and goes out through the upper vent.

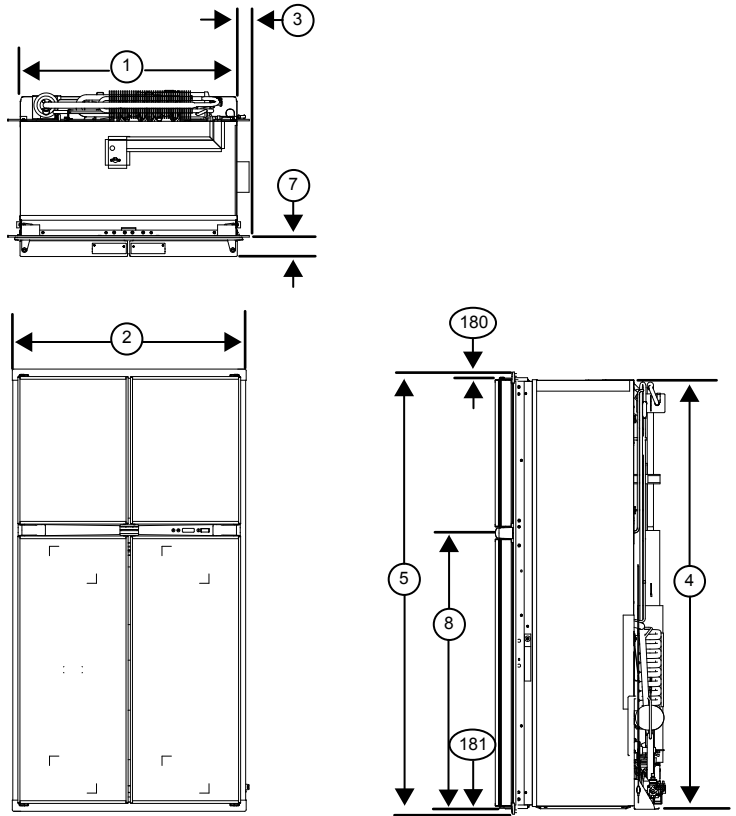
The refrigerator also has thermostat controlled fans to move air across the cooling system. These fans turn on when the condenser fin temperature at the thermostat is about 130° F or higher and only when the refrigerator controls are on. These fans turn off when the condenser fin temperature at the thermostat is about 115° F or less. Even with these fans, if the air flow is blocked or decreased, the refrigerator will not cool correctly.

Each NORCOLD model is certified by CSA International for correct ventilation. Install only the certified vents that are listed in this manual.

## Key Refrigerator Dimensions

These key refrigerator dimensions are for your reference as necessary (See Art02477).

Refrigerator cabinet width w/o trim:	
35.6 in.....	1
Refrigerator width overall w/ trim:	
37.3 in.....	2
Refrigerator cabinet to side trim:	
.90 in.....	3
Refrigerator cabinet height w/o trim:	
68.6 in.....	4
Refrigerator height overall w/ trim:	
70.6 in.....	5
Refrigerator cabinet to top trim:	
1.20 in.....	180
Refrigerator bottom rail to bottom trim:	
0.80 in.....	181
Enclosure wall to door fronts:	
3.2 in.....	7
Refrigerator bottom rail to center of handles:	
44.1 in.....	8



Art 02477

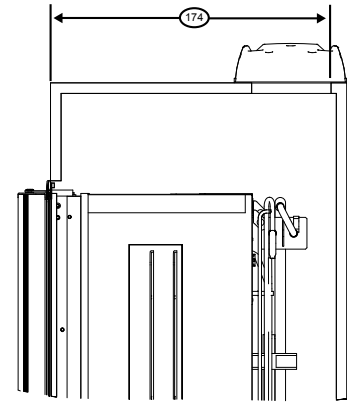
## Assemble the Enclosure for the Refrigerator

1. Make sure the enclosure shelf is solid and level. The enclosure shelf must be:
  - a metal or a wood panel and extend the full width and depth of the enclosure.
  - able to support the weight of the refrigerator and its contents.
  - level to maintain door alignment.
2. Make sure there are no adjacent heat sources such as a furnace vent, a hot water heater vent, etc.

3. Make sure the enclosure is 68.94 - 69.06 inches high x 35.94 - 36.04 inches wide x 24.00 - 24.13 inches deep.

**NOTICE** Measure the enclosure depth [174] from the interior face of the enclosure to the inside of the rear wall (See ART02478).

4. If there is more than 1/2 inch between either side of the refrigerator and the inside of the enclosure:
- Fill the space with fiberglass (batt-type) insulation or add a baffle to eliminate the clearance.
    - The rear of the batt-type insulation must be between 18 -19 inches from the face of the enclosure.
    - Securely attach the batt-type insulation to the enclosure, so that it remains in this position during refrigerator installation, if it becomes wet, and in windy conditions.



Art 02478

5. The enclosure face must be perpendicular to the enclosure shelf to provide a combustion seal.
6. The cutout opening must be square and perpendicular to the enclosure shelf to maintain door alignment.
7. Using the following chart, decide which vents and rough opening (RO) sizes to use:

Certified Vent	P/N	RO Height	RO Width
Upper Roof Exhaust Cap	622293	N/A	N/A
	625240	N/A	N/A
Upper Roof Exhaust Vent	616319	24 in.	5 1/4 in.
	625161	24 in.	5 1/4 in.
Upper Exhaust & Lower Intake Plastic	637318	13 3/4 +1/8-0 in	29 7/16 + 1/8 -0 in.

**NOTICE** The side vent RO must be square. Diagonal measurements of the RO must be within 1/16 in. The vent should be centered in the RO width.

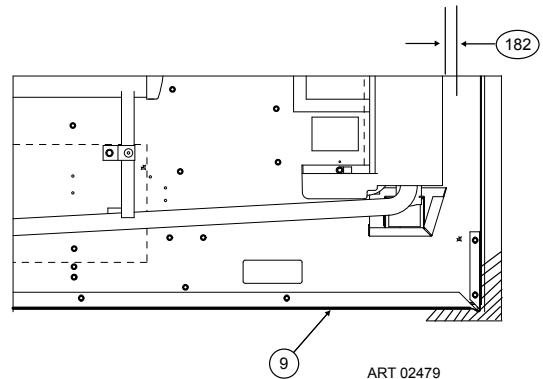
### Install the Lower Intake Vent

Install the lower intake vent (See Art02479):

**NOTICE** The lower intake vent is also the service access opening for the components on the rear of the refrigerator.

**WARNING** Make sure the bottom of the opening of the lower intake vent is even with or immediately below the floor level. This allows any leaking propane gas to escape to the outside and not to collect at floor level.

- Make sure the bottom of the opening of the lower intake vent [9] is even with or immediately below the floor level.
- Make sure that the opening for the lower intake vent is between 1/2 inch and 1 inch [182] from the burner side of the refrigerator enclosure.



ART 02479

## Install an Upper Roof Exhaust Vent

1. Install the upper roof exhaust vent.

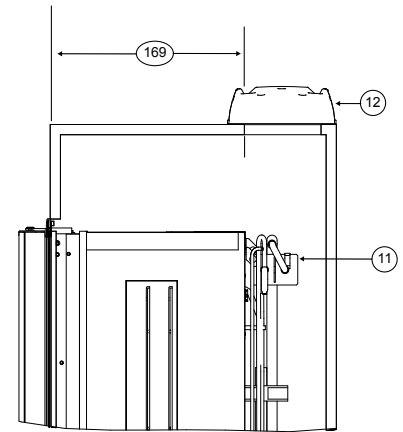


**Make sure that no sawdust, insulation, or other construction debris is on the refrigerator or in the enclosure. Debris can cause a combustion hazard and prevent the refrigerator from operating correctly.**



*Tighten the screws of the upper roof exhaust cap to 10 inch-pounds max. Also make sure that the air flow around the upper roof exhaust cap is not blocked or decreased by other roof mounted features such as a luggage carrier, an air conditioner, a solar panel, etc.*

2. Align the upper roof exhaust vent above the lower intake exhaust vent:
3. Determine the type of enclosure in a vehicle using an upper roof exhaust vent (See Art02480):



Art 02480

- If the distance from the face of the enclosure to the inboard edge of the roof exhaust vent opening [169] is more than 17 1/2 inches, install the roof exhaust vent [12] directly above the condenser [11] of the refrigerator as a vertical enclosure.
- If the distance from the face of the enclosure to the inboard edge of the roof exhaust vent opening [169] is 17 1/2 inches or less, install the roof exhaust vent [12] inboard from the condenser [11] of the refrigerator as an offset vertical enclosure.

## Install the Baffles for an Upper Roof Exhaust Vent

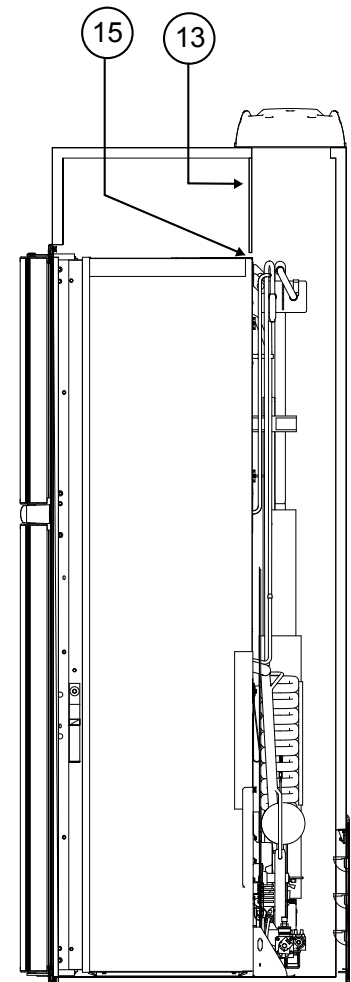


**Make sure that all horizontal baffles are the full width of the inside of the enclosure and are in the correct location. If the baffles are not the full width of the enclosure or incorrectly located, poor cooling performance can result.**

### Vertical enclosures:

If the enclosure depth is 24 inches or more and less than 25 inches (See Art02481):

- Install a top baffle [13].
  - Make sure there is less than 1/4 inch clearance [15] between the baffle and the top of the refrigerator.

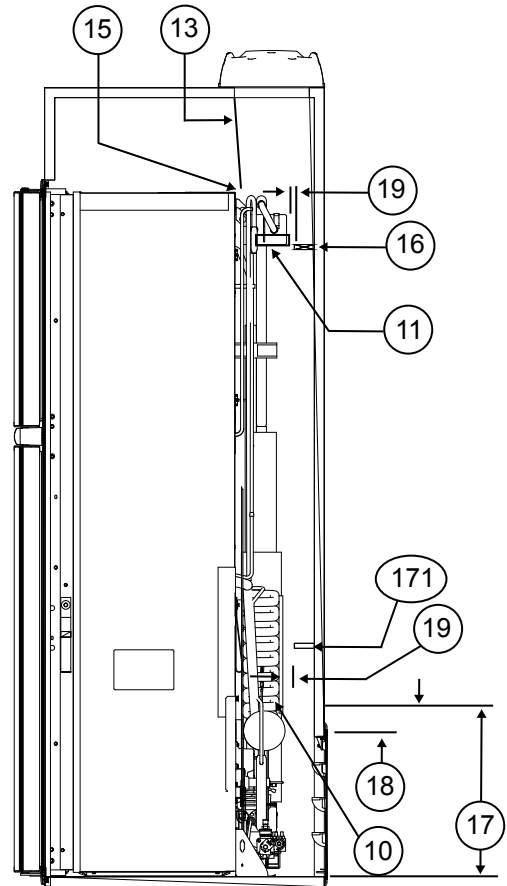


If the enclosure depth is 25 inches or more and less than 26 inches  
(See Art02482):

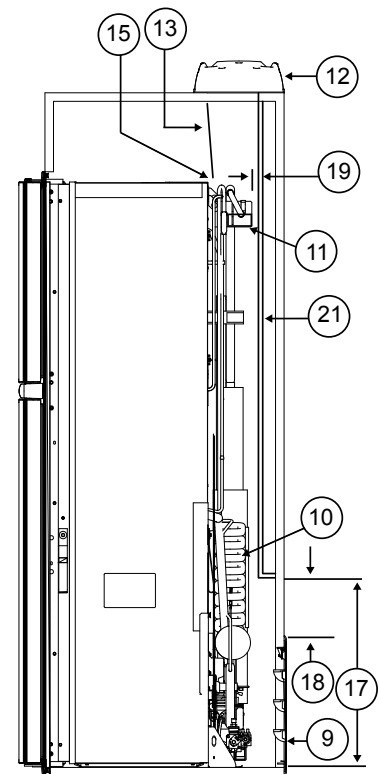
- Install a top baffle [13].
  - Make sure that the top baffle is less than 1/4 inch [15] from the top of the refrigerator.
- Install a condenser baffle [16] at the lowest edge of the condenser of the refrigerator.
  - Make sure that the condenser baffle is 1 inch or less [19] from the condenser.
- Install an absorber baffle [171] 18 inches to 18 1/2 inches above the bottom of the enclosure [17] (4 1/4 inches to 4 3/4 inches above the top of the lower intake vent opening) [18] .
  - Make sure that the absorber baffle is 1 inch or less [19] from the absorber.

If the enclosure depth is 26 inches or more (See Art02483):

- Install a top baffle [13].
  - Make sure that the top baffle is less than 1/4 inch [15] from the top of the refrigerator.
- Install a wood or an aluminum or galvanized sheet solid box baffle [21] in the rear of the enclosure.
  - Make sure that the bottom of the solid box baffle is 21 inches to 21 1/2 inches above the bottom of the enclosure [17] (7 1/4 inches to 7 3/4 inches above the top of the lower intake vent opening) [18] .
  - Make sure that the back of the solid box baffle is perpendicular to the bottom of the enclosure.
  - Make sure that the back of the solid box baffle is against the top of the enclosure.
    - Make sure that the solid box baffle is one inch or less [19] from the coils [10] and condenser [11] of the refrigerator.
    - Make sure that the solid box baffle is the full width of the inside of the enclosure.



Art 02482



Art 02483



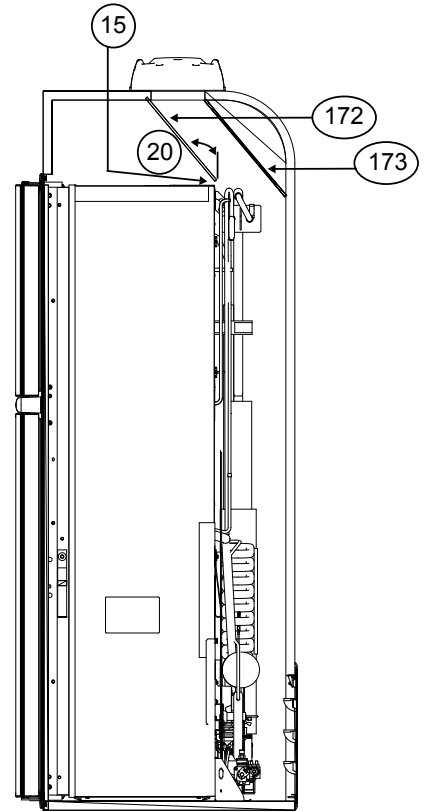
## Offset vertical enclosures:

If the enclosure depth is 24 inches or more and less than 25 inches (See Art02484):

- Install an angled top baffle [172] between the top rear edge of the refrigerator and the inside edge of the upper exhaust vent opening.
  - Make sure that the angled top baffle is less than 1/4 inch [15] from the top of the refrigerator.
  - Make sure that the angled top baffle is no more than 45° from vertical [20].
- Install an inside corner baffle [173] between the outside edge of the upper exhaust vent opening and the side wall of the vehicle.
  - Make sure that the inside corner baffle is approximately parallel to the angled top baffle.

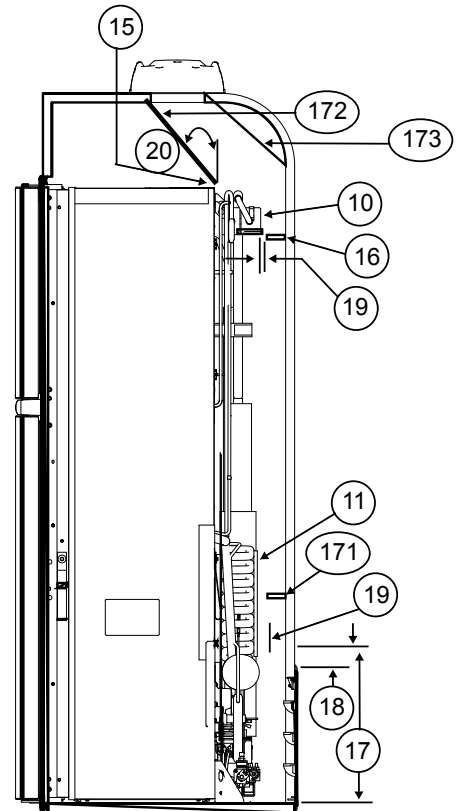
If the enclosure depth is 25 inches or more and less than 26 inches (See Art02485):

- Install an angled top baffle [172] between the top rear edge of the refrigerator and the inside edge of the upper exhaust vent opening.
  - Make sure that the angled top baffle is less than 1/4 inch [15] from the top of the refrigerator.
  - Make sure that the angled top baffle is no more than 45° from vertical [20].
- Install an inside corner baffle [173] between the outside edge of the upper exhaust vent opening and the side wall of the vehicle.
  - Make sure that the inside corner baffle is approximately parallel to the angled top baffle.



Art 02484

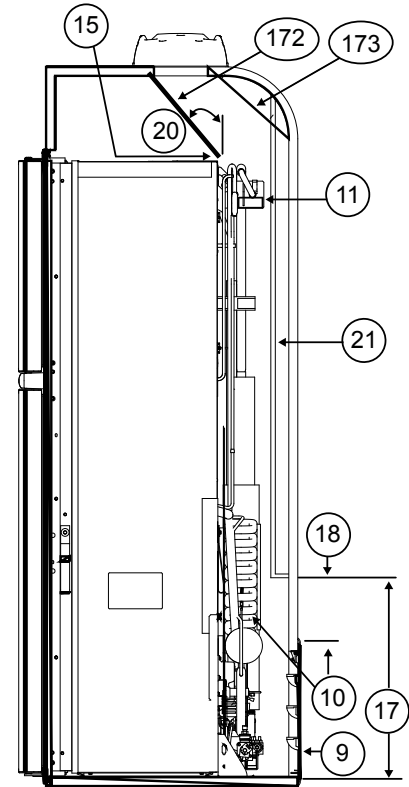
- Install a condenser baffle [16] at the lowest edge of the condenser of the refrigerator.
  - Make sure that the condenser baffle is 1 inch or less [19] from the condenser.
- Install an absorber baffle [171] 21 inches to 21 1/2 inches above the bottom of the enclosure [17] (21 1/4 inches to 4 3/4 inches above the top of the lower intake vent opening) [18].
  - Make sure that the absorber baffle is 1 inch or less [19] from the absorber.



Art 02485

If the enclosure depth is 26 inches or more (See Art02486):

- Install an angled top baffle [172] between the top rear edge of the refrigerator and the inside edge of the upper exhaust vent opening.
  - Make sure that the angled top baffle is less than 1/4 inch from the top of the refrigerator.
  - Make sure that the angled top baffle is no more than 45° from vertical [20].
- Install an inside corner baffle [173] between the outside edge of the upper exhaust vent opening and the solid box baffle.
  - Make sure that the inside corner baffle is approximately parallel to the angled top baffle.
- Install a wood or an aluminum or galvanized sheet solid box baffle [21] in the rear of the enclosure.
  - Make sure that the bottom of the solid box baffle is 21 inches to 21 1/2 inches above the bottom of the enclosure [17] (7 1/4 inches to 7 3/4 inches above the top of the lower intake vent opening) [18].
  - Make sure that the back of the solid box baffle is perpendicular to the bottom of the enclosure.
  - Make sure that the back of the solid box baffle is either against the top of the enclosure or against the inside corner baffle [173] (depending on the vehicle design).
    - Make sure that the solid box baffle is one inch or less from the coils [10] and condenser [11] of the refrigerator.
    - Make sure that the solid box baffle is the full width of the inside of the enclosure.



Art 02486

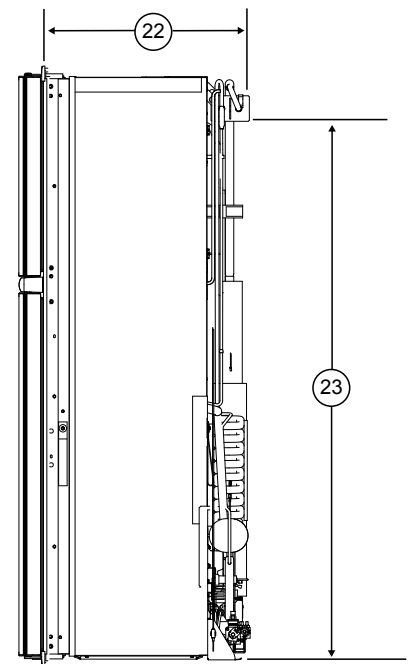
## Install an Upper Side-Wall Exhaust Vent

If the design of the vehicle does not allow you to install a roof exhaust vent, install an upper side-wall exhaust vent:

### NOTICE

*The refrigerator is 23.75 in. min. to 24.05 in. max. from the rear of the breaker to the rear of the condenser [22] and is 61.35 in. min. to 61.65 in. max. from the bottom of the refrigerator to the bottom of the refrigerator condenser [23] (See Art02487).*

- Install the upper side-wall exhaust vent [24] so that the distance [25] from the bottom of the enclosure to the top of the rough opening for the upper exhaust vent is at least 71.0 inches (See Art02487 and Art02488).
- Align the upper exhaust vent horizontally above the lower intake vent [9].



Art 02487

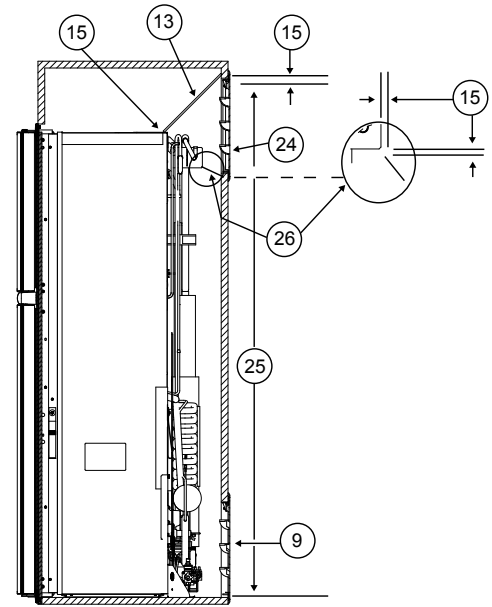
## Install the Baffles for an Upper Side-Wall Exhaust Vent



**Make sure that all horizontal baffles are the full width of the inside of the enclosure and are in the correct location. If the baffles are not the full width of the enclosure or incorrectly located, poor cooling performance can result.**

If the enclosure depth is 24 inches or more and less than 26 inches (See Art02488):

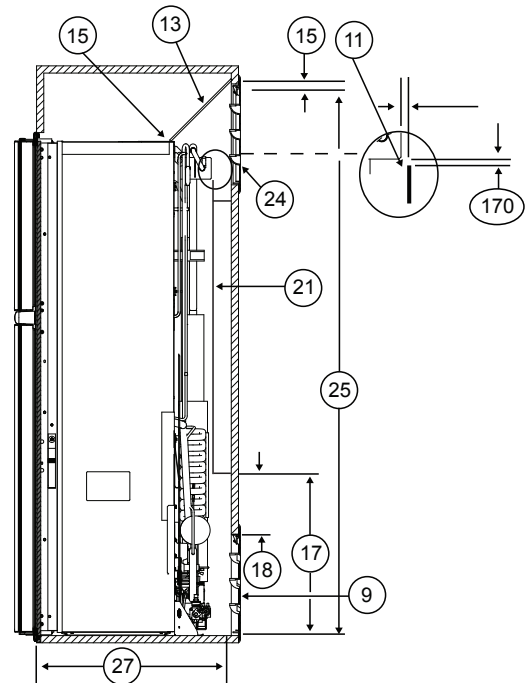
- Install a wood, aluminum or galvanized steel top baffle [13] between the top of the refrigerator and the top of the upper exhaust vent [24].
  - Make sure that the top baffle is less than 1/4 inch [15] from the top of the refrigerator and baffle overlaps the refrigerator 1 inch or less.
  - Make sure that the baffle is against the wall of the vehicle at the top of the upper exhaust vent and less than 1/4 inch above the opening for the upper exhaust vent.
- Install an aluminum or galvanized steel bent-sheet condenser baffle [26].
  - Make sure that the bend of the condenser baffle is the full width of the inside of the enclosure.
  - Make sure that the bend of the condenser baffle is flush with the bottom edge of the door frame of the upper side-wall exhaust vent.
  - Make sure that the top edge of the condenser baffle is 1/4 inch or less [15] from the lower rear corner of the condenser.



Art 02488

If the enclosure depth is 26 inches or more (See Art02489):

- Install a wood, aluminum or galvanized steel top baffle [13] between the top of the refrigerator and the top of the upper exhaust vent [24].
  - Make sure that the top baffle is less than 1/4 inch [15] from the top of the refrigerator and that the baffle overlaps the refrigerator 1 inch or less.
  - Make sure that the baffle is against the wall of the vehicle at the top of the upper exhaust vent and less than 1/4 inch [15] above the opening for the upper exhaust vent.
- Install a solid box baffle [21] between the lower intake vent and the upper exhaust vent.
  - Make the solid box baffle either from wood or from an aluminum or galvanized-steel sheet.
  - Make sure that the bottom of the solid box baffle is 21 inches to 21 1/2 inches above the bottom of the enclosure [17] (7 1/4 inches to 7 3/4 inches above the top of the lower intake vent opening REF) [18].
  - Make sure that the back of the solid box baffle is perpendicular to the bottom of the enclosure.



Art 02489

- Make sure that the horizontal top of the solid box baffle is even with the bottom edge of the upper exhaust vent [24].
- Make sure the horizontal top edge of the baffle is 1/2 inch or less [170] below and 1/4 inch or less behind the lower rear corner of the condenser [11].

## Rear wall Installation

---

For rear wall installations please refer to special instructions 620918 for additional required instructions.

### Install Decorative Door Panels (non-metal door models)

---

**NOTICE** *The doors are made to accept decorative panels. The decorative panels must be 3/16 inch or less in thickness. Install the decorative door panels in the refrigerator doors before installing the refrigerator in the vehicle.*

1. Make two upper door panels that are 17 1/4 inches wide x 23 1/8 inches high:

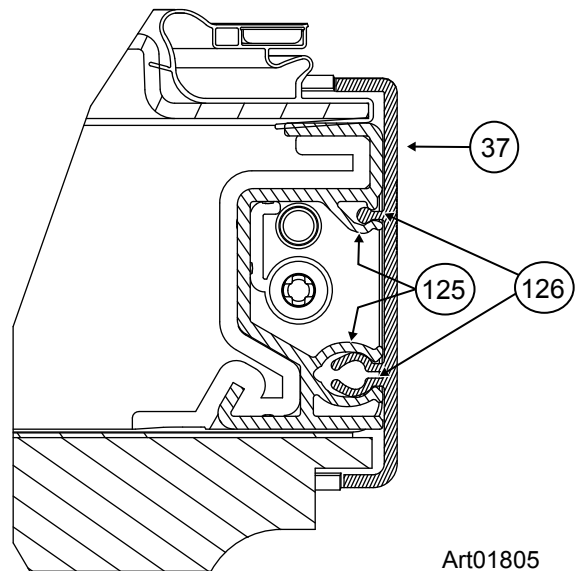
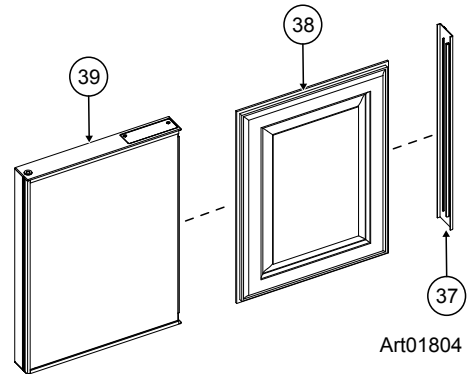
- Raised panels must be centered on each door and no larger than 16 1/2 inches wide x 22 3/8 inches high.

2. Make two lower door panels that are 17 1/4 inches wide x 42 5/16 inches high:

- Raised panels must be centered on each door and no larger than 16 1/2 inches wide x 41 9/16 inches high.

3. Install the decorative door panels:

- Pull the panel retainer [37] off of each door [39] (See Art01804).
- Push a decorative door panel [38] into the slots of each door.
- Make sure that each panel retainer is correctly positioned and push the curved snaps [125] of the panel retainer [37] inside of the curved snaps [126] of the door (See Art01805).



## Install the Refrigerator

---

When manually (by hand) or mechanically (by hoist, lift truck, etc.) handling a refrigerator that is not installed in an enclosure, the best method is while the refrigerator is in its original packaging.

If the refrigerator is not in its original packaging, use the handling straps [183] of the refrigerator cabinet as the primary load carrying points (See Art0290). There are two (2) handling straps on both the right and left side of the refrigerator cabinet.

These handling straps may be used to lift, move, and tilt the refrigerator. Norcold recommends that all lifting, moving, and tilting of the refrigerator is always done by at least 2 persons.



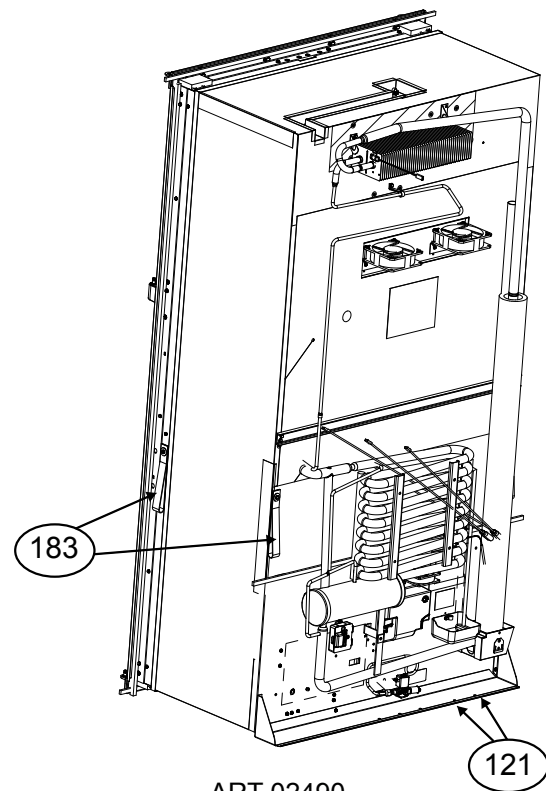
**Use only the handling straps to lift, move, or tilt the refrigerator. Using any part of the refrigerator other than the handling straps, to lift, move, or tilt it can result in damage to the refrigerator.**

1. Remove the packaging support block (See Art01850):

- Open both lower doors of the refrigerator.
- Remove and discard the two screws [41] from the front of the lower mounting flange of the refrigerator.
- Tilt the refrigerator back just enough to remove the wooden packaging support block [209] from behind the lower mounting flange.
- Close the doors.

2. Put the refrigerator completely into the enclosure:

- Push below the center of the refrigerator.



ART 02490

- Pull using a wire-form tool hooked into mounting holes [121] of the refrigerator frame (See Art01808).



**Make sure the foam combustion seal is not broken, is completely around the refrigerator mounting flanges, and is between the mounting flanges and the wall of the enclosure. If the seal is not complete, exhaust fumes can be present in the living area of the vehicle. The breathing of exhaust fumes can cause dizziness, nausea, or in extreme cases, death.**

3. Put the refrigerator in position:



*Be careful when you put the refrigerator into position. It is not necessary to remove the protective packaging from the doors of metal door models to install or operate the refrigerator.*

- Make sure that the flue cap is not pushed down against the top of the flue tube.
- Push the refrigerator completely into the enclosure.

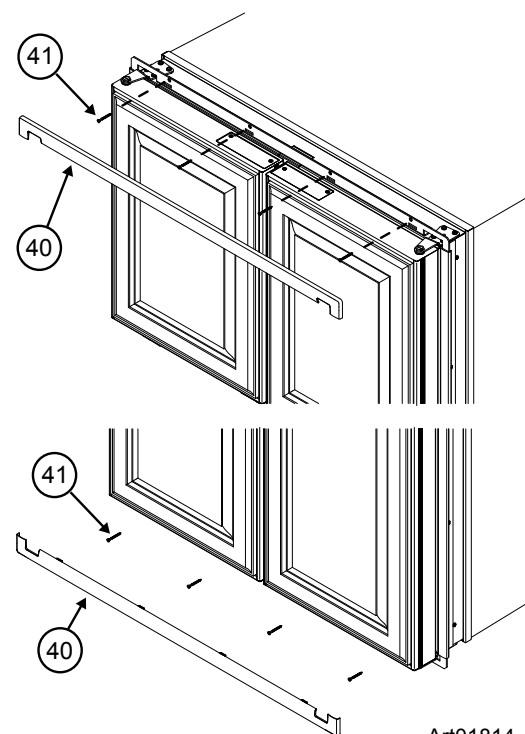
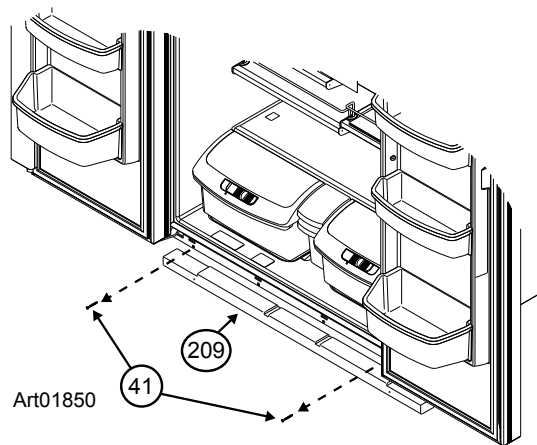
4. Install the mounting screws and trim (See Art01814):

- Put the four screws [41] through both the upper and the lower mounting flanges on the front of the refrigerator and into the enclosure wall.
- Push the trim pieces [40] onto the front of the refrigerator.
- Put screws through the mounting flange on the rear of the refrigerator and into the floor.

5. On metal door models only, you may wish to remove the protective packaging from the doors.



*Be careful to not scratch or dent the metal doors. Do not use any abrasive cleaners, chemicals, or scouring pads because they can damage the finish of the doors.*



## Connect the Electrical Components

AC Operation	120 volts	(132 volts max. - 108 volts min.)
	12 volts	(15.4 volts max. - 10.5 volts min.)
DC Operation	12 volts	(15.4 volts max. - 10.5 volts min.)

This refrigerator operates on these electrical sources. Operation out of these limits may damage the refrigerator's electrical circuit parts and will void the warranty.



The rear of the refrigerator cooling system has hot surfaces and sharp surfaces that can damage electrical wiring. Make sure that there is a good clearance between all electrical wiring and the cooling system of the refrigerator. Position any electrical wiring within the refrigerator enclosure opposite the burner side of the refrigerator. Do not put any electrical wiring through the roof exhaust vent. Failure to correctly position electrical wiring can result in electrical shock or fire.

### Connect the 120 volts AC supply:



Connect the AC power cord(s) only to a grounded three-prong receptacle. Do not remove the round ground prong from any of the AC power cords. Do not use a two prong adapter or an extension cord with any of the AC power cords. Operation of the refrigerator without correct ground can cause dangerous electrical shock or death if you are touching the metal parts of the refrigerator.

Put the AC power cord(s) into a grounded three-prong receptacle:

- Make sure the receptacle is positioned within easy reach of the lower intake vent.
- Make sure the power cord(s) does not touch the burner cover, the flue pipe, or any hot component that could damage the insulation of the power cord.

### Connect the 12 volts DC supply:

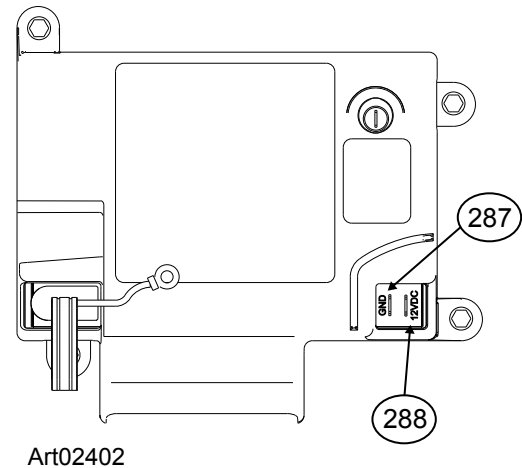
As the distance from the vehicle battery to the refrigerator increases, the correct AWG wire size and fuse size also increases. If the wire size is too small for the distance, a voltage drop occurs. The voltage drop decreases the output of the system heater and causes poor cooling performance.

1. Determine the min. wire size and the max. fuse size to use:



If you use an incorrect wire size and/or fuse size, electrical fire can result.

- On 2-way models, use a minimum of 18 AWG wire and a maximum 6 Amp fuse.
2. Install a fuse in DC power supply wires between the battery and the refrigerator:
- Put fuse as close to the battery as possible.
3. Connect the DC power supply wires (See Art02402):
- Attach a 1/4 inch Quick Connect terminal to each DC power supply wire.
  - Push the positive DC power wire onto the power board terminal that is marked 12VDC [288].
  - Push the DC ground wire onto the power board terminal that is marked GND [287].
  - Make sure each DC power supply wire is on the correct polarity terminal.



### Connect the Low Ambient Heater

Connect the low ambient heater wires to the 12 volts DC supply. The black (+) wire of the low ambient heater connects to 12V and the brown wire connects to 12V ground.



This kit supplies DC voltage to the heater any time the ambient temperature is low enough. Extended storage during cold weather will drain the vehicle batteries. To prevent battery drain, remove the 3 amp fuse from the low ambient heater.

## Connect the Propane Gas Components

---

This refrigerator operates on propane gas at a pressure of 11 inches Water Column Propane.

The controls operate on 12 volts DC (10.5 volts min. - 15.4 volts max.). Operation out of these limits can damage the refrigerator electrical circuit parts and will void the warranty.

### Connect the propane gas supply system:



**Be very careful when working on or near the propane gas system.**

- Do not smoke, or use an open flame near the propane gas system.
- Do not use an open flame to examine for leaks.
- Do not connect the refrigerator to the propane gas tank without a pressure regulator between them.
- To avoid a propane gas leak, always use two wrenches to tighten or loosen the propane gas supply line connections.
- Leaking propane gas can ignite or explode and result in dangerous personal injury or death.

Connect the gas supply line to the refrigerator:

- Make sure that all tubing and fittings obey all local, state, and national codes about size and type.
- Make sure that all flexible metal connectors obey the current CAN1-6.10 Standard.
- Make sure that the materials used for the gas supply line obey both the current ANSI A 119.2 (NFPA 1192) and CSA Z240 Standards on Recreational Vehicles. Norcold recommends the use of 3/8 inch copper tubing as the gas supply line and requires a 3/8 inch SAE (UNF 5/8-18) male flare fitting as the connection to the refrigerator.
- Put the propane gas supply line up through the floor of the enclosure.
- Make sure the hole through the floor is large enough allow clearance for the gas supply line.
- Put a weather resistant seal (grommet, sealant, etc.) around the gas supply line where it goes through the floor to prevent vibration and abrasion.
- To prevent vibration and abrasion, make sure that the gas supply line is not against anything in the enclosure.
- Attach the gas supply line to the bulkhead fitting of the refrigerator.

### Examine the propane gas supply line for leaks:



**Do not allow the leak detecting solution to touch the electrical components. Many liquids are electrically conductive and can cause electrical shorts and in some cases, fire.**

Use a leak detecting solution to examine the gas supply line and all propane gas connections for leaks.

If you use compressed air for the test:

- The pressure of the compressed air at the manual shut off valve of the refrigerator must not be more than 1/2 psig (14 inches Water Column).
- If the pressure of the compressed air is more than 1/2 psig (14 inches Water Column), remove the gas supply line from the bulkhead fitting of the refrigerator before the test.
- If the pressure of the compressed air is equal to or less than 1/2 psig (14 inches Water Column), close the manual shut off valve of the refrigerator before the test.



## Connect the Ice Maker (Optional)

The ice maker may be assembled to the refrigerators at the factory.

The refrigerator installer must connect a cold water supply line to the solenoid valve at the rear of the refrigerator. The following are necessary to connect the icemaker:

- 1/4 in. OD copper tubing for the water supply line.

OR

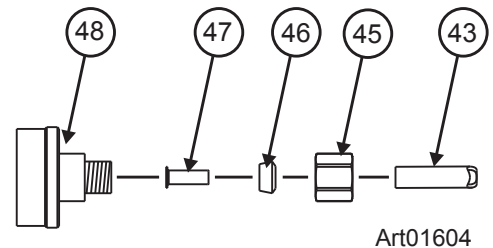
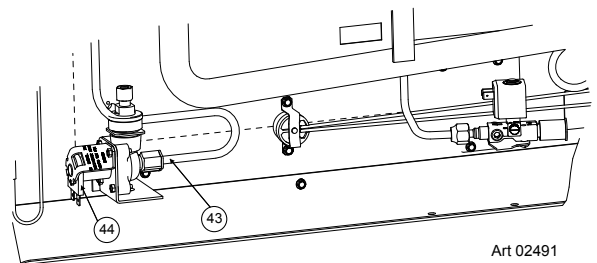
- 1/4 in. OD plastic tubing for the water supply line.
- 1/4 in. shut off valve in the water supply line. This should be easily accessible through the lower intake vent.

### Connect the water supply line:

Install a 1/4 in. OD water supply line [43] from the water shut off valve [44] of the vehicle to the solenoid water valve [44] at the rear of the refrigerator (See Art02491):

**NOTICE** A brass compression nut [45], a brass sleeve, a plastic sleeve [46], and a brass insert [47] are supplied and attached to the rear of the refrigerator (See Art01604).

- Put the compression nut and then the sleeve onto the water supply line [43].
  - For copper tubing, use the brass sleeve.
  - For plastic tubing, use the plastic sleeve [46].
  - For plastic tubing with .040 in. wall thickness, also use the brass insert [47].
  - Flush the water supply line until the water is clear.
- Put the tubing into the adapter [48] until it is against the stop of the adapter.
- Tighten the compression nut by hand (hard finger tight).
- Using two wrenches, tighten the compression nut 1 1/2 to 2 turns.
- Open the water shut off valve of the vehicle.
- Examine the connections for leaks.



## Ignition and Start Up

Before ignition or start up of the refrigerator:

- Make sure the air flow in the lower intake vent, through the refrigerator coils and condenser, and out the upper exhaust vent is not blocked or decreased.
- Make sure there are no combustible materials in or around the refrigerator.

### Ignition and start up:

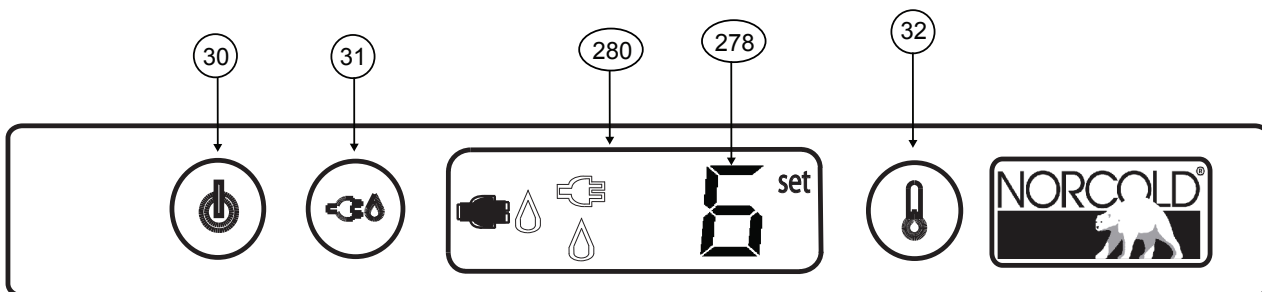
#### NOTICE

*If the gas does not ignite within 30 seconds, the gas valve of the refrigerator will automatically close, the igniter will stop sparking, an audible alarm will sound, and the fault codes "no" "FL" will flash on the LCD [280]. To reset the controls, press and hold the POWER ON/OFF button [30] for 1 second to turn the refrigerator off and then press it again to restart the refrigerator (See Art02492).*

If the gas does not ignite after several attempts, refer to the "Fault Codes" section of this manual.

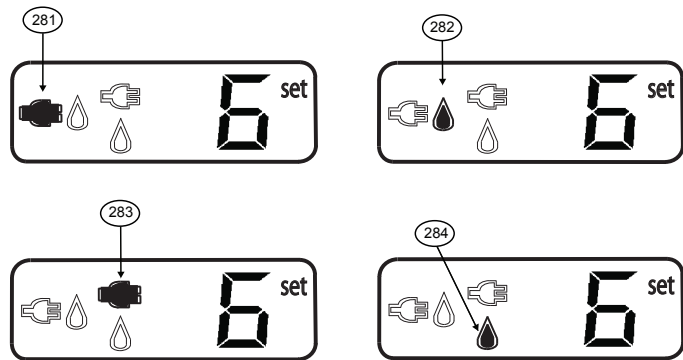
### Modes of Operation:

1. Push and release the POWER ON/OFF button [30]
2. Select the mode of operation.
  - Push and hold the MODE button [31] to scroll through the available operation modes of the refrigerator, one after the other.
    - When the desired mode indicator comes on in the LCD, release the MODE button.
  - Or push and release the MODE button again and again to change the available operation modes of the refrigerator, one at a time.
  - As you change the mode, the applicable mode indicator will come on.



ART 02492

- On 2-way models, the mode indicators are (See Art02493):
  - Auto mode AC electric [281]
  - Auto mode gas [282]
  - Manual mode AC electric [283]
  - Manual mode gas [284]



3. Select the temperature setting:

- Push and hold the TEMPERATURE SET button [32] to scroll through the temperature settings, one after the other (See Art02492).
- Or push and release the TEMPERATURE SET button again and again to change the temperature settings, one at a time.
- The temperature settings [278] come on as numbers in the LCD.
  - Select one of nine (9) temperature settings:
    - One (1) is the warmest temperature setting.
    - Nine (9) is the coldest temperature setting.

**Do a test of the gas safety valve:**

1. Start up the refrigerator in the manual mode operation.
2. Open the lower intake vent.
3. Remove one wire from the solenoid of the gas safety valve at the rear of the refrigerator.
4. Within 30 seconds, the flame should extinguish. This means that the gas safety valve is operating correctly.
5. Put the wire back on the solenoid of the gas safety valve.
6. Close the lower intake vent.

**Shut down - all models:**

To shut down the refrigerator, push and hold the ON/OFF button for one second.

## Fault Codes

Fault Codes	Fault Code Meaning	Corrective Actions
"dr" Audible alarm also.	The door was open for more than 2 minutes.	Close the door.
"no" "FL" Audible alarm also.	The burner did not ignite or re-ignite.	Check: <ul style="list-style-type: none"> <li>- That the valve of the propane gas tank(s) is open.</li> <li>- That the propane gas is at the correct pressure.</li> <li>- That the manual shut off valve of the refrigerator is open.</li> <li>- That there is no air in the propane gas supply line. See "Removing air from the propane gas supply lines" section of the Owner's Manual.</li> <li>- See your dealer or authorized Norcold Service Center.</li> </ul>
"no" "AC" Audible alarm also.	AC voltage is not available to the refrigerator.	Check: <ul style="list-style-type: none"> <li>- That the refrigerator is plugged into a serviceable outlet.</li> <li>- That the fuse or circuit breaker or the vehicle is intact.</li> <li>- That the vehicle generator is operational (if applicable).</li> <li>- See your dealer or authorized Norcold Service Center.</li> </ul>
"Lo" "dc"	The DC voltage to the refrigerator is low.	Check: <ul style="list-style-type: none"> <li>- That the battery charging equipment of the vehicle is operational.</li> <li>- That the AC/DC converter is operational (if applicable).</li> <li>- See your dealer or authorized Norcold Service Center.</li> </ul>
"Lo" "dc" Audible alarm also.	The DC voltage to the refrigerator is low.	Check: <ul style="list-style-type: none"> <li>- That the battery charging equipment of the vehicle is operational.</li> <li>- That the AC/DC converter is operational (if applicable).</li> <li>- See your dealer or authorized Norcold Service Center.</li> </ul>
"Sr" Audible alarm also.	This is a fault within the refrigerator controls.	Turn the refrigerator power OFF and then back on to reset. If the Fault Code continues, see your dealer or authorized Norcold Service Center.
Temperature setting flashes when TEMP SET or MODE button is pushed.	The refrigerator is operating on the Backup Operating System.	This is not owner serviceable. See your dealer or authorized Norcold Service Center.
"AC" "rE" Audible alarm also.	This is a fault within the refrigerator controls.	This is not owner serviceable. See your dealer or authorized Norcold Service Center.
"AC" "HE" Audible alarm also.	This is problem related to the AC heater.	This is not owner serviceable. See your dealer or authorized Norcold Service Center.
"oP" "LI" Audible alarm also.	A temperature limit switch is open.	This is not owner serviceable. See your dealer or authorized Norcold Service Center.
"FL" " _ " Audible alarm also.	A flame is present at the burner when there should be none.	This is not owner serviceable. See your dealer or authorized Norcold Service Center.





## Manuel d'installation pour la série 2118X de réfrigérateurs pour les véhicules de loisir

La lettre « X », dans les numéros de modèle ci-dessus, représente lettres ou un chiffres correspondant à une option de réfrigérateur.



Une faute d'installation, de réglage, de modification, de réparation ou d'entretien peut causer des préjudices corporels ou matériels. Se reporter à ce manuel. Pour obtenir de l'assistance ou des informations supplémentaires, s'adresser à un installateur qualifié, au service après-vente ou à la compagnie de gaz



### RISQUE D'INCENDIE OU D'EXPLOSION

Si vous sentez une odeur de gaz:

1. Ouvrez les fenêtres.
2. Éteignez toute flamme nue..
3. Ne pas toucher les interrupteurs électriques.
4. Éteignez toute flamme nue..
5. Coupez l'alimentation en combustible.
6. Évacuez immédiatement et appelez les services d'urgence

Ne pas suivre ces instructions peut provoquer un incendie ou une explosion, pouvant causer des dommages matériels, des blessures ou la mort.

### SÉCURITÉ PERSONNELLE

Ne pas conserver ni utiliser d'essence ou d'autres liquides inflammables, ou dont les vapeurs peuvent s'enflammer, à proximité de cet appareil ou de tout autre appareil électroménager.



NE PAS installer ce réfrigérateur sous le pont dans un bateau. Ne pas installer ce réfrigérateur dans une cabine fixe ou autre zone habitable intérieure. Pour fonctionner correctement et sans danger, ce réfrigérateur doit utiliser uniquement un système à prise d'air extérieur et à ventilation aspirante conçu et agréé par NORCOLD. Toute autre méthode de ventilation pourrait libérer des gaz d'échappement à combustion mortels et (ou) des fumées explosives de gaz propane dans la zone habitable et (ou) sous le pont.

**Français**

## Table des matières

---

Signalisation de la sécurité.....	2
Consignes relatives à la sécurité.....	3
Certification et codes à respecter.....	3
Consignes relatives à la ventilation.....	4
Dimensions importantes du réfrigérateur.....	5
Assemblage de l'enceinte destinée au réfrigérateur.....	5
Installation de la prise d'air inférieure.....	6
Installation de la bouche d'échappement supérieure du toit.....	7
Installation de déflecteurs pour une bouche d'échappement supérieure de toit.....	7
Enceintes verticales.....	7
Enceintes verticales décalées.....	9
Installation d'une bouche d'échappement supérieure de paroi latérale.....	10
Installation de déflecteurs pour une bouche d'échappement supérieure de paroi latérale.....	11
Installation de mur arrière.....	12
Installation des panneaux décoratifs de porte (modèles à portes non métalliques).....	12
Installation du réfrigérateur.....	13
Connexion des composants électriques.....	14
Raccordement de l'alimentation en courant alternatif 120V.....	15
Raccordement de l'alimentation en courant continu 12V.....	15
Raccordement de chauffage à basse température ambiante (option).....	16
Branchement des éléments du gaz propane.....	16
Rechercher les fuites dans le tuyau d'arrivée de gaz propane.....	16
Raccordement de la machine à glaçons.....	17
Branchement du tuyau d'arrivée d'eau.....	17
Allumage et mise en marche.....	18
Allumage et mise en route.....	18
Modes de fonctionnement.....	18
Vérification de la soupape de sûreté du gaz.....	19
Arrêt - tous modèles.....	19
Codes d'anomalie.....	20

## Signalisation de la sécurité

---

Lire soigneusement ce manuel et en assimiler le contenu avant d'installer le réfrigérateur.

Prendre conscience des risques pour la sécurité signalés par le symbole de mise en garde sur le réfrigérateur et dans ce manuel. Le symbole de mise en garde est suivi d'un terme précisant la nature du risque en question. Lire soigneusement la description de ces termes de signalement pour apprendre à les différencier. C'est une question de sécurité personnelle.



**Ce terme de signalement indique un danger qui, s'il n'est pas pris en compte, peut causer une blessure grave, la mort ou d'importants dégâts matériels.**



**Ce terme de signalement indique un danger qui, s'il n'est pas pris en compte, peut causer une blessure légère ou d'importants dégâts matériels.**

## Consignes relatives à la sécurité

---

### AVERTISSEMENT

- Ce réfrigérateur n'est pas destiné à servir de réfrigérateur amovible. Il est conçu pour fonctionner au gaz propane seulement et ne peut pas être modifié pour utiliser d'autres carburants (gaz naturel, butane, etc.).
- Une faute d'installation, de réglage, de modification ou d'entretien de ce réfrigérateur peut causer des préjudices corporels et (ou) matériels.
- Observer les consignes de ce manuel pour installer des bouches de ventilation (prise d'air et échappement).
- Ne pas installer le réfrigérateur à même une moquette ou un tapis. Le placer sur un panneau de métal ou de bois s'étendant au moins sur toute sa largeur et toute sa profondeur.
- Ne pas laisser quoi que ce soit toucher le système frigorifique du réfrigérateur.
- Le gaz propane est susceptible de s'enflammer et de causer une explosion et, par conséquent, des dégâts matériels et des blessures graves ou mortelles. Ne pas fumer ni faire d'étincelles. Ne pas se servir d'une flamme nue pour rechercher les fuites au tuyau d'arrivée de gaz propane. Toujours se servir de deux clés pour serrer ou desserrer les raccords du tuyau d'arrivée de gaz propane.
- S'assurer de la conformité de l'installation électrique à tous les codes applicables. Voir la section « Certification et codes à respecter ».
- Ne pas contourner ou modifier les composants ou fonctions électriques du réfrigérateur.
- Ne pas vaporiser de liquides près des prises électriques, des raccords ou des pièces du réfrigérateur. Nombre de liquides sont conducteurs et peuvent poser des risques de décharge électrique, de court-circuit, voire même d'incendie.
- Le système frigorifique du réfrigérateur est sous pression. Ne pas essayer de réparer ou recharger un système frigorifique défectueux.
- Le système frigorifique contient du chromate de sodium. L'inhalation de certains composés du chrome peut causer le cancer. Le système frigorifique contient des produits chimiques qui peuvent causer de graves brûlures à la peau et aux yeux, s'enflammer et brûler avec une flamme intense. Ne pas recourber, faire tomber, souder, déplacer, percer, perforer ou heurter le système frigorifique.

### ATTENTION

- L'arrière du réfrigérateur présente des arêtes vives et des angles coupants. Pour éviter de se couper ou de s'écorcher lors du travail sur le réfrigérateur, faire attention et porter des gants résistant aux coupures.
- S'assurer que le réfrigérateur est entreposé dans un endroit où il n'est pas exposé aux intempéries.

## Certification et codes à respecter

---

Ce réfrigérateur est homologué par la section International de l'ACNOR comme conforme à la dernière édition des normes ANSI Z21.19 / CSA 1.4 en ce qui concerne l'installation dans des caravanes résidentielles ou véhicules de loisir.

Pour que la garantie limitée NORCOLD puisse entrer en vigueur, l'installation doit être conforme à ces normes et au présent « Manuel d'installation ». L'installation doit respecter les éléments suivants, lorsqu'ils sont applicables :



Art01290



## Aux États-Unis et au Canada :

- Les codes locaux, ou, à défaut, le code National Fuel Gas Code, les normes ANSI Z223.1/NFPA 54, le code Natural Gas and Propane installation Code, la norme ACNOR B149.1, le code ANSI A119.2 Recreational Vehicles Code et les normes ACNOR Z240 RV Series, Recreational Vehicles.
- L'installation des maisons préfabriquées (caravanes résidentielles) doit se conformer à la norme Manufactured Home Construction and Safety Standard, titre 24 CFR, partie 3280 [anciennement dénommée Federal Standard for Mobile Home Construction and Safety, titre 24 (partie 280)], et à la norme à jour ACNOR Z240.4, Gas-equipped Recreational Vehicles and Mobile Housing.
- Si une source d'alimentation externe est employée, l'appareil électroménager doit, à son installation, faire l'objet d'une mise à la terre électrique conforme aux codes locaux ou, à défaut de tels codes, conforme au code National Electrical code et aux normes ANSI/NFPA 70, ou au Code canadien d'électricité, ACNOR C22.2. parties 1 et 2.

Tous les tuyaux et raccords d'arrivée de gaz propane doivent respecter les codes locaux, provinciaux et fédéraux s'appliquant à leurs types et dimensions. Ces éléments doivent également être conformes à la norme à jour NFPA 1192 section 2-4, et, au Canada, à la norme à jour CAN 1-6.10.

## Consignes relatives à la ventilation

---



### **AVERTISSEMENT** Conditions à satisfaire par l'installation :

- Il doit y avoir un apport d'air frais suffisant pour la combustion.
- L'espace de séjour doit être complètement isolé du système de combustion du réfrigérateur.
- Le conduit de fumée d'échappement doit bénéficier d'une ventilation totale et sans restriction car, en mode de fonctionnement au gaz, du monoxyde de carbone peut en sortir. L'inhalation de fumées contenant du monoxyde de carbone peut causer des vertiges, des nausées ou, dans les cas extrêmes, la mort.
- S'assurer de l'isolation complète du réfrigérateur par rapport à ses composants produisant de la chaleur en utilisant un jeu approprié de déflecteurs et de panneaux.

Une installation homologuée requiert une prise d'air inférieure et une bouche d'échappement supérieure. Installer la prise d'air et la bouche d'échappement exactement comme décrit dans ce manuel. Toute autre méthode d'installation annulerait à la fois l'homologation et la garantie d'usine du réfrigérateur.

Le bas de l'ouverture de la prise d'air inférieure, qui est aussi la porte d'accès de service, doit être de niveau avec le sol, ou juste en dessous. Ainsi, s'il y a fuite du gaz propane, il s'échappe à l'extérieur au lieu de s'accumuler au niveau du sol.

En vertu de l'homologation de la section International de l'ACNOR, il peut y avoir un dégagement nul sur les côtés, l'arrière, le haut et le bas du réfrigérateur. Alors qu'aucun dégagement maximum n'est spécifié par l'homologation, le réfrigérateur ne peut fonctionner correctement que si les dégagements maximum suivants sont respectés :

Bas	0 po min.	0 po max.
Chaque côté	0 po min.	1/2 po max.
Haut	0 po min.	1/4 po max.
Arrière	0 po min.	1 po max.

Ces dégagements ainsi que la prise d'air inférieure et la bouche d'échappement supérieure permettent l'écoulement d'air naturel requis pour une bonne réfrigération. De l'air plus froid entre par la prise d'air inférieure, monte en traversant les serpentins du réfrigérateur où il élimine l'excédent de chaleur des composants du réfrigérateur et il sort par la bouche d'échappement supérieure.

Le réfrigérateur a également ventilateurs contrôlés par thermostat pour déplacer l'air à travers le système frigorifique. Ces ventilateurs se mettent en marche quand la température des ailettes du condenseur au thermostat est d'environ 130 °F ou plus et seulement quand les commandes du réfrigérateur sont activées. Ces ventilateurs s'arrêtent quand la température des ailettes du condenseur au thermostat est d'environ 115 °F ou moins. Même avec ces ventilateurs, si le flux d'air est obstrué ou restreint, le réfrigérateur ne fera pas son travail comme il faut.

Le système de ventilation de chaque modèle NORCOLD est homologué par la section International de l'ACNOR. Installer uniquement les bouches de ventilation homologuées qui sont spécifiées dans ce manuel.

## Dimensions importantes du réfrigérateur

Ces dimensions importantes du réfrigérateur sont données à titre de référence en cas de besoin (voir Art02477).

Largeur de la caisse du réfrigérateur sans garniture:  
35,6 po .....1

Largeur totale du réfrigérateur avec garniture:  
37,3 po .....2

Distance entre la caisse du réfrigérateur et la garniture latérale:  
0,90 po .....3

Hauteur de la caisse du réfrigérateur sans garniture:  
68,6 po .....4

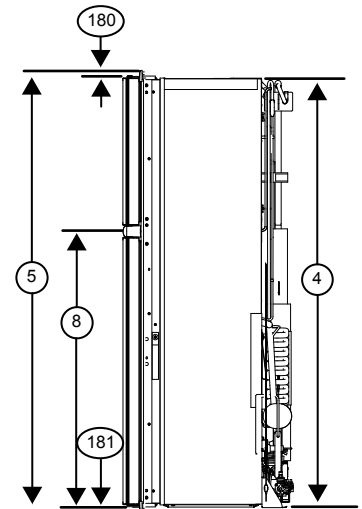
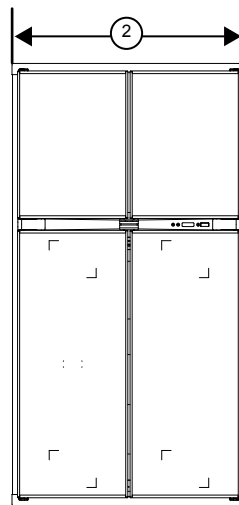
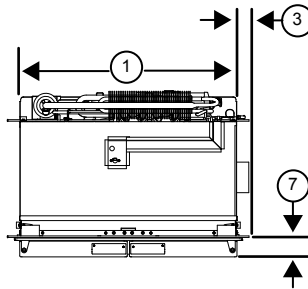
Hauteur totale du réfrigérateur avec garniture:  
70,6 po .....5

Distance entre la caisse du réfrigérateur et la garniture supérieure:  
1,20 po .....180

Distance entre le rail inférieur du réfrigérateur et la garniture inférieure:  
0,80 po .....181

Distance entre la paroi de l'enceinte et le devant des portes:  
3,2 po .....7

Distance entre le rail inférieur du réfrigérateur et le centre des poignées:  
44,1 po .....8



Art 02477

## Assemblage de l'enceinte destinée au réfrigérateur

- Vérifier que l'étagère de l'enceinte est solide et horizontale. Conditions à satisfaire par l'étagère de l'enceinte :
  - Il doit s'agir d'un panneau métallique ou de bois s'étendant au moins sur toute la largeur et toute la profondeur de l'enceinte.
  - elle doit pouvoir supporter le poids du réfrigérateur et de son contenu.
  - elle doit être de niveau pour maintenir l'alignement de la porte.
- S'assurer qu'il n'y a pas de sources de chaleur adjacentes, telles que bouches de ventilation de chauffage ou de chauffe-eau.

3. Veiller à ce que l'enceinte mesure de 68,94 à 69,06 po de hauteur x 35,94 à 36,04 po de largeur x 24,00 à 24,13 po de profondeur.

**AVIS** Mesurer la profondeur de l'enceinte [174] depuis la face intérieure de l'enceinte à l'intérieur de la paroi arrière (voir art02478).

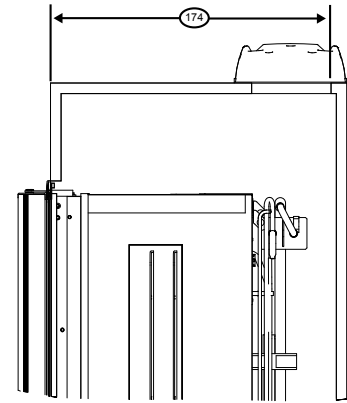
4. S'il y a plus de 1/2 po entre un côté du réfrigérateur et l'intérieur de l'enceinte :

- Remplir l'espace d'isolant (en natte) en fibre de verre ou ajouter un déflecteur pour éliminer le dégagement.
  - L'arrière de l'isolant en natte doit être entre 18 et 19 po de la face de l'enceinte.
  - Bien fixer l'isolant en natte à l'enceinte de façon à ce qu'il reste dans cette position durant l'installation du réfrigérateur, s'il devient mouillé et s'il y a du vent.

5. La face avant de l'enceinte doit être perpendiculaire à l'étagère pour créer un joint de combustion.

6. L'ouverture de la découpe doit être carrée et perpendiculaire à l'étagère de l'enceinte pour maintenir l'alignement de la porte.

7. En se servant du tableau suivant, décider des tailles de bouches de ventilation et de coupes (D) à utiliser :



Art 02478

Bouche de ventilation homologuée	Réf.	Hauteur D	Largeur D
Came d'échappement supérieure du toit	622293	S/O	S/O
	625240	S/O	S/O
Bouche d'échappement supérieure du toit	616319	24 po	5 1/4 po
	625161	24 po	5 1/4 po
Bouche d'échappement supérieure en basse consommation en plastique	637318	13 3/4 +1/8-0 po	29 7/16 + 1/8 -0 po

**AVIS** Le vent de côté RO doit être carré. Les mesures diagonales du RO doivent être à moins de 1/16 po. L'évent doit être centré sur la largeur du RO.

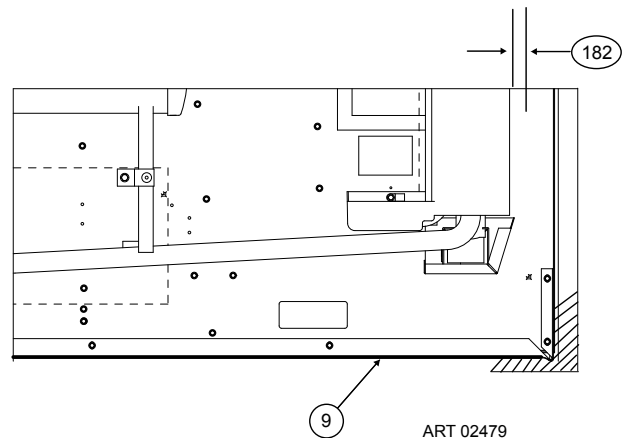
## Installation de la prise d'air inférieure

Poser la prise d'air inférieure (voir Art02479) :

**AVIS** La prise d'air inférieure sert également d'ouverture d'accès aux composants à l'arrière du réfrigérateur.

**AVERTISSEMENT** Veiller à ce que le bas de l'ouverture de la prise d'air inférieure soit de niveau avec le sol, ou juste en dessous. Ainsi, s'il y a fuite du gaz propane, il s'échappe à l'extérieur au lieu de s'accumuler au niveau du sol.

- Veiller à ce que le bas de l'ouverture de la prise d'air inférieure [9] soit de niveau avec le sol, ou juste en dessous.
- Veiller à ce que l'ouverture de la prise d'air inférieure se trouve de 1/2 po à 1 po [182] du côté brûleur de l'enceinte du réfrigérateur.



ART 02479

## Installation d'une bouche d'échappement supérieure de toit

1. Installer la bouche d'échappement supérieure du toit.



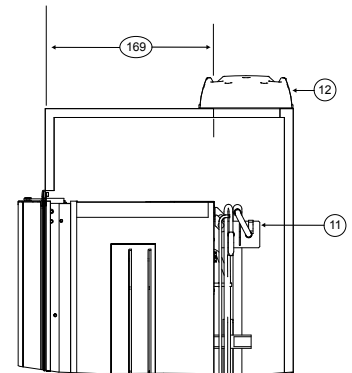
**S'assurer de l'absence de sciure, de matériau d'isolation ou d'autres débris de construction sur le réfrigérateur ou dans l'enceinte. Les débris peuvent poser un danger de combustion et empêcher le fonctionnement correct du réfrigérateur.**



*Serrer les vis de la came d'échappement supérieur du toit à 10 lb-po max. S'assurer également que l'écoulement d'air autour de la came d'échappement supérieure du toit n'est pas partiellement ou totalement restreint par d'autres articles montés sur le toit tels que porte-bagages, climatiseur, panneau solaire, etc.*

2. Aligner la bouche d'échappement supérieure du toit au-dessus de la prise d'air inférieure :

3. Déterminer le type de l'enceinte dans un véhicule utilisant une bouche d'échappement supérieure de toit (voir Art02480) :



Art 02480

- Si la distance depuis la face de l'enceinte au bord intérieur de l'ouverture [169] de la bouche d'échappement du toit est supérieure à 17 1/2 po, installer la bouche d'échappement du toit [12] directement au-dessus du condenseur [11] du réfrigérateur comme pour une enceinte verticale.

- Si la distance depuis la face de l'enceinte au bord intérieur de l'ouverture [169] de la bouche d'échappement du toit est inférieure ou égale à 17 1/2 po, installer la bouche d'échappement du toit [12] vers l'intérieur par rapport au condenseur [11] du réfrigérateur comme pour une enceinte verticale décalée.

## Installation de déflecteurs pour une bouche d'échappement supérieure de toit



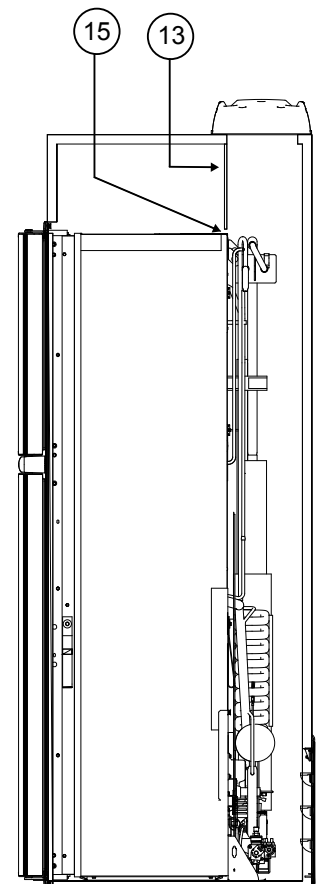
**Veiller à ce que tous les déflecteurs horizontaux fassent toute la largeur de l'intérieur de l'enceinte et soient au bon endroit. Si ce n'est pas le cas, on risque d'obtenir un mauvais refroidissement.**

### Enceintes verticales :

Si la profondeur de l'enceinte est supérieure ou égale à 24 po et inférieure à 25 po (voir Art02481) :

- Poser un déflecteur supérieur [13].

- Veiller à ce qu'il y ait un dégagement de moins de 1/4 po [15] entre le déflecteur et le haut du réfrigérateur.

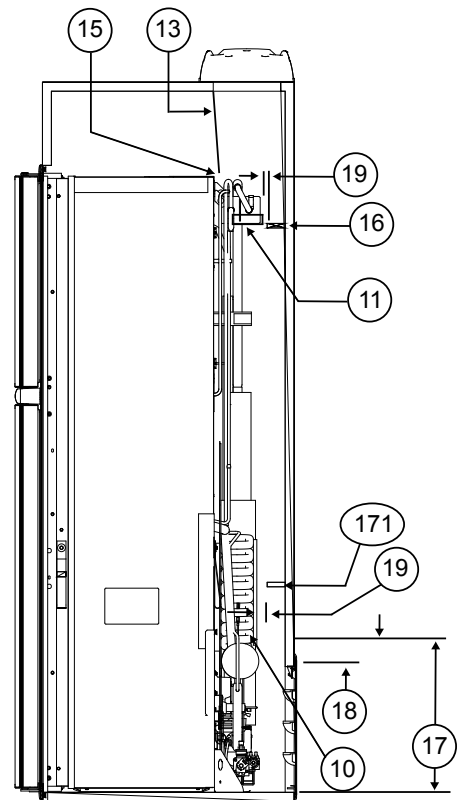


Si la profondeur de l'enceinte est supérieure ou égale à 25 po et inférieure à 26 po (voir Art02482) :

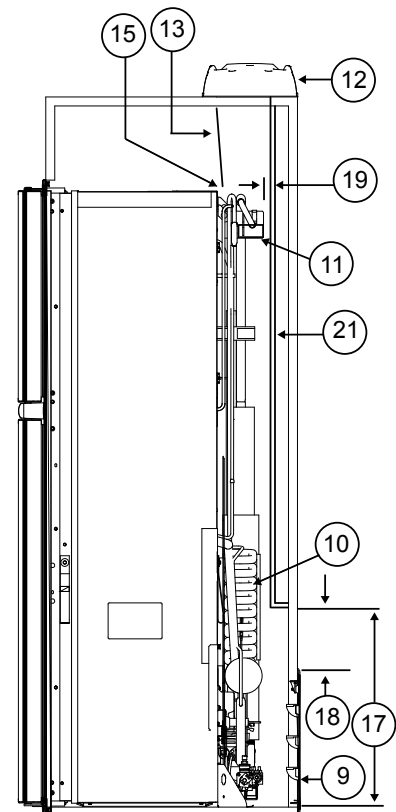
- Poser un déflecteur supérieur [13].
  - Veiller à ce qu'il y ait moins de 1/4 po [15] entre le déflecteur supérieur et le haut du réfrigérateur.
- Poser un déflecteur de condenseur [16] au bord le plus bas du condenseur du réfrigérateur.
  - Veiller à ce qu'il y ait au plus 1 po [19] entre le déflecteur du condenseur et le condenseur.
- Poser un déflecteur absorbant [171] entre 21 po et 21 1/2 po au-dessus du bas de l'enceinte [17] (7 1/4 po à 7 3/4 po au-dessus du haut de l'ouverture de la prise d'air inférieure) [18].
  - Veiller à ce qu'il y ait au plus 1 po [19] entre le déflecteur absorbant et l'absorbant.

Si la profondeur de l'enceinte est supérieure ou égale à 26 po (voir Art02483) :

- Poser un déflecteur supérieur [13].
  - Veiller à ce qu'il y ait moins de 1/4 po [15] entre le déflecteur supérieur et le haut du réfrigérateur.
- Installer un déflecteur en forme de boîte pleine en bois ou en tôle d'aluminium ou galvanisée [21] à l'arrière de l'enceinte.
  - S'assurer que le bas du déflecteur en forme de boîte pleine se trouve entre 18 po et 18 1/2 po au-dessus du bas de l'enceinte [17] (4 1/4 po à 4 3/4 po au-dessus du haut de l'ouverture de la prise d'air inférieure) [18].
  - Veiller à ce que l'arrière du déflecteur en forme de boîte pleine soit perpendiculaire au bas de l'enceinte.
  - Veiller à ce que l'arrière du déflecteur en forme de boîte pleine soit contre le haut de l'enceinte.
    - Veiller à ce que le déflecteur en forme de boîte pleine soit à 1 po ou moins [19] des serpentins [10] et du condenseur [11] du réfrigérateur.
    - Veiller à ce que le déflecteur en forme de boîte pleine fasse toute la largeur de l'intérieur de l'enceinte.



Art 02482



Art 02483

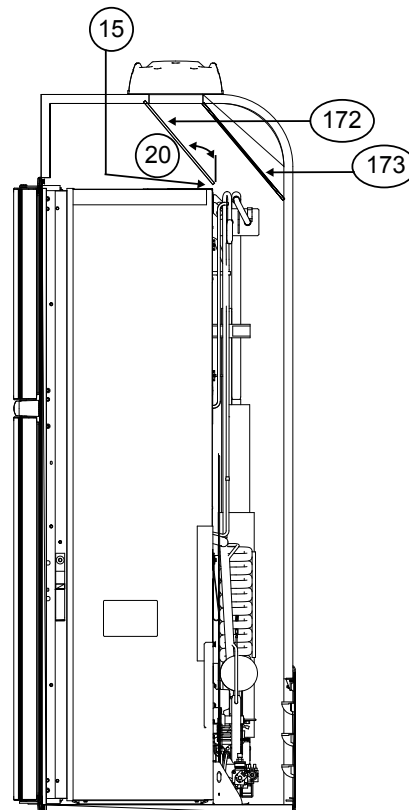
## Enceintes verticales décalées :

Si la profondeur de l'enceinte est supérieure ou égale à 24 po et inférieure à 25 po (voir Art02484) :

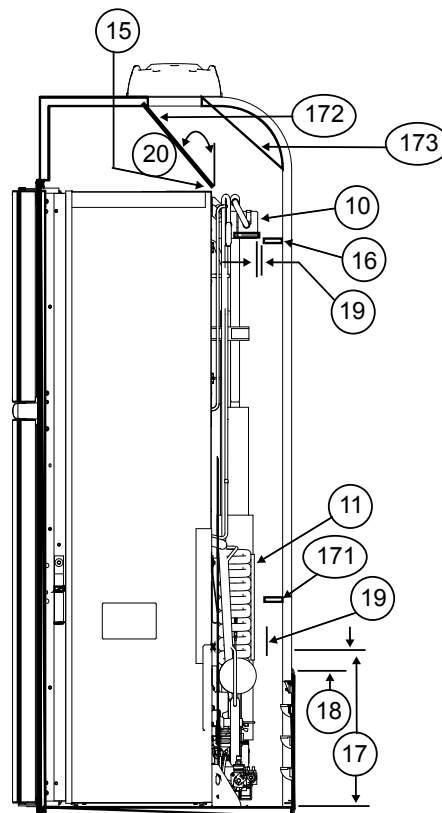
- Poser un déflecteur incliné supérieur [172] entre le bord supérieur arrière du réfrigérateur et le bord intérieur de l'ouverture de la bouche d'échappement supérieure.
  - Veiller à ce qu'il y ait moins de 1/4 po [15] entre le déflecteur incliné supérieur et le haut du réfrigérateur.
  - S'assurer que le déflecteur incliné supérieur n'est pas à plus de 45° de la verticale [20].
- Poser un déflecteur d'angle intérieur [173] entre le bord extérieur de l'ouverture de la bouche d'échappement supérieure et la paroi latérale du véhicule.
  - S'assurer que le déflecteur d'angle intérieur est à peu près parallèle au déflecteur incliné supérieur.

Si la profondeur de l'enceinte est supérieure ou égale à 25 po et inférieure à 26 po (voir Art02485) :

- Poser un déflecteur incliné supérieur [172] entre le bord supérieur arrière du réfrigérateur et le bord intérieur de l'ouverture de la bouche d'échappement supérieure.
  - Veiller à ce qu'il y ait moins de 1/4 po [15] entre le déflecteur incliné supérieur et le haut du réfrigérateur.
  - S'assurer que le déflecteur incliné supérieur n'est pas à plus de 45° de la verticale [20].
- Poser un déflecteur d'angle intérieur [173] entre le bord extérieur de l'ouverture de la bouche d'échappement supérieure et la paroi latérale du véhicule.
  - S'assurer que le déflecteur d'angle intérieur est à peu près parallèle au déflecteur incliné supérieur.
- Poser un déflecteur de condenseur [16] au bord le plus bas du condenseur du réfrigérateur.
  - Veiller à ce qu'il y ait au plus 1 po [19] entre le déflecteur du condenseur et le condenseur.
- Poser un déflecteur absorbeur [171] entre 21 po et 21 1/2 po au-dessus du bas de l'enceinte [17] (7 1/4 po à 7 3/4 po au-dessus du haut de l'ouverture de la prise d'air inférieure) [18].
  - Veiller à ce qu'il y ait au plus 1 po [19] entre le déflecteur absorbeur et l'absorbeur.



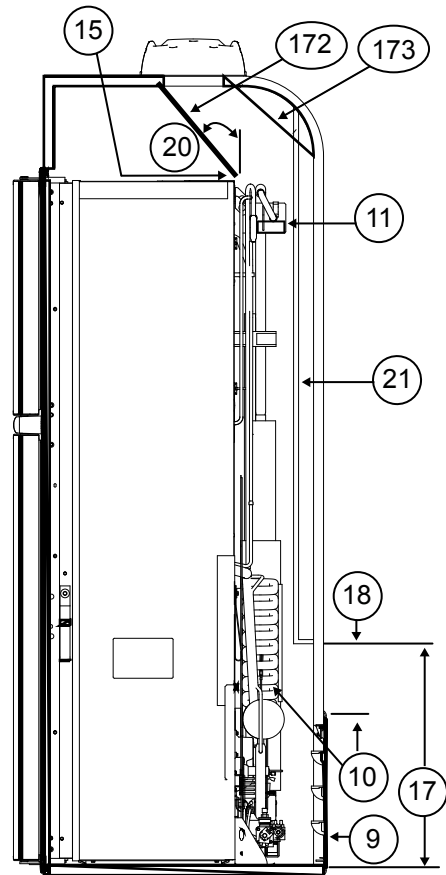
Art 02484



Art 02485

Si la profondeur de l'enceinte est supérieure ou égale à 26 po (voir Art02486) :

- Poser un déflecteur incliné supérieur [172] entre le bord supérieur arrière du réfrigérateur et le bord intérieur de l'ouverture de la bouche d'échappement supérieure.
- Veiller à ce qu'il y ait moins de 1/4 po entre le déflecteur incliné supérieur et le haut du réfrigérateur.
- S'assurer que le déflecteur incliné supérieur n'est pas à plus de 45° de la verticale [20].
- Poser un déflecteur d'angle intérieur [173] entre le bord extérieur de l'ouverture de la bouche d'échappement supérieure et le déflecteur en forme de boîte pleine.
- S'assurer que le déflecteur d'angle intérieur est à peu près parallèle au déflecteur incliné supérieur.
- Installer un déflecteur en forme de boîte pleine en bois ou en tôle d'aluminium ou galvanisée [21] à l'arrière de l'enceinte.
- S'assurer que le bas du déflecteur en forme de boîte pleine se trouve entre 21 po et 21 1/2 po au-dessus du bas de l'enceinte [17] (7 1/4 po à 7 3/4 po au-dessus du haut de l'ouverture de la prise d'air inférieure) [18].
- Veiller à ce que l'arrière du déflecteur en forme de boîte pleine soit perpendiculaire au bas de l'enceinte.
- Veiller à ce que l'arrière du déflecteur en forme de boîte pleine se trouve soit contre le haut de l'enceinte soit contre le déflecteur d'angle intérieur [173] (selon la conception du véhicule).
- Veiller à ce que le déflecteur en forme de boîte pleine soit à 1 po ou moins des serpentins [10] et du condenseur [11] du réfrigérateur.
- Veiller à ce que le déflecteur en forme de boîte pleine fasse toute la largeur de l'intérieur de l'enceinte.



Art 02486

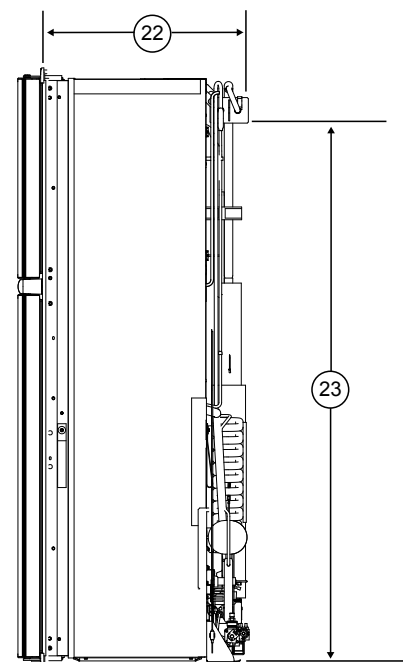
## Installation d'une bouche d'échappement supérieure de paroi latérale

Si la conception du véhicule empêche l'installation d'une bouche d'échappement de toit, installer une bouche d'échappement supérieure de paroi latérale :

**AVIS**

Le réfrigérateur mesure entre 23,75 po min. et 24,05 po max. depuis l'arrière du disjoncteur jusqu'à l'arrière du condenseur [22] et entre 61,35 po min. et 61,65 po max. du bas du réfrigérateur jusqu'au bas du condenseur du réfrigérateur [23] (voir Art02487).

- Installer la bouche d'échappement supérieure de paroi latérale [24] de façon à ce que la distance [25] entre le bas de l'enceinte et le haut de la découpe pour la bouche d'échappement supérieure soit d'au moins 71,0 po (voir Art02487 et Art02488).
- Aligner la bouche d'échappement supérieure à l'horizontale au-dessus de la prise d'air inférieure [9].



Art 02487

## Installation de déflecteurs pour une bouche d'échappement supérieure de paroi latérale



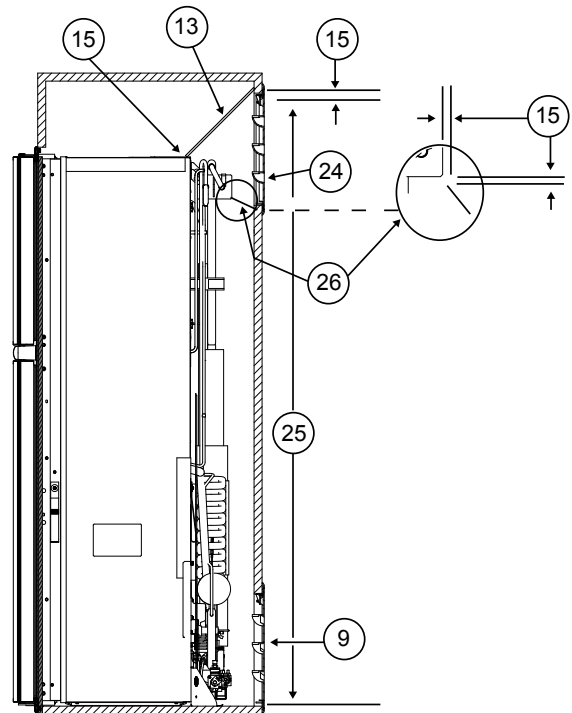
**Veiller à ce que tous les déflecteurs horizontaux fassent toute la largeur de l'intérieur de l'enceinte et soient au bon endroit. Si ce n'est pas le cas, on risque d'obtenir un mauvais refroidissement.**

Si la profondeur de l'enceinte est supérieure ou égale à 24 po et inférieure à 26 po (voir Art02488) :

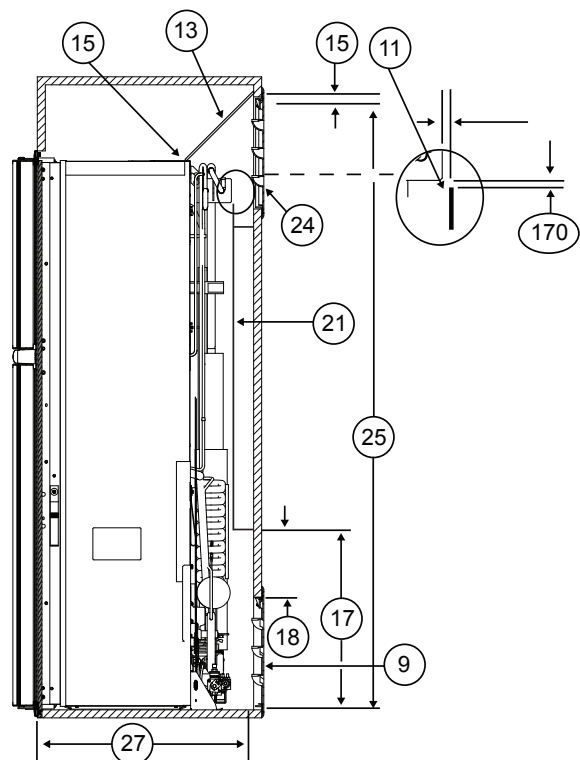
- Poser un déflecteur supérieur en bois ou en tôle d'aluminium ou d'acier galvanisé [13] entre le haut du réfrigérateur et le haut de la bouche d'échappement supérieure [24].
  - Veiller à ce qu'il y ait un dégagement de moins de 1/4 po [15] entre le déflecteur supérieur et le haut du réfrigérateur et que le déflecteur chevauche le réfrigérateur de 1 po ou moins.
  - S'assurer que le déflecteur se trouve contre la paroi du véhicule en haut de la bouche d'échappement supérieure et à moins de 1/4 po au-dessus de l'ouverture de la bouche d'échappement supérieure.
- Installer un déflecteur de condenseur en tôle cintrée d'aluminium ou d'acier galvanisé [26].
  - Veiller à ce que la courbure du déflecteur de condenseur fasse toute la largeur de l'intérieur de l'enceinte.
  - S'assurer que la courbure du déflecteur de condenseur affleure le bord inférieur du cadre de la porte de la bouche d'échappement supérieure de paroi latérale.
  - S'assurer que le bord supérieur du déflecteur de condenseur se trouve à 1/4 po ou moins [15] du coin inférieur arrière du condenseur.

Si la profondeur de l'enceinte est supérieure ou égale à 26 po (voir Art02489) :

- Poser un déflecteur supérieur en bois ou en tôle d'aluminium ou d'acier galvanisé [13] entre le haut du réfrigérateur et le haut de la bouche d'échappement supérieure [24].
  - Veiller à ce qu'il y ait un dégagement de moins de 1/4 po [15] entre le déflecteur supérieur et le haut du réfrigérateur et que le déflecteur chevauche le réfrigérateur de 1 po ou moins.
  - S'assurer que le déflecteur se trouve contre la paroi du véhicule en haut de la bouche d'échappement supérieure et à moins de 1/4 po [15] au-dessus de l'ouverture de la bouche d'échappement supérieure.
- Installer un déflecteur en forme de boîte pleine [21] entre la prise d'air inférieure et la bouche d'échappement supérieure.
  - Fabriquer le déflecteur en forme de boîte pleine en bois ou en tôle d'aluminium ou d'acier galvanisé.
  - S'assurer que le bas du déflecteur en forme de boîte pleine se trouve entre 21 po et 21 1/2 po au-dessus du bas de l'enceinte [17] (7 1/4 po à 7 3/4 po au-dessus du haut de l'ouverture de la prise d'air inférieure RÉF) [18].
  - Veiller à ce que l'arrière du déflecteur en forme de boîte pleine soit perpendiculaire au bas de l'enceinte.



Art 02488



Art 02489



- S'assurer que la partie supérieure horizontale du déflecteur en forme de boîte pleine affleure le bord inférieur de la bouche d'échappement supérieure [24].
- Assurez-vous que le bord supérieur horizontal de la perplexité est de 1/2 pouce [170] ou moins en dessous et 1/4 pouce ou moins derrière le coin inférieur arrière du condenseur [11].

## Installation de mur arrière

Pour les installations murales arrière s'il vous plaît se référer à des instructions spéciales 620918 pour les instructions supplémentaires requises.

## Installation des panneaux décoratifs de porte (modèles à portes non métalliques)

**AVIS**

*Les portes sont conçues pour accepter des panneaux décoratifs. Les panneaux décoratifs doivent être d'une épaisseur maximum de 3/16 po. Installer les panneaux décoratifs de porte sur les portes du réfrigérateur, avant d'installer le réfrigérateur dans le véhicule.*

1. Faire deux panneaux de porte supérieurs de 17 1/4 po de largeur et 23 1/8 po de hauteur :

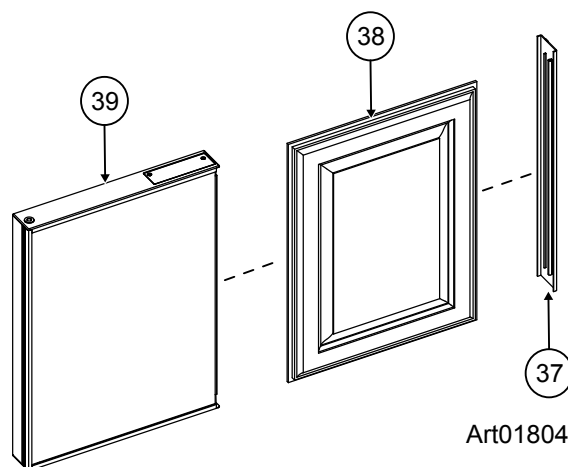
- Les panneaux en relief doivent être centrés sur chaque porte et leurs dimensions ne doivent pas dépasser 16 1/2 po de largeur et 22 3/8 po de hauteur.

2. Faire deux panneaux de porte inférieurs de 17 1/4 po de largeur et 42 5/16 po de hauteur :

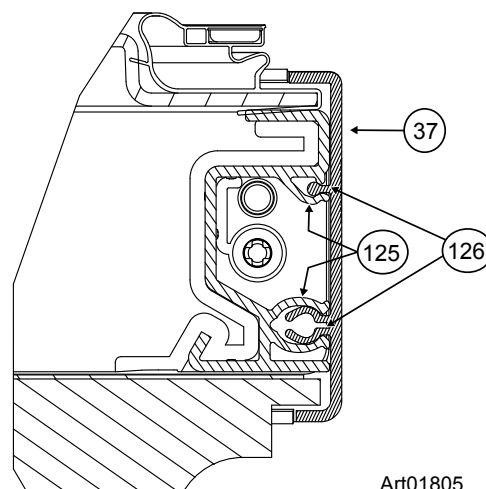
- Les panneaux en relief doivent être centrés sur chaque porte et leurs dimensions ne doivent pas dépasser 16 1/2 po de largeur et 41 9/16 po de hauteur.

3. Installer les panneaux décoratifs de porte :

- Tirer sur le dispositif de retenue [37] du panneau pour le séparer de chaque porte [39] (voir Art01804).
- Pousser un panneau décoratif de porte [38] dans les fentes de chaque porte.



- S'assurer que chaque dispositif de retenue du panneau est positionné correctement et pousser les attaches incurvées [125] du dispositif de retenue du panneau [37] à l'intérieur des attaches incurvées [126] de la porte (voir Art01805).



Art01805

## Installation du réfrigérateur

La meilleure méthode pour manutentionner manuellement (à la main) ou mécaniquement (avec un palan, un chariot élévateur, etc.) un réfrigérateur qui n'est pas installé dans une enceinte est de le faire quand le réfrigérateur est dans son emballage d'origine.

Si le réfrigérateur n'est pas dans son emballage d'origine, utiliser les sangles de manutention [183] de sa caisse comme points porteurs primaires (voir Art02490). Il y a deux (2) sangles de manutention sur les côtés droit et gauche de la caisse du réfrigérateur.

Ces sangles de manutention peuvent être utilisées pour soulever, déplacer et incliner le réfrigérateur. Norcold recommande que toute opération visant à soulever, déplacer et incliner le réfrigérateur soit toujours effectuée par au moins 2 personnes.



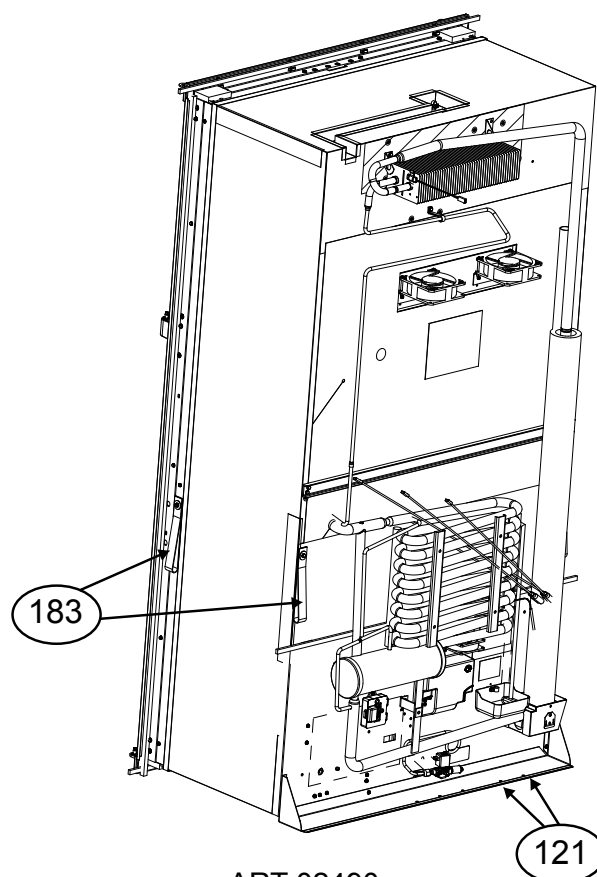
**Se servir uniquement des sangles de manutention pour soulever, déplacer et incliner le réfrigérateur. L'utilisation de toute autre partie du réfrigérateur pour le soulever, le déplacer ou l'incliner risque d'endommager le réfrigérateur.**

1. Retrait du bloc de support d'emballage (voir Art01850) :

- Ouvrir les deux portes inférieures du réfrigérateur.
- Retirer et jeter les deux vis [41] de l'avant de la bride de montage inférieure du réfrigérateur.
- Incliner le réfrigérateur vers l'arrière juste assez pour retirer le bloc de support d'emballage en bois [209] derrière la bride de montage inférieure.
- Fermer les portes.

2. Mettre le réfrigérateur complètement dans l'enceinte :

- Pousser en dessous du centre du réfrigérateur.



ART 02490

- Tirer en utilisant un outil en fil métallique accroché dans les trous de montage [121] du châssis du réfrigérateur (voir Art02490).

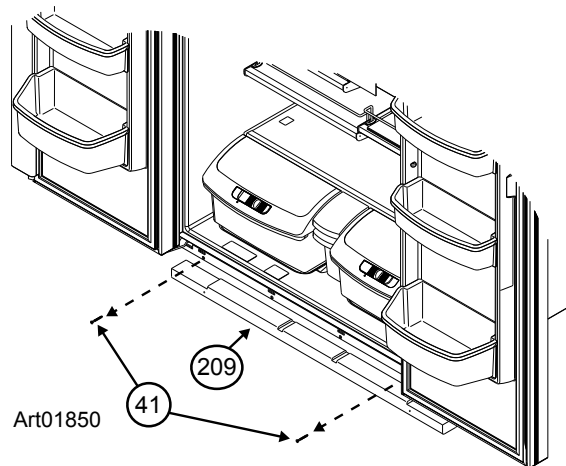
3. Positionner le réfrigérateur :



**S'assurer que le joint de combustion n'est pas rompu, qu'il entoure complètement les brides de montage du réfrigérateur et qu'il sépare ces brides de la paroi de l'enceinte. Si le joint est interrompu, des gaz d'échappement peuvent s'infiltrer dans l'habitacle du véhicule. L'inhalation de gaz d'échappement peut causer des vertiges, des nausées ou, dans les cas extrêmes, la mort.**

**AVIS**

*Faire attention lors du positionnement du réfrigérateur. Il n'est pas nécessaire de retirer l'emballage protecteur des portes des modèles à portes métalliques pour installer ou utiliser le réfrigérateur.*



- Veiller à ce que le capuchon du conduit de fumée ne soit pas enfoncé contre le haut du tube de ce conduit.
- Faire entrer complètement le réfrigérateur dans l'enceinte.

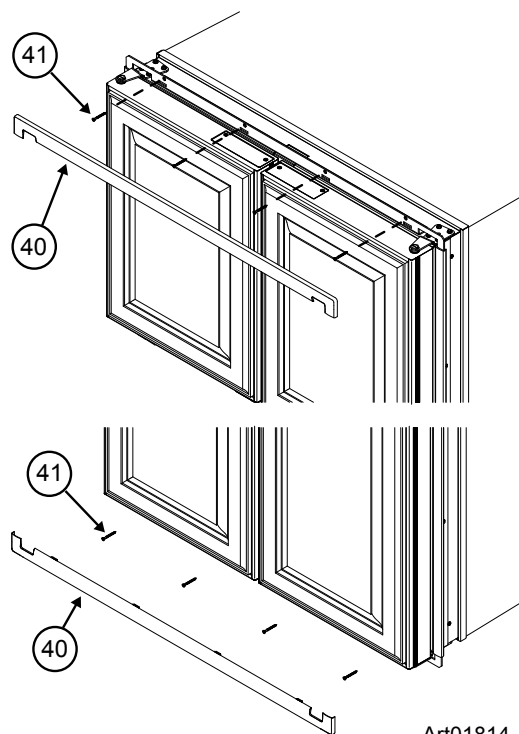
4. Poser les vis de montage et la garniture (voir Art01814) :

- Insérer les quatre vis [41] à travers les brides de montage supérieure et inférieure à l'avant du réfrigérateur et dans la paroi de l'enceinte.
- Pousser les garnitures [40] pour les introduire sur l'avant du réfrigérateur.
- Insérer des vis à travers la bride de montage à l'arrière du réfrigérateur et dans le plancher.

5. Sur les modèles à portes métalliques seulement, on peut retirer l'emballage protecteur des portes.

**AVIS**

*Veiller à ne pas érafler ou bosseler les portes métalliques. Ne pas se servir de produits de nettoyage abrasifs, de produits chimiques ou de tampons à récurer car ils risquent d'endommager la fini des portes.*



Art01814

## Connexion des composants électriques

Fonctionnement sur C.A.

Tension 120 V c.a.

(132V maxi - 108V mini)

Fonctionnement sur C.C.

Tension de commande 12 V c.c.

(15,4 V maxi - 10,5 V mini)

Le réfrigérateur utilise ces sources d'alimentation. L'utilisation de sources hors des limites indiquées peut endommager les circuits électriques du réfrigérateur et rendre la garantie nulle et non avenue.



Brancher le(s) cordon(s) d'alimentation c.a. uniquement dans une prise à trois lames avec masse. Ne pas retirer le contact de terre rond des cordons d'alimentation c.a. Ne pas utiliser un adaptateur à deux lames ou une rallonge avec les cordons d'alimentation c.a. L'utilisation du réfrigérateur sans masse appropriée peut causer des chocs électriques dangereux ou la mort en cas de contact avec les parties métalliques du réfrigérateur.

### Raccordement de l'alimentation en courant alternatif 120V :



Brancher le cordon d'alimentation C.A. dans une prise triphasée avec mise à la terre uniquement. Ne pas enlever la broche ronde de mise à la terre de l'un ou de l'autre des cordons d'alimentation. Ne pas utiliser d'adaptateur à deux broches ni de rallonge électrique avec l'un ou l'autre des cordons d'alimentation en courant alternatif. L'utilisation d'un réfrigérateur incorrectement mis à la terre peut causer un choc électrique, voire la mort lorsqu'on touche les parties métalliques de l'appareil.

Brancher le(s) cordon(s) d'alimentation C.A. dans une prise triphasée avec mise à la terre :

- S'assurer que la prise est d'un accès facile à partir de la prise d'air inférieure.
- S'assurer que le(s) cordon(s) d'alimentation n'entre(nt) pas en contact avec le couvercle du brûleur, le conduit de sortie des fumées, ou tout autre élément chaud qui pourrait endommager la gaine isolante du cordon.

### Raccordement de l'alimentation en courant continu 12V :

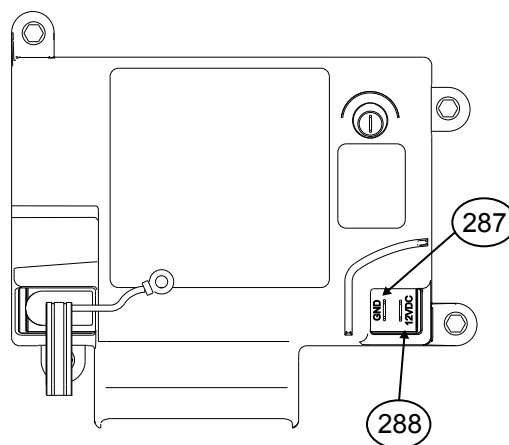
Le calibre du fil et du fusible à utiliser augmentent avec la distance entre la batterie du véhicule et le réfrigérateur. Une chute de tension se produira si la section du fil est trop faible pour la distance. La chute de tension diminue le rendement du système de chauffage et affecte donc la capacité de refroidissement du réfrigérateur.

1. Déterminer la section minimale du fil et le calibre maximal du fusible à utiliser :



L'utilisation d'un fil et/ou d'un fusible de calibre incorrect peut déclencher un feu électrique.

- Pour les réfrigérateurs à double alimentation, utiliser un fil de calibre 18 AWG minimum et un fusible de 6A maximum.
  - Pour les réfrigérateurs à triple alimentation, mesurer la distance entre la batterie du véhicule et le réfrigérateur.
  - Si le calibre du fil est supérieur au minimum, choisir le fusible approprié suivant la norme RVIA A 119-2 ou les codes locaux applicables.
2. Installer un fusible sur les fils d'alimentation en courant continu entre la batterie et le réfrigérateur :
- Placer le fusible le plus près possible de la batterie.
3. Connecter les fils d'alimentation en courant continu (se reporter à See Art02402):
- Fixer une borne à raccordement rapide de ¼ pouce à chaque fil d'alimentation en courant continu.
  - Connecter le fil d'alimentation positif à la borne du panneau identifiée 12 VDC [288].
  - Connecter le fil de mise à la terre à la borne du panneau identifiée GND [287].
  - S'assurer que chaque fil d'alimentation en courant continu est raccordé à la borne avec la polarité correcte.



Art02402

## Raccordement de chauffage à basse température ambiante

---

Connectez les fils de chauffage ambiant faible à l'alimentation en courant continu de 12 volts. Le fil noir (+) du chauffage ambiant faible se connecte à 12V et le fil marron se connecte à la terre de 12V.

**AVIS**

*Ce kit alimente le chauffage en tension c.c. chaque fois que la température ambiante est suffisamment basse. Un entreposage prolongé par temps froid décharge les batteries du véhicule. Pour éviter la décharge des batteries, débrancher le fusible 3 A du chauffage à basse température ambiante.*

## Branchement des éléments du gaz propane

---

Ce réfrigérateur fonctionne au gaz propane à une pression de 11 po de colonne d'eau.

Les commandes fonctionnent sur un courant de 12 volts c.c. (10,5 volts min. à 15,4 volts max.). Le fonctionnement en dehors de ces limites peut endommager les composants du circuit électrique du réfrigérateur et annulera la garantie.

### Raccordement du système d'alimentation en gaz propane :



**Faire preuve de grande prudence lors de l'intervention sur le système de gaz propane ou du travail à proximité.**

- **Ne pas fumer ni utiliser une flamme nue à proximité du système de gaz propane.**
- **Ne pas se servir d'une flamme nue pour rechercher les fuites.**
- **Ne pas brancher le réfrigérateur à la bouteille de gaz propane en l'absence d'un manodétendeur entre les deux.**
- **Pour éviter une fuite de gaz propane, toujours se servir de deux clés pour serrer ou desserrer les raccords du tuyau d'arrivée de gaz propane.**
- **Le gaz propane qui s'échappe risque de s'enflammer ou d'exploser, d'où risque de blessures graves ou mortelles.**

Brancher le tuyau d'arrivée de gaz au réfrigérateur :

- S'assurer que tous les tuyaux et raccords respectent les codes locaux, provinciaux et fédéraux s'appliquant à leurs types et dimensions.
- S'assurer que tous les raccords métalliques souples sont conformes à la Norme actuelle CAN1-6.10.
- S'assurer que les matériaux utilisés pour le tuyau d'arrivée de gaz respectent à la fois les normes actuelles ANSI A 119.2 (NFPA 1192) et ACNOR Z240 pour les véhicules de loisir. Norcold recommande l'utilisation d'un tube en cuivre de 3/8 po comme tuyau d'arrivée de gaz et requiert un raccord mâle conique de 3/8 po SAE (UNF 5/8-18) comme connexion avec le réfrigérateur.
- Faire remonter le tuyau d'arrivée de gaz propane par le plancher de l'enceinte.
- Veiller à ce que le trou à travers le plancher soit suffisamment grand pour permettre un dégagement suffisant pour le tuyau d'arrivée de gaz.
- Placer un joint résistant aux intempéries (oeillet, matériau d'étanchéité, etc.) autour du tuyau d'arrivée de gaz là où il traverse le plancher, afin d'éviter toute vibration et abrasion.
- Pour éviter les vibrations et le frottement, veiller à ce que le tuyau d'arrivée de gaz ne touche rien dans l'enceinte.
- Brancher le tuyau d'arrivée de gaz au raccord du réfrigérateur.

## Rechercher les fuites dans le tuyau d'arrivée de gaz propane :



**Ne pas laisser la solution de détection des fuites entrer en contact avec les composants électriques. Nombre de liquides sont conducteurs et peuvent poser des risques de court-circuit, voire même d'incendie.**

Employer une solution de détection des fuites pour vérifier l'étanchéité du tuyau d'arrivée de gaz et de tous les raccords de gaz propane.

Si vous utilisez de l'air comprimé pour le test :

- La pression de l'air comprimé au niveau du robinet d'arrêt manuel du réfrigérateur ne doit pas dépasser 1/2 psig (colonne d'eau de 14 po).
- Si la pression de l'air comprimé est supérieure à 1/2 psig (colonne d'eau de 14 po), retirer le tuyau d'arrivée de gaz du raccord du réfrigérateur avant le test.
- Si la pression de l'air comprimé est égale ou inférieure à 1/2 psig (colonne d'eau de 14 po), fermer le robinet d'arrêt manuel du réfrigérateur avant le test.

## Raccordement de la machine à glaçons (En option )

La machine à glaçons est montée dans les réfrigérateurs à l'usine.

L'installateur du réfrigérateur devra raccorder un tuyau d'arrivée d'eau froide à l'électrovanne situé à l'arrière du réfrigérateur. Ce qui suit est nécessaire pour le raccordement de la machine à glaçons :

- tube en cuivre de diam. ext. de 1/4 po pour le tuyau d'arrivée d'eau.

OU BIEN

- tube en plastique de diam. ext. de 1/4 po pour le tuyau d'arrivée d'eau.
- robinet d'arrêt de 1/4 po dans le tuyau d'arrivée d'eau. Ceci doit être d'accès facile à travers la bouche de prise d'air inférieure.

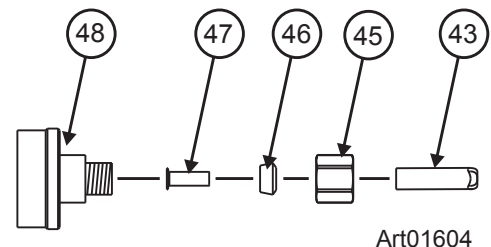
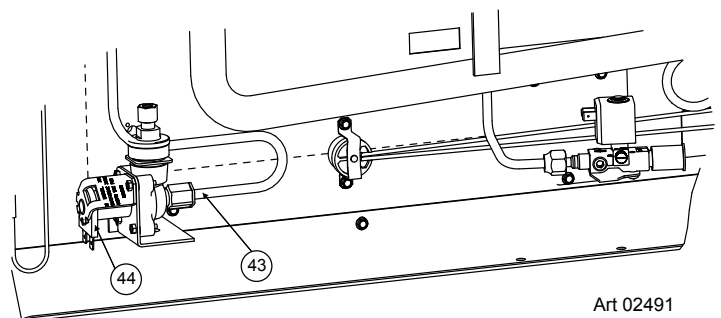
## Branchement du tuyau d'arrivée d'eau :

Installer un tuyau d'arrivée d'eau de diam. ext. de 1/4 po [43] allant du robinet d'arrêt d'eau [44] du véhicule à l'électrovanne [44] situé à l'arrière du réfrigérateur (voir Art02491) :

**AVIS**

*Un écrou de compression en laiton [45], un manchon en laiton, un manchon en plastique [46] et une pièce rapportée en laiton [47] sont fournis et fixés à l'arrière du réfrigérateur (voir Art01604).*

- Placer l'écrou de compression, puis le manchon sur le tuyau d'arrivée d'eau [43].
  - Pour les tubes en cuivre, utiliser le manchon en laiton.
  - Pour les tubes en plastique, utiliser le manchon en plastique [46].
  - Pour les tubes en plastique dont l'épaisseur des parois est de 0,040 po, utiliser également la pièce rapportée en laiton [47].
  - Purger le tuyau d'arrivée d'eau jusqu'à ce que l'eau soit claire.
- Placer le tube dans l'adaptateur [48] jusqu'à ce qu'il bute contre l'arrêt de ce dernier.
- Serrer l'écrou de compression à la main (serrer fortement avec les doigts).
- À l'aide de deux clés, serrer l'écrou de compression de 1 1/2 tour à 2 tours.



- Ouvrir le robinet d'arrêt d'eau du véhicule.

- Chercher les fuites au niveau des raccords.

## Allumage et mise en marche

Avant l'allumage ou la mise en route du réfrigérateur :

- S'assurer que le débit d'air dans la prise d'air inférieure, par le serpentin et le condenseur et par le dispositif d'évacuation supérieur ne rencontre pas d'obstacles et reste constant.
- S'assurer qu'il ne se trouve aucun matériau combustible dans le réfrigérateur ni autour de l'appareil.

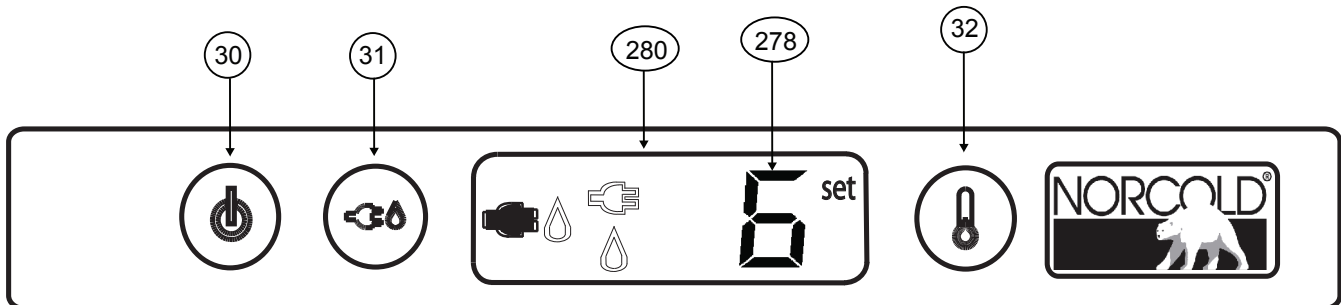
### Allumage et mise en route :

**AVIS** Si le gaz ne s'allume pas dans les 30 secondes, le robinet de gaz du réfrigérateur se ferme automatiquement, l'allumeur ne fait plus d'étincelle, une alarme sonore retentit et les codes d'anomalie « no » « FL » clignotent sur l'écran à cristaux liquides [280]. Pour réinitialiser les commandes, appuyer sur le bouton MARCHE/ARRÊT DE L'ALIMENTATION [30] et le maintenir enfoncé pendant 1 seconde pour éteindre le réfrigérateur, puis appuyer de nouveau dessus pour redémarrer le réfrigérateur (voir Art02492).

Si l'allumage ne se produit pas après plusieurs tentatives, se reporter à la section "Codes de défaillance" de ce manuel.

### Modes de fonctionnement:

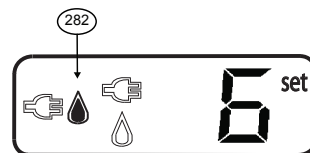
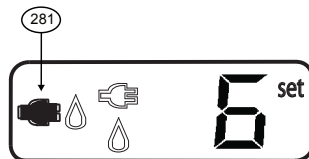
1. Appuyer sur le bouton MARCHE/ARRÊT DE L'ALIMENTATION [30] et le relâcher.
2. Sélectionner le mode de fonctionnement.
  - Appuyer sur le bouton MODE [31] et le maintenir enfoncé pour faire défiler l'un après l'autre les modes de fonctionnement disponibles du réfrigérateur.
    - Lorsque l'indicateur de mode désiré s'allume sur l'écran à cristaux liquides, relâcher le bouton MODE.
  - Sinon, appuyer sur le bouton MODE et le relâcher de manière répétée pour changer un par un les modes de fonctionnement disponibles du réfrigérateur.
  - À mesure que le mode est changé, l'indicateur de mode concerné s'allume.



ART 02492

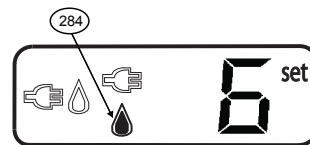
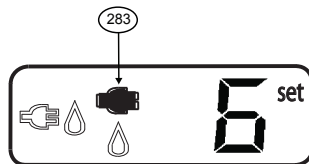
- Sur les modèles à double alimentation, les indicateurs de mode sont les suivants (voir Art02493) :

- Mode Auto courant électrique c.a. [281]
- Mode Auto gaz [282]
- Mode Manuel courant électrique c.a. [283]
- Mode Manuel gaz [284]



3. Sélectionner le réglage de température :

- Appuyer sur le bouton RÉGLAGE TEMPÉRATURE [32] et le maintenir enfoncé pour faire défiler l'un après l'autre les réglages de température (voir Art02492).



- Sinon, appuyer sur le bouton RÉGLAGE TEMPÉRATURE et le relâcher de manière répétée pour changer un par un les réglages de température.

- Les réglages de température [278] s'inscrivent sous forme de chiffres sur l'écran à cristaux liquides.

- Sélectionner l'un des neuf (9) réglages de température :
  - Un (1) correspond à la température la plus élevée.
  - Neuf (9) correspond à la température la plus basse.

#### Vérification de la soupape de sûreté du gaz :

1. Mettre le réfrigérateur en route en mode manuel.
2. Ouvrir la prise d'air inférieure.
3. Débrancher un fil du solénoïde de la soupape de sûreté du gaz à l'arrière du réfrigérateur.
4. La flamme doit s'éteindre dans les 30 secondes, ce qui confirme le bon fonctionnement de la soupape de sûreté.
5. Rebrancher le fil au solénoïde de la soupape de sûreté.
6. Fermer la prise d'air inférieure.

#### Arrêt - tous modèles :

Pour arrêter le réfrigérateur, enfoncer et maintenir enfoncé le bouton ON/OFF pendant un seconde.



## Codes d'anomalie

Code de défaillance	Signification	Actions correctives
"dr" Avec alarme sonore.	La porte est restée ouverte pendant plus de 2 minutes.	Fermer la porte.
"no" "FL" Avec alarme sonore.	Le brûleur n'est pas allumé ou rallumé.	Vérifier: - Que le robinet du (des) réservoir(s) de propane est (sont) ouvert(s). - Que la pression du gaz propane est correcte. - Que le robinet d'arrêt manuel de réfrigérateur est ouvert. - Qu'il n'y a pas d'air dans le tuyau d'arrivée de gaz propane. Voir la section « Purge d'air des tuyaux d'arrivée de gaz propane » dans le manuel d'utilisation. Entrer en rapport avec le concessionnaire ou la Centre d'entretien autorisé Norcold.
"no" "AC" Avec alarme sonore.	La tension c.a. n'est pas disponible vers le réfrigérateur.	Vérifier: - Que le réfrigérateur est branché dans une prise qui fonctionne. - Que le fusible ou le disjoncteur du véhicule est intact. - Que la génératrice du véhicule est opérationnelle (si elle existe). Entrer en rapport avec le concessionnaire ou la Centre d'entretien autorisé Norcold.
"Lo" "dc"	La tension c.c. vers le réfrigérateur est faible.	Vérifier: - Que le système de charge de la batterie du véhicule est opérationnel. - Que le convertisseur C.A/C.C. est opérationnel (si existe). Entrer en rapport avec le concessionnaire ou la Centre d'entretien autorisé Norcold.
"Lo" "dc" Avec alarme sonore.	La tension c.c. vers le réfrigérateur est faible.	Vérifier: - Que le système de charge de la batterie du véhicule est opérationnel. - Que le convertisseur C.A/C.C. est opérationnel (si existe). Entrer en rapport avec le concessionnaire ou la Centre d'entretien autorisé Norcold.
"Sr" Avec alarme sonore.	Il s'agit d'une anomalie à l'intérieur même des commandes du réfrigérateur.	COUPER l'alimentation du réfrigérateur puis la rétablir pour le réinitialiser. Si le code d'anomalie persiste, consulter le concessionnaire ou un centre de service après-vente agréé Norcold.
Le réglage de température clignote lorsque l'on appuie sur le bouton RÉGLAGE TEMP ou MODE.	Le réfrigérateur fonctionne sur le système de fonctionnement de secours.	Aucune action corrective par l'utilisateur/propriétaire. Entrer en rapport avec le concessionnaire ou la Centre d'entretien autorisé Norcold.
"AC" "rE" Avec alarme sonore.	Il s'agit d'une anomalie à l'intérieur même des commandes du réfrigérateur.	Aucune action corrective par l'utilisateur/propriétaire. Entrer en rapport avec le concessionnaire ou la Centre d'entretien autorisé Norcold.
"AC" "HE" Avec alarme sonore.	Il s'agit d'un problème lié à la chaufferette c.c.	Aucune action corrective par l'utilisateur/propriétaire. Entrer en rapport avec le concessionnaire ou la Centre d'entretien autorisé Norcold.
"oP" "LI" Avec alarme sonore.	Un interrupteur de limite de température est ouvert.	Aucune action corrective par l'utilisateur/propriétaire. Entrer en rapport avec le concessionnaire ou la Centre d'entretien autorisé Norcold.
"FL" "-" Avec alarme sonore.	Une flamme est présente au niveau du brûleur alors qu'il ne devrait pas y en avoir.	Aucune action corrective par l'utilisateur/propriétaire. Entrer en rapport avec le concessionnaire ou la Centre d'entretien autorisé Norcold.

