



For Polar 10Series N10LX and NA10LX models: 10 cu.ft., 2-way R.V. refrigerators or with Icemaker

Any letters following the above model numbers means a refrigerator option.



Improper installation, adjustment, alteration, service or maintenance can cause injury or property damage. Refer to this manual. For assistance or additional information, contact a qualified installer, service agency, or the gas supplier.



## FIRE OR EXPLOSION HAZARD

If you smell gas or ammonia:

1. Open Windows
2. Do not attempt to light appliance.
3. Do not touch electrical switches.
4. Extinguish any open flame
5. Shut off fuel supply.
6. Evacuate immediately and call emergency services.

Failure to follow these instructions could result in fire or explosion, which could cause property damage, personal injury, or death.

## FOR YOUR SAFETY

Do not store or use gasoline or other flammable vapors and liquid in the vicinity of this or any other appliance.



DO NOT install this refrigerator in below deck marine applications. Do not install this refrigerator in a fixed indoor cabin or other dwelling applications. This refrigerator must use only NORCOLD designed and approved outside air intake and exhaust ventilation for correct and safe operation. Any other ventilation could cause lethal combustion exhaust fumes and/or explosive propane gas fumes to be in the living area and/or to be below deck.

**English**

## Table of Contents

---

Safety Awareness .....	2
Safety Instructions .....	2
Certification and Code Requirements .....	3
Ventilation Requirements .....	4
Key Refrigerator Dimensions .....	5
Assemble the Enclosure for the Refrigerator .....	5
Install the Lower and Upper Vents .....	6
Rear wall Installation .....	10
Install the Decorative Door Panels (nonmetal door models) .....	10
Reverse the Door Swing-Metal Doors (optional) .....	10
Install the Refrigerator .....	12
Connect the Electrical Components .....	13
Connect the 120 volts AC supply .....	13
Connect the 12 volts DC supply .....	13
Connect the Propane Gas Components .....	14
Connect the propane gas supply system .....	14
Examine the gas supply system for leaks .....	14
Connect Icemaker .....	15
Connect water supply line .....	15
Operating the Refrigerator controls .....	16
Automatic mode operation .....	16
Manual AC mode operation .....	16
Manual LP Gas operation .....	17
Manual DC operations .....	17
Shut down-All models .....	17
Fault Codes .....	18

## Safety Awareness

---

Read this manual carefully and understand the contents before you install the refrigerator.

Be aware of possible safety hazards when you see the safety alert symbol on the refrigerator and in this manual. A signal word follows the safety alert symbol and identifies the danger of the hazard. Carefully read the descriptions of these signal words to fully know their meanings. They are for your safety.



**This signal word means a hazard, which if ignored, can cause serious personal injury, death, or property damage.**



**This signal word means a hazard, which if ignored, can cause personal injury or property damage.**

## Safety Instructions

---



- **This refrigerator is not approved for use as a free standing refrigerator. It is equipped for the use of propane gas only and can not be changed to use any other fuels (natural gas, butane, etc.).**
- **Incorrect installation, adjustment, alteration, or maintenance of this refrigerator can cause personal injury, property damage, or both.**
- **Obey the instructions in this manual to install intake and exhaust vents.**
- **Do not install the refrigerator directly on carpet. Put the refrigerator on a metal or wood panel that extends the full width and depth of the refrigerator.**

- Do not allow anything to touch the refrigerator cooling system.
- Propane gas can ignite and cause an explosion that can result in property damage, personal injury, or death. Do not smoke or create sparks. Do not use an open flame to examine the propane gas supply line for leaks. Always use two wrenches to tighten or loosen the propane gas supply line connections.
- Make sure the electrical installation obeys all applicable codes. See “Certification and Code Requirements” section.
- Do not bypass or change the refrigerator’s electrical components or features.
- Do not spray liquids near electrical outlets, connections, or the refrigerator components. Many liquids are electrically conductive and can cause a shock hazard, electrical shorts, and in some cases fire.
- The refrigerator cooling system is under pressure. Do not try to repair or to recharge a defective cooling system.
- The cooling system contains sodium chromate. The breathing of certain chromium compounds can cause cancer. The cooling system contents can cause severe skin and eye burns, and can ignite and burn with an intense flame. Do not bend, drop, weld, move, drill, puncture, or hit the cooling system.



- The rear of the refrigerator has sharp edges and corners. To prevent cuts or abrasions when working on the refrigerator, use caution and wear cut resistant gloves.

## Certification and Code Requirements

---

This refrigerator is certified by CSA International as meeting the latest edition of ANSI Z21.19 / CSA 1.4 standards for installation in mobile homes or recreational vehicles.

The refrigerator must be installed in accordance with this “Installation Manual” in order for the Norcold limited warranty to be in effect. In addition, the installation must conform to the following, as applicable:

### In the United States and Canada:

- Local codes, or in the absence of local codes, the National Fuel Gas Code, ANSI Z223.1/NFPA 54, the Natural Gas and Propane installation Code, CSA B149.1, ANSI A119.2 Recreational Vehicles Code, and CSA Z240 RV Series, Recreational Vehicles.
- A manufactured home (mobile home) installation must conform with the Manufactured Home Construction and Safety Standard, Title 24 CFR, Part 3280 [formerly the Federal Standard for Mobile Home Construction and Safety, Title 24 (part 280), and the current CSA Z240.4, Gas-equipped Recreational Vehicles and Mobile Housing.
- If an external power source is utilized, the appliance, when installed, must be electrically grounded in accordance with local codes or, in the absence of local codes, the National Electrical code, and ANSI/NFPA 70, or the Canadian Electrical Code, CSA C22.2. Parts 1 and 2.

All propane gas supply piping and fittings must obey local, state, and national codes about type and size. These components must also obey the current NFPA 501C section 2-4, and in Canada with the current CAN 1-6.10 Standard.



Art01290



## Ventilation Requirements

---



The completed installation must:

- Make sure there is sufficient intake of fresh air for combustion.
- Make sure the living space is completely isolated from the combustion system of the refrigerator.
- Make sure there is complete and unrestricted ventilation of the flue exhaust which, in gas mode, can produce carbon monoxide. The breathing of carbon monoxide fumes can cause dizziness, nausea, or in extreme cases, death.
- Make sure the refrigerator is completely isolated from its heat generating components through the correct use of baffles and panel construction.

Certified installation needs one lower intake vent and one upper exhaust vent. Install the vents exactly as written in this manual. Any other installation method voids both the certification and the factory warranty of the refrigerator.

The bottom of the opening for the lower intake vent, which is also the service access door, must be even with or immediately below the floor level. This allows any leaking propane gas to escape to the outside and not to collect at floor level.

CSA International certification allows the refrigerator to have zero (0) inch minimum clearance at the sides, rear, top, and bottom. While there are no maximum clearances specified for certification, the following maximum clearances are necessary for correct refrigerator performance:

Bottom	0 inch min.	0 inch max.
Each Side	0 inch min	1/2 inch max.
Top	0 inch min.	1/4 inch max.
Rear	0 inch min.	1 inch max.

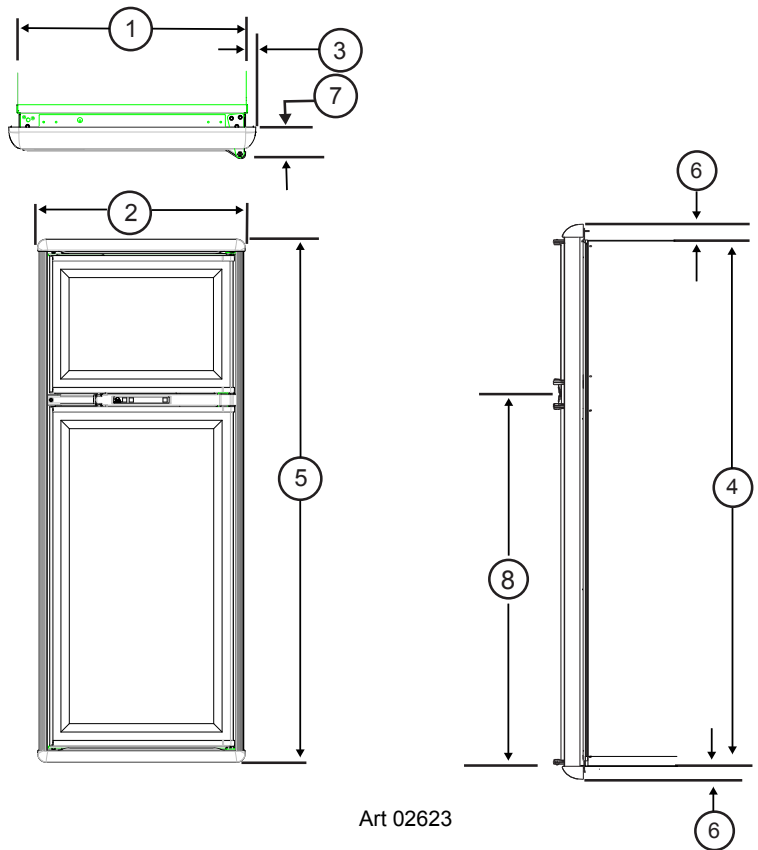
These clearances plus the lower and upper vents cause the natural air draft that is necessary for good refrigeration. Cooler air comes in through the lower vent, goes up around the refrigerator coils where it removes the excess heat from the refrigerator components, and goes out through the upper vent. If this air flow is blocked or decreased, the refrigerator will not cool correctly.

Each NORCOLD model is certified by CSA International for correct ventilation. Install only the certified vents that are listed in this manual.

## Key Refrigerator Dimensions

These key refrigerator dimensions are for your reference as necessary (See Art 02623).

Refrigerator cabinet width w/o trim: 23.25 in. max.....	1
Refrigerator width overall w/ trim: 24.75 in.....	2
Refrigerator cabinet to side trim: 0.82 in.....	3
Refrigerator cabinet height w/o trim: 59.62 in. max.....	4
Refrigerator height overall w/ trim: 62.41 in.....	5
Refrigerator cabinet to:	
Top trim 1.30 in.....	6
Bottom trim 1.37 in.....	6
Enclosure wall to hinges: 3.20 in.....	7
Refrigerator cabinet to center of handles: 41.5 in.....	8



Art 02623

## Assemble the Enclosure for the Refrigerator

- Make sure the enclosure is 59.88 - 60.01 inches high x 23.50 - 23.63 inches wide x 24 inches deep.
- Make sure the floor is solid and level.
  - The floor must be metal or a wood panel and extend the full width and depth of the enclosure.
  - The floor must be able to support the weight of the refrigerator and its contents.
- Make sure there are no adjacent heat sources such as a furnace vent, a hot water heater vent, etc.
- If there is more than 1/2 inch between either side of the refrigerator and the inside of the enclosure:
  - Fill the space with fiberglass insulation or add a baffle to eliminate the excess clearance.
    - Make sure that the rear of the batt-type insulation is between 18 - 19 inches from the face of the enclosure.
    - Securely attach the batt-type insulation to the enclosure so that it remains in this position during refrigerator installation, if it becomes wet, and in windy conditions.

## Install the Lower and Upper Vents

1. Using the following chart, decide which vents and rough opening (RO) sizes to use:

Certified Vent	P/N	RO Height	RO Width
Upper Roof Exhaust Cap	622293	N/A	N/A
Upper Roof Exhaust Vent	616319	24 in.	5 1/4 in.
Upper Exhaust & Lower Intake	621156 / 637615	13 3/4 + 1/8-0 in.	21 1/2 + 1/8-0 in.
Lower Square Corner Intake	616010	9 3/4 in.	19 3/8 in.

The RO must be square. Diagonal measurements of the RO should be within 1/16in. The vent should be centered in the RO width.

2. Install the lower intake vent (See Art 02638, Art 02696, Art 02697):

**NOTICE** The lower intake vent is also the service access opening for the components on the rear of the refrigerator.

**WARNING** Make sure the bottom of the opening of the lower intake vent is even with or immediately below the floor level. This allows any leaking propane gas to escape to the outside and not to collect at floor level.

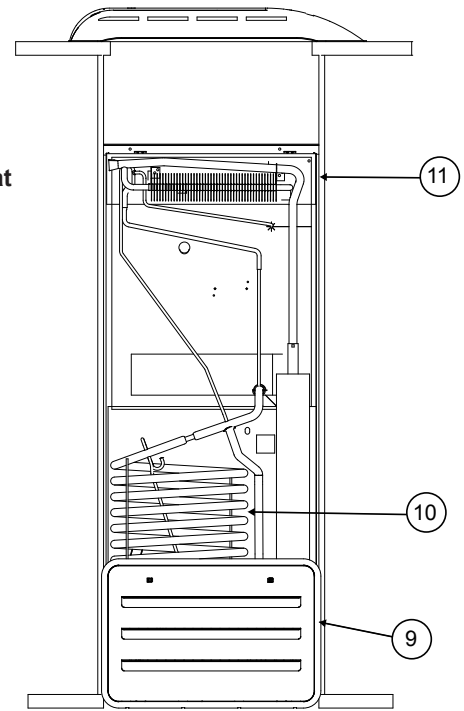
- Make sure the bottom of the opening of the lower intake vent [9] is even with or immediately below the floor level.
- Align the lower intake vent vertically below the coils [10] and the condenser [11] of the refrigerator.

3. Install the upper exhaust vent:

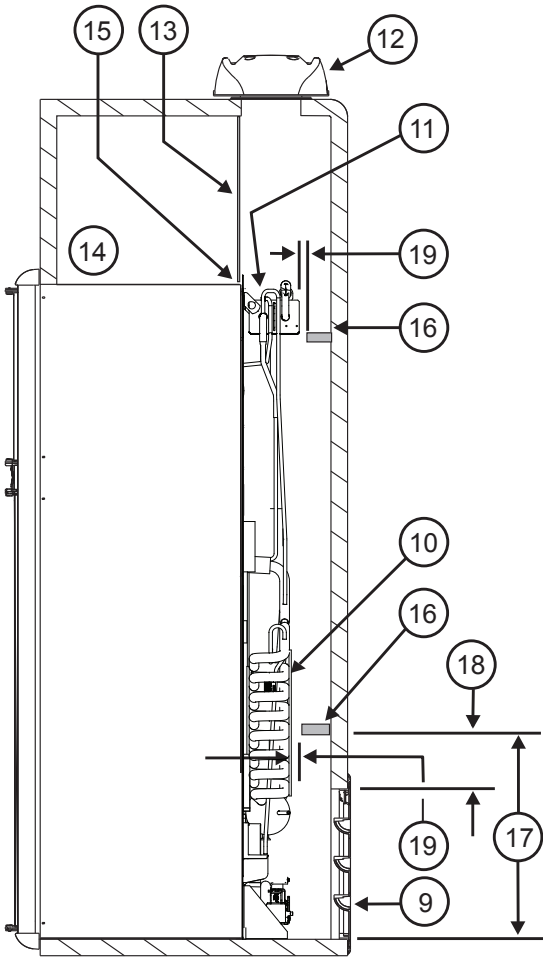
**CAUTION** Make sure that no sawdust, insulation, or other construction debris is on the refrigerator or in the enclosure. Debris can cause a combustion hazard and prevent the refrigerator from operating correctly.

**NOTICE** Tighten the screws of the upper roof exhaust cap to 10 inch-pounds max. Also make sure that the air flow around the upper roof exhaust cap is not blocked or decreased by other roof mounted features such as a luggage carrier, an air conditioner, a solar panel, etc.

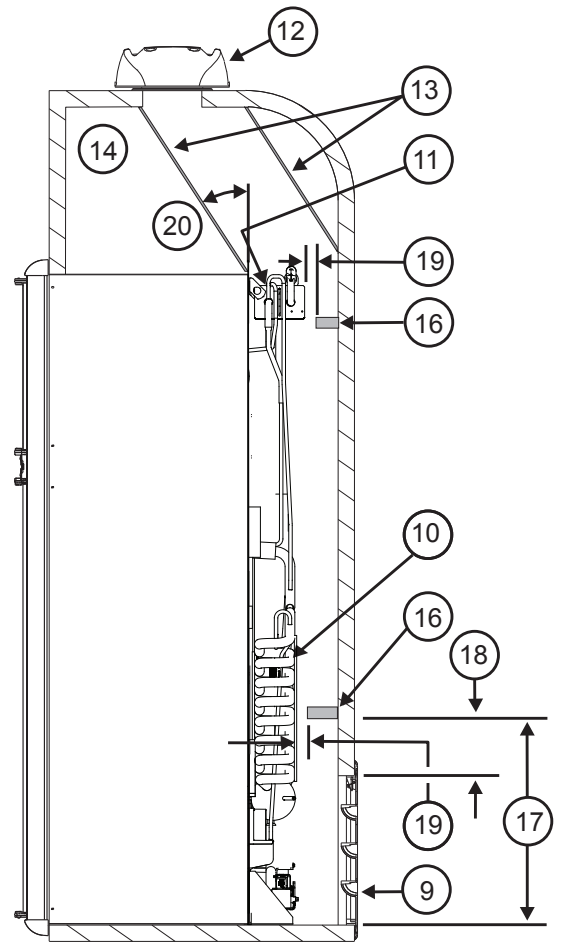
- If the design of the vehicle allows, install the roof exhaust vent [12] directly above the condenser [11] of the refrigerator (See Art 02696):
  - Install a baffle [13] to prevent stagnant hot air in the area [14] above the refrigerator.
    - Make sure there is less than 1/4 inch clearance [15] between the baffle and the top of the refrigerator.
    - Make sure the baffle is the full width of the inside of the enclosure.
- If the design of the vehicle does not allow you to install the roof exhaust vent directly above the condenser [11] of the refrigerator (See Art 02697):
  - Align the roof exhaust vent [12] above the condenser [11] of the refrigerator and move it inboard as necessary.
  - Install two baffles [13] to prevent stagnant hot air in the area [14] above the refrigerator.
    - Make sure the baffles are the full width of the inside of the enclosure.



Art 02638

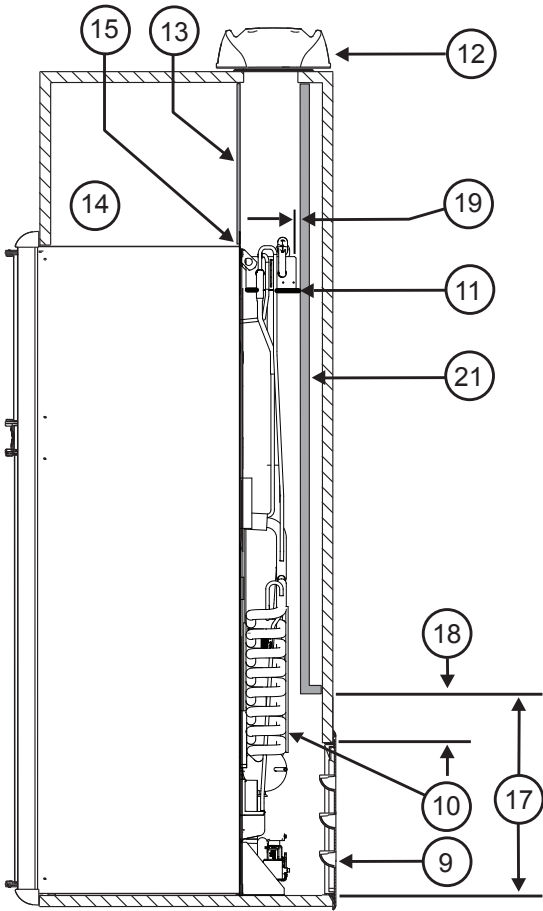


Art02696

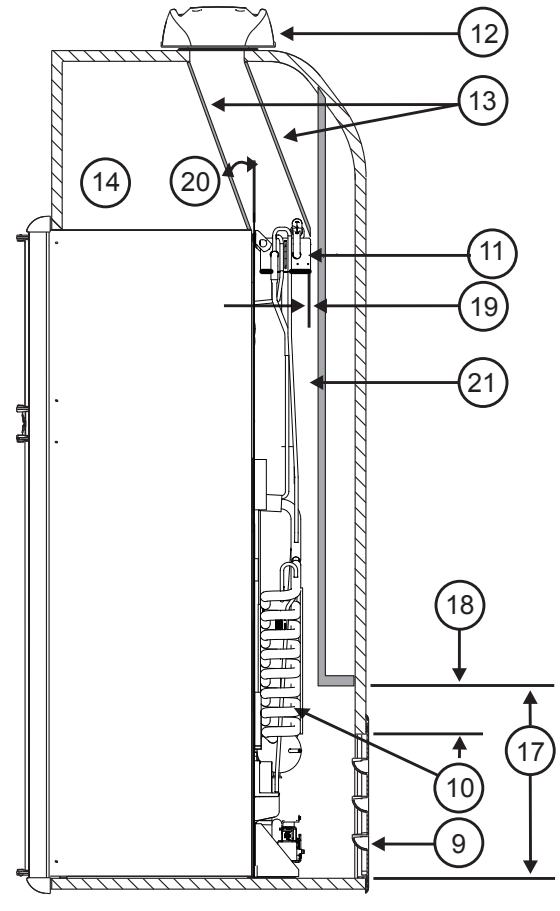


Art02697

- Make sure that the baffles are no more than 45° from vertical [20].
- Put one baffle between the top rear edge of the refrigerator and the inside edge of the upper exhaust vent opening.
- Put the other baffle between the outside edge of the upper exhaust vent opening and the side wall of the vehicle.
- If the depth of the enclosure is 24 inches or more and is less than 25 inches, no baffles are necessary at the rear of the enclosure.
- If the depth of the enclosure is 25 inches or more and is less than 26 inches, add two baffles [16] to the rear of the enclosure (See Art 02696 and Art 02697).
  - Put one baffle 18 inches to 18 1/2 inches above the bottom of the enclosure [17] (4 1/4 inches to 4 3/4 inches above the top of the lower intake vent opening REF) [18] .
  - Put the other baffle at the lowest edge of the condenser [11] of the refrigerator.
    - Make sure that the baffles are 1 inch or less [19] from the coils [10] and condenser [11] of the refrigerator.
    - Make sure that the baffles are the full width of the inside of the enclosure.



Art02694



Art02695

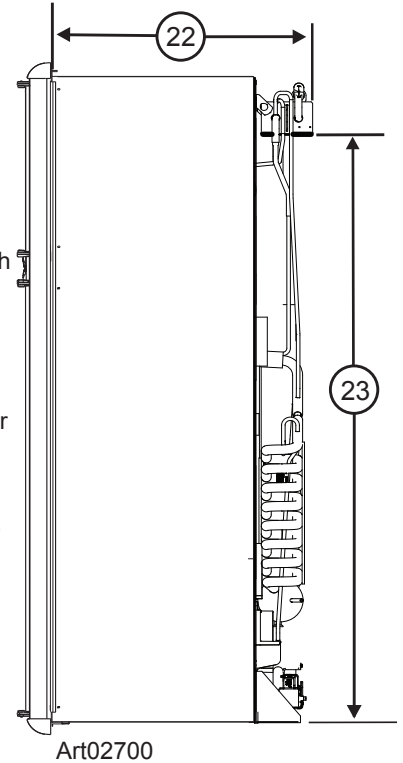
- If the depth of the enclosure is more than 26 inches, install a wood or an aluminum or galvanized sheet solid box baffle [21] in the rear of the enclosure (See Art 02694 and Art 02695).
  - Make sure that the bottom of the solid box baffle is 18 inches to 18 1/2 inches above the bottom of the enclosure [17] (4 1/4 inches to 4 3/4 inches above the top of the lower intake vent opening REF) [18] .
  - Make sure that the back of the solid box baffle is perpendicular to the bottom of the enclosure.
  - Make sure that the back of the solid box baffle is either against the top of the enclosure or against the angled baffle [13] (depending on the vehicle design).
    - Make sure that the solid box baffle is one inch or less [19] from the coils [10] and condenser of the refrigerator.
    - Make sure that the solid box baffle is the full width of the inside of the enclosure.



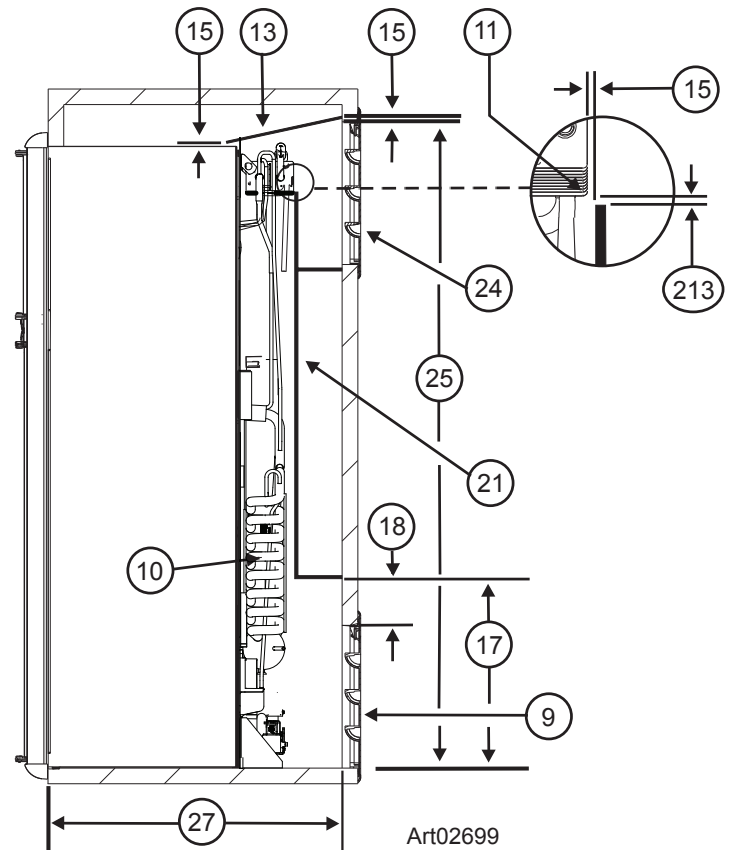
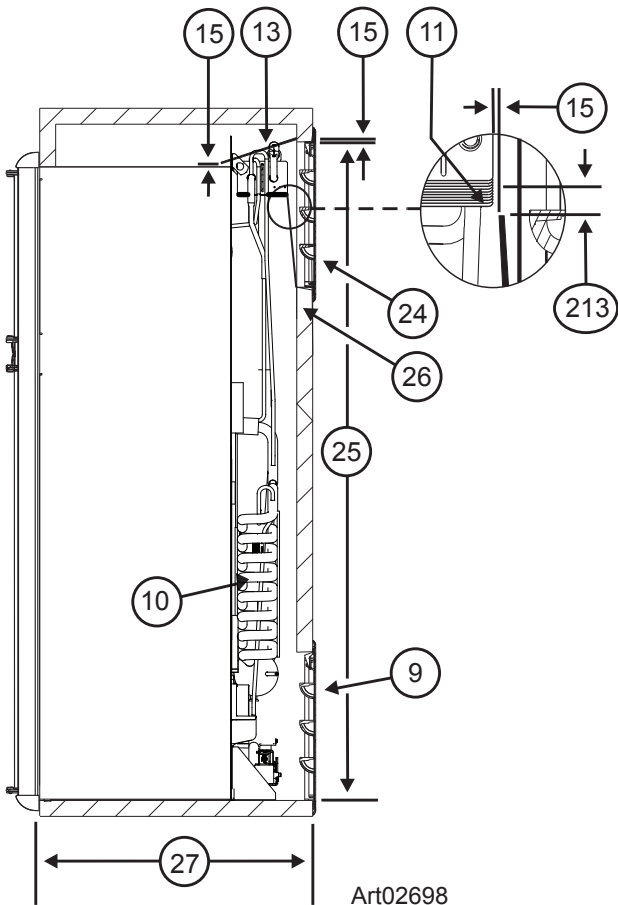
- If the design of the vehicle does not allow you to install a roof exhaust vent, install an upper side-wall exhaust vent.

**NOTICE**

The refrigerator is 23.7 in. min. to 24.0 in. max. from the rear of the breaker to the rear of the condenser [22] and 54.1 in. min. to 54.4 in. max. from the bottom of the refrigerator to the bottom of the refrigerator condenser [23] (See Art 02700).



- Install the upper side-wall exhaust vent [24] (See Art 02698 and Art 02699).
  - Make sure the distance [25] from the bottom of the enclosure to the top of the rough opening for the upper exhaust vent is at least 62 inches.
  - Align the upper exhaust vent horizontally above the lower intake vent [9] of the refrigerator.
  - To prevent stagnant hot air in the area above the refrigerator, install an aluminum or galvanized steel sheet baffle [13] between the top of the refrigerator and the top of the upper exhaust vent.
    - Make sure there is less than 1/4 inch clearance between the baffle and the top of the refrigerator [16] and that the baffle overlaps the refrigerator 1 inch or less.
    - Make sure that the baffle is against the wall of the vehicle at the top of the upper exhaust vent and 1/4 inch or less from the top of the opening for the upper exhaust vent [15].
    - Make sure the baffle is the full width of the inside of the enclosure
- When using an upper side-wall exhaust vent:
  - If the depth of the enclosure is more than 24 inches and less than 26 inches [27], install a bent aluminum or galvanized steel sheet baffle [26] to the rear of the enclosure (See Art 02698).



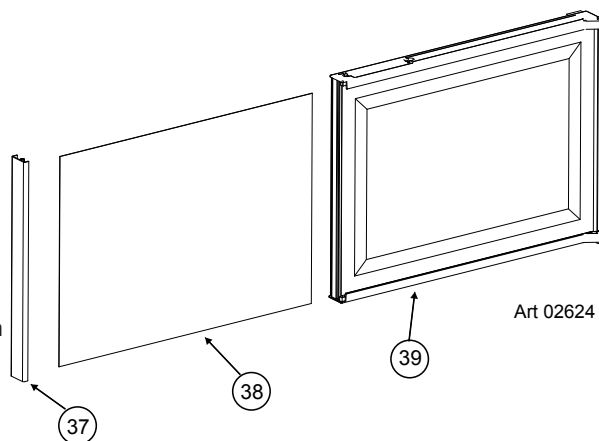
- Make sure that the bend of the baffle is the full width of the inside of the enclosure.
- Make sure that the bend of the baffle is flush with the bottom edge of the upper intake vent door frame.
- Make sure that the top edge of the baffle is 1/4 inch [213] below the bottom of the condenser and that there is 1/4 inch or less clearance [15] between the rear of the condenser and the baffle.
- If the depth of the enclosure is more than 26 inches [27], install a wood or an aluminum or galvanized steel sheet solid box baffle [21] between the lower intake vent and the upper exhaust vent (See Art 02699).
  - Make sure that the solid box baffle is the full width of the inside of the enclosure.
  - Make sure that the bottom of the solid box baffle is 18 inches to 18 1/2 inches above the bottom of the enclosure [17] (4 1/4 inches to 4 3/4 inches above the top of the lower intake vent opening REF) [18] .
  - Make sure that the back of the solid box baffle is perpendicular to the bottom of the enclosure.
  - Make sure that the horizontal top of the solid box baffle is even with the bottom edge of the upper exhaust vent [24].
  - Make sure that the horizontal top edge of the baffle is between 1/2 inch [213] or less below and 1/4 inch or less behind the lower rear corner of the condenser.
  - Make sure that there is 1/4 inch or less clearance [15] between the rear of the condenser and the baffle.

## Install Decorative Door Panels

### NOTICE

The doors are made to accept decorative panels. The decorative panels must be 3/16 inch or less in thickness. Install the decorative door panels in the refrigerator doors before installing the refrigerator in the vehicle.

- Make an upper door panel that is 21 19/32 inches wide x 15 17/32 inches high.
- Make a lower door panel that is:
  - 21 19/32 inches wide and 39 5/8 inches high
  - Pull the panel retainer [37] off each door (See Art 02624).
- Push the decorative door panel [38] into the slots of the door [39].
- Push each panel retainer into the slot on the edge of the door installation



## Rear Wall Installation

For rear wall installation please refer to special instructions 620918 for additional required instructions.

## Reverse the Door Swing- (optional)

This refrigerator has cabinet hinges that allow you to change the direction the door opens by moving the hinges to the opposite side.

It is recommended this be done before installing the refrigerator into the enclosure.

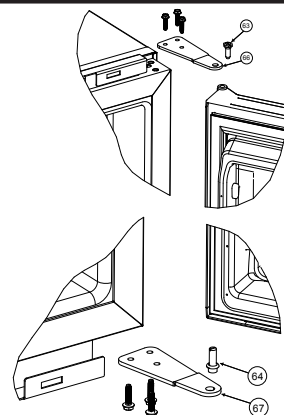
### 1. Remove the doors (See Art 02683):

- Remove the storage bins from the doors.

### NOTICE

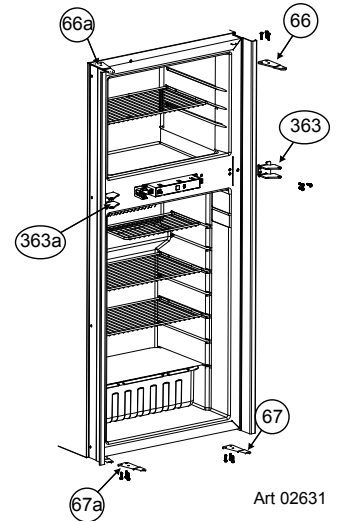
Do not mix the upper and lower hinge pins because they are different.

- Remove and save the upper hinge pin [63] from each hinge.
- Pull the door latch and remove each door from the refrigerator.
- Remove and save the lower hinge pin [64] from each hinge.



2. Change the position of the cabinet hinges and the strike plate and remove the control housing.  
(See Art 02631)

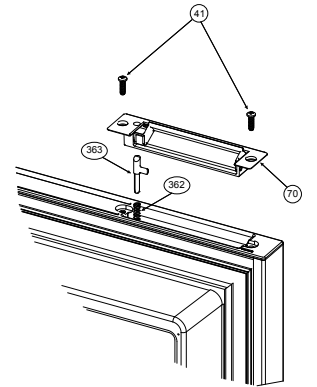
- Remove and save the screws from the strike plate and hole cover.
- Remove center hinge [363] and screws.
- Flip center hinge [363a] over and reinstall on other side of cabinet.
- Remove and save the screws from the upper cabinet hinge [66].
- Put the hinge on the other side of the refrigerator [66a].
- Attach the hinge with screws.
- Tilt the cabinet to the side to allow access to the bottom hinge screws.
- Remove and save the screws from the lower cabinet hinge [67].
- Put the hinges on the other side of the refrigerator [67a].
- Attach the hinge with screws.
- Install strike plate and hole cover with screws on the other side of control.
- Rotate the control housing 180° and put it on the opposite side of the controls (See Art 02636 & Art 02635).
- Snap the control housing to the refrigerator.



Art 02631

3. Change the position of the door handles (See Art 02630):

- Remove the screws, [41] door handle, [70] latch pin [363] and spring [362] from each door.
- Put the lower door handle on the upper door and the upper door handle on the lower door.
- Attach each door handle with the screws.



Art 02630

4. Reinstall the doors (See Art 02683):

- Turn the lower hinge pins into the lower cabinet hinges.

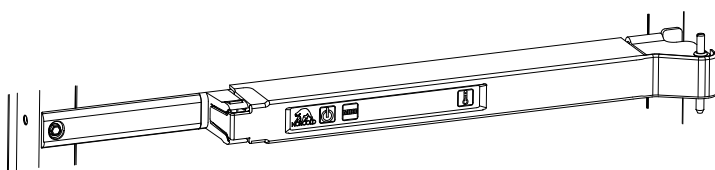
**NOTICE**

To prevent damage to the threads of the hinge pins, turn the hinge pins by hand until tight and then tighten with a screwdriver.

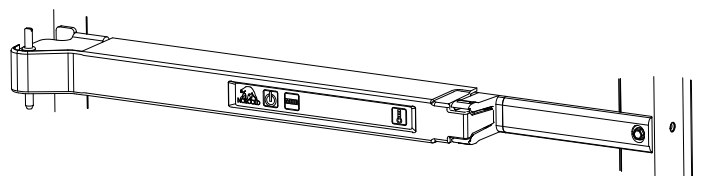
**CAUTION**

Apply Loctite removable thread locker (blue) to the threads of the hinge screws before assembly to prevent loosening during use. Do not allow Loctite to contact any of the plastic surfaces of the refrigerator because it can damage those surfaces.

- Put each door down onto the lower hinge pin.
- Align the holes in the upper hinges and hold in this position.
- Turn the upper hinge pin into the hinges of each door.
- Tighten the hinge pins.
- Put the storage bins in the doors.



Art 02636



Art 02635

# Install the Refrigerator

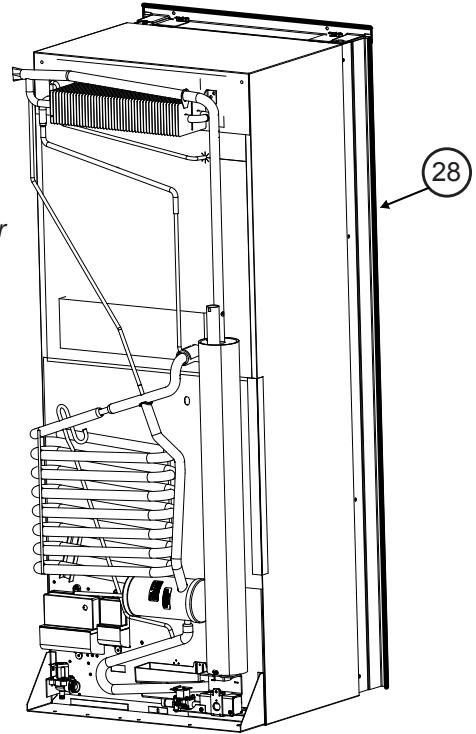
1. Put the refrigerator in position (See Art 02646, Art 01688, and Art 01689):



**WARNING** Make sure the combustion seal [28] is not broken, is completely around the refrigerator mounting flanges, and is between the mounting flanges and the wall of the enclosure. If the seal is not complete, exhaust fumes can be present in the living area of the vehicle. The breathing of exhaust fumes can cause dizziness, nausea, or in extreme cases, death.



**NOTICE** Be careful when you put the refrigerator into position. The refrigerator has vacuum insulating panels. If punctured, these panels lose insulation value which decreases the cooling performance of the refrigerator.



Art 02646

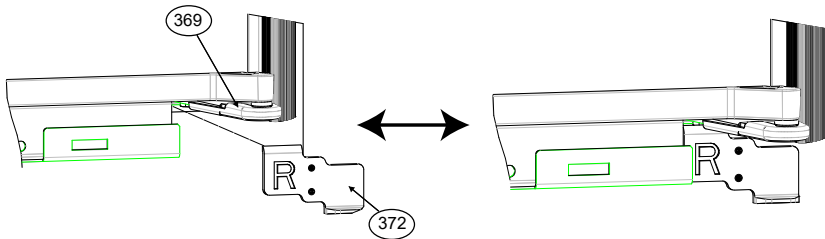
- Push the refrigerator completely into the enclosure.
- Put two mounting screws [41] through the lower mounting flange [211] on the front of the refrigerator and into the enclosure wall.
- Put two mounting screws [41] through the upper mounting flange [210] on the front of the refrigerator and into the enclosure wall.

2. Attach the hinge support bracket (See Art02764, Art02765 and Art02766):

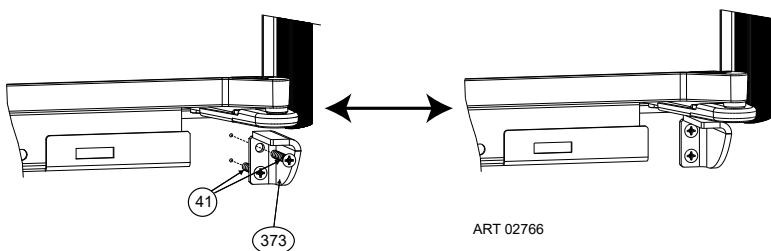


**NOTICE** The images shown in this section assume that the door hinges are placed on the right hand side of the refrigerator. If the hinges are mounted on the left hand side, turn the template over and rotate it 180 degrees, then follow this procedure.

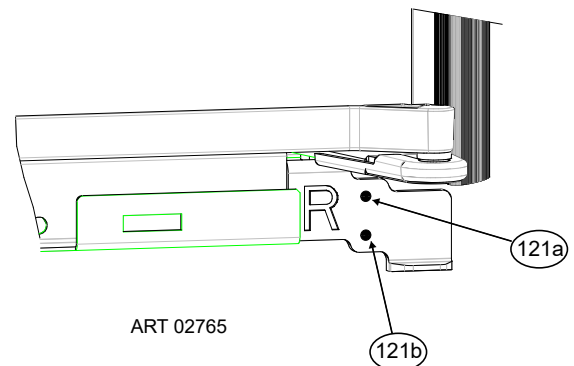
- Slide the template [372] into position as shown. The refrigerator's bottom bracket and the enclosure will locate the template. Remove the plastic hinge cover [369] if necessary.
- Using the template as a guide, mark the two bracket mounting holes [121a, 121b] on the enclosure face.
- Remove the template and drill two 7/64 inch diameter holes at the marked locations in the enclosure face.
- Use two mounting screws [41] to attach the hinge support bracket [373] to the enclosure wall. Reattach the plastic hinge cover if necessary.



ART 02764



ART 02766

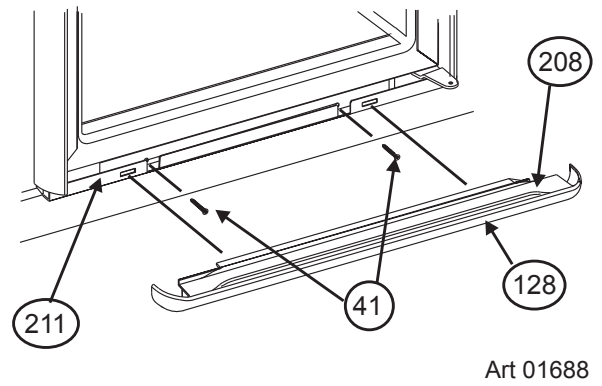
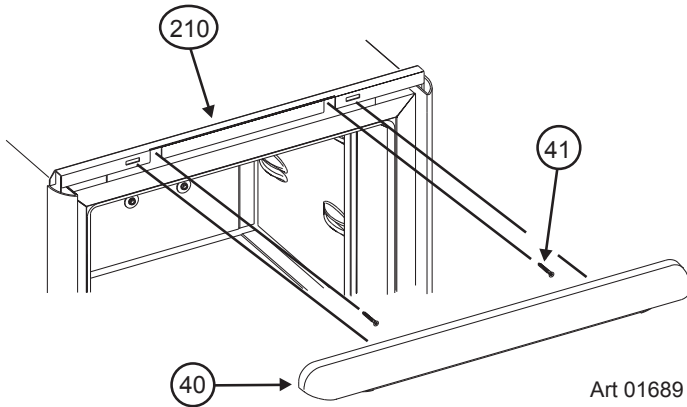


ART 02765

3. Install the upper and lower trim pieces:

**NOTICE** *These trim pieces are not the same. Make sure that the notch [208] in the upper and lower trim pieces fit around the upper and lower cabinet hinge.*

- Align the tabs of each trim piece with the rectangular holes of each mounting flange.
- Push the lower trim piece [128] onto the front of the lower mounting flange [211] until you feel both ends engage and hear a “snap” sound.
- Push the upper trim piece [40] onto the front of the upper mounting flange [210] until you feel both ends engage and hear a “snap” sound.
- Put screws through mounting flange on the rear of the refrigerator and into the floor.



## Connect the Electrical Components

AC Operation                      120 volts AC voltage                      (132 volts max. - 108 volts min.)

DC Operation                      12 volts DC control voltage                      (16.0 volts max. - 10.5 volts min.)

This refrigerator operates on these electrical sources. Operation out of these limits may damage the refrigerator's electrical circuit parts and will void the warranty.



**WARNING** The rear of the refrigerator cooling system has hot surfaces and sharp surfaces that can damage electrical wiring. Make sure that there is a good clearance between all electrical wiring and the cooling system of the refrigerator. Position any electrical wiring within the refrigerator enclosure opposite the burner side of the refrigerator. Do not put any electrical wiring through the roof exhaust vent. Failure to correctly position electrical wiring can result in electrical shock or fire.

### Connect the 120 volts AC supply:



**WARNING** Connect the AC power cord(s) only to a grounded three-prong receptacle. Do not remove the round ground prong from any of the AC power cords. Do not use a two prong adapter or an extension cord with any of the AC power cords. Operation of the refrigerator without correct ground can cause dangerous electrical shock or death if you are touching the metal parts of the refrigerator.

Put the AC power cord(s) into a grounded three-prong receptacle:

- Make sure the receptacle is positioned within easy reach of the lower intake vent.
- Make sure the power cord(s) does not touch the burner cover, the flue pipe, or any hot component that could damage the insulation of the power cord.

### Connect the 12 volts DC supply:

As the distance from the vehicle battery to the refrigerator increases, the correct AWG wire size and fuse size also increases. If the wire size is too small for the distance, a voltage drop occurs. The voltage drop decreases the DC input voltage to the main control board which could then affect cooling performance.

1. Determine the min. wire size and the max. fuse size to use:

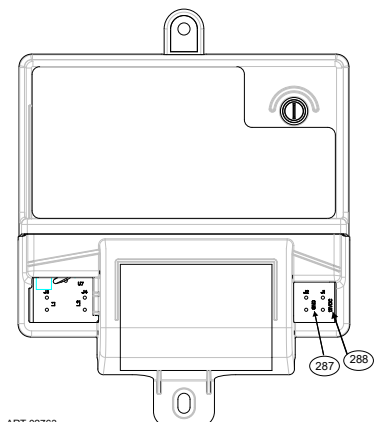


**WARNING** If you use an incorrect wire size and/or fuse size, electrical fire can result.

- On 2-way models, use a minimum of 18 AWG wire and a maximum 6 Amp fuse.
  - On 3-way models, measure the distance from the vehicle battery to the refrigerator.
    - If the distance is 0 - 20 feet, use a minimum of 10 AWG wire and a maximum 30 Amp fuse.
    - If the distance is over 20 feet, use a minimum of 8 AWG wire and a maximum 40 Amp fuse.
  - If the wire size is larger than the min. size, use the correct fuse per RVIA A119.2 standard or local codes.
2. Install a fuse in DC power supply wires between the battery and the refrigerator:
- Put fuse as close to the battery as possible.
3. Connect the DC power supply wires (See Art 02763):
- Attach a 1/4 inch Quick Connect terminal to each DC power supply wire.
  - Push the positive DC power wire onto the power board terminal that is marked 12VDC [288].
  - Push the DC ground wire onto the power board terminal that is marked GND [287].
  - Make sure each DC power supply wire is on the correct polarity terminal.



**NOTICE** Do not use the chassis of the refrigerator or the vehicle frame as one of the conductors. Attach the DC power supply wires only to the battery and the main control board input terminals [287 & 288].



ART 02763

## Connect the Propane Gas Components

This refrigerator operates on propane gas at a pressure of 11 inches Water Column Propane.

The controls operate on 12 volts DC (10.5 volts min. - 16 volts max.). Operation out of these limits can damage the refrigerator electrical circuit parts and will void the warranty

### Connect the propane gas supply system:



Be very careful when working on or near the propane gas system.

- Do not smoke, or use an open flame near the propane gas system.
- Do not use an open flame to examine for leaks.
- Do not connect the refrigerator to the propane gas tank without a pressure regulator between them.
- To avoid a propane gas leak, always use two wrenches to tighten or loosen the propane gas supply line connections.
- Leaking propane gas can ignite or explode and result in serious personal injury or death.

Connect the gas supply line to the refrigerator:

- Make sure that all tubing and fittings obey all local, state, and national codes about size and type.
- Make sure that all flexible metal connectors obey the current CAN1-6.10 Standard.
- Make sure that the materials used for the gas supply line obey both the current ANSI A 119.2 (NFPA 1192) and CSA Z240 Standards on Recreational Vehicles. Norcold recommends the use of 3/8 inch copper tubing as the gas supply line and requires a 3/8 inch SAE (UNF 5/8-18) male flare fitting as the connection to the refrigerator.
- Put the propane gas supply line up through the floor of the enclosure.
- Make sure the hole through the floor is large enough allow clearance for the gas supply line.
- Put a weather resistant seal (grommet, sealant, etc.) around the gas supply line where it goes through the floor to prevent vibration and abrasion.
- Make sure that the propane gas supply line does not interfere with removal of the burner box cover or block the door opening of the burner box cover.
- To prevent vibration and abrasion, make sure that the gas supply line is not against anything in the enclosure.
- Attach the gas supply line to the combination gas valve of the refrigerator.
- To prevent cross threading and stripping of the 5/8-18 aluminum threads of the refrigerator gas train assembly during the installation process, please follow these steps:

Tools need : 7/8" Wrench - for gas supply line fitting and 3/4" Wrench for gas train assembly.

- Hand thread the gas supply line fitting [A] on the gas train assembly [B] until it is finger-tight.
- Apply timing marks [C] to the gas supply line fitting and the gas train assembly. Refer to Fig 1.
- Use the double wrench technique to avoid twisting the frame of the gas train assembly. Refer to Fig. 2. If the gas train becomes bent or twisted, it MUST be replaced.
- Using two (2) wrenches, tighten to 1/8 of a turn more. Refer to Fig.3.



**Always use two wrenches to tighten or loosen propane gas connections. Damaged connections, piping, and components create the potential for gas leaks.**

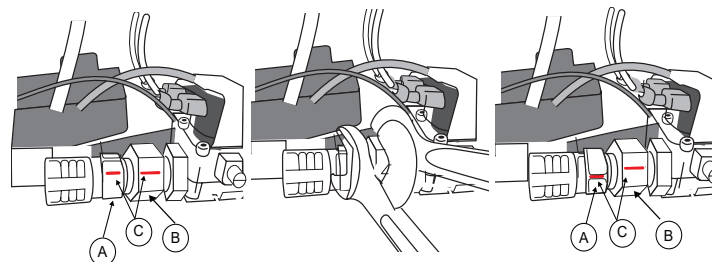


Figure 1

Figure 2

Figure 3

## Examine the gas supply system for leaks:



**Do not allow the leak detecting solution to touch the electrical components. Many liquids are electrically conductive and can cause electrical shorts and in some cases, fire.**

Use a leak detecting solution to examine the gas supply line and all propane gas connections for leaks.

If you use compressed air for the test:

- The pressure of the compressed air at the manual shut off valve of the refrigerator must not be more than 1/2 psig (14 inches Water Column).
- If the pressure of the compressed air is more than 1/2 psig (14 inches Water Column), remove the gas supply line from the combination gas valve of the refrigerator before the test.
- If the pressure of the compressed air is equal to or less than 1/2 psig (14 inches Water Column), close the manual shut off valve of the refrigerator before the test.

## Connect the Ice Maker (N10LXIM, and NA10LXIM models)

The ice maker is assembled to the refrigerators at the factory as optional equipment. If the refrigerator does not have a factory installed ice maker, one can not be added to the refrigerator at a later time.

The refrigerator installer must connect a cold water supply line to the solenoid valve at the rear of the refrigerator. The following are necessary to connect the ice maker:

- 1/4 in. OD copper tubing for the water supply line.
- OR
- 1/4 in. OD plastic tubing for the water supply line.
  - 1/4 in. shut off valve in the water supply line. This should be easily accessible through the lower intake vent.

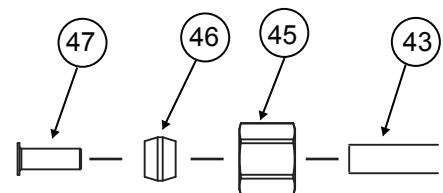
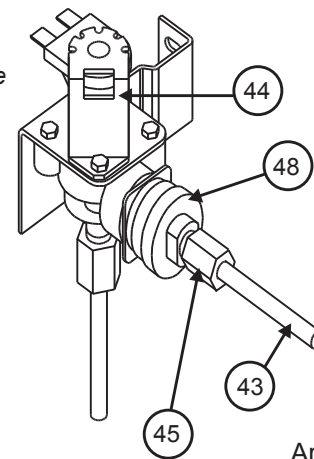
## Connect the water supply line:

Install a 1/4 in. OD water supply line [43] from the water shut off valve of the vehicle to the solenoid water valve [44] at the rear of the refrigerator (See Art 01014):

### NOTICE

A brass compression nut [45], a brass sleeve, a plastic sleeve [46], and a brass insert [47] are supplied and attached to the rear of the refrigerator (See Art 01755).

- Put the compression nut and then the sleeve onto the water supply line [43].
  - For copper tubing, use the brass sleeve.
  - For plastic tubing, use the plastic sleeve [46].
  - For plastic tubing with .040 in. wall thickness, also use the brass insert [47].
  - Flush the water supply line until the water is clear.
- Put the tubing into the water valve until it is against the stop of the adapter.
- Tighten the compression nut by hand (hard finger tight).
- Using two wrenches, tighten the compression nut 1 1/2 to 2 turns.
- Open the water shut off valve of the vehicle.
- Examine the connections for leaks.



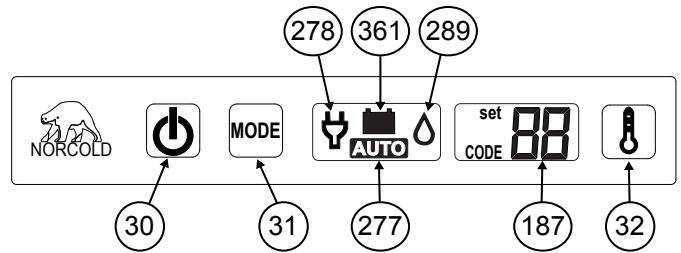
ART 01755



## Operating the Refrigerator Controls

### Automatic Mode Operation:

**NOTICE** Control boards are extremely sensitive. Evidence of tampering or removal from protective case will VOID any warranty.



Art 02629

- Touch and release the ON/OFF button [30] to turn the refrigerator on. (See Art 02629).
- Touch the TEMP SET button [32] as needed to set the temperature setting.
  - Number one (1) shown in the display [187] is the warmest setting.
  - Number nine (9) shown in the display [187] is the coldest setting.
- If the AUTO icon [277] and AC PLUG icon [278] are lit up, it means that:
  - 120 volt AC power is available to the refrigerator.
  - The refrigerator is operating on AC electric power.
  - After ten seconds, the backlight of the display goes off.
- If the AUTO icon and the FLAME icon [289] are lit up, it means that:
  - 120 volt AC power is not available to the refrigerator.
  - The refrigerator is operating on propane gas.
  - After ten seconds, the backlight of the display goes off.

### If neither 120 volts AC nor propane gas are available to the refrigerator :

- The fault codes "no AC" and then "no FL" show in the display and an audible alarm sounds.
  - Refer to the "Fault Codes" section of this manual for any faults displayed.

### If an energy source is available to the refrigerator but is not operating correctly:

- While operating in the Automatic mode, the refrigerators electronic controls will automatically select the energy source using the following priority scheme:
  - 1st choice: AC Electric
  - 2nd choice: LP GAS
  - 3rd choice: DC Electric (3-way refrigerators only)
- When in the Auto mode, if a higher priority choice becomes available (i.e., AC voltage reapplied), the control shall stop using the current mode and switch to the higher priority mode.

### Manual AC Mode Operation:

- Touch and release the ON/OFF button [30] to turn the refrigerator on.
- Touch the MODE button [31] until the AUTO icon goes off and only the AC PLUG icon [278] remains lit.
- Touch the TEMP SET button [32] as needed, to set the temperature setting.
- The AC PLUG icon [278] remains lit until you select a different operating mode or shut down the refrigerator.

**Manual LP GAS Operation:**

- Touch and release the ON/OFF button [30] to turn the refrigerator on.
- Touch the MODE button [31] until the AUTO icon goes off and only the FLAME icon [289] remains lit.
- Touch the TEMP SET button [32] as needed, to set the temperature setting.
- The FLAME icon [289] remains lit until you select a different operating mode or shut down the refrigerator.

**Manual DC Operation:**

- Touch and release the ON/OFF button [30] to turn the refrigerator on.
- Touch the MODE button [31] until the AUTO icon goes off and only the BATTERY icon [361] remains lit.
- Touch the TEMP SET button [32] as needed, to set the temperature setting.
- The Battery icon [361] remains lit until you select a different operating mode or shut down the refrigerator.

**Shut down - All models:**

- To shut down the refrigerator, touch and hold the ON/OFF button for two seconds and release.

## Fault Codes (ALL N10LX AND NA10LX MODELS)

Fault codes	Fault Code Meanings	Corrective Actions
Alternately flashes "no" "FL" with an audible alarm	The burner did not ignite or re-ignite.	Turn the refrigerator power OFF and then back ON to reset. Check: - That the valve of the propane gas tank(s) is open - That the propane gas is at the correct pressure - That the manual shut off valve of the refrigerator gas valve is open - That there is no air in the propane gas supply line - Please see your dealer or authorized Norcold Service Center
Alternately flashes "no" "AC" with an audible alarm	AC voltage is not available to the refrigerator.	Turn the refrigerator power OFF and then back ON to reset. Check: - That the refrigerator is plugged into a serviceable outlet - That the fuse or circuit breaker of the vehicle is intact - That the vehicle generator is operational (if applicable) - Please see your dealer or authorized Norcold Service Center
Alternately flashes "AC" "HE" with an audible alarm	This fault indicates a problem relating to the AC heater.	This is not owner serviceable. Please see your dealer or authorized Norcold Service Center.
Alternately flashes "AC" "rE" with an audible alarm	This fault is within the refrigerator controls.	This is not owner serviceable. Please see your dealer or authorized Norcold Service Center.
Alternately flashes "Lo" "dc"	These faults indicate the DC input voltage to the refrigerator is too low.	Check: - That the battery charging equipment of the vehicle is operational - That the AC/DC converter is operational (if applicable) - Please see your dealer or authorized Norcold Service Center
Alternately flashes "Lo" "dc" with an audible alarm		
Alternately flashes "Lo" "dC" with an audible alarm.		
Alternately flashes "HI" "dc" with an audible alarm.	This fault indicates the DC input voltage to the refrigerator is too high.	Turn the refrigerator power OFF and then back ON to reset. Check: - That the battery charging equipment of the vehicle is operational - That the AC/DC converter is operational (if applicable) - Please see your dealer or authorized Norcold Service Center
Alternately flashes "no" "dt" with an audible alarm.	This fault indicates a loss of communication between the refrigerator controls.	Turn the refrigerator OFF and then back ON to reset. If the fault code continues, please see your dealer or authorized Norcold Service Center.
Displays "Sr" with an audible alarm.	This fault is within the refrigerator electronic controls.	Turn the refrigerator OFF and then back ON to reset. If the fault code continues, please see your dealer or authorized Norcold Service Center.
Alternately flashes "oP" "LI" with an audible alarm.	This fault is within the refrigerator electronic controls.	Turn the refrigerator OFF and then back ON to reset. If the fault code continues, please see your dealer or authorized Norcold Service Center.
Alternately flashes "FL" "- ." with an audible alarm.	This fault indicates a flame is sensed at the burner when there should be none present.	This is not owner serviceable. Please see your dealer or authorized Norcold Service Center.
Temperature setting flashes on/off at one (1) second intervals anytime the user interface (control) is "awake"	The thermistor has been sensed as inoperable, so the temperature is being controlled via backup operating system.	This is not owner serviceable. Please see your dealer or authorized Norcold Service Center.
Blank display	The refrigerator is off or refrigerator will not turn on.	Turn the refrigerator power ON Check: - That the battery charging equipment of the vehicle is operational - That the AC/DC converter is operational (if applicable) - Please see your dealer or authorized Norcold Service Center



# Manuel d'installation

Pour les modèles N10LX et NA10LX de la série Polar 10 : réfrigérateurs de 10 pieds cubes, à double alimentation, pour caravanes avec machine à glaçons.

Les lettres suivant les numéros de modèle ci-dessus désignent une option du réfrigérateur.

## **AVERTISSEMENT**

Une faute d'installation, de réglage, de modification, de réparation ou d'entretien peut causer des préjudices corporels ou matériels. Se reporter à ce manuel. Pour obtenir de l'assistance ou des informations supplémentaires, s'adresser à un installateur qualifié, au service après-vente ou à la compagnie de gaz.

## **AVERTISSEMENT**

### **RISQUE D'INCENDIE OU D'EXPLOSION**

S'il y a une odeur de gaz ou d'ammoniac :

1. Ouvrir les fenêtres.
2. Ne pas tenter d'allumer des appareils.
3. Ne pas toucher aux interrupteurs électriques.
4. Éteindre toute flamme nue.
5. Fermer l'arrivée de gaz.
6. Évacuer immédiatement et appeler les services d'urgence.

Le non-respect de ces instructions pourrait entraîner un incendie ou une explosion, ce qui pourrait causer des dommages matériels, des blessures ou le décès.

### **SÉCURITÉ PERSONNELLE**

Ne pas conserver ni utiliser d'essence ou d'autres liquides inflammables, ou dont les vapeurs peuvent s'enflammer, à proximité de cet appareil ou de tout autre appareil électroménager.

## **AVERTISSEMENT**

NE PAS installer ce réfrigérateur sous le pont dans un bateau. Ne pas installer ce réfrigérateur dans une cabine fixe ou autre zone habitable intérieure. Pour fonctionner correctement et sans danger, ce réfrigérateur doit utiliser uniquement un système à prise d'air extérieur et à ventilation aspirante conçu et agréé par NORCOLD. Toute autre méthode de ventilation pourrait libérer des gaz d'échappement à combustion mortels et (ou) des fumées explosives de gaz propane dans la zone habitable et (ou) sous le pont.

**Français**

## Table des matières

---

Signalisation de la sécurité.....	2
Consignes relatives à la sécurité.....	2
Certification et codes à respecter.....	3
Consignes relatives à la ventilation.....	4
Dimensions importantes du réfrigérateur.....	5
Assemblage de l'enceinte destinée au réfrigérateur.....	5
Installation des bouches de ventilation supérieure et inférieure.....	6
Installation de mur arrière.....	10
Installation des panneaux décoratifs de porte (modèles à portes non métalliques).....	10
Inversion du pivotement de la porte - Portes métalliques (facultatif).....	10
Installation du réfrigérateur.....	12
Connexion des composants électriques.....	12
Branchement à l'alimentation 120 V c.a.....	13
Branchement à l'alimentation 12 V c.c.....	13
Branchement des éléments du gaz propane.....	13
Raccordement du système d'alimentation en gaz propane.....	14
Recherche de fuites dans le système d'arrivée de gaz.....	14
Raccordement de la machine à glaçons.....	15
Branchement du tuyau d'arrivée d'eau.....	15
Utilisation des commandes du réfrigérateur.....	16
Fonctionnement en mode automatique.....	16
Fonctionnement en mode manuel c.a.....	16
Fonctionnement en mode manuel GPL.....	17
Fonctionnement en mode manuel c.c.....	17
Mise à l'arrêt - Tous les modèles.....	17
Codes d'anomalie.....	18

## Signalisation de la sécurité

---

Lire soigneusement ce manuel et en assimiler le contenu avant d'installer le réfrigérateur.

Prendre conscience des risques pour la sécurité signalés par le symbole de mise en garde sur le réfrigérateur et dans ce manuel. Le symbole d'alerte de sécurité est suivi d'un terme précisant la nature du risque en question. Lire soigneusement la description de ces termes de signalement pour apprendre à les différencier. C'est une question de sécurité personnelle.



**AVERTISSEMENT** Ce terme de signalement indique un danger qui, s'il n'est pas pris en compte, peut causer une blessure grave, la mort ou des dégâts matériels.



**ATTENTION** Ce terme de signalement indique un danger qui, s'il n'est pas pris en compte, peut causer une blessure ou des dégâts matériels.

## Consignes relatives à la sécurité

---



- Ce réfrigérateur n'est pas approuvé pour être utilisé comme un réfrigérateur autonome Il est conçu pour fonctionner au gaz propane seulement et ne peut pas être modifié pour utiliser d'autres carburants (gaz naturel, butane, etc.).
- Une faute d'installation, de réglage, de modification ou d'entretien de ce réfrigérateur peut causer des préjudices corporels et (ou) matériels.
- Respectez les instructions de ce manuel pour installer les orifices d'admission et d'évacuation.
- Ne pas installer le réfrigérateur à même un tapis. Le placer sur un panneau de métal ou de bois s'étendant au moins sur toute sa largeur et toute sa profondeur.

**Ne pas laisser quoi que ce soit toucher le système frigorifique du réfrigérateur.**

- **Le gaz propane est susceptible de s'enflammer et de causer une explosion et, par conséquent, des dégâts matériels et des blessures corporelles ou la mort. Ne pas fumer ni faire d'étincelles. Ne pas se servir d'une flamme nue pour rechercher les fuites au tuyau d'arrivée de gaz propane. Toujours se servir de deux clés pour serrer ou desserrer les raccords du tuyau d'arrivée de gaz propane.**
- **S'assurer de la conformité de l'installation électrique à tous les codes applicables. Voir la section « Certification et codes à respecter ».**
- **Ne pas contourner ou modifier les composants ou fonctions électriques du réfrigérateur.**
- **Ne pas vaporiser de liquides près des prises électriques, des raccords ou des pièces du réfrigérateur. Nombre de liquides sont conducteurs et peuvent poser des risques de décharge électrique, de court-circuit, voire même d'incendie.**
- **Le système frigorifique du réfrigérateur est sous pression. Ne pas essayer de réparer ou recharger un système frigorifique défectueux.**
- **Le système frigorifique contient du chromate de sodium. L'inhalation de certains composés du chrome peut causer le cancer. Le système frigorifique contient des produits chimiques qui peuvent causer de graves brûlures à la peau et aux yeux, s'enflammer et brûler avec une flamme intense. Ne pas recourber, faire tomber, souder, déplacer, percer, perforer ou heurter le système frigorifique.**



- **L'arrière du réfrigérateur présente des arêtes vives et des angles coupants. Pour éviter de se couper ou de s'écorcher lors du travail sur le réfrigérateur, faire attention et porter des gants résistant aux coupures.**

## Certification et codes à respecter

---

Ce réfrigérateur est homologué par la section International de l'ACNOR comme conforme à la dernière édition des normes ANSI Z21.19 / ACNOR 1.4 en ce qui concerne l'installation dans des caravanes résidentielles ou véhicules de loisir.

Pour que la garantie limitée Norcold puisse entrer en vigueur, l'installation du réfrigérateur doit être conforme au présent « Manuel d'installation ». De plus, elle doit respecter les éléments suivants, lorsqu'ils sont applicables :



Art01290



### Aux États-Unis et au Canada :

- Les codes locaux, ou à défaut, le code National Fuel Gas Code, les normes ANSI Z223.1/NFPA 54, le code Natural Gas and Propane installation Code, la norme ACNOR B149.1, le code ANSI A119.2 Recreational Vehicles Code et les normes ACNOR Z240 RV Series, Recreational Vehicles.
- L'installation des maisons préfabriquées (caravanes résidentielles) doit être conforme à la norme Manufactured Home Construction and Safety Standard, titre 24 CFR, partie 3 280 [anciennement dénommée Federal Standard for Mobile Home Construction and Safety, titre 24 (partie 280), et à la norme à jour ACNOR Z240.4, Gas-equipped Recreational Vehicles and Mobile Housing.
- Si une source d'alimentation externe est employée, l'appareil électroménager doit, à son installation, faire l'objet d'une mise à la terre électrique conforme aux codes locaux ou, à défaut de tels codes, conforme au code National Electrical code et aux normes ANSI/NFPA 70, ou au Code canadien d'électricité, CSA C22.2. Parties 1 et 2.

Tous les tuyaux et raccords d'arrivée de gaz propane doivent respecter les codes locaux, provinciaux et fédéraux s'appliquant à leurs types et dimensions. Ces éléments doivent également être conformes à la norme à jour NFPA 501C section 2-4, et, au Canada, à la norme à jour CAN 1-6.10.

## Consignes relatives à la ventilation

---



Conditions à satisfaire par l'installation :

- Il doit y avoir un apport d'air frais suffisant pour la combustion.
- L'espace de séjour doit être complètement isolé du système de combustion du réfrigérateur.
- S'assurer que le conduit d'évacuation des gaz de combustion bénéficie d'une ventilation totale et sans restriction, car en mode de fonctionnement au gaz, il peut produire du monoxyde de carbone. L'inhalation de fumées contenant du monoxyde de carbone peut causer des vertiges, des nausées ou, dans les cas extrêmes, la mort.
- S'assurer de l'isolation complète du réfrigérateur par rapport à ses composants produisant de la chaleur en utilisant un jeu approprié de déflecteurs et de panneaux.

Une installation homologuée requiert une prise d'air inférieure et une bouche d'échappement supérieure. Installer la prise d'air et la bouche d'échappement exactement comme décrit dans ce manuel. Toute autre méthode d'installation annulerait à la fois l'homologation et la garantie d'usine du réfrigérateur.

Le bas de l'ouverture de la prise d'air inférieure, qui est aussi la porte d'accès de service, doit être de niveau avec le sol, ou juste en dessous. Ainsi, s'il y a fuite du gaz propane, il s'échappe à l'extérieur au lieu de s'accumuler au niveau du sol.

En vertu de l'homologation de la section International de l'ACNOR, il peut y avoir un dégagement nul sur les côtés, l'arrière, le haut et le bas du réfrigérateur. Alors qu'aucun dégagement maximum n'est spécifié par l'homologation, le réfrigérateur ne peut fonctionner correctement que si les dégagements maximum suivants sont respectés :

Bas	0 pouce min.	0 pouce max.
De chaque côté	0 pouce min.	1/2 pouce max.
Haut	0 pouce min.	1/4 pouce max.
Arrière	0 pouce min.	1 pouce max.

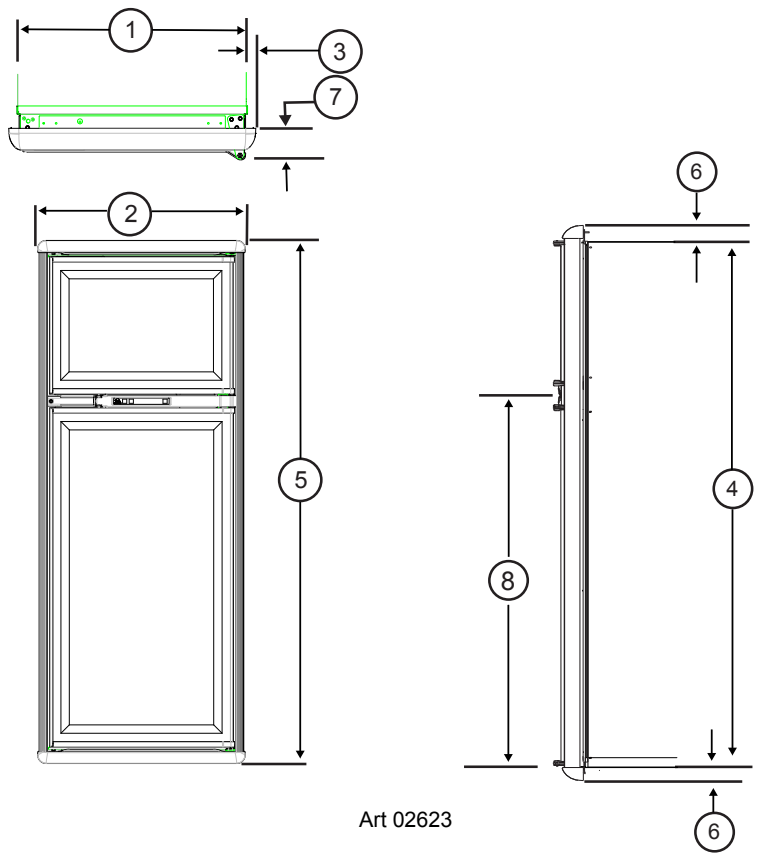
Ces dégagements ainsi que la prise d'air inférieure et la bouche d'échappement supérieure entraînent l'écoulement d'air naturel requis pour une bonne réfrigération. De l'air plus froid entre par la prise d'air inférieure, monte en traversant les serpentins du réfrigérateur où il élimine l'excédent de chaleur des composants du réfrigérateur et il sort par la bouche d'échappement supérieure. Si ce flux d'air est obstrué ou restreint, le réfrigérateur ne fera pas son travail comme il faut.

Le système de ventilation de chaque modèle NORCOLD est homologué par la section International de l'ACNOR. Installer uniquement les bouches de ventilation homologuées qui sont spécifiées dans ce manuel.

## Dimensions importantes du réfrigérateur

Ces dimensions clés du réfrigérateur sont données à titre de référence en cas de besoin (voir Art. 02623).

Largeur de la caisse du réfrigérateur sans garniture : 23,25 po max.....	1
Largeur totale du réfrigérateur avec garniture : 24,75 po .....	2
Distance entre la caisse du réfrigérateur et la garniture latérale : 0,82 po .....	3
Hauteur de la caisse du réfrigérateur sans garniture : 59,62 po. max.....	4
Hauteur totale du réfrigérateur avec garniture : 62,41 po .....	5
Distance entre la caisse du réfrigérateur et : la garniture supérieure 1,30 po .....	6
la garniture inférieure 1,37 po .....	6
Distance entre la paroi de l'enceinte et les charnières : 3,20 po .....	7
Distance entre la caisse du réfrigérateur et le centre des poignées : 41,5 po .....	8



Art 02623

## Assemblage de l'enceinte destinée au réfrigérateur

1. S'assurer que l'enceinte est de 59,88 à 60,01 po de hauteur x 23,50 à 23,63 po de largeur x 24 po de profondeur.
2. Vérifier que le plancher est solide et horizontal.
  - Il doit s'agir d'un plancher métallique ou d'un panneau de bois s'étendant au moins sur toute la largeur et toute la profondeur de l'enceinte.
  - Le plancher doit pouvoir supporter le poids du réfrigérateur et de son contenu.
3. S'assurer qu'il n'y a pas de sources de chaleur adjacentes, telles que bouches de ventilation de chauffage ou de chauffe-eau.
4. S'il y a plus de 1/2 po entre un côté du réfrigérateur et l'intérieur de l'enceinte :
  - Remplir l'espace d'isolant en fibre de verre ou ajouter un déflecteur pour éliminer le dégagement excédentaire.
    - Assurer que l'arrière de l'isolant en natte se trouve entre 18 et 19 po de la face de l'enceinte.
    - Bien fixer l'isolant en natte à l'enceinte de façon à ce qu'il reste dans cette position durant l'installation du réfrigérateur, s'il devient mouillé et s'il y a du vent.



## Installation des bouches de ventilation supérieure et inférieure

1. En se servant du tableau suivant, décider des tailles de bouches de ventilation et de découpes (D) à utiliser :

Bouche de ventilation certifiée	P/N	Hauteur SO	Largeur SO
Came d'échappement supérieure de toit	622293	S/O	S/O
Bouche d'échappement supérieure de toit	616319	24 po	5 1/4 po
Bouche d'échappement supérieure et prise d'air inférieure	621156 / 637615	13 3/4 + 1/8-0po	21 1/2 + 1/8-0po
Prise d'air inférieure du coin carré	616010	9 3/4 po	19 3/8 po

Le RO doit être carré. Les mesures diagonales du RO doivent être inférieures à 1/16 pouce. L'évent doit être centré sur la largeur du récepteur.

2. Installation de la prise d'air inférieure (voir Art. 02638, 02696 et 02697) :

**AVIS**

La prise d'air inférieure sert également d'ouverture d'accès aux composants à l'arrière du réfrigérateur.



**Veiller à ce que le bas de l'ouverture de la prise d'air inférieure soit de niveau avec le sol, ou juste en dessous. Ainsi, s'il y a fuite de gaz propane, il s'échappe à l'extérieur au lieu de s'accumuler au niveau du sol.**

- Veiller à ce que le bas de l'ouverture de la prise d'air inférieure [9] soit de niveau avec le sol, ou juste en dessous.
- Aligner la prise d'air inférieure verticalement sous les serpentins [10] et le condenseur [11] du réfrigérateur.

3. Installer la bouche d'échappement supérieure :

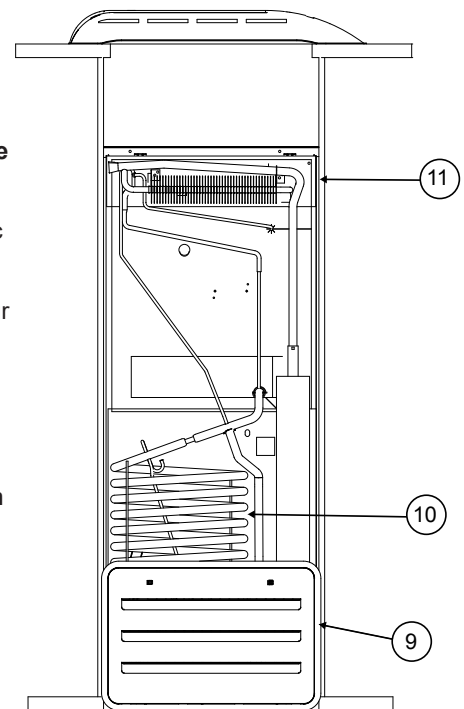


**S'assurer de l'absence de sciure, de matériau d'isolation ou d'autres débris de construction sur le réfrigérateur ou dans l'enceinte. Les débris peuvent poser un danger de combustion et empêcher le fonctionnement correct du réfrigérateur.**

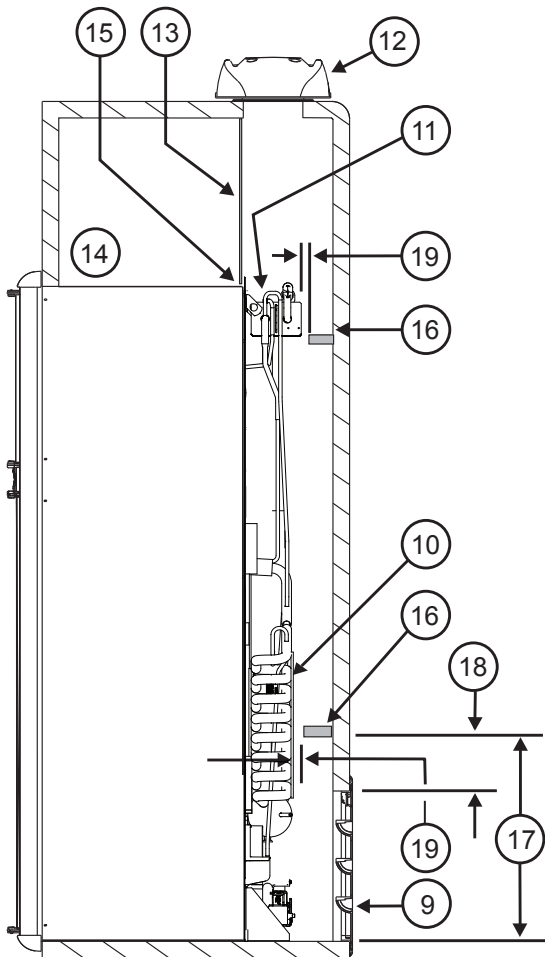
**AVIS**

Serrer les vis de la came d'échappement supérieure du toit à 10 po-lb max. S'assurer également que l'écoulement d'air autour de la came d'échappement supérieure du toit n'est pas partiellement ou totalement restreint par d'autres articles montés sur le toit tels que porte-bagages, climatiseur, panneau solaire, etc.

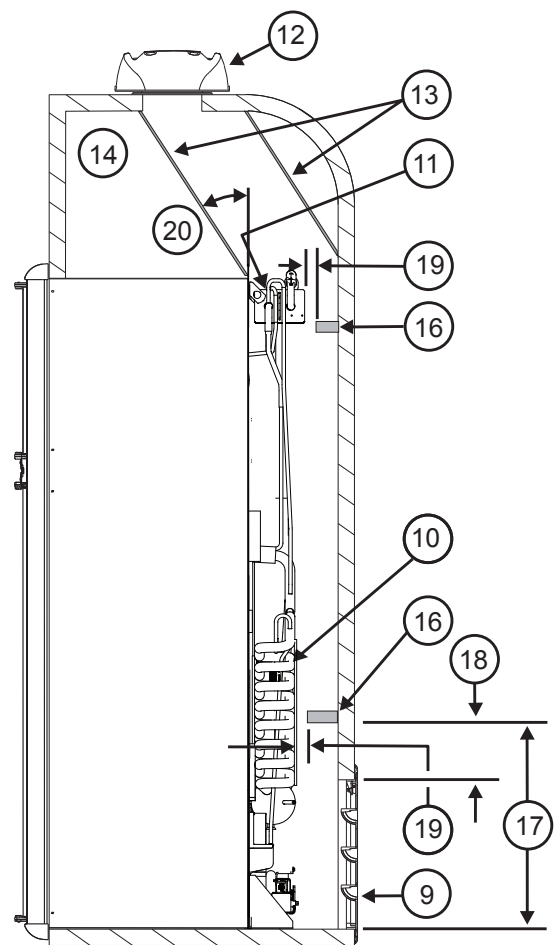
- Si la conception du véhicule le permet, installer la bouche d'échappement de toit [12] juste au-dessus du condenseur [11] du réfrigérateur (voir Art. 02696) :
  - Installer un déflecteur [13] pour éviter tout air chaud stagnant dans l'espace [14] situé au-dessus du réfrigérateur.
    - Veiller à ce qu'il y ait un dégagement de moins de 1/4 po [15] entre le déflecteur et le haut du réfrigérateur.
    - Veiller à ce que le déflecteur fasse toute la largeur de l'intérieur de l'enceinte.
- Si la conception du véhicule empêche l'installation de la bouche d'échappement de toit juste au-dessus du condenseur [11] du réfrigérateur (voir Art. 02697) :
  - Aligner la bouche d'échappement du toit [12] au-dessus du condenseur [11] du réfrigérateur et la déplacer vers l'intérieur selon le besoin.
  - Installer deux déflecteurs [13] pour éviter tout air chaud stagnant dans l'espace [14] situé au-dessus du réfrigérateur.
    - Veiller à ce que les déflecteurs fassent toute la largeur de l'intérieur de l'enceinte.



Art 02638

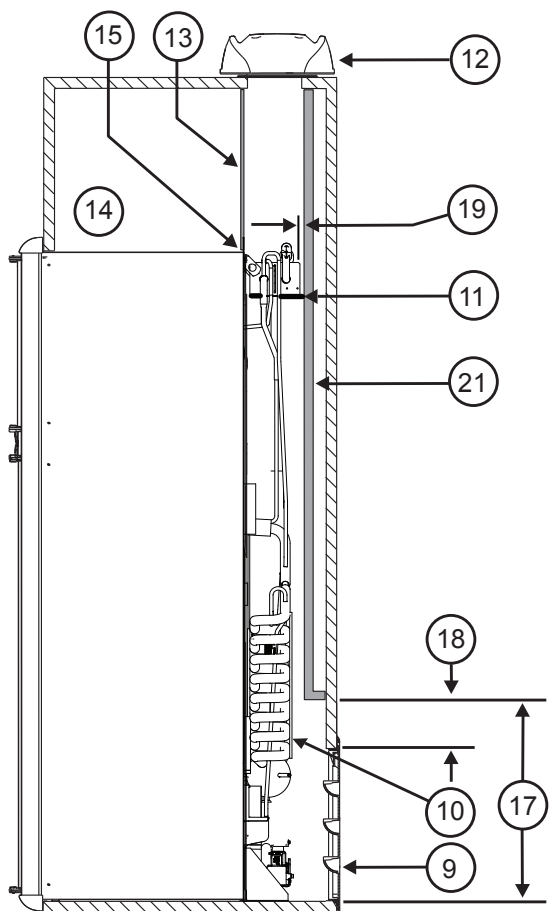


Art02696

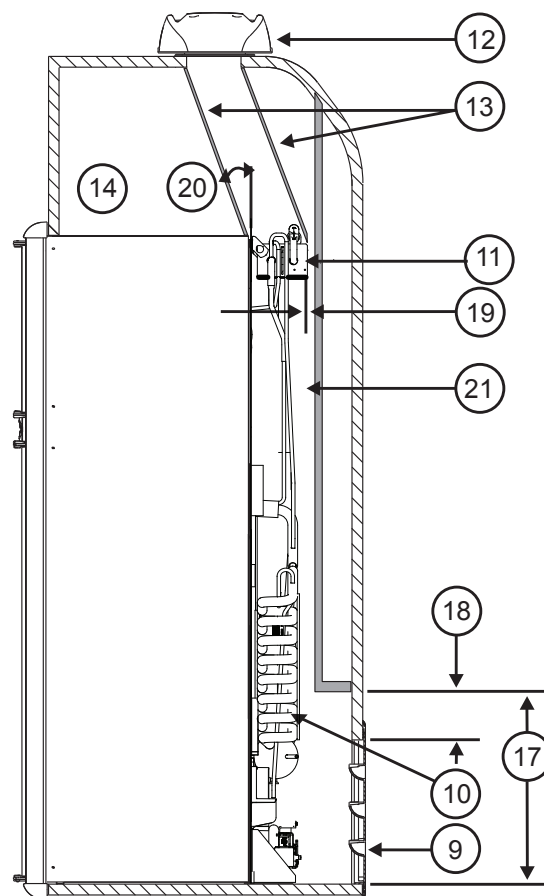


Art02697

- S'assurer que les déflecteurs ne sont pas à plus de 45° de la verticale [20].
- Mettre un déflecteur entre le bord supérieur arrière du réfrigérateur et le bord intérieur de l'ouverture de la bouche d'échappement supérieure.
- Placer l'autre déflecteur entre le bord extérieur de l'ouverture de la bouche d'échappement supérieure et la paroi latérale du véhicule.
- Si la profondeur de l'enceinte est de 24 po ou davantage mais moins de 25 po, aucun déflecteur n'est nécessaire à l'arrière de l'enceinte.
- Si la profondeur de l'enceinte est de 25 po ou davantage, mais moins de 26 po, ajouter deux déflecteurs [16] à l'arrière de l'enceinte (voir Art. 02696 et 02697).
  - Placer un déflecteur entre 18 po et 18 1/2 po au-dessus du bas de l'enceinte [17] (4 1/4 po à 4 3/4 po au-dessus du haut de l'ouverture de la prise d'air inférieure REF) [18].
  - Placer l'autre déflecteur au bord le plus bas du condenseur [11] du réfrigérateur.
    - Veiller à ce que les déflecteurs soient à 1 po ou moins [19] des serpentins [10] et du condenseur [11] du réfrigérateur.
    - Veiller à ce que les déflecteurs fassent toute la largeur de l'intérieur de l'enceinte.



Art02694



Art02695

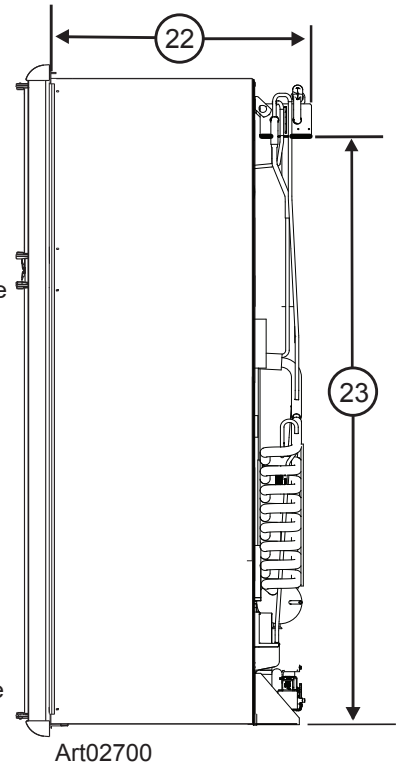
- Si la profondeur de l'enceinte est de plus de 26 po, installer un déflecteur en forme de boîte pleine, en bois, en aluminium ou en tôle galvanisée [21] à l'arrière de l'enceinte (voir Art. 02694 et 02695).
  - S'assurer que le bas du déflecteur en forme de boîte pleine se trouve entre 18 po et 18 1/2 po au-dessus du bas de l'enceinte [17] (4 1/4 po à 4 3/4 po au-dessus du haut de l'ouverture de la prise d'air inférieure REF) [18].
  - Veiller à ce que l'arrière du déflecteur en forme de boîte pleine soit perpendiculaire au bas de l'enceinte.
  - Veiller à ce que l'arrière du déflecteur en forme de boîte pleine soit contre le haut de l'enceinte ou contre le déflecteur incliné [13] (selon la conception du véhicule).
    - Veiller à ce que le déflecteur en forme de boîte pleine soit à 1 po ou moins [19] des serpentins [10] et du condenseur du réfrigérateur.
    - Veiller à ce que le déflecteur en forme de boîte pleine fasse toute la largeur de l'intérieur de l'enceinte.

- Si la conception du véhicule empêche l'installation d'une bouche d'échappement de toit, installer une bouche d'échappement supérieure de paroi latérale.

**AVIS**

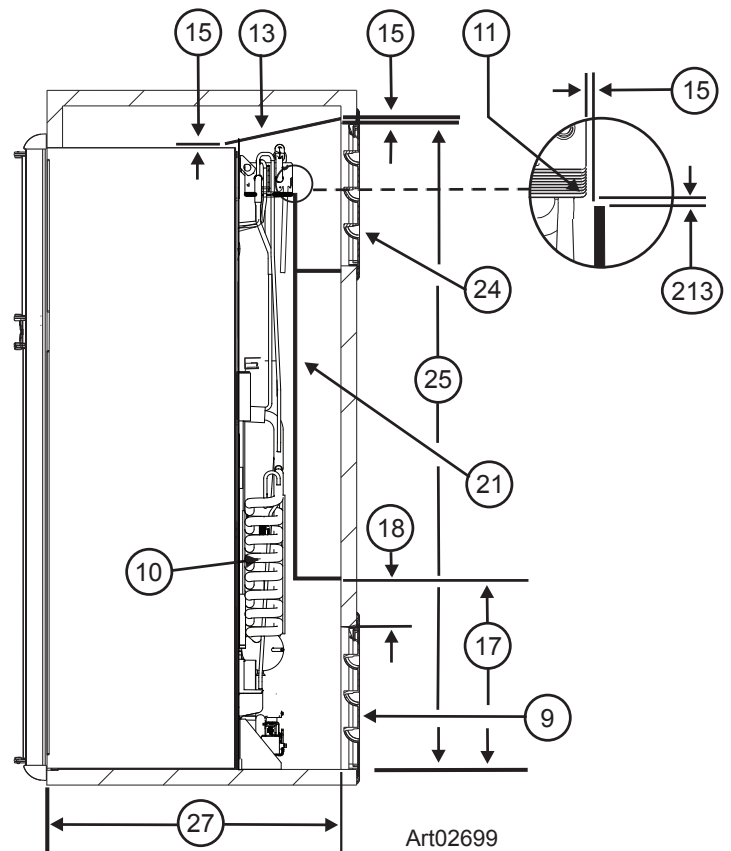
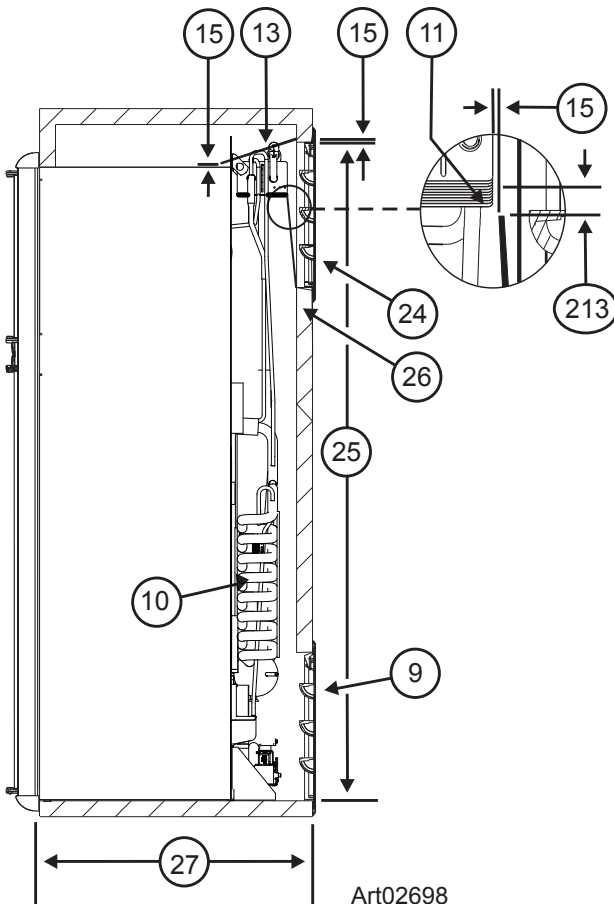
*Le réfrigérateur mesure entre 23,7 po min. et 24,0 po max. de l'arrière du disjoncteur jusqu'à l'arrière du condenseur [22] et entre 54,1 po min. et 54,4 po max. du bas du réfrigérateur jusqu'au bas du condenseur du réfrigérateur [23] (voir Art. 02700).*

- Poser la bouche d'échappement supérieure de paroi latérale [24] (voir Art. 02698 et 02699).
- S'assurer que la distance [25] entre le bas de l'enceinte et le haut de la découpe de la bouche d'échappement supérieure est d'au moins 62 po.
- Aligner la bouche d'échappement supérieure à l'horizontale au-dessus de la prise d'air inférieure [9] du réfrigérateur.
- Afin d'éviter tout air chaud stagnant dans l'espace au-dessus du réfrigérateur, installer un déflecteur en aluminium ou en tôle galvanisée [13] entre le haut du réfrigérateur et le haut de la bouche d'échappement supérieure.
  - Veiller à ce qu'il y ait un dégagement de moins de 1/4 po entre le déflecteur et le haut du réfrigérateur [16] et que le déflecteur chevauche le réfrigérateur de 1 po ou moins.
  - S'assurer que le déflecteur se trouve contre la paroi du véhicule en haut de la bouche d'échappement supérieure et à 1/4 po ou moins du haut de l'ouverture de cette bouche [15].
  - Veiller à ce que le déflecteur fasse toute la largeur de l'intérieur de l'enceinte.



- Lors de l'utilisation d'une bouche d'échappement de paroi latérale supérieure :

- Si la profondeur de l'enceinte est de plus de 24 po et de moins de 26 po [27], installer un déflecteur cintré en aluminium ou en tôle d'acier galvanisé [26] à l'arrière de l'enceinte (voir Art. 02698).



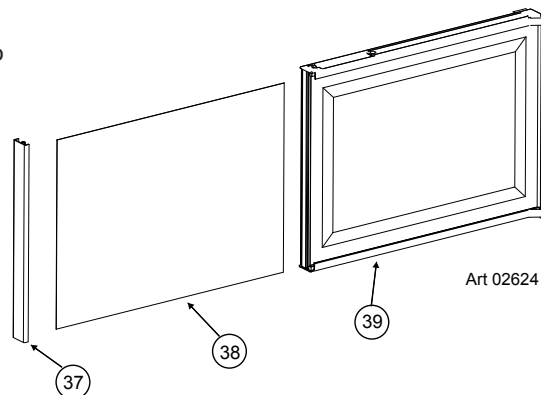
- Veiller à ce que la courbure du déflecteur fasse toute la largeur de l'intérieur de l'enceinte.
- S'assurer que la courbure du déflecteur affleure le bord inférieur du cadre de la porte de la bouche de prise d'air supérieure.
- S'assurer que le bord supérieur du déflecteur se trouve 1/4 po [213] au-dessous du bas du condenseur et qu'il y a un dégagement [15] de 1/4 ou moins entre l'arrière du condenseur et le déflecteur.
- Si la profondeur de l'enceinte est de plus de 26 po [27], installer un déflecteur en forme de boîte pleine en bois, en aluminium ou en tôle d'acier galvanisé [21] entre la prise d'air inférieure et la bouche d'échappement supérieure (voir Art. 02699).
  - Veiller à ce que le déflecteur en forme de boîte pleine fasse toute la largeur de l'intérieur de l'enceinte.
  - S'assurer que le bas du déflecteur en forme de boîte pleine se trouve entre 18 po et 18 1/2 po au-dessous du bas de l'enceinte [17] (4 1/4 po à 4 3/4 po au-dessus du haut de l'ouverture de la prise d'air inférieure REF) [18].
  - Veiller à ce que l'arrière du déflecteur en forme de boîte pleine soit perpendiculaire au bas de l'enceinte.
  - S'assurer que la partie supérieure horizontale du déflecteur en forme de boîte pleine affleure le bord inférieur de la bouche d'échappement supérieure [24].
  - Assurez-vous que le bord supérieur horizontal de la perplexité est de 1/2 pouce [213] ou moins en dessous et 1/4 pouce ou moins derrière le coin inférieur arrière du condenseur.
  - Veiller à ce qu'il y ait un dégagement de moins de 1/4 po [15] entre l'arrière du condenseur et le déflecteur.

## Installation des panneaux décoratifs de porte

**AVIS**

*Les portes sont conçues pour accepter des panneaux décoratifs. Les panneaux décoratifs doivent être d'une épaisseur maximum de 3/16 po. Installer les panneaux décoratifs de porte sur les portes du réfrigérateur, avant d'installer le réfrigérateur dans le véhicule.*

- Faire un panneau de porte supérieur de 21 19/32 po de largeur et 15 17/32 po de hauteur.
- Faire un panneau de porte inférieur de :
  - 21 19/32 po de largeur et 39 5/8 po de hauteur.
  - Tirer sur le dispositif de retenue [37] du panneau pour le séparer de chaque porte (voir Art. 02624).
- Pousser le panneau décoratif de porte [38] dans les fentes [39] de la porte.
- Enfoncer chaque dispositif de retenue de panneau dans la fente située en bordure de la porte.



## Installation de mur arrière

Pour les installations murales arrière s'il vous plaît se référer à des instructions spéciales 620918 pour les instructions supplémentaires requises.

## Inversion du pivotement de la porte (facultatif)

Ce réfrigérateur est équipé de charnières de caisse vous permettant de changer le sens d'ouverture de la porte. Il est recommandé de le faire avant d'installer le réfrigérateur dans l'enceinte.

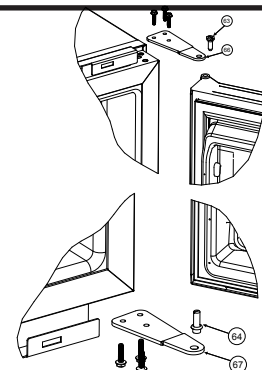
1. Retirer les portes (voir Art. 02683) :

- Retirer les bacs de rangement des portes.

**AVIS**

*Ne pas intervertir les axes des charnières supérieures et inférieures, ils ne sont pas interchangeables.*

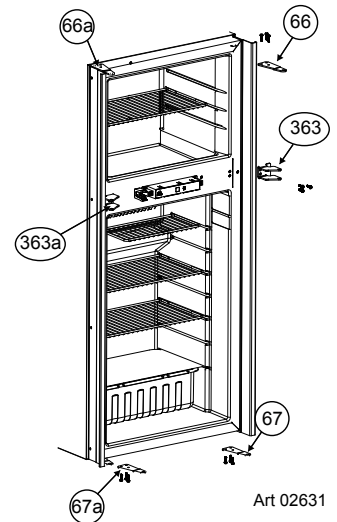
- Retirer et conserver l'axe de charnière supérieure [63] de chaque charnière.
- Tirer sur le loquet des portes et retirer chacune d'elles du réfrigérateur.
- Retirer et conserver l'axe de charnière inférieure [64] de chaque charnière.



ART 02683

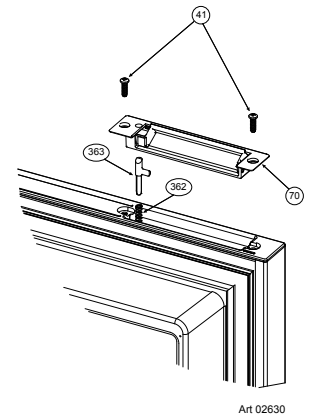
2. Changer la position des charnières de la caisse et de la gâche et retirer le boîtier de commande (voir Art. 02631).

- Retirer et conserver les vis de la gâche et de l'obturateur de trou.
- Retirer la charnière centrale [363] et les vis.
- Retourner la charnière centrale [363a] et la réinstaller de l'autre côté de la caisse.
- Retirer et conserver les vis de la charnière supérieure [66] de la caisse.
- Placer la charnière de l'autre côté du réfrigérateur [66a].
- Fixer la charnière à l'aide des vis.
- Incliner la caisse sur le côté pour permettre l'accès aux vis de la charnière inférieure.
- Retirer et conserver les vis de la charnière inférieure de la caisse [67].
- Placer les charnières de l'autre côté du réfrigérateur [67a].
- Fixer la charnière à l'aide des vis.
- Installer la gâche et l'obturateur de trou à l'aide de vis de l'autre côté de la commande.
- Faire pivoter le boîtier de commande à 180° et le placer du côté opposé des commandes (voir Art. 02636 et 02635).
- Clipser le boîtier de commande au réfrigérateur.



3. Changer la position des poignées de porte (voir Art. 02630) :

- Retirer les vis [41], la poignée de porte [70], la goupille de verrouillage [363] et le ressort [362] de chaque porte.
- Placer la poignée de porte inférieure sur la porte supérieure et celle de la porte supérieure sur la porte inférieure.
- Fixer chaque poignée à l'aide des vis.



4. Réinstaller les portes (voir Art. 02683) :

- Visser les axes de charnière inférieure dans les charnières inférieures de la caisse.

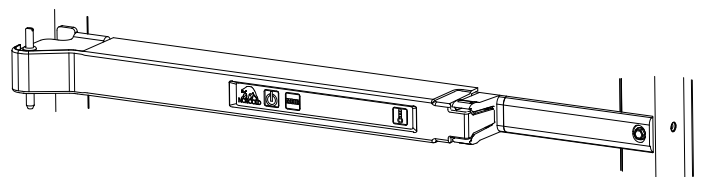
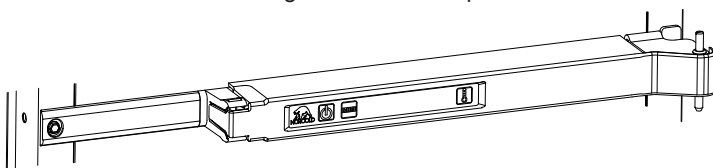


*Afin d'éviter tout endommagement du filetage des axes de charnière, les serrer à fond à la main avant de les serrer davantage à l'aide d'un tournevis.*



**Appliquer de l'adhésif frein-filet enlevable Loctite (bleu) sur le filetage des vis de charnière avant le montage afin d'empêcher tout desserrement en cours d'utilisation. Faire en sorte que le Loctite n'entre en contact avec aucune des surfaces en plastique du réfrigérateur, car cela pourrait endommager ces surfaces.**

- Poser chaque porte sur l'axe de charnière inférieure.
- Aligner les trous des charnières supérieures et maintenir dans cette position.
- Visser l'axe de charnière supérieure dans les charnières de chaque porte.
- Serrer les axes de charnière.
- Placer les bacs de rangement dans les portes.



## Installation du réfrigérateur

1. Placer le réfrigérateur en position (voir Art. 02646, 01688 et 01689) :

### **AVERTISSEMENT**

S'assurer que le joint de combustion [28] n'est pas rompu, qu'il entoure complètement les brides de montage du réfrigérateur et qu'il sépare ces brides de la paroi de l'enceinte. Si le joint est interrompu, des gaz d'échappement peuvent s'infiltrer dans l'habitacle du véhicule. L'inhalation de gaz d'évacuation peut causer des vertiges, des nausées ou, dans les cas extrêmes, la mort.

### **AVIS**

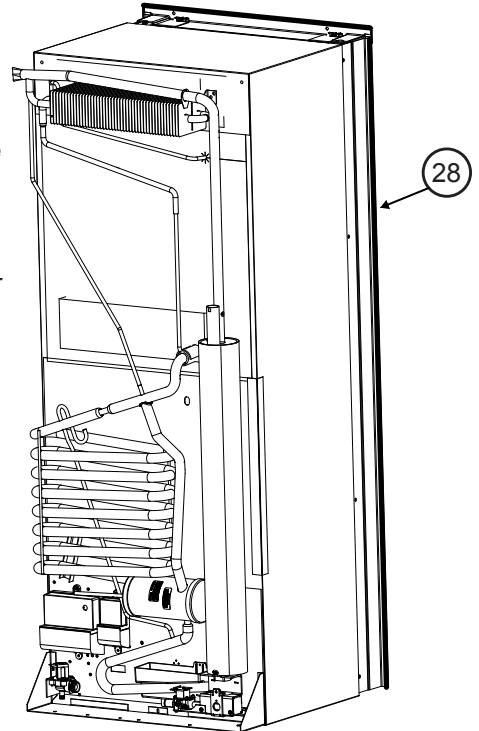
Faire attention lors du positionnement du réfrigérateur. Le réfrigérateur est muni de panneaux isolants sous vide. S'ils sont percés, ces panneaux perdent de leurs propriétés isolantes, ce qui réduit les performances du réfrigérateur.

- Pousser complètement le réfrigérateur dans l'enceinte.
  - Insérer deux vis de montage [41] à travers la bride de montage inférieure [211] située à l'avant du réfrigérateur et dans la paroi de l'enceinte.
  - Insérer deux vis de montage [41] à travers la bride de montage supérieure [210] située à l'avant du réfrigérateur et dans la paroi de l'enceinte.
2. Fixez le support de la charnière (Voir art02764, art02765 et art02766) :

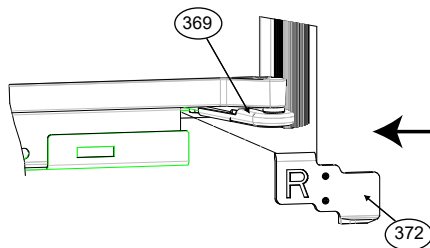
### **AVIS**

Les images présentées dans cette section supposent que les charnières de porte sont placées sur le côté droit du réfrigérateur. Si les charnières sont du côté gauche, retournez le gabarit et faites-le pivoter de 180 degrés, puis suivez cette procédure.

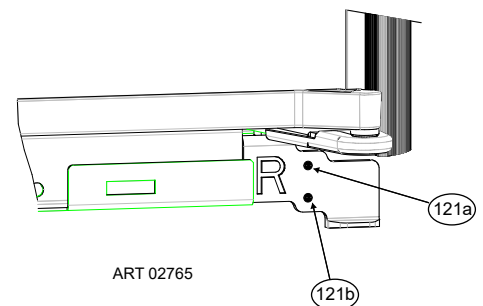
- Faites glisser le gabarit [372] en position comme illustré. Le support inférieur du réfrigérateur et le boîtier localiseront le modèle. Retirez le cache de charnière en plastique [369] si nécessaire.
- En utilisant le modèle comme guide, marquez les deux trous de montage du support [121a, 121b] sur la face du boîtier.
- Retirez le gabarit et percez deux trous de 7/64 pouces de diamètre aux emplacements marqués sur la face du boîtier.
- Utilisez deux vis de montage [41] pour fixer le support de support de charnière [373] à la paroi du boîtier. Rattachez le couvercle de charnière en plastique si nécessaire.



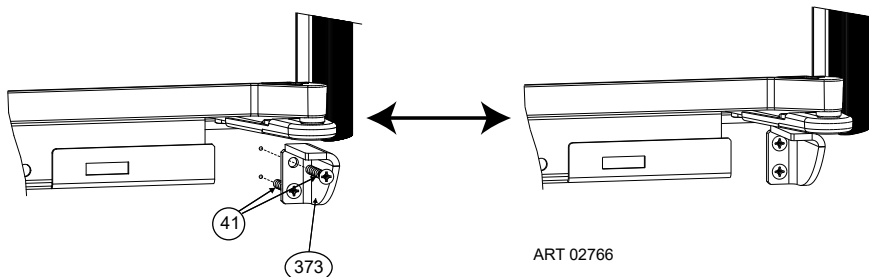
Art 02646



ART 02764



ART 02765



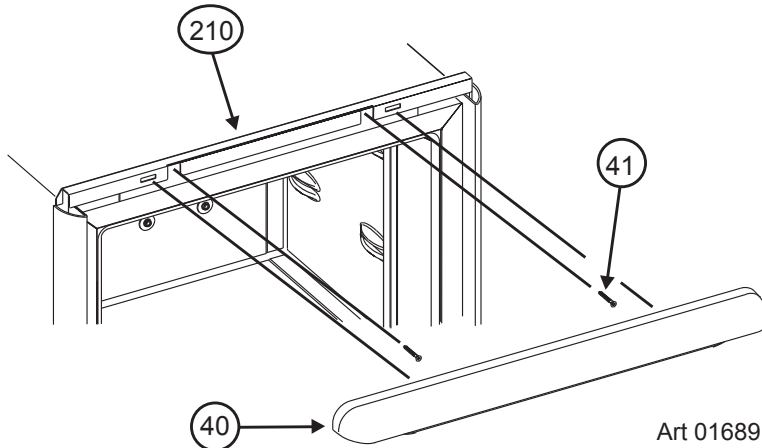
ART 02766

### 3. Installer les garnitures supérieure et inférieure :

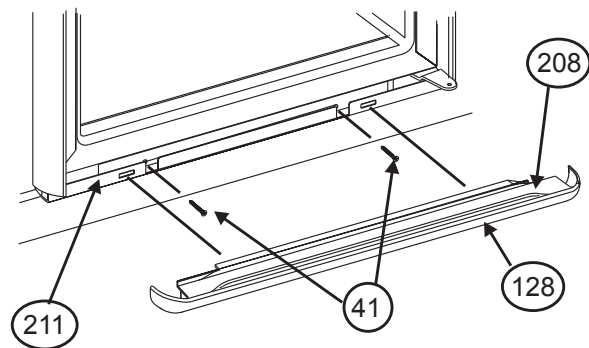


Ces garnitures sont différentes. S'assurer que l'encoche [208] située dans les garnitures supérieure et inférieure s'adapte bien aux charnières supérieure et inférieure de la caisse du réfrigérateur.

- Aligner les pattes de chaque garniture sur les trous rectangulaires de chaque bride de montage.
- Pousser la garniture inférieure [128] sur l'avant de la bride de montage inférieure [211] jusqu'à ressentir l'emboîtement des deux extrémités et entendre un « dé clic ».
- Pousser la garniture supérieure [40] sur l'avant de la bride de montage supérieure [210] jusqu'à ressentir l'emboîtement des deux extrémités et entendre un « dé clic ».
- Insérer des vis à travers la bride de montage à l'arrière du réfrigérateur et dans le plancher.



Art 01689



Art 01688

## Connexion des composants électriques

Fonctionnement c.a. 120 volts tension c.a. (132 volts max. - 108 volts min.)

Fonctionnement c.c. 12 volts tension de commande c.c. (16 volts max. - 10,5 volts min.)

Ce réfrigérateur fonctionne sur ces sources électriques. Le fonctionnement en dehors des limites indiquées peut endommager les composants du circuit électrique du réfrigérateur et annulera la garantie.



L'arrière du système de refroidissement du réfrigérateur comporte des surfaces chaudes et des surfaces coupantes susceptibles d'endommager le câblage électrique. S'assurer qu'il y a un bon dégagement entre tout le câblage électrique et le système de refroidissement du réfrigérateur. Placer tout le câblage électrique situé à l'intérieur de l'enceinte du réfrigérateur du côté opposé à celui du brûleur du réfrigérateur. Ne faire passer aucun câblage électrique à travers la bouche d'échappement du toit. Tout mauvais positionnement du câblage électrique peut entraîner des chocs électriques ou un incendie.



## Branchement à l'alimentation 120 V c.a. :



Brancher le(s) cordon(s) d'alimentation c.a. uniquement dans une prise à trois lames avec masse. Ne pas retirer le contact de terre rond des cordons d'alimentation c.a. Ne pas utiliser un adaptateur à deux lames ou une rallonge avec les cordons d'alimentation c.a. L'utilisation du réfrigérateur sans masse appropriée peut causer des chocs électriques dangereux ou la mort en cas de contact avec les parties métalliques du réfrigérateur.

Brancher le(s) cordon(s) d'alimentation c.a. dans une prise à trois lames avec masse :

- S'assurer que la prise se trouve à portée facile de la prise d'air inférieure.
- Veiller à ce que le ou les cordons d'alimentation n'entrent pas en contact avec le couvercle du brûleur, le conduit de fumée ou tout composant brûlant qui risquerait d'endommager le matériau d'isolation des cordons.

## Branchement à l'alimentation 12 V c.c. :

Le calibre de fil et la taille du fusible utilisés doivent être d'autant plus grands que le réfrigérateur est éloigné de la batterie du véhicule. Si le fil est de calibre trop petit pour la distance, une chute de tension se produit. La chute de tension réduit la tension c.c. d'entrée sur le tableau de commande principale, ce qui pourrait ensuite affecter les performances de refroidissement.

1. Déterminer le calibre minimum de fil et la taille maximum de fusible à utiliser :



Si des fils et (ou) fusibles de taille incorrecte sont employés, l'installation électrique risque de prendre feu.

- Sur les modèles double alimentation, utiliser au moins un fil de calibre 18 AWG et un fusible de capacité maximum 6 A.
  - Sur les modèles triple alimentation, mesurer la distance entre la batterie du véhicule et le réfrigérateur.
    - Si la distance est de 0 à 20 pi, utiliser au moins un fil de calibre 10 AWG et un fusible de capacité maximum 30 A.
    - Si la distance est de plus de 20 pi, utiliser au moins un fil de calibre 8 AWG et un fusible de capacité maximum 40 A.
  - Si le fil est de calibre supérieur à la taille minimum, utiliser un fusible conforme à la norme RVIA A119.2 ou aux codes locaux.
2. Installer un fusible parmi les fils d'alimentation c.c. entre la batterie et le réfrigérateur :

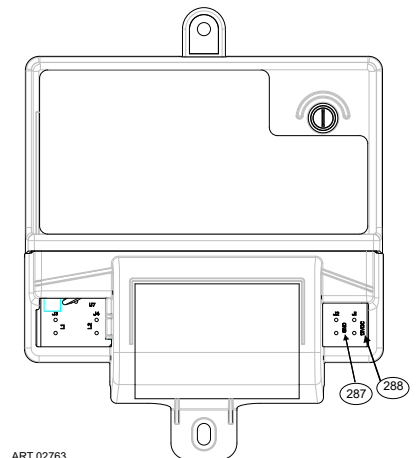
- Mettre le fusible aussi près que possible de la batterie.

3. Brancher les fils d'alimentation c.c. (voir Art. 02763) :

- Poser un raccord rapide 1/4 po sur chaque fil d'alimentation c.c.
- Pousser le fil d'alimentation c.c. positif sur la borne de la carte d'alimentation marquée 12VDC (V c.c.) [288].
- Pousser le fil d'alimentation c.c. positif sur la borne de la carte d'alimentation marquée GND (mise à la terre) [287].
- S'assurer que chaque fil d'alimentation c.c. se trouve sur la borne de polarité correcte.

**AVIS**

Ne pas utiliser le châssis du réfrigérateur ou celui du véhicule comme conducteur. Relier les fils d'alimentation c.c. uniquement à la batterie et aux bornes d'entrée du tableau de commande principal [287 et 288].



## Branchement des éléments du gaz propane

Ce réfrigérateur fonctionne au gaz propane à une pression de 11 po de colonne d'eau.

Les commandes fonctionnent sur un courant de 12 volts c.c. (10,5 volts min. à 16 volts max.). Le fonctionnement en dehors de ces limites peut endommager les composants du circuit électrique du réfrigérateur et annulera la garantie.

## Raccordement du système d'alimentation en gaz propane :



Faire preuve de grande prudence lors de l'intervention sur le système de gaz propane ou du travail à proximité.

- Ne pas fumer, ni utiliser une flamme nue à proximité du système de gaz propane.
- Ne pas se servir d'une flamme nue pour rechercher les fuites.
- Ne pas brancher le réfrigérateur à la bouteille de gaz propane en l'absence d'un manodétendeur entre les deux.
- Pour éviter une fuite de gaz propane, toujours se servir de deux clés pour serrer ou desserrer les raccords du tuyau d'arrivée de gaz propane.
- Le gaz propane qui s'échappe risque de s'enflammer ou d'exploser, d'où le risque de blessures graves ou mortelles.

### Branchement du tuyau d'arrivée de gaz au réfrigérateur :

- S'assurer que tous les tuyaux et raccords respectent les codes locaux, provinciaux et fédéraux s'appliquant à leurs types et dimensions.
- S'assurer que tous les raccords métalliques souples sont conformes à la Norme actuelle CAN1-6.10.
- S'assurer que les matériaux utilisés pour le tuyau d'arrivée de gaz respectent à la fois les normes actuelles ANSI A 119.2 (NFPA 1192) et CSA Z240 pour les véhicules récréatifs. Norcold recommande l'utilisation d'un tube en cuivre de 3/8 po comme tuyau d'arrivée de gaz et requiert un raccord mâle conique de 3/8 po SAE (UNF 5/8-18) comme connexion avec le réfrigérateur.
- Faire remonter le tuyau d'arrivée de gaz propane par le plancher de l'enceinte.
- Veiller à ce que le trou à travers le plancher soit suffisamment grand pour permettre un dégagement suffisant pour le tuyau d'arrivée de gaz.
- Placer un joint résistant aux intempéries (œillet, matériau d'étanchéité, etc.) autour du tuyau d'arrivée de gaz là où il traverse le plancher, afin d'éviter toute vibration et abrasion.
- S'assurer que le tuyau d'arrivée de gaz propane n'interfère pas avec le retrait du couvercle de la boîte du brûleur ni ne bloque l'ouverture de la porte de celui-ci.
- Pour éviter les vibrations et le frottement, veiller à ce que le tuyau d'arrivée de gaz ne touche rien dans l'enceinte.
- Brancher le tuyau d'arrivée de gaz au robinet de gaz mixte du réfrigérateur.

Pour éviter le filetage croisé et le dénudage des therads en aluminium 5/8/-18 de l'ensemble de rampe de gaz du réfrigérateur pendant le processus d'installation, veuillez suivre ces étapes :

Outils nécessaires : clé 7/8" - pour le raccord de la conduite d'alimentation en gaz et clé 3/4" pour l'assemblage du circuit de gaz.

- Vissez à la main le raccord de la conduite d'alimentation en gaz [A] sur l'ensemble rampe gaz [B] jusqu'à ce qu'il soit serré à la main.
- Appliquez les repères de calage [C] sur le raccord de la conduite d'alimentation en gaz et l'ensemble de rampe de gaz. Reportez-vous à la figure 1.
- Utilisez la technique de la clé double pour éviter de tordre le cadre de l'ensemble rampe gaz. Reportez-vous à la Fig. 2. Si la rampe de gaz est pliée ou tordue, elle DOIT être remplacée.
- À l'aide de deux (2) clés, serrez au 1/8 de tour de plus. Reportez-vous à la Fig.3.



**Utilisez toujours deux clés pour serrer ou desserrer les raccords de gaz propane. Les connexions, la tuyauterie et les composants endommagés créent un potentiel de fuite de gaz. e gas connections. Damaged connections, piping, and components create the potential for gas leaks.**

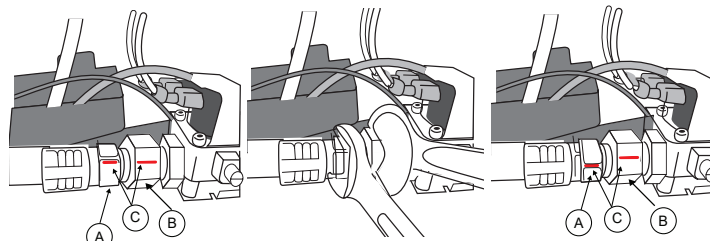


Figure 1

Figure 2

Figure 3

## Recherche de fuites dans le système d'arrivée de gaz :



**Ne pas laisser la solution de détection des fuites entrer en contact avec les composants électriques. Nombre de liquides sont conducteurs et peuvent poser des risques de court-circuit, voire même d'incendie.**

Employer une solution de détection des fuites pour vérifier l'étanchéité du tuyau d'arrivée de gaz et de tous les raccords de gaz propane.

Si de l'air comprimé est utilisé pour le test :

- La pression de l'air comprimé au niveau du robinet d'arrêt manuel du réfrigérateur ne doit pas dépasser 1/2 psig (colonne d'eau de 14 po).
- Si la pression de l'air comprimé est supérieure à 1/2 psig (colonne d'eau de 14 po), retirer le tuyau d'arrivée de gaz du robinet de gaz mixte du réfrigérateur avant le test.
- Si la pression de l'air comprimé est égale ou inférieure à 1/2 psig (colonne d'eau de 14 po), fermer le robinet d'arrêt manuel du réfrigérateur avant le test.
- Si la pression de l'air comprimé est égale ou inférieure à 1/2 psig (colonne d'eau de 14 po), fermer le robinet d'arrêt manuel du réfrigérateur avant le test.

## Raccordement de la machine à glaçons (modèles N10LXIM et NA10LXIM)

La machine à glaçons est montée dans les réfrigérateurs à l'usine comme équipement disponible en option. Si le réfrigérateur ne comporte pas de machine à glaçons installée en usine, il ne sera pas possible d'en ajouter une au réfrigérateur plus tard.

L'installateur du réfrigérateur devra raccorder un tuyau d'arrivée d'eau froide à l'électrovanne située à l'arrière du réfrigérateur. Ce qui suit est nécessaire pour le raccordement de la machine à glaçons :

- tube en cuivre de diam. ext. de 1/4 po pour le tuyau d'arrivée d'eau.

OU BIEN

- tube en plastique de diam. ext. de 1/4 po pour le tuyau d'arrivée d'eau.
- un robinet d'arrêt de 1/4 po dans le tuyau d'arrivée d'eau. Ceci doit être d'accès facile à travers la bouche de prise d'air inférieure.

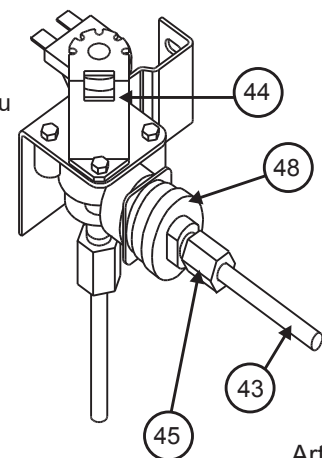
## Branchement du tuyau d'arrivée d'eau :

Installer un tuyau d'arrivée d'eau de diam. ext. de 1/4 po [43] allant du robinet d'arrêt d'eau du véhicule à l'électrovanne [44] située à l'arrière du réfrigérateur (voir Art. 01014) :

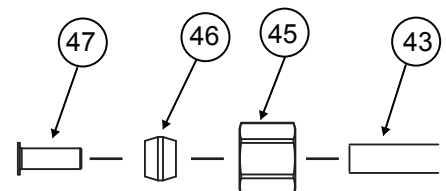
**AVIS**

*Un écrou de compression en laiton [45], un manchon en laiton, un manchon en plastique [46] et une pièce rapportée en laiton [47] sont fournis et fixés à l'arrière du réfrigérateur (voir Art. 01755).*

- Placer l'écrou de compression, puis le manchon sur le tuyau d'arrivée d'eau [43].
  - Pour les tubes en cuivre, utiliser le manchon en laiton.
  - Pour les tubes en plastique, utiliser le manchon en plastique [46].
  - Pour les tubes en plastique dont l'épaisseur des parois est de 0,040 po, utiliser également la pièce rapportée en laiton [47].
- Purger le tuyau d'arrivée d'eau jusqu'à ce que l'eau soit claire.
- Placer le tube dans le robinet d'eau jusqu'à ce qu'il bute contre l'arrêt de l'adaptateur.
- Serrer l'écrou de compression à la main (serrer fortement avec les doigts).
- À l'aide de deux clés, serrer l'écrou de compression de 1 1/2 tour à 2 tours.
- Ouvrir le robinet d'arrêt d'eau du véhicule.
- Chercher les fuites au niveau des raccords.



Art 01014



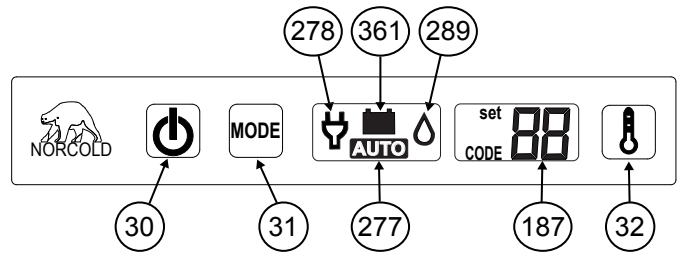
ART 01755

## Utilisation des commandes du réfrigérateur

### Fonctionnement en mode automatique :



**Les tableaux de commande sont extrêmement sensibles. La preuve d'une modification ou du retrait de l'étui protecteur entraînera l'ANNULATION de la garantie.**



Art 02629

- Appuyer sur le bouton ON/OFF [30] et le relâcher pour mettre le réfrigérateur en marche (voir Art. 02629).
- Appuyer sur le bouton TEMP SET (réglage température) [32] selon les besoins pour régler la température.
  - Le chiffre un (1) qui apparaît sur l'écran [187] correspond à la température la plus élevée.
  - Le chiffre neuf (9) qui apparaît sur l'écran [187] correspond à la température la plus froide.
- Si l'icône AUTO [277] et l'icône AC PLUG (FICHE CA) [278] sont allumées, cela signifie que :
  - Le réfrigérateur a accès à une alimentation de 120 V c.a.
  - Le réfrigérateur fonctionne sur courant alternatif.
  - Au bout de dix secondes, le rétroéclairage de l'écran s'éteint.
- Si l'icône AUTO et l'icône FLAME (FLAMME) [289] sont allumées, cela signifie que :
  - Le réfrigérateur n'a pas accès à une alimentation de 120 V c.a.
  - Le réfrigérateur fonctionne au gaz propane.
  - Au bout de dix secondes, le rétroéclairage de l'écran s'éteint.

### Si le réfrigérateur n'a pas accès à une alimentation de 120 V c.a. ou au gaz propane :

- Les codes d'anomalie « no AC » (pas de c.a.) puis « no FL » (pas de gaz) s'affichent à l'écran central et une alarme retentit.
  - Consulter la section « Codes d'anomalie » dans ce manuel pour connaître la signification de toute anomalie affichée.

### Si le réfrigérateur a accès à une source d'alimentation, mais que cette alimentation est défaillante :

- En mode automatique, les commandes électroniques du réfrigérateur sélectionneront automatiquement la source d'énergie à l'aide du schéma de priorité suivant :
  - 1<sup>er</sup> choix : Courant alternatif
  - 2<sup>e</sup> choix : GPL
  - 3<sup>e</sup> choix : Courant continu (réfrigérateurs triple alimentation uniquement)
- En mode auto, si un choix à priorité élevée est disponible (par ex. tension c.a. réappliquée), la commande bloque l'utilisation du mode actuel et passe à un mode de priorité plus élevé.

### Fonctionnement en mode manuel c.a. :

- Appuyer sur le bouton ON/OFF [30] et le relâcher pour mettre le réfrigérateur en marche.
- Appuyer sur le bouton MODE [31] jusqu'à ce que l'icône AUTO s'éteigne et que seule l'icône AC PLUG (FICHE CA) [278] reste allumée.
- Appuyer sur le bouton TEMP SET (réglage température) [32] selon les besoins pour régler la température.
- L'icône AC PLUG [278] reste allumée jusqu'à la sélection d'un mode de fonctionnement différent ou l'arrêt du réfrigérateur.

**Fonctionnement en mode manuel GPL :**

- Appuyer sur le bouton ON/OFF [30] et le relâcher pour mettre le réfrigérateur en marche.
- Appuyer sur le bouton MODE [31] jusqu'à ce que l'icône AUTO s'éteigne et que seule l'icône FLAME (FLAMME) [289] reste allumée.
- Appuyer sur le bouton TEMP SET (réglage température) [32] selon les besoins pour régler la température.
- L'icône FLAME [289] reste allumée jusqu'à la sélection d'un mode de fonctionnement différent ou l'arrêt du réfrigérateur.

**Fonctionnement en mode manuel c.c. :**

- Appuyer sur le bouton ON/OFF [30] et le relâcher pour mettre le réfrigérateur en marche.
- Appuyer sur le bouton MODE [31] jusqu'à ce que l'icône AUTO s'éteigne et que seule l'icône BATTERY (BATTERIE) [361] reste allumée.
- Appuyer sur le bouton TEMP SET (réglage température) [32] selon les besoins pour régler la température.
- L'icône BATTERY (BATTERIE) [361] reste allumée jusqu'à la sélection d'un mode de fonctionnement différent ou l'arrêt du réfrigérateur.

**Mise à l'arrêt - Tous les modèles :**

- Pour éteindre le réfrigérateur, appuyer sur le bouton ON/OFF et le maintenir enfoncé pendant deux secondes et relâcher.

## Codes d'anomalie (TOUS LES MODÈLES N10LX ET NA10LX)

Voyant lumineux et couleur	Signification	Actions correctives
Indicateur de mise sous tension est allumé en rouge	Le réfrigérateur a essayé de fonctionner sur la source d'énergie choisie(s), sans succès.	Mettez le réfrigérateur HORS TENSION, puis sous tension pour réinitialiser. Vérifier : - que le réfrigérateur est branché sur une prise de courant - que les pièces réparables Matériel de charge de la batterie du véhicule est opérationnel - que le convertisseur CA/CC est opérationnel (si applicable) - que la soupape du réservoir de gaz propane(s) est ouverte - que le propane, le gaz est à la pression correcte - que le robinet d'arrêt manuel du réfrigérateur de la valve à gaz est ouverte - qu'il n'y a pas d'air dans la conduite d'alimentation en gaz propane - Veuillez consulter votre revendeur ou le centre de service autorisé Norcold
clignote en rouge, sur une (1) fois, est de cinq (5) secondes, répète	Ce défaut indique un problème lié à l'élément chauffant.	Ce n'est pas propriétaire d'un entretien. Veuillez consulter votre revendeur ou le centre de service autorisé Norcold
clignote en rouge, sur deux (2) fois, est de cinq (5) secondes, répète	Ce défaut est dans le réfrigérateur des commandes électroniques.	Mettez le réfrigérateur hors tension puis à nouveau pour réinitialiser. Si le code défaut persiste, veuillez consulter votre revendeur ou le centre de service autorisé Norcold
clignote en rouge, sur trois (3) fois, est de cinq (5) secondes, répète	Ce défaut est dans le réfrigérateur des commandes électroniques.	Mettez le réfrigérateur hors tension puis à nouveau pour réinitialiser. Si le code défaut persiste, veuillez consulter votre revendeur ou le centre de service autorisé Norcold
clignote en rouge, sur quatre (4) fois, est de cinq (5) secondes, répète	Ce défaut est dans le réfrigérateur des commandes électroniques.	Ce n'est pas propriétaire d'un entretien. Veuillez consulter votre revendeur ou le centre de service autorisé Norcold
clignote en rouge, sur cinq (5) fois, est de cinq (5) secondes, répète	Ce défaut indique une flamme est détectée au niveau du brûleur quand il devrait y avoir aucun présent.	Ce n'est pas propriétaire d'un entretien. Veuillez consulter votre revendeur ou le centre de service autorisé Norcold
clignote en rouge, sur huit (8) fois, est de cinq (5) secondes, répète	Ce défaut indique la tension d'entrée CC pour le réfrigérateur est trop faible.	Mettez le réfrigérateur HORS TENSION, puis sous tension pour réinitialiser. Vérifier : - que l'équipement de chargement de la batterie du véhicule est opérationnel - que le convertisseur CA/CC est opérationnel (si applicable) - Veuillez consulter votre revendeur ou le centre de service autorisé Norcold
clignote en rouge, sur neuf (9) fois, est de cinq (5) secondes, répète	Ce défaut indique la tension d'entrée CC pour le réfrigérateur est trop élevé.	Mettez le réfrigérateur HORS TENSION, puis sous tension pour réinitialiser. Vérifier : - que l'équipement de chargement de la batterie du véhicule est opérationnel - que le convertisseur CA/CC est opérationnel (si applicable) - Veuillez consulter votre revendeur ou le centre de service autorisé Norcold
rouge clignote sur dix (10) fois, est de cinq (5) secondes, répète	Ce défaut indique une perte de communication entre le réfrigérateur des contrôles.	Mettez le réfrigérateur hors tension puis à nouveau pour réinitialiser. Si le code défaut persiste, veuillez consulter votre revendeur ou le centre de service autorisé Norcold
Vert, clignote toutes les 20 secondes	Le réfrigérateur fonctionne sur secteur de l'énergie électrique. La thermistance a été détecté comme étant inutilisable, donc la température est contrôlée via le système d'exploitation de secours.	Ce n'est pas propriétaire d'un entretien. Veuillez consulter votre revendeur ou le centre de service autorisé Norcold
L'ambre, clignote toutes les 20 secondes	Le réfrigérateur fonctionne sur secteur de l'énergie électrique. La thermistance a été détecté comme étant inutilisable, donc la température est contrôlée via le système d'exploitation de secours.	Ce n'est pas propriétaire d'un entretien. Veuillez consulter votre revendeur ou le centre de service autorisé Norcold
L'écran est vide	Le réfrigérateur est à l'arrêt ou le réfrigérateur ne s'allume pas.	Mettez le réfrigérateur en marche Vérifier : - que l'équipement de chargement de la batterie du véhicule est opérationnel - que le convertisseur CA/CC est opérationnel (si applicable) - Veuillez consulter votre revendeur ou le centre de service autorisé Norcold