



Installation Manual

For model N300X - a 2.7 cu. ft., 2-way or 3-way, refrigerator.

The models numbers of 3-way refrigerators contain “.3”. The model numbers of 2-way refrigerators do not.

The letter “X” in the model number above, stands for a letter or a numeral which means a refrigerator option.



Improper installation, adjustment, alteration, service or maintenance can cause injury or property damage. Refer to this manual. For assistance or additional information, contact a qualified installer, service agency, or the gas supplier.



FIRE OR EXPLOSION HAZARD

If you smell gas:

1. Open Windows
2. Do not attempt to light appliance.
3. Do not touch electrical switches.
4. Extinguish any open flame
5. Shut off fuel supply.
6. Evacuate immediately and call emergency services.

Failure to follow these instructions could result in fire or explosion, which could cause property damage, personal injury, or death.

FOR YOUR SAFETY

Do not store or use gasoline or other flammable vapors and liquid in the vicinity of this or any other appliance.

English

Table of Contents

Safety Awareness.....	2
Safety Instructions.....	2
Certification and Code Requirements.....	3
Ventilation Requirements.....	4
Assemble the Enclosure.....	4
Install the Lower and Upper Vents.....	5
Install the Refrigerator.....	7
Installation Options.....	7
Install the decorative door panel.....	7
Reverse the door swing.....	8
Connect the Electrical Components.....	8
Connect the 120 volts AC supply.....	8
Connect the 12 volts DC supply (3-way models only).....	8
Connect the Propane Gas Components.....	10
Connect the gas supply system.....	10
Examine the gas supply system for leaks.....	11

Safety Awareness

Read this manual carefully and understand the contents before you install the refrigerator.

Be aware of possible safety hazards when you see the safety alert symbol on the refrigerator and in this manual. A signal word follows the safety alert symbol and identifies the danger of the hazard. Carefully read the descriptions of these signal words to fully know their meanings. They are for your safety.



This signal word means a hazard, which if ignored, can cause dangerous personal injury, death, or much property damage.



This signal word means a hazard, which if ignored, can cause small personal injury or much property damage.

Safety Instructions



- This refrigerator is not approved for use as a free standing refrigerator. It is equipped for the use of propane gas only and can not be changed to use any other fuels (natural gas, butane, etc.).
- Incorrect installation, adjustment, alteration, or maintenance of this refrigerator can cause personal injury, property damage, or both.
- Obey the instructions in this manual to install the intake and exhaust vents.
- Do not install the refrigerator directly on carpet. Put the refrigerator on a metal or wood panel that extends the full width and depth of the refrigerator.
- Do not allow anything to touch the refrigerator cooling system.
- Propane gas can ignite and cause an explosion that can result in property damage, personal injury, or death. Do not smoke or create sparks while working on the gas supply system. Do not use an open flame to examine the gas supply piping or fittings for leaks. Always use two wrenches to tighten or loosen the propane gas supply line connections.

- Make sure the electrical installation obeys all applicable codes. See “Certification and Code Requirements” section.
- Do not bypass or change the refrigerator’s electrical components or features.
- Do not spray liquids near electrical outlets, connections, or the refrigerator components. Many liquids are electrically conductive and can cause a shock hazard, electrical shorts, and in some cases fire.
- The refrigerator cooling system is under pressure. Do not try to repair or to recharge a defective cooling system.
- The cooling system contains sodium chromate. The breathing of certain chromium compounds can cause cancer. The cooling system contents can cause severe skin and eye burns, and can ignite and burn with an intense flame. Do not bend, drop, weld, move, drill, puncture, or hit the cooling system.



- The rear of the refrigerator has sharp edges and corners. To prevent cuts or abrasions when working on the refrigerator, use caution and wear cut resistant gloves.

Certification and Code Requirements

This refrigerator is certified by CSA International as meeting the latest edition of ANSI Z21.19 / CSA 1.4 standards for installation in mobile homes or recreational vehicles.

The refrigerator must be installed in accordance with this “Installation Manual” in order for the Norcold limited warranty to be in effect. In addition, the installation must conform to the following, as applicable:



Art01290



In the United States and Canada:

- Local codes, or in the absence of local codes, the National Fuel Gas Code, ANSI Z223.1/NFPA 54, the Natural Gas and Propane installation Code, CSA B149.1, ANSI A119.2 Recreational Vehicles Code, and CSA Z240 RV Series, Recreational Vehicles.
- A manufactured home (mobile home) installation must conform with the Manufactured Home Construction and Safety Standard, Title 24 CFR, Part 3280 [formerly the Federal Standard for Mobile Home Construction and Safety, Title 24 (part 280), and the current CSA Z240.4, Gas-equipped Recreational Vehicles and Mobile Housing.
- If an external power source is utilized, the appliance, when installed, must be electrically grounded in accordance with local codes or, in the absence of local codes, the National Electrical code, and ANSI/NFPA 70, or the Canadian Electrical Code, CSA C22.2. Parts 1 and 2.

All propane gas supply piping and fittings must obey local, state, and national codes about type and size. These components must also obey the current NFPA 501C section 2-4, and in Canada with the current CAN 1-6.10 Standard.

Ventilation Requirements



The completed installation must:

- **Make sure there is sufficient intake of fresh air for combustion.**
- **Make sure the living space is completely isolated from the combustion system of the refrigerator.**
- **Make sure there is complete and unrestricted ventilation of the flue exhaust which, in gas mode, can produce carbon monoxide. The breathing of carbon monoxide fumes can cause dizziness, nausea, or in extreme cases, death.**
- **Make sure the refrigerator is completely isolated from its heat generating components through the correct use of baffles and panel construction.**

Certified installation needs one lower intake vent and one upper exhaust vent. Install the upper exhaust vent either through the roof or through the side wall of the vehicle exactly as written in this manual. Any other installation method voids both the certification and the factory warranty of the refrigerator.

The bottom of the opening for the lower intake vent, which is also the service access door, must be even with or immediately below the floor level. This allows any leaking propane gas to escape to the outside and not to collect at floor level.

CSA International certification allows the refrigerator to have zero (0) inch minimum clearance at the sides, rear, top, and bottom. While there are no maximum clearances specified for certification, the following maximum clearances are necessary for correct refrigerator performance:

Bottom	0 inch min.	0 inch max.
Each Side	0 inch min	1/4 inch max.
Top	0 inch min.	1/4 inch max.
Rear	0 inch min.	1 inch max.

These clearances plus the lower and upper vents cause the natural air draft that is necessary for good refrigeration. Cooler air comes in through the lower intake vent, goes up around the refrigerator coils where it removes the excess heat from the refrigerator components, and goes out through the upper exhaust vent. If this air flow is blocked or decreased, the refrigerator will not cool correctly.

Each NORCOLD model is certified by CSA International for correct ventilation. Install only the certified vents that are listed in this manual.

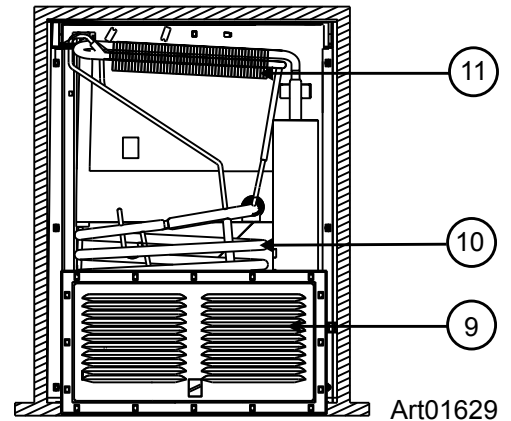
Assemble the Enclosure

1. Make sure the enclosure is 29.75 - 29.88 inches high x 20.50 - 20.63 inches wide x 21.38 inches deep.
2. Make sure the floor is solid and level.
 - The floor must be metal or a wood panel and extend the full width and depth of the enclosure.
 - The floor must be able to support the weight of the refrigerator and its contents.
3. Make sure there are no adjacent heat sources such as a furnace vent, a hot water heater vent, etc.
4. If there is more than 1/2 inch between either side of the refrigerator and the inside of the enclosure:
 - Fill the space with fiberglass (batt-type) insulation or add a baffle to eliminate the clearance.
 - The rear of the batt-type insulation must be between 14 -15 inches from the face of the enclosure.
 - Securely attach the batt-type insulation to the enclosure, so that it remains in this position during refrigerator installation, if it becomes wet, and in windy conditions.

Install the Lower and Upper Vents

1. Using the following chart, decide which vents and rough opening (RO) sizes to use.

Certified Vent	P/N	RO Height	RO Width
Upper Roof Exhaust Vent	622293	24 in.	5 1/4 in.
Upper Side Exhaust Vent	617485	7 1/4 in.	18 in.
Lower Side Intake Vent	617484	9 3/4 in.	19 3/8 in.
Universal Upper and Lower Vent	620505	6 3/16 in.	17 15/16 in.



2. Install the lower intake vent (See Art01629):

NOTICE

The lower intake vent is also the service access opening for the components on the rear of the refrigerator.

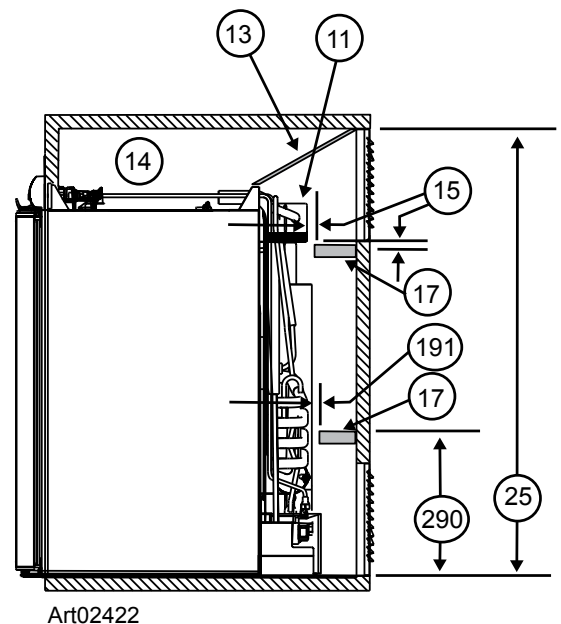
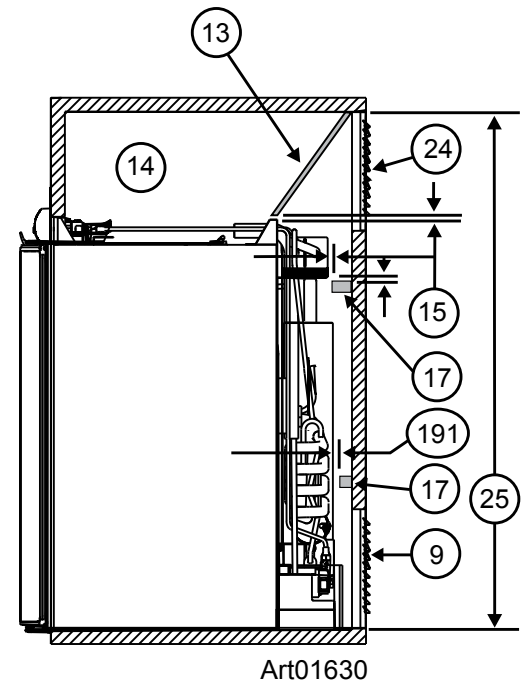
WARNING

Make sure the bottom of the opening of the lower intake vent is even with or immediately below the floor level. This allows any leaking propane gas to escape to the outside and not to collect at floor level.

- Make sure the bottom of the opening of lower intake vent is even with or immediately below the floor level.
- Align the lower intake vent [9] vertically below the coils [10] and the condenser [11] of the refrigerator.

3. Install the upper exhaust vent (see Art01630):

- If you install the upper side exhaust vent:
 - Make sure the distance [25] from the bottom of the enclosure to the top of the rough opening for the upper exhaust vent is at least 37 inches or poor cooling performance can occur.
 - Align the upper exhaust vent [24] horizontally above the lower intake vent [9] of the refrigerator.
 - Install a baffle [13] to prevent stagnant hot air in the area [14] above the refrigerator.
 - Make sure there is less than 1/4 inch clearance [15] between the baffle and the top of the refrigerator.
 - Make sure the baffle is the full width of the inside of the enclosure.



- If the construction of the vehicle does not allow the distance [25] to be 37 inches, the distance (optional only) can be as little as 30 3/4 inches (See Art02422) **if you:**
- Add two baffles [17] to the rear of the enclosure:
 - Make sure the distance [290] from the bottom of the enclosure to the top of the lower baffle is between 10 and 10 1/2 inches.
 - Make sure the lower baffle is between 1/4 and 1/2 inch [191] from the coils of the refrigerator.
 - Put the upper baffle at the lower edge of the condenser [11] of the refrigerator.
 - Make sure the upper baffle is between zero (0) and 1/4 inch [15] below and zero (0) and 1/4 inch away from the condenser of the refrigerator.
 - Make sure both baffles are the full width of the inside of the enclosure.
- If you install the roof exhaust vent (See Art01631):

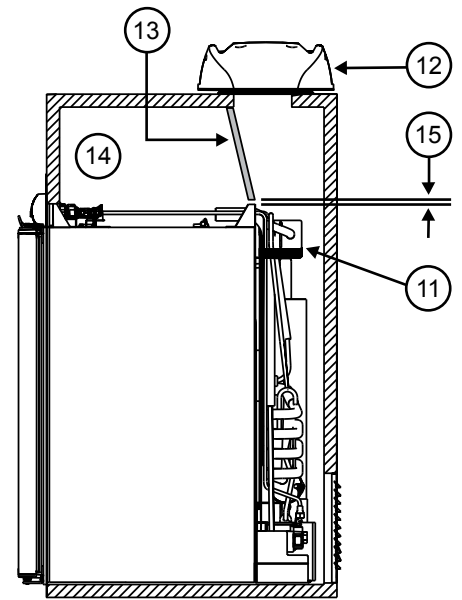


Make sure that no sawdust, insulation, or other construction debris is on the refrigerator or in the enclosure. Debris can cause a combustion hazard and prevent the refrigerator from operating correctly.



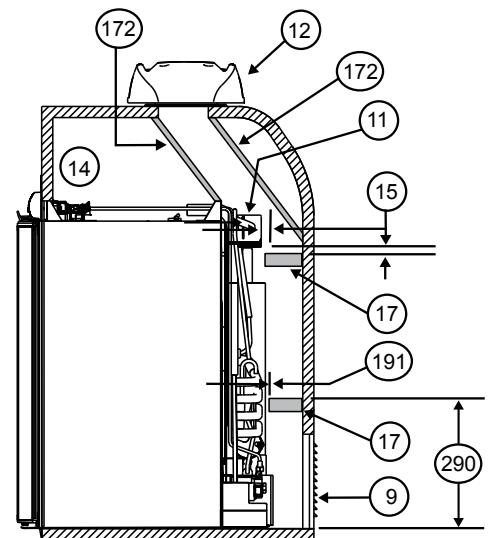
Tighten the screws of the roof cap to 10 inch-pounds max. Also make sure that the air flow around the upper roof exhaust cap is not blocked or decreased by other roof mounted features such as a luggage carrier, an air conditioner, a solar panel, etc.

- If the design of the vehicle allows, install the roof exhaust vent [12] directly above the condenser [11] of the refrigerator.
 - Install a baffle [13] to prevent stagnant hot air in the area [14] above the refrigerator.
 - Make sure there is less than 1/4 inch clearance [15] between the baffle and the top of the refrigerator.
 - Make sure the baffle is the full width of the inside of the enclosure.
- If the design of the vehicle does not allow you to install the roof exhaust vent directly above the condenser of the refrigerator (See Art01632):



Art01631

- Align the roof exhaust vent [12] above the lower intake vent and move it inboard as necessary.
- Install two baffles [172] to prevent stagnant hot air in the area [14] above the refrigerator.
 - Make sure both baffles are the full width of the inside of the enclosure.
 - Make sure that both baffles are no more than 45° from vertical.
 - Put one baffle between the top rear edge of the refrigerator and the inside edge of the upper exhaust vent opening.
 - Put the other baffle between the outside edge of the upper exhaust vent opening and the side wall of the vehicle.



Art01632

- If there is more than 1 inch of clearance between the rear of the refrigerator and the enclosure, add two baffles [17] to the rear of the enclosure (See Art01630 and Art01632):
 - Make sure the distance [290] from the bottom of the enclosure to the top of the lower baffle is between 10 and 10 1/2 inches.
 - Make sure the lower baffle is between 1/4 and 1/2 inch [191] from the coils of the refrigerator.
- Put the upper baffle at the lower edge of the condenser [11] of the refrigerator.
 - Make sure the upper baffle is between zero (0) and 1/4 inch [15] below and zero (0) and 1/4 inch away from the condenser of the refrigerator.
- Make sure both baffles are the full width of the inside of the enclosure.

Install the Refrigerator

Put the refrigerator in position (see Art01253):



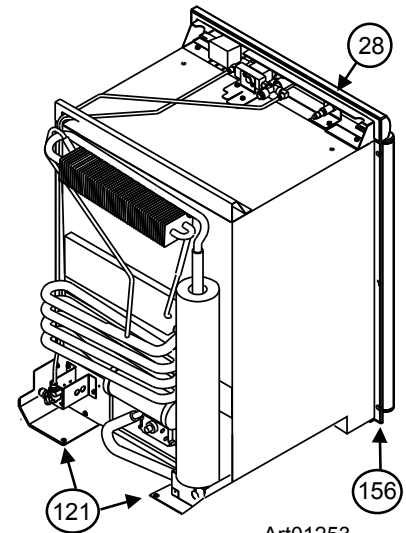
WARNING Make sure the combustion seal [28] is not broken, is completely around the refrigerator mounting flanges [156], and is between the mounting flanges and the wall of the enclosure. If the combustion seal is not complete, exhaust fumes can be present in the living area of the vehicle. The breathing of exhaust fumes can cause dizziness, nausea, or in extreme cases, death.

- Remove the door from the refrigerator (See "Reverse the door swing" section).
- Put screws through the holes of the refrigerator mounting flanges and into the enclosure wall.



NOTICE To avoid bending the breaker, make sure that the screws are perpendicular to the breaker and do not overtighten the screws.

- Attach the door to the refrigerator.
- Put a screw through the holes [121] in the braces at the lower rear corners of the refrigerator and into the floor.



Art01253

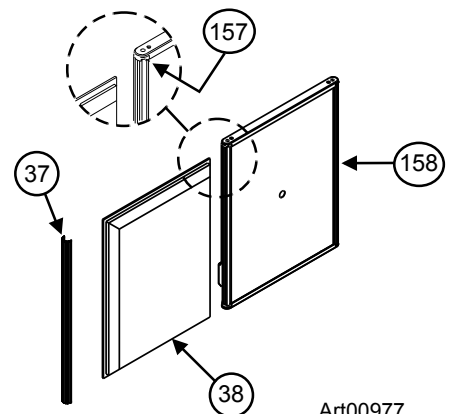
Installation Options

Install the decorative door panel:



NOTICE The decorative panels must be 3/16 inch or less in thickness.

- Make a decorative door panel [38] that is 25 15/16 inches high x 20 1/8 inches wide (See Art00977).
- Push the decorative door panel into the slots [157] of the door end caps [158].
- Push each panel retainer [37] into the slot on the edge of the door.



Art00977

Reverse the door swing:

This refrigerator has door hinges that allow you to change the direction that the door opens by moving the hinges to the opposite corner (See Art00981).

1. Remove the door:

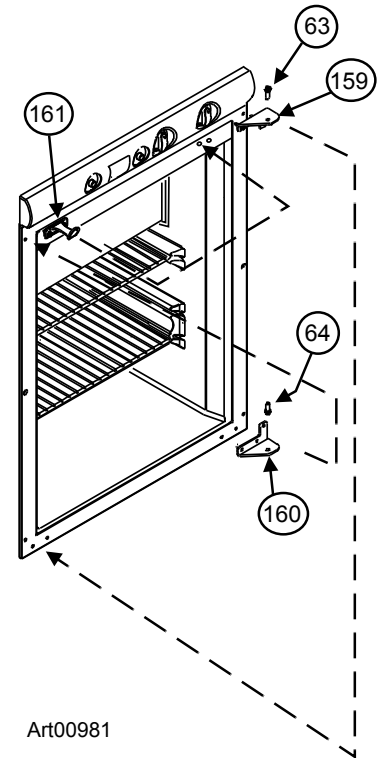
- Turn out and save the upper hinge pin [63].
- Open the door a small amount and pull the top of the door away from the upper hinge of the refrigerator.
- Lift the door off of the lower hinge pin [64].
- Turn out and save the lower hinge pin.

2. Change the position of the hinges:

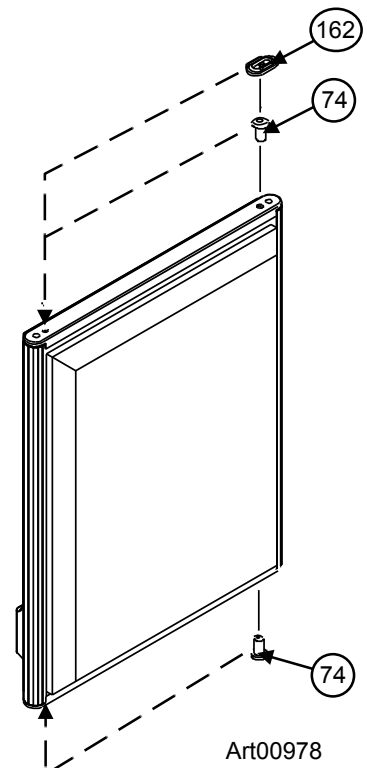
- Remove and save the plastic bushings that are in the holes on the ends of the door.
- Remove the screws from the upper hinge [159].
- Put this hinge on the other side as the lower hinge.
- Attach the hinge with the screws.
- Turn the lower hinge pin down into this hinge.
- Remove the screws from the lower hinge [160].
- Remove the screw from the travel latch [161].
- Put this hinge on the other side as the upper hinge.
- Attach the hinge with the screws.
- Push the bushings into the empty holes in the ends of the door.

3. Change the position of the travel latch (See Art00978 and Art00979):

- Put the travel latch on the other side of the refrigerator.
- Attach the travel latch with the screw.
- Remove the screw from the travel latch plate [162] on the door.
- Pull each hinge bushing [74] out of the hole in the door.
- Pull the plastic plug out of the top of the door.
- Push the plastic plug into the other hole in the top of the door.
- Put the travel latch plate on the other side of the door.
- Attach the travel latch plate with the screw.
- Push each hinge bushing into the hole on the other side of the door.



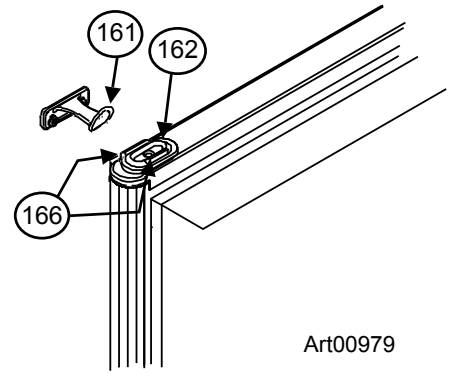
Art00981



Art00978

4. Install the door:

- Put the door down onto the lower hinge pin.
- Align the holes in the upper hinge and the hinge bushing and hold in this position.
- Screw the upper hinge pin down into the upper hinge and into the door.
- Tighten all of the screws.
- Make sure the travel latch engages the travel latch plate.
 - If not, loosen the screw and adjust the height of the travel latch plate.
 - Tighten the screw.



Art00979

Connect the Electrical Components

AC Operation	120 volts AC voltage	(108 volts min. - 132 volts max.)
Current Draw	1.4 Amps at 110 Volts AC 1.5 Amps at 120 Volts AC	
DC Operation (3-way models only)	12 volts DC voltage	(11.5 volts min. - 15.4 volts max.)
Current Draw	12 Amps at 12 Volts DC 14 Amps at 14 Volts DC	

This refrigerator operates on these electrical sources. Operation out of these limits may damage the refrigerator's electrical circuit parts and will void the warranty.



The rear of the refrigerator cooling system has hot surfaces and sharp surfaces that can damage electrical wiring. Make sure that there is a good clearance between all electrical wiring and the cooling system of the refrigerator. Position any electrical wiring within the refrigerator enclosure opposite the burner side of the refrigerator. Do not put any electrical wiring through the roof exhaust vent. Failure to correctly position electrical wiring can result in electrical shock or fire.

Connect the 120 volts AC supply:



Connect the AC power cord only to a grounded three-prong receptacle. Do not remove the round ground prong from the power cord. Do not use a two-prong adapter or an extension cord. Operation of the refrigerator without correct ground can cause dangerous electrical shock or death if you are touching the metal parts of the refrigerator.

Put the AC power cord into a grounded three-prong receptacle:

- Make sure the receptacle is positioned within easy reach of the lower intake vent.
- Make sure the power cord does not touch the burner cover, the flue pipe, or any hot component that could damage the insulation of the power cord.

Connect the 12 volts DC supply (3-way models only):

As the distance from the vehicle battery to the refrigerator increases, the correct AWG wire size and fuse size also increases. If the wire size is too small for the distance, a voltage drop occurs. The voltage drop decreases the output of the system heater and causes decreased cooling performance.



If you use an incorrect wire size and/or fuse size, electrical fire can result.

1. Determine the min. wire size and the max. fuse size to use:

- Measure the distance from the vehicle battery to the refrigerator:

- If the distance is 0 - 20 feet, use a minimum of 12 AWG wire and a maximum 20 amp fuse.
- If the distance is more than 20 feet, use a minimum 10 AWG wire and a maximum 30 amp fuse.
- If the wire size is larger than the min. size, use the correct fuse per RVIA A119.2 standard or local codes.

The wire connections must be clean, tight and free of corrosion. If any of these items are not correct:

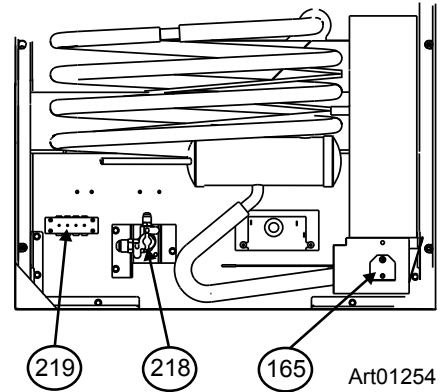
- A voltage drop to the refrigerator will occur.
- The voltage drop will reduce the cooling performance of the refrigerator.

The terminals for connecting the DC power supply are marked positive (+) and negative (-) on the terminal block of the refrigerator. Make sure that:

- Each DC power supply wire is attached to the correct polarity terminal.
- The chassis or the vehicle frame is not used as one of the conductors.
- The DC power supply wires including the fuses are routed directly from the battery to the refrigerator.

2. Connect the D.C. power supply wires:

- Attach a 1/4 inch female Quick Connect terminal to each DC power supply wire.
- Push each power wire onto the terminal block [219] at the rear of the refrigerator (See Art01254).
- Make sure each DC power supply wire is on the correct polarity terminal.



Connect the Propane Gas Components

This refrigerator operates on propane gas at a pressure of 11 inches Water Column Propane.

Connect the propane gas supply system:

WARNING Be very careful when working on or near the propane gas system.

- Do not smoke or use an open flame near the propane gas system.
- Do not use an open flame to examine for leaks.
- Do not connect the refrigerator to the gas tank without a pressure regulator between them.
- To avoid an propane gas leak, always use two wrenches to tighten or loosen the gas supply line connections.
- Leaking propane gas can ignite or explode and result in dangerous personal injury or death.

Connect the gas supply line to the refrigerator:

- Make sure all tubing and fittings obey all local, state, and national codes about size and type.
- Make sure that all flexible metal connectors obey the current CAN1-6.10 Standard.
- Make sure that the materials used for the gas supply line obey both the current NFPA 1192 and CSA Z240 Standards on Recreational Vehicles. Norcold recommends the use of 3/8 inch copper tubing as the gas supply line and requires a 3/8 inch SAE (UNF 5/8-18) female flare fitting as the connection to the refrigerator.

- Put the propane gas supply line up through the floor of the enclosure.
- Make sure the hole through the floor is large enough to allow clearance for the gas supply line.
- Put a weather resistant seal (grommet, sealant, etc.) around the gas supply line where it goes through the floor to prevent vibration and abrasion.
- To prevent vibration and abrasion, make sure that the gas supply line is not against anything in the enclosure.
- Attach the gas supply line to the bulkhead fitting [2] of the refrigerator (See Art01254).

Examine the gas supply system for leaks:



Do not allow the leak detecting solution to touch the electrical components. Many liquids are electrically conductive and can cause a shock hazard, electrical shorts, and in some cases, fire.

Use a leak detecting solution to examine the gas supply line and all propane gas connections for leaks.

If you use compressed air for the test:

- The pressure at the manual shut off valve of the refrigerator must not be more than 1/2 psig (14 inches Water Column).
- If the air pressure is more than 1/2 psig (14 inches Water Column), remove the gas supply line from the bulkhead fitting of the refrigerator before the test.
- If the air pressure is equal to or less than 1/2 psig (14 inches Water Column), close the manual shutoff valve of the refrigerator before the test.



Manuel d'installation

pour le modèle N300X, réfrigérateur de 2,7 pi³ à 2 ou 3 alimentations

Les numéros de modèle des réfrigérateurs à triple alimentation contiennent « .3 », mais pas ceux des réfrigérateurs à double alimentation.

La lettre « X », dans les numéros de modèle ci-dessus, représente une lettre ou un chiffre correspondant à une option de réfrigérateur.



AVERTISSEMENT

Une faute d'installation, de réglage, de modification, de réparation ou d'entretien peut causer des préjudices corporels ou matériels. Se reporter à ce manuel. Pour obtenir de l'assistance ou des informations supplémentaires, s'adresser à un installateur qualifié, au service après-vente ou à la compagnie de gaz



AVERTISSEMENT

RISQUE D' INCENDIE OU D'EXPLOSION

Si vous sentez une odeur de gaz:

1. Ouvrez les fenêtres.
2. Éteignez toute flamme nue..
3. Ne pas toucher les interrupteurs électriques.
4. Éteignez toute flamme nue..
5. Coupez l' alimentation en combustible.
6. Évacuez immédiatement et appelez les services d'urgence

Ne pas suivre ces instructions peut provoquer un incendie ou une explosion, pouvant causer des dommages matériels, des blessures ou la mort.

SÉCURITÉ PERSONNELLE

Ne pas conserver ni utiliser d'essence ou d'autres liquides inflammables, ou dont les vapeurs peuvent s'enflammer, à proximité de cet appareil ou de tout autre appareil électroménager.



AVERTISSEMENT

NE PAS installer ce réfrigérateur sous le pont dans un bateau. Ne pas installer ce réfrigérateur dans une cabine fixe ou autre zone habitable intérieure. Pour fonctionner correctement et sans danger, ce réfrigérateur doit utiliser uniquement un système à prise d'air extérieur et à ventilation aspirante conçu et agréé par NORCOLD. Toute autre méthode de ventilation pourrait libérer des gaz d'échappement à combustion mortels et (ou) des fumées explosives de gaz propane dans la zone habitable et (ou) sous le pont.

NORCOLD, Inc.
P.O. Box 4248
Sidney, OH 45365-4248 - E.-U.A.

Français

Norcold Customer Support Dept.
Telephone: 800-543-1219
Fax: 937-497-3183
Web Site: www.norcold.com

Réf. 635403C (10/1/2014)

Table des matières

Questions de sécurité.....	14
Consignes de sécurité.....	15
Certification et exigences réglementaires.....	16
Exigences de ventilation.....	16
Exigences relatives à l'enceinte	17
Installation des bouches d'air	17
Installation du réfrigérateur.....	20
Installation des options.....	20
Pose des panneaux décoratifs de porte.....	20
Inversion du sens d'ouverture de la porte	20
Branchement des composants électriques.....	22
Branchement de l'alimentation 120 V c.a.....	22
Branchement de l'alimentation 12 V c.c. (modèles 3 alim. seulement).....	22
Raccordement des composants du système de propane	23
Raccordement du système d'alimentation en gaz.....	23
Détection des fuites du système d'alimentation en gaz	24

Questions de sécurité

Veuillez lire attentivement ce manuel afin de vous familiariser avec son contenu avant de faire fonctionner le réfrigérateur.

Soyez très prudent lorsque vous apercevez le symbole de sécurité sur le réfrigérateur ou dans ce manuel. Le mot adjacent au symbole de sécurité précise la gravité du danger. Lisez attentivement la définition de ces dangers donnée ci-dessous. Il y va de votre sécurité.



Ce terme de signalement indique un danger qui, s'il n'est pas pris en compte, peut causer une blessure grave, la mort ou d'importants dégâts matériels.



Ce terme de signalement indique un danger qui, s'il n'est pas pris en compte, peut causer une blessure légère ou d'importants dégâts matériels.

Consignes de sécurité



- Ce réfrigérateur n'est pas destiné à servir de réfrigérateur amovible. Il est conçu pour fonctionner au gaz propane seulement et ne peut pas être modifié pour utiliser d'autres carburants (gaz naturel, butane, etc.).
- Une faute d'installation, de réglage, de modification ou d'entretien de ce réfrigérateur peut causer des préjudices corporels et (ou) matériels.
- Observer les consignes de ce manuel pour installer les bouches de ventilation (prise d'air et échappement).
- Ne pas installer le réfrigérateur à même une moquette ou un tapis. Le placer sur un panneau de métal ou de bois s'étendant au moins sur toute sa largeur et toute sa profondeur.
- Ne pas laisser quoi que ce soit toucher le système frigorifique du réfrigérateur.
- Le gaz propane est susceptible de s'enflammer et de causer une explosion et, par conséquent, des dégâts matériels et des blessures graves ou mortelles. Ne pas fumer ni faire d'étincelles lors de l'intervention sur le système d'alimentation en gaz. Ne pas se servir d'une flamme nue pour rechercher les fuites au tuyau ou aux raccords d'arrivée de gaz. Toujours se servir de deux clés pour serrer ou desserrer les raccords du tuyau d'arrivée de gaz propane.

- **S'assurer de la conformité de l'installation électrique à tous les codes applicables. Voir la section « Certification et codes à respecter ».**
- **Ne pas contourner ou modifier les composants ou fonctions électriques du réfrigérateur.**
 - **Ne pas vaporiser de liquides près des prises électriques, des raccords ou des pièces du réfrigérateur. Nombre de liquides sont conducteurs et peuvent poser des risques de décharge électrique, de court-circuit, voire même d'incendie.**
- **Le système frigorifique du réfrigérateur est sous pression. Ne pas essayer de réparer ou recharger un système frigorifique défectueux.**
- **Le système frigorifique contient du chromate de sodium. L'inhalation de certains composés du chrome peut causer le cancer. Le système frigorifique contient des produits chimiques qui peuvent causer de graves brûlures à la peau et aux yeux, s'enflammer et brûler avec une flamme intense. Ne pas recourber, faire tomber, souder, déplacer, percer, perforer ou heurter le système frigorifique.**



- **L'arrière du réfrigérateur présente des arêtes vives et des coins anguleux. Pour éviter de se couper ou de s'écorcher lors du travail sur le réfrigérateur, faire attention et porter des gants résistant aux coupures.**

Certification et exigences réglementaires

Ce réfrigérateur est homologué par la section International de l'ACNOR comme conforme à la dernière édition des normes ANSI Z21.19 / CSA 1.4 en ce qui concerne l'installation dans des caravanes résidentielles ou véhicules de loisir.

Pour que la garantie limitée Norcold puisse entrer en vigueur, l'installation du réfrigérateur doit être conforme au présent « Manuel d'installation ». De plus, elle doit respecter les éléments suivants, lorsqu'ils sont applicables :



Art01290

Aux États-Unis et au Canada :

- Les codes locaux, ou, à défaut, le code National Fuel Gas Code, les normes ANSI Z223.1/NFPA 54, le code Natural Gas and Propane installation Code, la norme CSA B149.1, le code ANSI A119.2 Recreational Vehicles Code et les normes CSA Z240 RV Series, Recreational Vehicles.
- L'installation des maisons préfabriquées (caravanes résidentielles) doit se conformer à la norme Manufactured Home Construction and Safety Standard, titre 24 CFR, partie 3280 [anciennement dénommée Federal Standard for Mobile Home Construction and Safety, titre 24 (partie 280), et à la norme à jour CSA Z240.4, Gas-equipped Recreational Vehicles and Mobile Housing.
- Si une source d'alimentation externe est employée, l'appareil électroménager doit, à son installation, faire l'objet d'une mise à la terre électrique conforme aux codes locaux ou, à défaut de tels codes, conforme au code National Electrical code et aux normes ANSI/NFPA 70, ou au Code canadien d'électricité, CSA C22.2. parties 1 et 2.

Tous les tuyaux et raccords d'arrivée de gaz propane doivent respecter les codes locaux, provinciaux et fédéraux s'appliquant à leurs types et dimensions. Ces éléments doivent également être conformes à la norme à jour NFPA 501C section 2-4, et, au Canada, à la norme à jour CAN 1-6.10.

Exigences de ventilation



Conditions à satisfaire par l'installation :

- Il doit y avoir un apport d'air frais suffisant pour la combustion.
- L'espace de séjour doit être complètement isolé du système de combustion du réfrigérateur.
- Le conduit de fumée d'échappement doit bénéficier d'une ventilation totale et sans restriction car, en mode de fonctionnement au gaz, du monoxyde de carbone peut en sortir. L'inhalation de fumées contenant du monoxyde de carbone peut causer des vertiges, des nausées ou, dans les cas extrêmes, la mort.
- S'assurer de l'isolation complète du réfrigérateur par rapport à ses composants produisant de la chaleur en utilisant un jeu approprié de déflecteurs et de panneaux.

Pour réaliser l'installation certifiée, il faut installer une bouche de prise d'air inférieure et une bouche de sortie supérieure. On installera la bouche de sortie supérieure soit par le toit, soit par la paroi latérale du véhicule, de manière conforme en tous points aux instructions contenues dans le présent manuel. Toute autre méthode d'installation annule la certification et la garantie usine du réfrigérateur.

L'ouverture de la bouche de prise d'air inférieure, qui sert aussi de point d'accès pour l'entretien, doit être au niveau du plancher ou juste en dessous. En cas de fuite, cette configuration permet au propane de ne pas s'accumuler au niveau du plancher et de s'échapper à l'extérieur.

En vertu de l'homologation de la section International de l'ACNOR, il peut y avoir un dégagement nul sur les côtés, l'arrière, le haut et le bas du réfrigérateur. Alors qu'aucun dégagement maximum n'est spécifié par l'homologation, le réfrigérateur ne peut fonctionner correctement que si les dégagements maximum suivants sont respectés :

Bas	0 po minimum	0 po maximum
Côtés	0 po minimum	1/4 po maximum
Haut	0 po minimum	1/4 po maximum
Arrière	0 po minimum	1 po maximum

Le respect de ces dégagements et la présence des bouches d'air inférieure et supérieure assurent le tirage d'air naturel nécessaire pour assurer une bonne réfrigération. L'air frais pénètre par la bouche de prise d'air inférieure, monte autour du serpentin de réfrigération où il extrait l'excès de chaleur des composants du réfrigérateur, et s'échappe par la bouche de sortie supérieure. Si cette circulation de l'air est bloquée ou limitée, le réfrigérateur ne refroidit pas correctement.

Le système de ventilation de chaque modèle NORCOLD est homologué par la section International de l'ACNOR. Installer uniquement les bouches de ventilation homologuées qui sont spécifiées dans ce manuel.

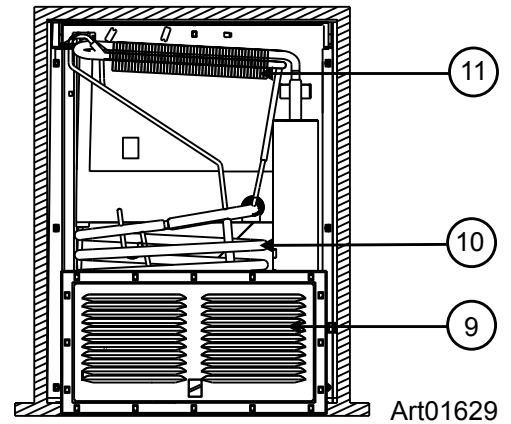
Exigences relatives à l'enceinte

1. L'enceinte doit avoir 29,75 - 29,88 po de hauteur sur 20,50 - 20,63 po de largeur sur 21,38 po de profondeur.
2. Le plancher doit être solide et de niveau.
 - Le plancher doit être un panneau en métal ou en bois de toute la largeur et de toute la profondeur de l'enceinte.
 - Le plancher doit pouvoir soutenir le poids du réfrigérateur et de son contenu.
3. S'assurer qu'il n'y a pas de sources de chaleur adjacentes, telles que bouches de ventilation de chauffage ou de chauffe-eau.
4. S'il y a plus de 1/2 po entre un côté du réfrigérateur et l'intérieur de l'enceinte :
 - Remplir l'espace d'isolant (en natte) en fibre de verre ou ajouter un déflecteur pour éliminer le dégagement.
 - L'arrière de l'isolant en natte doit être entre 14 et 15 po de la face de l'enceinte.
 - Bien fixer l'isolant en natte à l'enceinte de façon à ce qu'il reste dans cette position durant l'installation du réfrigérateur, s'il devient mouillé et s'il y a du vent.

Installation des bouches d'air inférieure et supérieure

1. À l'aide du tableau suivant, déterminez quelles bouches d'air vous devez utiliser et quelles découpes (D) vous devez pratiquer.

Bouche d'air certifiée	N° de RO pièce	Hauteur D	Largeur D
Sortie d'air supérieure de toit	622293	24 po/ (60,96 cm)	5 1/4 po (13,33 cm)
Sortie d'air supérieure latérale	617485	7 1/4 po/ (18,41 cm)	18 po (45,72 cm)
Prise d'air inférieure latérale	617484	9 3/4 po/ (24,76 cm)	19 3/8 po (49,21 cm)
Sortie d'air, universel, supérieur et inférieur	620505	6 3/16 po (15,71 cm)	17 15/16 po (45,56 cm)



2. Installez la bouche de prise d'air inférieure (voir Art01629) :

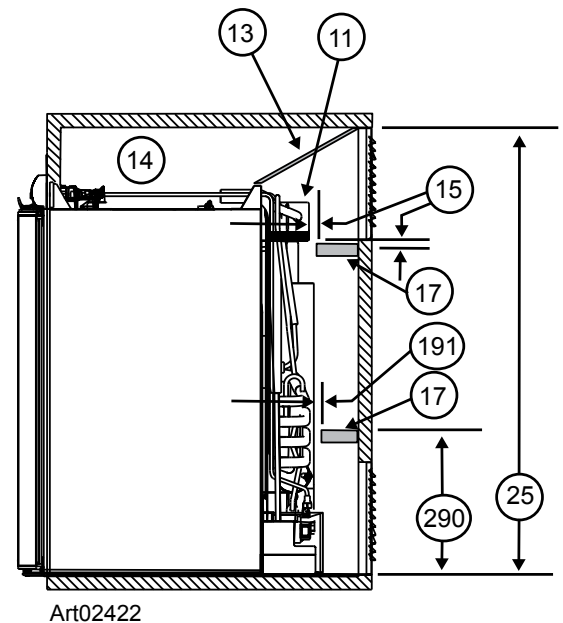
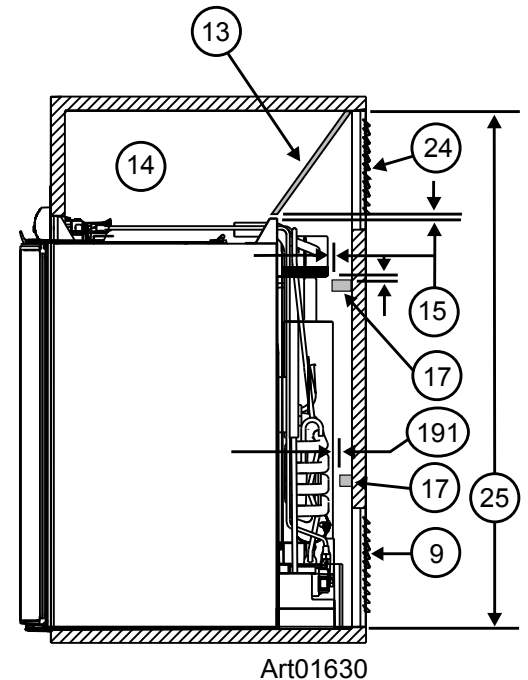


La prise d'air inférieure sert également d'ouverture d'accès aux composants à l'arrière du réfrigérateur.



Veiller à ce que le bas de l'ouverture de la prise d'air inférieure soit de niveau avec le sol, ou juste en dessous. Ainsi, s'il y a fuite du gaz propane, il s'échappe à l'extérieur au lieu de s'accumuler au niveau du sol.

- Assurez-vous que l'ouverture de la bouche de prise d'air inférieure soit au niveau du plancher ou juste en dessous.
 - Alignez la bouche de prise d'air inférieure [9] à la verticale sous le serpentin [10] et le condensateur [11] du réfrigérateur.
3. Poser la bouche d'échappement supérieure (voir Art01630) :
- Si vous installez la bouche de sortie supérieure latérale :
 - S'assurer que la distance [25] entre le bas de l'enceinte et le haut de la découpe de la bouche d'échappement supérieure est d'au moins 37 inches, sinon on risque d'obtenir un mauvais refroidissement.
 - Aligner la bouche d'échappement supérieure [24] à l'horizontale au-dessus de la prise d'air inférieure [9] du réfrigérateur.
 - Installez une cloison de séparation [13] pour empêcher la stagnation d'air chaud dans la zone [14] au-dessus du réfrigérateur (voir Art01249).
 - Assurez-vous qu'il y ait moins de 1/4 po (0,63 cm) de dégagement [15] entre la cloison de séparation et le haut du réfrigérateur.
 - Assurez-vous que la cloison de séparation soit de toute la largeur de l'intérieur de l'enceinte.



- Si, de par la construction du véhicule, la distance [24] ne peut pas être de 37 inches, elle peut être réduite jusqu'à 30 3/4 inches (option uniquement) (voir Art02422) si les conditions suivantes sont remplies :
- Ajouter deux déflecteurs [17] à l'arrière de l'enceinte :
 - S'assurer que la distance [290] entre le bas de l'enceinte et le haut du déflecteur inférieur est comprise entre 10 et 10 1/2 po.
 - S'assurer que le déflecteur inférieur se trouve entre 1/4 et 1/2 po [191] des serpentins du réfrigérateur.
- Placer le déflecteur supérieur au bord inférieur du condenseur [11] du réfrigérateur.
 - S'assurer que le déflecteur supérieur se trouve entre zéro (0) et 1/4 po [15] au-dessous du condenseur du réfrigérateur et à une distance de zéro (0) à 1/4 po de ce condenseur.
- Veiller à ce que les deux déflecteurs fassent toute la largeur de l'intérieur de l'enceinte.
- Si l'on installe la bouche d'échappement de toit (voir Art01631) :

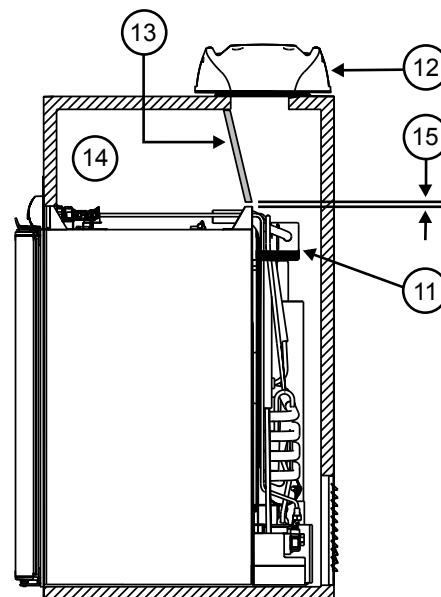


S'assurer de l'absence de sciure, de matériau d'isolation ou d'autres débris de construction sur le réfrigérateur ou dans l'enceinte. Les débris peuvent poser un danger de combustion et empêcher le fonctionnement correct du réfrigérateur.

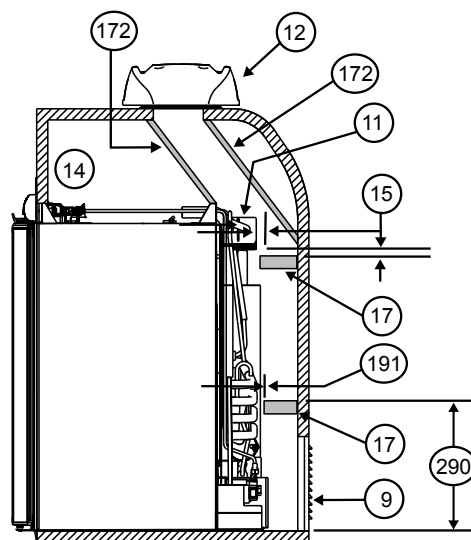


Serrez les vis du chapeau de toit à 10 livres-pouce maximum. S'assurer également que l'écoulement d'air autour de la came d'échappement supérieure de toit n'est pas partiellement ou totalement restreint par d'autres articles montés sur le toit tels que porte-bagage, climatiseur, panneau solaire, etc.

- Si la conception du véhicule le permet, installez la bouche de sortie de toit [12] à la verticale par rapport au condenseur [11] du réfrigérateur.
 - Installez une cloison de séparation [13] pour empêcher la stagnation d'air chaud dans la zone [14] au-dessus du réfrigérateur.
 - Assurez-vous qu'il y ait moins de 1/4 po (0,63 cm) de dégagement [15] entre la cloison de séparation et le haut du réfrigérateur.
 - Assurez-vous que la cloison de séparation soit de toute la largeur de l'intérieur de l'enceinte.
- Si la conception du véhicule empêche l'installation de la bouche d'échappement de toit juste au-dessus du condenseur du réfrigérateur (voir Art01632):
 - Aligner la bouche d'échappement du toit [12] au-dessus de la prise d'air inférieure et la déplacer vers l'intérieur selon le besoin.
 - Installez deux cloisons de séparation [172] pour empêcher la stagnation d'air chaud dans la zone [14] au-dessus du réfrigérateur.
 - Assurez-vous que les deux cloisons de séparation soient de toute la largeur de l'intérieur de l'enceinte.
 - Assurez-vous que les deux cloisons de séparation ne soient pas inclinées de plus de 45° par rapport à la verticale.
 - Placez une cloison entre le bord supérieur arrière du réfrigérateur et le bord intérieur de l'ouverture de la bouche de sortie supérieure.
 - Placez l'autre cloison entre le bord extérieur de l'ouverture de la bouche de sortie supérieure et la paroi latérale du véhicule.



Art01631



Art01632

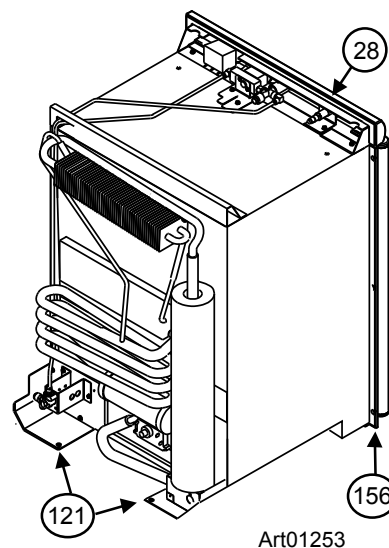
- S'il y a un dégagement de plus de 1 inch entre l'arrière du réfrigérateur et l'enceinte, ajouter deux déflecteurs [171] à l'arrière de l'enceinte (voir Art01630 et Art01632) :
 - S'assurer que la distance [290] entre le bas de l'enceinte et le haut du déflecteur inférieur est comprise entre 10 et 10 1/2 po.
 - S'assurer que le déflecteur inférieur se trouve entre 1/4 et 1/2 po [191] des serpentins du réfrigérateur.
- Placer le déflecteur supérieur au bord inférieur du condenseur [11] du réfrigérateur.
 - S'assurer que le déflecteur supérieur se trouve entre zéro (0) et 1/4 po [15] au-dessous du condenseur du réfrigérateur et à une distance de zéro (0) à 1/4 po de ce condenseur.
- Veiller à ce que les deux déflecteurs fassent toute la largeur de l'intérieur de l'enceinte.

Installation du réfrigérateur

Mettez le réfrigérateur en place (voir Art01253) :



S'assurer que le joint de combustion [28] n'est pas rompu, qu'il entoure complètement les brides de montage [156] du réfrigérateur et qu'il sépare ces brides de la paroi de l'enceinte. Si le joint de combustion est interrompu, des gaz d'échappement peuvent s'infiltrer dans l'habitacle du véhicule. L'inhalation de gaz d'échappement peut causer des vertiges, des nausées ou, dans les cas extrêmes, la mort.



- Démontez la porte du réfrigérateur (voir la section "Inversion du sens d'ouverture de la porte").
- Vissez les vis en passant par les brides de montage du réfrigérateur, dans la paroi de l'enceinte.



Pour éviter de tordre le disjoncteur, veiller à ce que les vis lui soient perpendiculaires et ne pas les serrer trop.

- Remontez la porte du réfrigérateur.
- Mettez une vis par chacun des trous [121] des supports aux deux coins arrière du bas du réfrigérateur et dans le plancher.

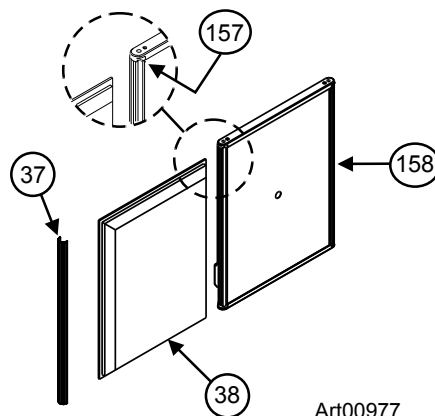
Installation des options

Pose des panneaux décoratifs de porte :



Les panneaux décoratifs doivent être d'une épaisseur maximum de 3/16 inch.

- Fabriquez un panneau décoratif [38] de 25 15/16 po de hauteur sur 20 1/8 po de largeur (voir Art 00977).
- Engagez et poussez le panneau décoratif dans les rainures [157] du cadre [158] de la porte.
- Engagez et poussez chaque fixe-panneau [37] dans la rainure du bord de la porte.



Inversion du sens d'ouverture de la porte :

Ce réfrigérateur a des charnières qui peuvent se poser indifféremment du côté droit ou du côté gauche pour changer le sens d'ouverture de la porte (voir Art00981).

1. Démontez la porte :

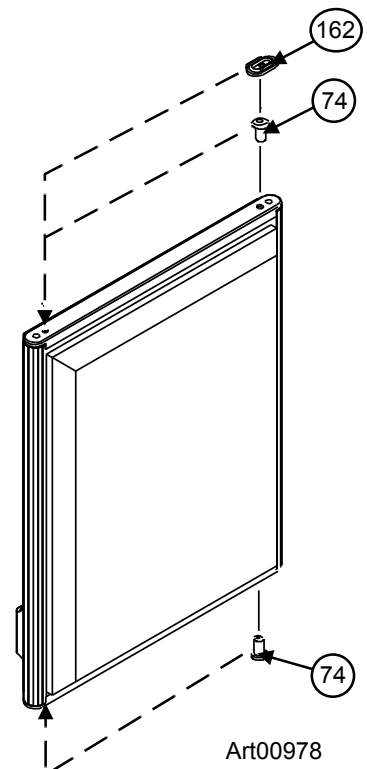
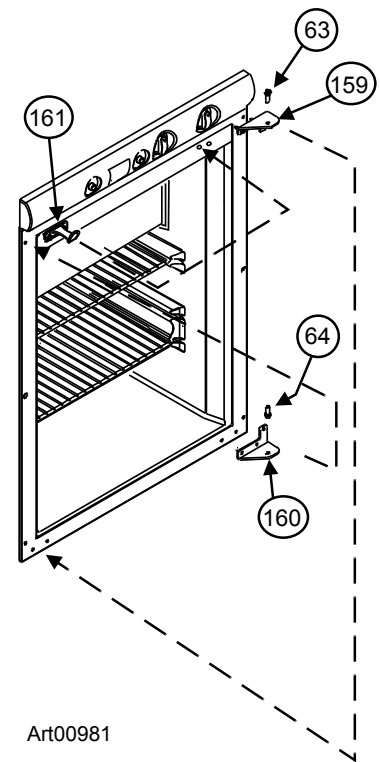
- Ôtez la broche de charnière supérieure [63] et mettez-la de côté.
- Entrouvrez la porte et éloignez le haut de la porte de la charnière supérieure du réfrigérateur.
- Soulevez la porte et dégagez la broche de charnière inférieure [64].
- Ôtez la broche de charnière inférieure et mettez-la de côté.

2. Changez la position des charnières.

- Ôtez les douilles en plastique qui se trouvent dans les trous à chaque extrémité de la porte et mettez-les de côté.
- Ôtez les vis de la charnière supérieure [159].
- Placez cette charnière de l'autre côté où elle devient la charnière inférieure.
- Vissez la charnière en place.
- Introduisez la broche de charnière inférieure dans cette charnière [4].
- Ôtez les vis de la charnière inférieure [160].
- Ôtez la vis du loquet de voyage [161].
- Placez cette charnière de l'autre côté où elle devient la charnière supérieure.
- Vissez la charnière en place.
- Mettez les douilles en plastique dans les trous non occupés à chaque extrémité de la porte.

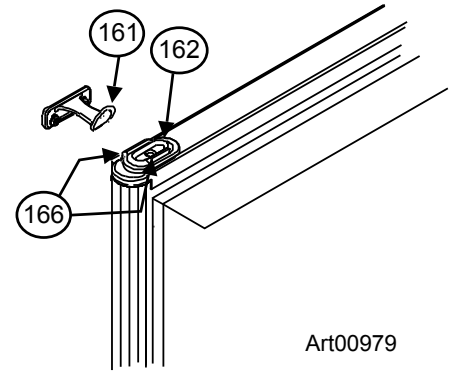
3. Changez la position du loquet de voyage (voir Art00978 et Art00979) :

- Placez le loquet de voyage de l'autre côté du réfrigérateur.
- Vissez le loquet de voyage en place.
- Dévissez la vis de la gâche du loquet de voyage [162] de la porte.
- Ôtez chaque douille en plastique [74] de son trou dans la porte.
- Ôtez le bouchon en plastique du trou du haut de la porte.
- Mettez le bouchon en plastique dans l'autre trou du haut de la porte.
- Mettez la gâche de loquet de voyage de l'autre côté de la porte.
- Vissez la gâche de loquet de voyage.
- Mettez chaque douille en plastique dans son trou de l'autre côté de la porte.



4. Remontez la porte :

- Posez la porte sur la goupille de charnière inférieure.
- Alignez les trous de la charnière supérieure et de la douille de charnière et maintenez la porte en place.
- Vissez la broche de charnière supérieure dans la charnière et dans la porte.
- Serrez toutes les vis.
- Vérifiez que le loquet de voyage s'engage bien dans la gâche de la porte.
 - S'il le faut, desserrez la vis et ajustez la hauteur de la gâche.
- Serrez la vis.



Art00979

Branchement des composants électriques

Alimentation c.a. Appel de courant	Tension : 120 volts c.a. 1,4 A à 110 volts c.c. 1,5 A à 120 volts c.c.	(108 volts mini. - 132 volts maxi.)
Alimentation c.c. (modèles à 3 alimentations seulement) Appel de courant	Tension : 12 volts c.c. 12 A à 12 volts c.c. 14 A à 14 volts c.c.	(13,5 volts mini. - 15,4 volts maxi.)

Ce réfrigérateur fonctionne sur ces sources électriques. L'alimentation hors des limites indiquées ci-dessus risque d'endommager les composants du circuit électrique du réfrigérateur et annule la garantie.



Brancher le(s) cordon(s) d'alimentation c.a. uniquement dans une prise à trois lames avec masse. Ne pas retirer le contact de terre rond des cordons d'alimentation c.a. Ne pas utiliser un adaptateur à deux lames ou une rallonge avec les cordons d'alimentation c.a. L'utilisation du réfrigérateur sans masse appropriée peut causer des chocs électriques dangereux ou la mort en cas de contact avec les parties métalliques du réfrigérateur.

Branchement de l'alimentation en 120 V c.a. :



Brancher le cordon d'alimentation c.a. uniquement dans une prise à trois lames avec masse. Ne pas retirer le contact de terre rond du cordon d'alimentation. Ne pas utiliser un adaptateur à deux lames ou une rallonge. L'utilisation du réfrigérateur sans masse appropriée peut causer des chocs électriques dangereux ou la mort en cas de contact avec les parties métalliques du réfrigérateur.

Branchez le cordon d'alimentation à une prise à trois alvéoles mise à la terre :

- Assurez-vous que la prise se trouve à proximité de la bouche de prise d'air inférieure.
- Assurez-vous que le cordon d'alimentation ne touche pas le couvercle du brûleur, la cheminée ou tout autre composant chaud susceptible d'endommager l'isolant du cordon.

Branchement de l'alimentation en 12 V c.c. (modèles à 3 alimentations seulement) :

Le diamètre des fils et la capacité du fusible dépendent de la distance qui sépare la batterie du véhicule et le réfrigérateur, et augmentent avec la distance. Si le diamètre des fils est trop petit par rapport à la distance, il se produit une baisse de tension. La chute de tension diminue le rendement de l'appareil de chauffage du système et entraîne la diminution du refroidissement.



Si des fils et (ou) fusibles de taille incorrecte sont employés, l'installation électrique risque de prendre feu.

1. Déterminer le calibre minimum de fil et la taille maximum de fusible à utiliser :

- Mesurez la distance qui sépare la batterie du véhicule du réfrigérateur :

- Si la distance est de 0 à 20 feet, utiliser au moins un fil de calibre 12 AWG et un fusible de capacité maximum 20 A.
- Si la distance est de plus de 20 feet, utiliser au moins un fil de calibre 10 AWG et un fusible de capacité maximum 30 A.
- Si le fil est de calibre supérieur à la taille minimum, utiliser un fusible conforme à la norme RVIA A119.2 ou aux codes locaux.

Les fils d'alimentation au réfrigérateur doivent être propres, bien serrés et non corrodés. Si l'une de ces conditions n'est pas réalisée

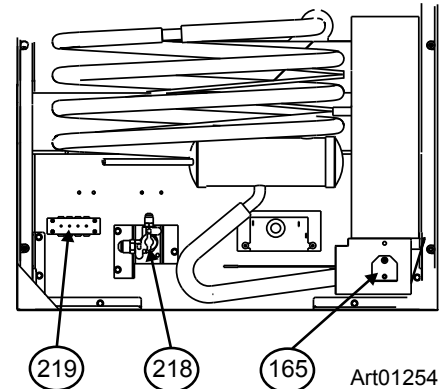
- Il se produit une baisse de tension au réfrigérateur
- La baisse de tension réduit les performances du réfrigérateur.

La polarité des bornes du bloc de raccordement de l'alimentation en c.c. du réfrigérateur est indiquée par les signes + (positif) et - (négatif). Assurez-vous que :

- Les fils d'alimentation en c.c. sont raccordés à la borne de la même polarité.
- Le châssis du véhicule n'est pas utilisé en tant que conducteur.
- Les fils d'alimentation en c.c. avec leurs fusibles sont acheminés directement de la batterie au réfrigérateur.

2. Branchez les fils d'alimentation c.c. :

- Poser un raccord femelle rapide 1/4 inch sur chaque fil d'alimentation c.c.
- Engagez chaque fil d'alimentation dans le bloc de raccordement [219] placé à l'arrière du réfrigérateur (voir Art01254).
- Vérifiez que la polarité du fil d'alimentation c.c. correspond à celle de la borne de raccordement.



Raccordement des composants du système de propane

Ce réfrigérateur est conçu pour fonctionner au propane à une pression de 11 pouces de colonne d'eau.

Raccordement du système d'alimentation en propane :



Faire preuve de grande prudence lors de l'intervention sur le système de gaz propane ou du travail à proximité.

- Ne pas fumer ni utiliser une flamme nue à proximité du système de gaz propane.
- Ne pas se servir d'une flamme nue pour rechercher les fuites.
- Ne pas brancher le réfrigérateur à la bouteille de gaz en l'absence d'un manodétendeur entre les deux.
- Pour éviter une fuite de gaz propane, toujours se servir de deux clés pour serrer ou desserrer les raccords du tuyau d'arrivée de gaz.
- Le gaz propane qui s'échappe risque de s'enflammer ou d'exploser, d'où risque de blessures graves ou mortelles.

Raccordez la conduite d'alimentation en gaz au réfrigérateur :

- Assurez-vous que tous les tuyaux et raccords sont de type et de dimensions conformes aux codes local, provincial et national.
- Assurez-vous que tous les raccords flexibles en métal sont conformes à la norme actuelle CAN1-6.10.
- S'assurer que les matériaux utilisés pour le tuyau d'arrivée de gaz respectent à la fois les normes actuelles NFPA 1192 et ACNOR Z240 pour les véhicules de loisir. Norcold recommande l'utilisation d'un tube en cuivre de 3/8 po comme tuyau d'arrivée de gaz et requiert un raccord femelle conique de 3/8 po SAE (UNF 5/8-18) comme connexion avec le réfrigérateur.

- Faire remonter le tuyau d'arrivée de gaz propane par le plancher de l'enceinte.
- Assurez-vous que le trou du plancher est de dimensions suffisantes pour laisser passer la conduite d'alimentation en gaz avec un dégagement adéquat.
- Placez un joint résistant aux intempéries (anneau, produit d'étanchéité, etc.) autour de la conduite d'alimentation en gaz au point où elle passe par le plancher pour éviter les vibrations et l'usure.
- Pour éviter les vibrations et le frottement, veiller à ce que le tuyau d'arrivée de gaz ne touche rien dans l'enceinte.
- Raccordez la conduite d'alimentation en gaz au raccord [2] du réfrigérateur (voir Art01254).

Détection des fuites du système d'alimentation en gaz :



Ne pas laisser la solution de détection des fuites entrer en contact avec les composants électriques. Nombre de liquides sont conducteurs et peuvent poser des risques de décharge électrique, de court-circuit, voire même d'incendie.

Employer une solution de détection des fuites pour vérifier l'étanchéité du tuyau d'arrivée de gaz et de tous les raccords de gaz propane.

Si vous vous servez d'air comprimé pour faire un essai :

- La pression à la vanne d'arrêt manuelle du réfrigérateur ne doit pas dépasser 1/2 psig (14 po de colonne d'eau)
- Si la pression d'air dépasse 1/2 psig (14 po de colonne d'eau), détachez la conduite d'alimentation en gaz du raccord du réfrigérateur avant d'effectuer l'essai.
- Si la pression d'air est égale ou inférieure à 1/2 psig (14 po de colonne d'eau), fermez la vanne d'arrêt manuelle du réfrigérateur avant d'effectuer l'essai.

