



Owner's Manual

**For models DE / EV 0041 - 3.6 cubic foot, AC / DC electric refrigerators.
For models DE / EV 0061 - 7.0 cubic foot, AC / DC electric refrigerators.
For models DC 0061 - 7.0 cubic foot, DC electric refrigerators.**

Special Requirements for Marine Installations:

These refrigerators are internally wired so that the AC and DC circuits are isolated from each other. If the positive (+12/24 volts) input is grounded (by cuts in the wire insulation, incorrectly insulated components, etc.) a voltage potential can be caused throughout the boat, which causes corrosion to form on any metal parts that are exposed to water.

This condition can be avoided by wiring the boat so that the AC and DC grounds are common and so the wiring is protected per NNMA CERTIFICATION HANDBOOK (1987). Inspect all wiring to make sure that the insulation is not damaged and use plastic wire clamps.

One reference for more information on corrosion is:

BOAT AND YACHT CORROSION CONTROL
by Yacht Corrosion Consultants, Inc.
2368 Eastman Ave. #6
Ventura, CA 93003

English

NORCOLD, Inc.
P.O. Box 4248
Sidney, OH 45365-4248

Norcold Customer Support Dept.
Telephone: 800-543-1219
Fax: 937-497-3183
Web Site: www.norcold.com

Table of Contents

Norcold AC/DC Models - Warranty Policy	2
Norcold AC/DC Models - Warranty Information	3
Norcold AC/DC Models - Warranty Questions	4
Safety Awareness	4
Safety Instructions	4
About Your Refrigerator	5
Usage	5
Storage volume	5
Food compartment	5
Freezer compartment	6
Door latch for travel	6
Interior light	6
Crispers	6
Door Bins	6
Adjustable shelves	6
Operation	7
Controls	7
DC Operation Guidelines	7
Refrigerator Care Checklist	7
Defrosting	7
Cleaning	8
Door Sealing	9
Troubleshooting	9
If refrigerator does not cool correctly in either AC or DC mode	9
Over heating shut-off device operation	9
Low voltage protection system	9
Over current protection system	10
Refrigerator Maintenance Checklist	10
Replacement Parts	10
Wiring Pictorial	11
Wiring Pictorial-DC only	12

NORCOLD DC ONLY Models - One Year Limited Warranty

Norcold, Inc. warrants for a period of one (1) year from the date of purchase that Norcold, Inc. will repair or replace its DC refrigerators.

Limitations of Warranty

1. This warranty is the only warranty for Norcold DC refrigerators. This warranty does not cover glassware, electric light bulbs or replaceable fuses.
2. This warranty does not apply to refrigerators or component parts that have been subjected to misuse, improper installation, abnormal service, transit damage, recharging of cooling unit system, accident, fire, improper repair, tampering or abuse.
3. The duration of any implied warranty is limited to one (1) year.
4. Some states do not allow limitations on how long an implied warranty lasts, so the above limitation may not apply to you.

Limitations of Remedy

1. The responsibility of Norcold under this or any warranty is limited to the repair or replacement (at Norcold's option) of any defective refrigerator or component part.
2. **In no event and under no circumstances shall Norcold be responsible for any other charge whatsoever, including but not limited to charges or claims for labor, lost business, lost time, lost profits, loss of use, or any kind of incidental or consequential damages, however denominated or described.**
3. Some states do not allow for the exclusion or limitation of incidental or consequential damages, so the above exclusion may not apply to you.

To obtain warranty service, contact Norcold Customer Service at (800) 543-1219 or visit our website at www.norcold.com.

Legal Rights

This warranty gives you specific legal rights, and you may have other legal rights which vary from state to state.

NORCOLD AC/DC Models - Two Year Limited Warranty

Norcold, Inc. warrants for a period of two (2) years from the date of purchase that Norcold, Inc. will repair or replace its AC/DC refrigerators.

Limitations of Warranty

1. This warranty is the only warranty for Norcold AC/DC refrigerators. This warranty does not cover glassware, electric light bulbs or replaceable fuses.
2. This warranty does not apply to refrigerators or component parts that have been subjected to misuse, improper installation, abnormal service, transit damage, recharging of cooling unit system, accident, fire, improper repair, tampering or abuse.
3. The duration of any implied warranty is limited to two (2) years.
4. Some states do not allow limitations on how long an implied warranty lasts, so the above limitation may not apply to you.

Limitations of Remedy

1. The responsibility of Norcold under this or any warranty is limited to the repair or replacement (at Norcold's option) of any defective refrigerator or component part.
2. **In no event and under no circumstances shall Norcold be responsible for any other charge whatsoever, including but not limited to charges or claims for labor, lost business, lost time, lost profits, loss of use, or any kind of incidental or consequential damages, however denominated or described.**
3. Some states do not allow for the exclusion or limitation of incidental or consequential damages, so the above exclusion may not apply to you.

To obtain warranty service, contact Norcold Customer Service at (800) 543-1219 or visit our website at www.norcold.com.

Legal Rights

This warranty gives you specific legal rights, and you may have other legal rights which vary from state to state.

Norcold DC only and AC/DC Models - Warranty Information

Your refrigerator is made to provide the ultimate in cooling satisfaction and will serve you reliably in the years to come. Norcold refrigerators offer a standard limited one or two-year warranty dependent on the model.

To activate your one or two-year limited warranty, complete and mail the warranty registration supplied.

Help us to help you.

Write the model number and serial number below for future reference. These numbers are on the serial plate in the refrigerator. The serial plate is located in the fresh food compartment on the top right hand side. Use these numbers when receiving service or in any correspondence concerning your refrigerator.

Model number _____ Serial number _____

If a problem occurs with your refrigerator, contact any of the service centers throughout the United States and Canada. To find an authorized Norcold Service Center near you, please telephone the Norcold Customer Support Dept. at 800-543-1219 (option-1) or visit our web site at www.norcold.com.

Norcold is committed to providing products that are in harmony with the environment. Your Norcold refrigerator meets all environmental safety standards.

Norcold DC only and AC/DC Models - Warranty Questions

This warranty is the only warranty for your Norcold refrigerator. There are no other express warranties. The only uses for this product are described in this manual. Part or model specifications are subject to change without notice.

What does this warranty cover?

This warranty covers labor and freight (ground service only) and costs incurred in removing and reinstalling the refrigerator when necessary to replace a defective part and any parts replaced under warranty (including cooling units).

What is not covered by this warranty?

- Travel expenses for bringing the refrigerator to an authorized Norcold Service Center for warranty coverage.
- Additional costs caused by the inability to bring the refrigerator to an authorized Norcold Service Center.
- Defects which are caused by transit damage, misuse, neglect, or accident.
- Manufacturing defects found at the time of purchase, parts replaced under warranty, and associated labor, which the original consumer-purchaser does not communicate to Norcold within 30 days.
- Labor, performed without need for parts replacements, which the original consumer-purchaser does not communicate to Norcold within 30 days.
- Defects in glassware, electric light bulbs, or replacement fuses.
- Defects caused by improper installation, maintenance, or adjustment.
- Normal maintenance of this refrigerator as described in this manual.
- Defects caused by the improper use of parts or parts not manufactured or supplied by Norcold for repairs or replacements to the refrigerator.

Norcold will not be liable for any incidental or consequential loss or damage, due directly or indirectly to the use of this product. Some states do not allow the exclusion or limitation of incidental or consequential damages, so the above may not apply to you.

How long does this warranty last?

This warranty is effective for a period of one or two years from date purchased dependent on the model.

What will Norcold do?

Norcold will provide free service and replacement of defective parts, at no charge, at all authorized Norcold Service Centers. Norcold has the option of replacing the defective parts or the entire refrigerator. If the refrigerator is replaced, Norcold is not responsible for replacing dealer installed options.

How do you get service?

Bring the refrigerator to any authorized Norcold Service Center and show proof that the defective item is within warranty coverage.

If you are unable to bring the refrigerator to an authorized Norcold Service Center:

- Send a written notice of the defect to Norcold.
- Norcold will promptly advise you how to obtain warranty service.

What rights do you have?

This warranty gives you specific legal rights. You may also have other rights which vary from state to state.

Safety Awareness

Read this manual carefully and understand the contents before you use the refrigerator.

Be aware of possible safety hazards when you see the safety alert symbol on the refrigerator and in this manual. A signal word follows the safety alert symbol and identifies the danger of the hazard. Carefully read the descriptions of these signal words to fully know their meanings. They are for your safety.



WARNING This signal word means a hazard, which if ignored, can cause dangerous personal injury, death, or much property damage.



CAUTION This signal word means a hazard, which if ignored, can cause small personal injury or much property damage.

Safety Instructions



- The storage of flammable materials behind or around the refrigerator creates a fire hazard. Do not use the area behind the refrigerator to store anything, especially flammable materials (gasoline, cleaning supplies, etc.)
- Do not store any explosive substance, such as aerosol cans with flammable propellant, in this refrigerator.
- (DE0041/DE0061/EV0041 & EV0061 Models Only) Do not remove the round ground prong from the refrigerator AC power cord. Do not use a two prong adapter or extension cord on the AC power cord.
- A circuit overload can result in an electrical fire if the wires and/or fuses are not the correct size. Use only the wire and fuse sizes as written in the "Installation Manual".



- Incorrect installation, adjustment, change to, or maintenance of this refrigerator can cause personal injury, property damage, or both. Have service and maintenance work done by your dealer or by an authorized Norcold Service Center.
- DE and EV refrigerators have more than one power supply. (DE0041/DE0061/EV0041 & EV0061 Models Only) Disconnect both the AC and DC power sources before doing any maintenance work on the refrigerator. All service work on this refrigerator must be done by a qualified service technician.
- For DC0061 Models, disconnect the DC power source before doing any maintenance work on the refrigerator. All service work on this refrigerator must be done by a qualified service technician.
- Do not bypass or change the refrigerator's electrical components or features.
- When you discard an appliance, remove all doors to prevent accidental entrapment and suffocation.
- Do not spray liquids near electrical outlets, connections, or the refrigerator components. Many liquids are electrically conductive and can cause a shock hazard, electrical shorts, and in some cases fire.
- The rear of the refrigerator has sharp edges and corners. To prevent cuts or abrasions when working on the refrigerator, be careful and wear cut resistant gloves.
- This appliance is not intended for use by persons (including children) with reduced physical, sensory or mental capabilities, or lack of experience or knowledge, unless they have been given supervision or instruction concerning use of the appliance by a person responsible for their safety. Children should be supervised to ensure that they do not play with the appliance.

About Your Refrigerator

Usage:

This refrigerator is made for use within a recreational vehicle. As such, it is suitable for camping, but do not expose the refrigerator to rain.

Storage Volume:

This refrigerator is made to store fresh and frozen foods and for making ice.

Total capacity DE / EV0041 3.6 cubic feet

Total capacity DC / DE / EV0061 7.0 cubic feet

Food compartment:

Start up the refrigerator and let it cool for eight hours before loading with food. If the refrigerator does not start to cool down after about two hours, contact your dealer or an authorized Norcold Service Center.

For the best cooling performance:

- Let air move freely inside the entire food compartment.
- Do not cover the shelves with plastic, paper, etc.

To decrease the amount of ice that collects on the freezer plates:

- Cover all liquids and moist foods.
- Let all hot foods cool before putting them in the refrigerator.
- Do not open the door any longer than necessary.

Freezer compartment:

The freezer compartment is made to keep pre-frozen food frozen and not to quick freeze food. Keep pre-frozen foods in the freezer compartment.

NOTICE NOTE: When making ice, put the ice cube tray directly on the freezer surface. Do not put other items on the ice cube tray while the water is freezing. The water freezes more rapidly if the power switch / thermostat is at the coldest temperature setting.

Door latch for travel:

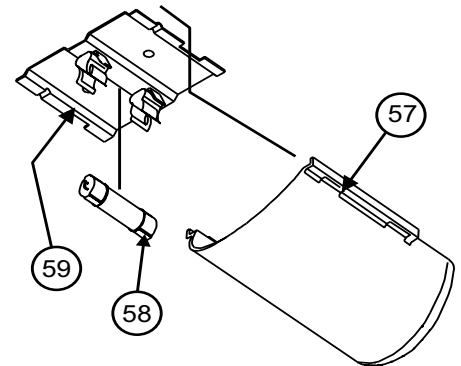
During travel, the door latch prevents the door from opening. There are no chains, slides, or any devices that you must engage.

Interior light:

The DE / EV0041 interior light is located on the left wall of the fresh food compartment. The DC / DE / EV0061 interior light is located behind the divider that separates the freezer compartment from the fresh food compartment.

The interior light comes on when the refrigerator is ON and the door is open. To replace the bulb:

1. Use tape to hold the light switch down, which removes power from the light circuit.
2. Remove the cover [57] by pulling it toward the front of the refrigerator (See Art00988).
3. Remove the light bulb [58] from the holder [59].



Art00988

NOTICE Use only a GE#214-2 bulb (7W max.) as the replacement bulb. This bulb is available at most retail automotive parts centers.

4. Install the replacement bulb.
5. Install the cover.
6. Remove the tape from the light switch.

Crisper(s):

The crisper(s) are located at the bottom of the fresh food compartment and supply a storage area to preserve fruit and vegetable freshness. Make sure that you always push the crispers fully in.

NOTICE Do not wash the crispers in a dishwasher. The crispers are not dishwasher safe.

Door bins:

You may put the door bins [52] of the freezer and fresh food compartment in a location that best meets your needs (see Art00989). To remove the bins, lift them over the locator and pull them forward. To install the bins, push them onto the locator.

NOTICE Do not wash the door bins and bin slides in a dishwasher. The door bins and bin slides are not dishwasher safe.

Adjustable shelves:

The shelves in the freezer and the fresh food compartment are made so you can remove them or move them.

To remove or move each shelf of the fresh food compartment and freezer:

- Remove the screw from the retainer of each shelf at the rear of the refrigerator.
- Pull each shelf forward out of the slot.
- Push each shelf fully into the slot that you wish.
- Attach the retainer with the screw.

Operation

Controls:

The power switch / thermostat [96] controls operation of the refrigerator (See Art02280). When the power switch / thermostat is in the "OFF" position, no voltage is supplied to the cooling system and the refrigerator uses no AC or DC voltage.

The green power indicator [185] illuminates when the power switch / thermostat is in any position except the "OFF" position and the cooling system is energized.

The power switch / thermostat also controls the temperature of the refrigerator. Number 5 is the coldest temperature setting. When you start up the refrigerator, turn the thermostat to the 5 position. Allow the refrigerator to cool down for eight hours and then turn the thermostat to the temperature setting that you wish.

DE /EV refrigerators operate on either AC and DC voltage or DC voltage only. If both AC and DC power sources are connected to the refrigerator, it operates on AC voltage. If AC power becomes unavailable, such as when you disconnect shoreline power, the refrigerator operates on DC power.



Do not operate the refrigerator when the ambient temperature is higher than 110° F. Operation when the ambient temperature is higher than 110° F. can cause poor cooling performance and permanent damage to the compressor.

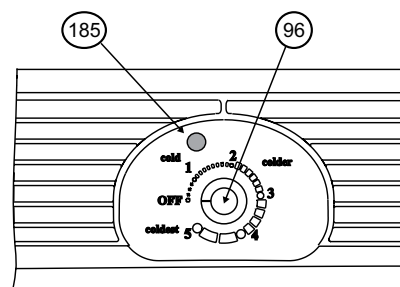
DC Operation Guidelines:



Do not operate the refrigerator on battery power only. Operation of the refrigerator directly from the battery will rapidly discharge the battery. Correctly supply DC power to the refrigerator.

The refrigerator gets DC power from the vehicle battery system. The battery system also supplies power to any other DC appliances or accessories of the vehicle.

A dual battery system provides the best power usage. This system uses two batteries. One battery supplies DC power only to the vehicle engine and its accessories. The second battery supplies DC power only to the DC appliances of the vehicle. An alternator, powered by the vehicle engine, charges both of the batteries.



Art02280

Refrigerator Care Checklist

Your refrigerator will give you years of trouble free service if you do these simple checks every three to six months:

- Keep the food compartment and the freezer clean. See "Cleaning".
- Defrost the refrigerator as necessary. See "Defrosting".
- Make sure the door seals correctly. See "Door Sealing".
- Be aware of any cooling changes that are not because of weather, loading, or thermostat changes. If changes occur, contact your dealer or an authorized Norcold Service Center.
- Make sure the air flow in the lower intake vent, through the refrigerator condenser and coils and out the upper exhaust vent is not blocked or decreased.
- Make sure the area behind the refrigerator is clear. Do not use the area behind the refrigerator for storage of anything, especially combustible materials, especially gasoline and other flammable vapors and liquids.

Defrosting:

The freezer plates of the refrigerator operate at below freezing temperature and will naturally form frost from humidity, which is always present in the air. The humidity inside the refrigerator increases:

- with higher outside temperature and humidity.
- with the storage of non-sealed fresh foods or warm foods.
- with the amount of time that the door(s) are open.
- with any air leakage into the refrigerator.

It is normal for frost to collect inside the refrigerator. Excess frost decreases the cooling performance of the refrigerator. Defrost the refrigerator as necessary:

- Remove all food from the refrigerator.
- Turn the refrigerator OFF.

NOTICE

Defrosting the refrigerator makes excess water inside the refrigerator, which falls onto the drip tray and flows to the outside of the refrigerator through the drain tube.

- Put dry towels (etc.) inside the refrigerator to help remove the excess water.



High temperatures can cause the inside surfaces of the refrigerator to warp or melt. Do not use pans of HOT water, a hair dryer, or any other high temperature devices to defrost the refrigerator. Do not use any hard or sharp objects to remove frost. Damage to the interior of the refrigerator can occur.

- To increase the speed of defrosting, put pans of WARM water in the refrigerator.
- Remove the wet towels (etc.) and dry the interior.
- Start up the refrigerator.
- Allow the refrigerator to cool down.
- Return all food to the refrigerator.
- To increase the speed of defrosting, put pans of WARM water in the refrigerator.
- Remove the wet towels (etc.) and dry the interior.
- Start up the refrigerator.
- Allow the refrigerator to cool down.
- Return all food to the refrigerator.

Cleaning:

A good time to clean the refrigerator is just after you defrost it.

Clean the inside of the refrigerator as often as necessary to avoid food odors:

- Remove all food from the refrigerator.

NOTICE

Do not use abrasive cleaners, chemicals, or scouring pads because they can damage the interior of the refrigerator.

- Wash the interior with a mild cleaner or a solution of liquid dish detergent and warm water.
- Rinse with a solution of baking soda and clean water.
- Dry with a clean cloth.
- Put all food back into the refrigerator.

To remove and clean the drip tray:

- Make sure that the drip tray is empty of water.
- Pull the drain tube plug out from the inside of the drip tray and out of the drain hose.
- Pull the drip tray down to remove from the slots in the refrigerator cabinet.
- Clean the drip tray.
- Put the drain tube plug down into the drip tray and push the drip tray back into the original position.
- Push the drain hose back onto the drain tube plug.

Door sealing:

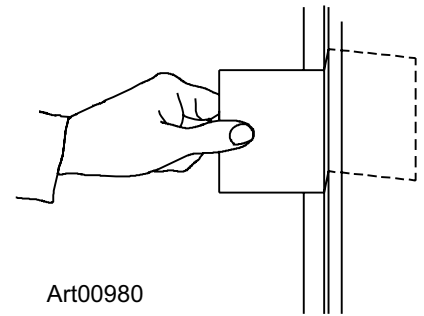
If the door does not seal correctly, excess frost will collect inside the refrigerator. Make sure the door seals correctly:

- Close the door on a piece of paper that is about the size of a dollar bill (See Art00980).
- Gently pull the paper.
 - You should feel a slight drag between the gasket and the cabinet.
 - Do this on all four sides of the door.
 - If you do not feel a slight drag on the paper, the door is not sealing correctly.
- Have your dealer or an authorized Norcold Service Center correct the seal of the door.

Troubleshooting

If the refrigerator does not cool correctly in either AC or DC mode:

- Make sure the power switch / thermostat is not in the OFF position.
- Make sure the power switch / thermostat is at the temperature setting that you wish.
- Make sure that the power source(s) to the refrigerator is serviceable.
- Make sure that the fuse or circuit breaker is intact (See "Over current protection system")
- Make sure that the refrigerator is correctly installed and that the built in vents are not blocked.
- Make sure that the ambient temperature is not unusually high (more than 110° F. / 43° C.) (See "Over heating shut-off device operation").
- Make sure that the door is closed.
- If the weather is hot, make sure that the door is sealing correctly.
- Make sure that the air circulation inside the refrigerator is not decreased by foods or by shelves that are covered with plastic, paper, etc.
- Make sure that hot foods were not placed in the fresh food compartment of the refrigerator.
- Make sure that the freezer is defrosted.



After you make these checks, if the refrigerator does not operate, contact your dealer or an authorized Norcold Service Center.

Over heating shut-off device operation:

Operating the refrigerator in high ambient temperatures can over heat the cooling unit and cause premature failure of the compressor (See the label inside the refrigerator).

To protect the cooling unit from over heating, the refrigerator will automatically shut-off when the temperature of the power module is higher than 212° F (100° C). The refrigerator will not restart until the temperature of the power module is lower than 176° F. (80° C).

Low voltage protection system:

In order to prevent completely draining the battery, the refrigerator will automatically shut-off when the DC supply voltage becomes too low. The refrigerator will not restart until the DC supply voltages increases. These shut-off and restart voltage levels are:

12VDC Operation

Shut-off 10.9 VDC
Restart 12.2 VDC

24 VDC Operation

Shut-off 23.8 VDC
Restart 25.2VDC

If the DC supply voltage is between 17.0 and 23.8 VDC, the refrigerator will not operate.

Over current protection system:

Your refrigerator has an over current protection system in the electronic circuit to prevent damage to the inverter which may occur due to a reverse polarity connection.

If the refrigerator does not operate and the green power light does not come on, check the fuse, which is located in-line with the DC connector, and the polarity of the DC power supply. If the refrigerator still does not operate, another problem can exist in the power module. Have an authorized Norcold Service Center check the refrigerator.

Refrigerator Maintenance Checklist

Read and understand the following maintenance sections of this manual.

NOTICE Norcold is not responsible for installation, adjustment, alteration, service, or maintenance performed by anyone other than an authorized Norcold Service Center.

Have an authorized Norcold Service Center do these annual safety and maintenance checks:

- Make sure the AC and DC voltages are correct (See the “Electrical current necessary” section).
- The wire connections must be clean, tight and free of corrosion. If any of these items are not correct:
 - A voltage drop to the refrigerator will occur.
 - The voltage drop will decrease the cooling performance of the refrigerator.

CAUTION Disconnect the positive (+) DC power supply wire from the battery before you do a “fast charge” of the battery. Failure to disconnect the positive (+) power supply wire from the battery during a “fast charge” can cause damage to the refrigerator or other 12 volt DC appliances.

- Make sure the area at the rear of the refrigerator is free of anything, especially combustible materials, gasoline, and other flammable vapors and liquids.

Replacement Parts

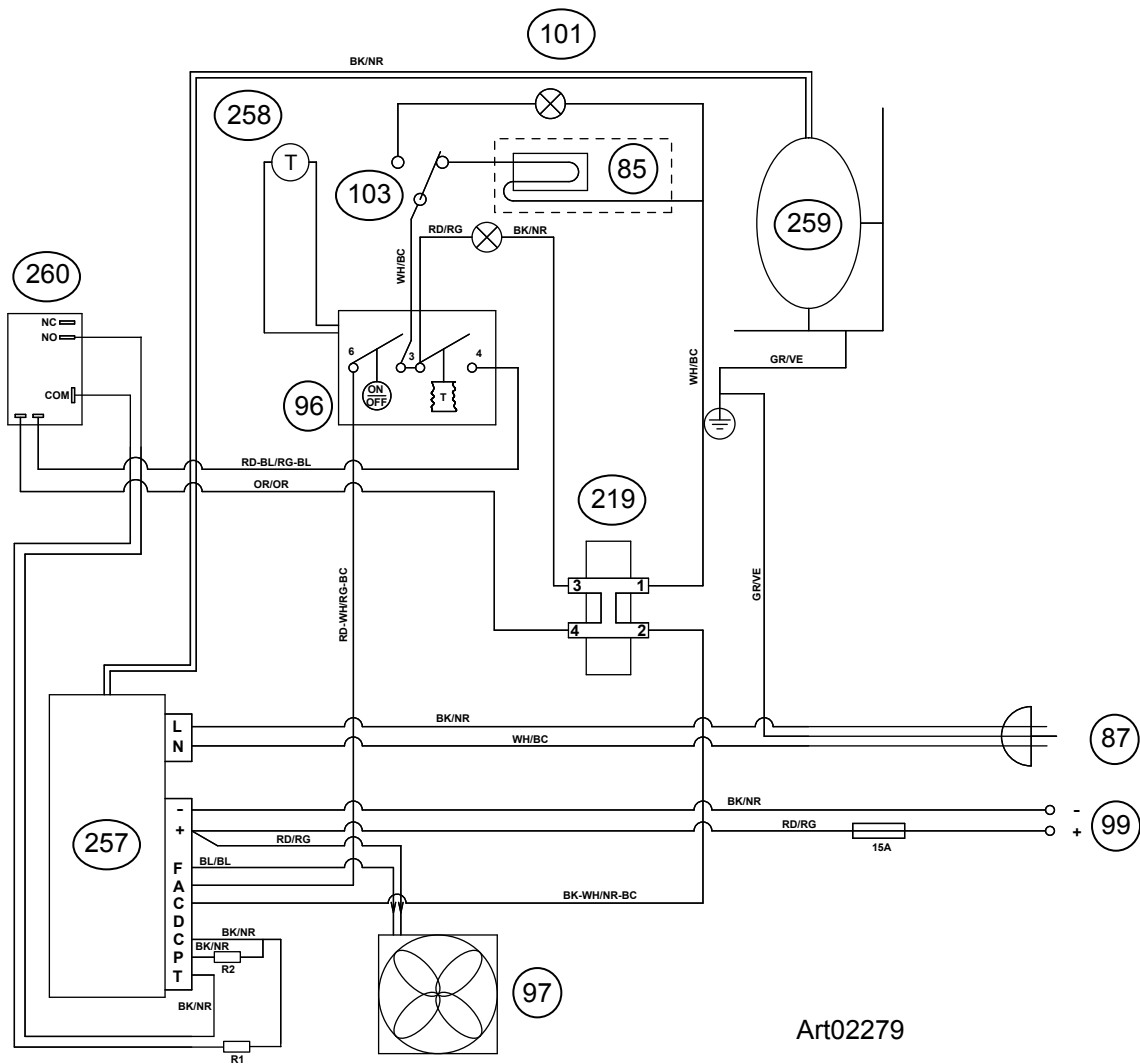
You may purchase replacement parts through your dealer or an authorized Norcold Service Center.

CAUTION If the supply cord is damaged, it must be replaced by the manufacturer, its service agent or similarly qualified persons in order to avoid a hazard.

Wiring Pictorial- DE/EV Models only

The parts of the wiring pictorial are (See Art02279):

- 257..... Power module
- 99..... DC input
- 87..... AC input
- 96..... Thermostat / power switch
- 258..... Evaporator sensor
- 259..... Compressor
- 97..... 12 VDC fan
- 101..... Interior light
- 103..... Door switch(s)
- 85..... Divider heater (DE / EV0061 models only)
- 260..... Relay
- 219..... Terminal block

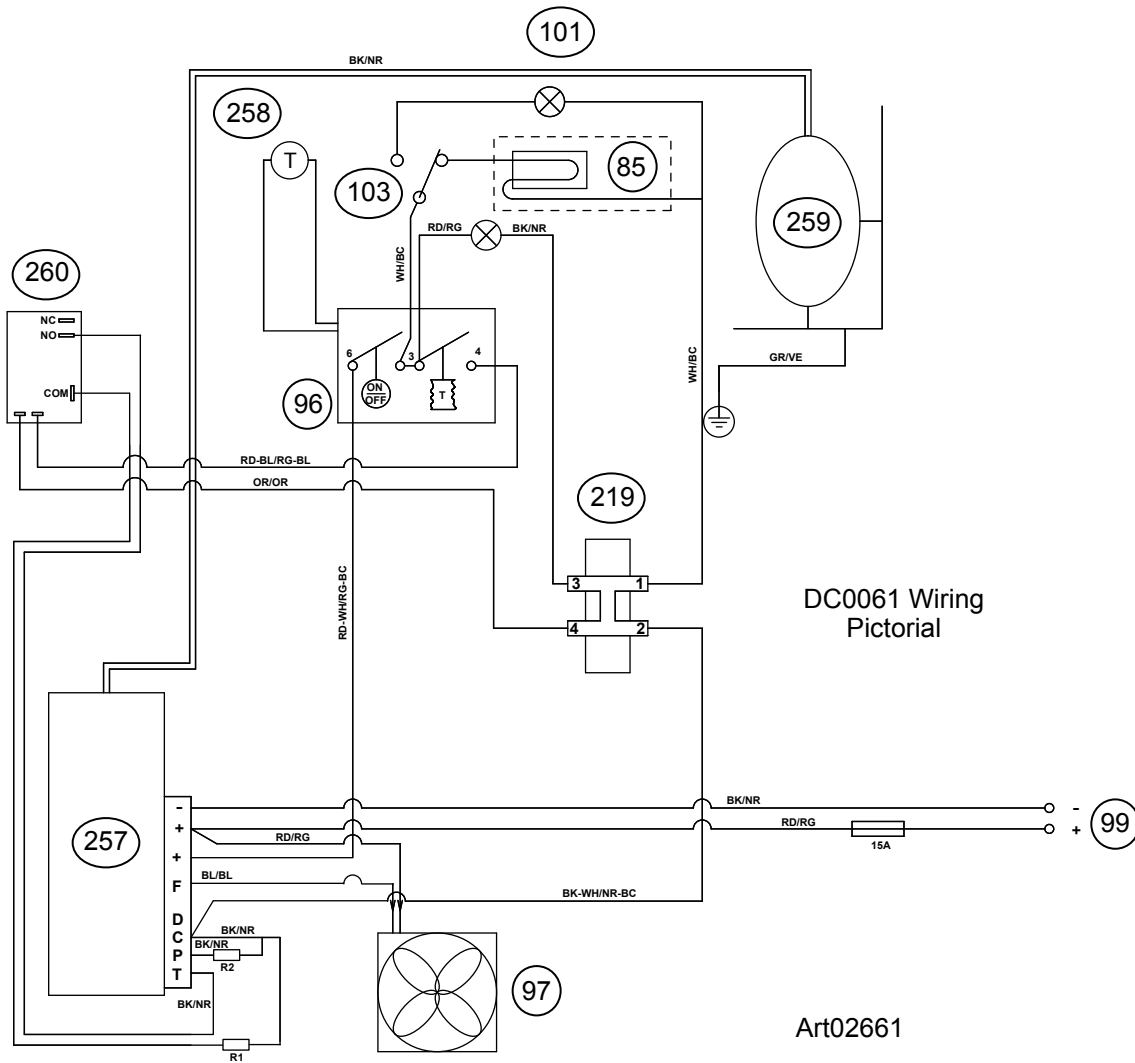


Art02279

Wiring Pictorial- DC Models only

The parts of the wiring pictorial are (See Art02661):

- 257.....Power module
- 99.....DC input
- 96.....Thermostat / power switch
- 258.....Evaporator sensor
- 259.....Compressor
- 97.....12 VDC fan
- 101.....Interior light
- 103.....Door switch(s)
- 85.....Divider heater (DEC0061 models only)
- 260.....Relay
- 219.....Terminal block



DC0061 Wiring Pictorial

Art02661



Manuel d'installation et d'utilisation

Pour les réfrigérateurs électriques c.a./c.c. modèles DE / EV 0041 - 3.6 ft³ (101,9 l).
Pour les réfrigérateurs électriques c.a./c.c. modèles DE / EV 0061 - 7.0 ft³ (198,2 l).
Pour les réfrigérateurs électriques d/c. modèles DC0061 - 7.0 ft³

Consignes spéciales pour les installations nautiques :

Ces réfrigérateurs sont câblés intérieurement de façon à ce que les circuits c.a. et c.c. soient isolés l'un de l'autre. Si l'entrée positive (+12/24 V) est mise à la terre (par des coupures dans l'isolation des fils, une mauvaise isolation des composants, etc.) un potentiel électrique peut parcourir le bateau, entraînant la formation de corrosion sur toutes les pièces métalliques en contact avec l'eau.

Il est possible d'éviter ce problème en câblant le bateau de façon à ce que les masses c.a. et c.c. soient communes et que les câbles soient protégés conformément au NMMA CERTIFICATION HANDBOOK (1987) (guide d'homologation de la National Marine Manufacturers Association [association américaine des fabricants de produits nautiques]). Inspecter l'ensemble des câbles pour s'assurer que l'isolation n'est pas endommagée et que l'on utilise des serre-fils en plastique.

Parmi les ouvrages de référence offrant plus d'informations sur la corrosion, consulter :

BOAT AND YACHT CORROSION CONTROL
(Contrôle de la corrosion sur les navires et bateaux de plaisance)
par Yacht Corrosion Consultants, Inc.
2368 Eastman Ave. #6
Ventura, CA 93003 (États-Unis)

Français

NORCOLD, Inc.
P.O. Box 4248
Sidney, OH 45365-4248 (États-Unis)

Service après-vente Norcold
Téléphone : 800-543-1219
Télécopieur : 937-497-3183
Site Web : www.norcold.com

Réf. 6345743C 8/30/2017)

Table des matières

Modèles C.A./C.C. NORCOLD - Garantie limitée de deux ans.....	2
Modèles C.A./C.C. NORCOLD - Renseignements au sujet de la garantie.....	3
Modèles C.A./C.C. NORCOLD - Informations sur la garantie.....	3
Modèles C.A./C.C. NORCOLD - Questions sur la garantie.....	4
Signalisation de la sécurité.....	4
Consignes relatives à la sécurité.....	5
Le réfrigérateur.....	5
Emploi.....	5
Volume d'entreposage.....	6
Compartiment pour les aliments.....	6
Compartiment congélateur.....	6
Loquet de porte pour le voyage et l'entreposage.....	6
Éclairage intérieur.....	6
Bac(s) à légumes.....	6
Casiers de porte.....	7
Clayettes réglables.....	7
Utilisation.....	7
Commandes.....	7
Directives pour le fonctionnement en courant continu.....	7
Liste de contrôle de l'état du réfrigérateur.....	8
Dégivrage.....	8
Nettoyage.....	8
Fermeture étanche de la porte.....	9
Dépannage.....	9
Si le réfrigérateur ne refroidit pas correctement en mode c.a. ou c.c.....	9
Arrêt en cas de surchauffe.....	10
Protection contre les tensions insuffisantes.....	10
Protection contre les surintensités.....	10
Liste de contrôle de l'entretien du réfrigérateur.....	10
Pièces de rechange.....	10
Schéma de câblage.....	11
Schéma de câblage DC.....	12

Modèles C.A./C.C. NORCOLD - Garantie limitée d'un an

Norcold, Inc. garantit pour une période d'un (1) an à compter de la date d'achat que Norcold, Inc. réparera ou remplacera ses réfrigérateurs DC.

Restrictions de la garantie

1. La présente garantie est la seule applicable aux réfrigérateurs c.a./c.c. Norcold. Elle ne couvre pas la verrerie, les ampoules électriques et les fusibles remplaçables.
2. La présente garantie ne s'applique pas aux réfrigérateurs ou composants qui ont fait l'objet d'une mauvaise utilisation, d'une installation incorrecte, d'un entretien déficient, de dommages de transport, de recharge de l'unité frigorifique, d'un accident, d'un incendie, d'une réparation inappropriée, d'une intervention intempestive ou d'un usage abusif.
3. Aucune garantie tacite ne peut s'étendre au-delà de deux (2) ans.
4. La restriction de la durée d'une garantie tacite n'étant pas autorisée dans toutes les circonscriptions, la clause restrictive ci-dessus ne s'applique pas à tous les utilisateurs.

Restrictions sur le recours

1. La responsabilité de Norcold en vertu de la présente garantie ou de toute autre garantie se limite à la réparation ou au remplacement (au gré de Norcold) du réfrigérateur ou du composant présentant le défaut.
2. **Norcold décline toute responsabilité aucune pour ce qui est des autres frais y compris, mais sans s'y limiter, frais ou demandes d'indemnité au titre de main-d'oeuvre, perte d'exploitation, temps mort, manque à gagner, perte d'emploi ou tous dommages accessoires ou indirects, quelle qu'en soit l'appellation ou la description.**
3. L'exclusion ou la restriction des dommages accessoires ou indirects n'étant pas autorisée dans toutes les circonscriptions, les clauses restrictives ci-dessus ne s'appliquent pas à tous les utilisateurs.

Pour obtenir des prestations de garantie, appeler le Service à la clientèle de Norcold au (800) 543-1219, ou rendre visite à notre site Web www.norcold.com.

Droits juridiques

La présente garantie confère des droits juridiques particuliers auxquels peuvent s'ajouter d'autres droits variant selon les circonscriptions.

Modèles C.A./C.C. NORCOLD - Garantie limitée de deux ans

Norcold, Inc. offre une garantie de réparation ou de remplacement sur ses réfrigérateurs c.a./c.c. pendant une période de deux (2) ans à compter de la date d'achat.

Restrictions de la garantie

1. La présente garantie est la seule applicable aux réfrigérateurs c.a./c.c. Norcold. Elle ne couvre pas la verrerie, les ampoules électriques et les fusibles remplaçables.
2. La présente garantie ne s'applique pas aux réfrigérateurs ou composants qui ont fait l'objet d'une mauvaise utilisation, d'une installation incorrecte, d'un entretien déficient, de dommages de transport, de recharge de l'unité frigorifique, d'un accident, d'un incendie, d'une réparation inappropriée, d'une intervention intempestive ou d'un usage abusif.
3. Aucune garantie tacite ne peut s'étendre au-delà de deux (2) ans.
4. La restriction de la durée d'une garantie tacite n'étant pas autorisée dans toutes les circonscriptions, la clause restrictive ci-dessus ne s'applique pas à tous les utilisateurs.

Restrictions sur le recours

1. La responsabilité de Norcold en vertu de la présente garantie ou de toute autre garantie se limite à la réparation ou au remplacement (au gré de Norcold) du réfrigérateur ou du composant présentant le défaut.
2. **Norcold décline toute responsabilité aucune pour ce qui est des autres frais y compris, mais sans s'y limiter, frais ou demandes d'indemnité au titre de main-d'oeuvre, perte d'exploitation, temps mort, manque à gagner, perte d'emploi ou tous dommages accessoires ou indirects, quelle qu'en soit l'appellation ou la description.**
3. L'exclusion ou la restriction des dommages accessoires ou indirects n'étant pas autorisée dans toutes les circonscriptions, les clauses restrictives ci-dessus ne s'appliquent pas à tous les utilisateurs.

Pour obtenir des prestations de garantie, appeler le Service à la clientèle de Norcold au (800) 543-1219, ou rendre visite à notre site Web www.norcold.com.

Droits juridiques

La présente garantie confère des droits juridiques particuliers auxquels peuvent s'ajouter d'autres droits variant selon les circonscriptions.

Norcold DC uniquement et modèles AC / DC - Informations sur la garantie

Le réfrigérateur est conçu pour offrir satisfaction, fiabilité et longévité optimales. Les réfrigérateurs Norcold sont couverts par une garantie standard limitée de deux ans.

Pour activer votre garantie limitée d'un ou deux ans, complétez et envoyez-nous l'enregistrement de garantie fourni.

Pour faciliter le processus, suivre la procédure ci-après.

Inscrire les numéros de modèle et de série ci-dessous pour pouvoir s'y reporter par la suite. Ces numéros sont inscrits sur la plaque d'identification située à l'intérieur du réfrigérateur, dans le compartiment de denrées fraîches en haut et à droite. Mentionner ces numéros pour toute demande d'assistance technique ou dans toute correspondance concernant le réfrigérateur.

Numéro de modèle _____ Numéro de série _____

En cas de problème avec le réfrigérateur, contacter un des centres de service après-vente des États-Unis et du Canada. Pour trouver le centre Norcold le plus proche, prière de téléphoner au Service après-vente Norcold, au 800-543-1219 (option 1) ou de rendre visite à notre site Web, www.norcold.com.

Norcold tient à ce que ses produits soient en harmonie avec l'environnement. Ce réfrigérateur Norcold satisfait toutes les normes de protection de l'environnement.

Norcold DC uniquement et modèles AC / DC - Questions de garantie

La présente garantie est la seule applicable à ce réfrigérateur Norcold. Aucune autre garantie expresse ne s'applique. Les seuls emplois autorisés de ce produit sont décrits dans ce manuel. Les caractéristiques techniques concernant les pièces ou les modèles sont sujettes à modification sans préavis.

Portée de la garantie

La présente garantie couvre la main-d'oeuvre et le transport (au sol seulement) ainsi que les frais encourus lors de la dépose et la réinstallation du réfrigérateur requises en vue du remplacement d'une ou de plusieurs pièces présentant un vice sous garantie (frigorifères compris).

Exclusions de la garantie

- Frais de transport du réfrigérateur jusqu'à un centre de service après-vente agréé Norcold pour prestations de la garantie.
- Frais supplémentaires causés par l'incapacité d'amener le réfrigérateur à un centre de service après-vente agréé Norcold.
- Défauts dus à des dommages de transport, une mauvaise utilisation, une négligence ou un accident.
- Vices de fabrication décelés au moment de l'achat, pièces remplacées sous garantie et main-d'oeuvre connexe non portés à la connaissance de Norcold par le consommateur-acheteur d'origine dans les 30 jours.
- Frais de main-d'oeuvre sans remplacement de pièces et non portés à la connaissance de Norcold par le consommateur-acheteur d'origine dans les 30 jours.
- Défauts dans la verrerie, les ampoules électriques ou les fusibles de rechange.
- Vices causés par l'installation, l'entretien ou le réglage incorrect(e).
- Entretien systématique de ce réfrigérateur tel que décrit dans ce manuel.
- Vices causés par l'usage incorrect de pièces ou l'emploi de pièces ni fabriquées ni fournies par Norcold à des fins de réparation ou de remplacement dans le réfrigérateur.

Norcold décline toute responsabilité quant aux pertes ou dégâts accessoires ou indirects, dus directement ou indirectement à l'emploi de ce produit. L'exclusion ou la restriction des dommages accessoires ou indirects n'étant pas autorisée dans toutes les circonscriptions, les clauses restrictives ci-dessus ne s'appliquent pas à tous les utilisateurs.

Durée de la garantie

Cette garantie prend effet pour une période d'un ou deux ans à compter de la date d'achat dépend du modèle.

Prestations de Norcold

Norcold s'engage à réviser et remplacer gratuitement les pièces défectueuses à tous ses centres de service après-vente agréés. Norcold a le choix de remplacer soit les pièces défectueuses soit le réfrigérateur en entier. Si le réfrigérateur est remplacé, Norcold n'est pas responsable du remplacement des options installées par le concessionnaire.

Service

Amener le réfrigérateur à l'un quelconque des centres de service après-vente agréés Norcold, accompagné d'un justificatif de garantie.

Si le client se trouve dans l'impossibilité d'amener le réfrigérateur à un centre de service après-vente agréé Norcold :

- Informer Norcold du problème par écrit.
- Norcold fera savoir au client la procédure à suivre pour obtenir les prestations de garantie.

Droits du client

La présente garantie confère des droits juridiques particuliers auxquels peuvent s'ajouter d'autres droits variant selon les circonscriptions.

Signalisation de la sécurité

Lire soigneusement ce manuel et en assimiler le contenu avant d'utiliser le réfrigérateur.

Prendre conscience des risques pour la sécurité signalés par le symbole de mise en garde sur le réfrigérateur et dans ce manuel. Le symbole de mise en garde est suivi d'un terme précisant la nature du risque en question. Lire soigneusement la description de ces termes de signalement pour apprendre à les différencier. C'est une question de sécurité personnelle.



AVERTISSEMENT Ce terme de signalement indique un danger qui, s'il n'est pas pris en compte, peut causer une blessure grave, la mort ou d'importants dégâts matériels.



ATTENTION Ce terme de signalement indique un danger qui, s'il n'est pas pris en compte, peut causer une blessure légère ou d'importants dégâts matériels.

Consignes relatives à la sécurité

AVERTISSEMENT

- Le rangement de produits inflammables derrière le réfrigérateur ou autour de celui-ci pose un danger d'incendie. Ne pas utiliser l'espace derrière le réfrigérateur pour ranger quoi que ce soit, en particulier les matériaux inflammables (essence, produits de nettoyage, etc.)
- Ne pas entreposer de substance explosive, par exemple une bombe aérosol avec propulseur inflammable, dans ce réfrigérateur.
- (Modèles DE0041 / DE0061 / EV0041 et EV0061 uniquement) Ne retirez pas la broche de mise à la terre ronde du cordon d'alimentation du réfrigérateur. N'utilisez pas un adaptateur à deux broches ou une rallonge sur le cordon d'alimentation secteur.
- Si les fils et (ou) fusibles ne sont pas de la taille correcte, l'installation électrique peut prendre feu sous l'effet de la surcharge du circuit. Utiliser uniquement les fils et fusibles de la taille indiquée dans le « Manuel d'installation ».
- Une faute d'installation, de réglage, de modification ou d'entretien de ce réfrigérateur peut causer des préjudices corporels et (ou) matériels. En confier la réparation et l'entretien au concessionnaire ou à un centre de service après-vente agréé Norcold.
- Les réfrigérateurs DE et EV ont plus d'une alimentation électrique (Modèles DE0041 / DE0061 / EV0041 et EV0061 seulement) Débranchez les sources d'alimentation CA et CC avant de procéder à des travaux de maintenance sur le réfrigérateur. Tous les travaux de maintenance sur ce réfrigérateur doivent être effectués par un technicien qualifié.
- Pour les modèles DC0061, débranchez la source d'alimentation CC avant d'effectuer tout travail de maintenance sur le réfrigérateur. Tous les travaux de maintenance sur ce réfrigérateur doivent être effectués par un technicien qualifié.
- Ne pas contourner ou modifier les composants ou fonctions électriques du réfrigérateur.
- Lors de la mise au rebut d'un appareil électroménager, enlever toutes les portes pour éviter que quelqu'un ne s'enferme dedans et ne suffoque.
- Ne pas vaporiser de liquides près des prises électriques, des raccords ou des pièces du réfrigérateur. Nombre de liquides sont conducteurs et peuvent poser des risques de décharge électrique, de court-circuit, voire même d'incendie.

ATTENTION

- L'arrière du réfrigérateur présente des arêtes et des angles coupants. Pour éviter de se couper ou de s'écorcher lors du travail sur le réfrigérateur, faire attention et porter des gants résistant aux coupures.
- Cet appareil n'est pas destiné à être utilisé par des personnes (y compris les enfants) avec aptitudes physiques, sensorielles ou mentales réduites, ou expériences ou connaissances insuffisantes, sauf en cas de supervision ou instruction relative à l'utilisation de l'appareil par une personne responsable de leur sécurité. Les enfants doivent être surveillés pour garantir qu'ils ne jouent pas avec l'appareil.

Le réfrigérateur

Emploi :

Ce réfrigérateur est conçu pour l'utilisation dans un véhicule de loisir. En tant que tel, il convient au camping, mais ne pas exposer le réfrigérateur à la pluie.

Volume d'entreposage :

Ce réfrigérateur est conçu pour l'entreposage d'aliments frais et congelés, ainsi que la fabrication de glaçons.

Capacité totale du modèle DE / EV0041 3.6 ft³ (101,9 l)

Capacité totale du modèle DC/ DE / EV0061 7.0 ft³ (198,2 l)

Compartiment pour les aliments :

Mettre le réfrigérateur en marche et le laisser refroidir pendant huit heures avant d'y placer des aliments. Si le réfrigérateur ne commence pas à baisser de température au bout de deux heures, s'enquérir auprès du concessionnaire ou du centre de service après-vente agréé Norcold.

Pour optimiser le refroidissement :

- Laisser l'air s'écouler librement dans tout le compartiment pour aliments.
- Ne pas recouvrir les clayettes de plastique, papier, etc.

Pour minimiser la formation de gel sur les panneaux du congélateur :

- Couvrir tous les liquides et aliments humides.
- Laisser tous les aliments chauds se refroidir avant de les placer dans le réfrigérateur.
- Ne pas laisser la porte ouverte plus que nécessaire.

Compartiment congélateur :

Le compartiment congélateur est fait pour le maintien à l'état congelé des aliments pré-congelés mais pas pour la surgélation d'aliments. Garder les aliments pré-congelés dans le compartiment congélateur.

AVIS *Pour faire des glaçons, mettre le bac à glace à même la surface du congélateur. Ne pas mettre d'autres articles sur le bac à glace pendant la formation des glaçons. L'eau gèle plus rapidement si l'interrupteur d'alimentation/le thermostat est à la position de température la plus froide.*

Loquet de porte pour le voyage :

Pendant le voyage, le loquet empêche l'ouverture de la porte. Il n'y a pas de chaînes, glissières ou autres dispositifs à engager.

Éclairage intérieur :

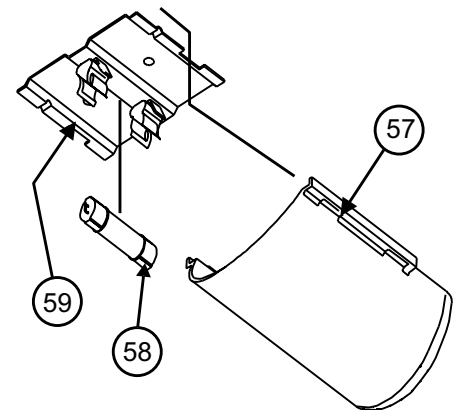
L'éclairage intérieur du DE / EV0041 est situé sur la paroi gauche du compartiment de denrées fraîches. L'éclairage intérieur du DC/ DE / EV0061 est situé derrière la cloison qui sépare le compartiment congélateur du compartiment de denrées fraîches.

L'éclairage intérieur s'allume lorsque le réfrigérateur est ALLUMÉ et que la porte est ouverte. Pour remplacer l'ampoule :

1. Utiliser du ruban adhésif pour maintenir l'interrupteur d'éclairage en position abaissé, ce qui met le circuit d'éclairage hors tension.
2. Retirer le couvercle [57] en le tirant vers l'avant du réfrigérateur (voir Art00988).
3. Retirer l'ampoule [58] du support [59].

AVIS *Utiliser uniquement une ampoule GE n° 214-2 comme ampoule de rechange. Cette ampoule est disponible dans la plupart des centres d'accessoires pour automobiles.*

4. Installer l'ampoule de rechange.
5. Poser le couvercle.
6. Retirer le ruban adhésif de l'interrupteur d'éclairage.



Art00988

Bac(s) à légumes :

Le(s) bac(s) à légumes est (sont) situé(s) à la partie inférieure du compartiment de conservation des denrées fraîches et permettent de conserver la fraîcheur des fruits et légumes. S'assurer de bien pousser les bacs à fond.

AVIS *Ne pas nettoyer les bacs au lave-vaisselle, ils ne résistent pas au lave-vaisselle.*

Casiers de porte :

Les casiers de porte [52] du compartiment de conservation des denrées fraîches et du compartiment basse température peuvent être déplacés pour satisfaire les besoins de chaque utilisateur (se reporter à Art00989). Pour enlever un casier, le soulever au-dessus du repère de positionnement et le tirer vers l'avant. Le pousser en place dans les nouveaux repères de positionnement.

AVIS Ne pas nettoyer les casiers ni les glissières de casier au lave-vaisselle, ils ne résistent pas au lave-vaisselle.

Clayettes réglables :

Les clayettes du compartiment de conservation des denrées fraîches et du compartiment basse température sont amovibles et réglables en position.

Pour déposer ou déplacer la clayette du compartiment de conservation des denrées fraîches.

- Enlever la vis de la pièce de retenue de chaque clayette à l'arrière du réfrigérateur.
- Sortir la clayette des encoches.
- La pousser en place dans les encoches à la position choisie.
- Fixer la pièce de retenue avec la vis.

Utilisation

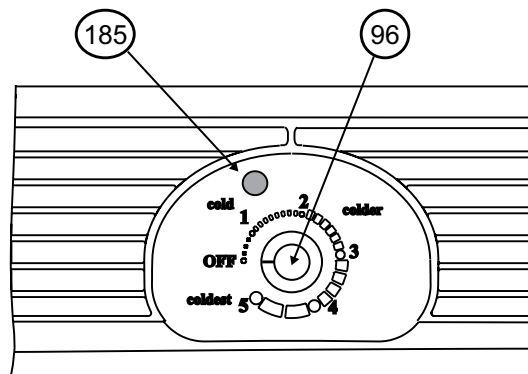
Commandes :

L'interrupteur d'alimentation / thermostat [96] commande le fonctionnement du réfrigérateur (voir Art02280). Lorsque l'interrupteur d'alimentation / thermostat est en position « OFF » (arrêt), le système frigorifique n'est pas sous tension et le réfrigérateur n'utilise aucune tension c.a. ou c.c.

Le voyant d'alimentation vert [185] s'allume lorsque l'interrupteur d'alimentation / thermostat est dans une autre position que la position « OFF » (arrêt) et le système frigorifique est mis sous tension.

L'interrupteur d'alimentation / thermostat commande également la température du réfrigérateur. Le chiffre 5 correspond à la température la plus froide. Lors de la mise en service du réfrigérateur, tourner le thermostat en position 5. Laisser le réfrigérateur refroidir pendant huit heures, puis mettre le thermostat au réglage de température voulu.

Les réfrigérateurs DE / EV fonctionnent soit en courant alternatif, soit en tension continue, soit en tension continue seulement. Si les sources d'alimentation CA et CC sont connectées au réfrigérateur, elles fonctionnent avec une tension alternative. Si l'alimentation secteur devient indisponible, par exemple lorsque vous déconnectez l'alimentation du littoral, le réfrigérateur fonctionne avec une alimentation CC.



Art02280



Ne pas faire fonctionner le réfrigérateur si la température ambiante est de plus de 110 °F (43 °C). L'utilisation lorsque la température ambiante est supérieure à 110 °F (43 °C) peut réduire les performances frigorifiques et endommager le compresseur de façon irréversible.

Directives pour le fonctionnement en courant continu :



Ne pas utiliser un réfrigérateur alimenté uniquement par une batterie, car il déchargerait la batterie très rapidement. Brancher correctement le réfrigérateur sur une alimentation c.c.

Le réfrigérateur est alimenté en courant continu par le système de batterie du véhicule. Ce système alimente également les autres appareils et accessoires c.c. du véhicule.

Un système de batterie double permet d'optimiser l'utilisation de l'énergie. Ce système utilise deux batteries. L'une des batteries fournit une alimentation c.c. uniquement au moteur du véhicule et à ses accessoires. La seconde alimente uniquement les appareils c.c. du véhicule. Un alternateur alimenté par le moteur du véhicule charge les deux batteries.

Liste de contrôle de l'état du réfrigérateur

Il suffit d'effectuer les simples vérifications suivantes tous les trois à six mois pour obtenir de longues années de bons et loyaux services de la part du réfrigérateur :

- Veiller à la propreté du compartiment pour les aliments et du congélateur. Voir « Nettoyage ».
- Dégivrer le réfrigérateur aussi souvent que nécessaire. Voir « Dégivrage ».
- S'assurer de l'étanchéité de la fermeture de la porte. Voir « Fermeture étanche de la porte ».
- Veiller aux variations de refroidissement qui ne sont pas dues à un changement de température ambiante, de contenu ou de thermostat. Si de telles variations se produisent, s'enquérir auprès du concessionnaire ou d'un centre de service après-vente agréé Norcold.
- S'assurer de l'absence d'obstruction ou de restriction de l'écoulement d'air dans la prise d'air inférieure, à travers le condenseur du réfrigérateur et les serpentins, et par la bouche d'échappement supérieure.
- S'assurer du dégagement de l'espace derrière le réfrigérateur. Ne pas utiliser l'espace derrière le réfrigérateur pour ranger quoi que ce soit, en particulier des matériaux combustibles tels que de l'essence et d'autres matériaux à vapeurs ou liquides inflammables.

Dégivrage :

Les panneaux du congélateur du réfrigérateur fonctionnent à des températures de gel et il est normal qu'au contact de l'humidité de l'air elles se couvrent de givre. L'humidité à l'intérieur du réfrigérateur augmente :

- proportionnellement à la température et à l'humidité extérieures.
- lorsque des aliments frais non recouverts ou des aliments encore chauds sont placés dedans.
- d'autant plus que la ou les portes sont laissées longtemps ouvertes.
- si le réfrigérateur présente des fuites d'air.

Il est normal que du givre s'accumule à l'intérieur du réfrigérateur. Un réfrigérateur trop givré risque de ne pas donner d'aussi bons résultats. Dégivrer le réfrigérateur aussi souvent que nécessaire :

- Sortir tous les aliments du réfrigérateur.
- Éteindre le réfrigérateur.



Le dégivrage rend beaucoup d'eau dans le réfrigérateur, ce qui tombe sur le plateau de dégivrage et s'écoule vers l'extérieur du réfrigérateur par le tube de vidange.

- Placer des serviettes sèches (etc.) à l'intérieur du réfrigérateur pour absorber l'excédent d'eau.



Des températures élevées peuvent entraîner la distorsion ou la fonte des surfaces intérieures du réfrigérateur. Ne pas utiliser de récipients d'eau TRÈS CHAUDE, de sèche-cheveux ou d'autres dispositifs à haute température pour dégivrer le réfrigérateur. Ne pas employer d'objets durs ou tranchants pour enlever le givre. L'intérieur du réfrigérateur risquerait d'être endommagé.

- Pour obtenir un dégivrage plus rapide, placer des récipients d'eau CHAUDE dans le réfrigérateur.
- Enlever les serviettes humides (etc.) et sécher l'intérieur.
- Remettre le réfrigérateur en route.
- Laisser le réfrigérateur se refroidir.
- Remettre tous les aliments dans le réfrigérateur.

Nettoyage :

Il est conseillé de nettoyer le réfrigérateur juste après l'avoir dégivré.

Nettoyer l'intérieur du réfrigérateur aussi souvent que nécessaire pour éviter les odeurs :

- Sortir tous les aliments du réfrigérateur.



Ne pas se servir de produits de nettoyage abrasifs, de produits chimiques ou de tampons à récurer car ils risquent d'endommager l'intérieur du réfrigérateur.

- Laver l'intérieur avec un produit de nettoyage doux ou un mélange de détergent liquide pour vaisselle et d'eau chaude.
- Rincer avec un mélange de bicarbonate de soude et d'eau propre.
- Sécher avec un chiffon sec.
- Remettre tous les aliments dans le réfrigérateur.

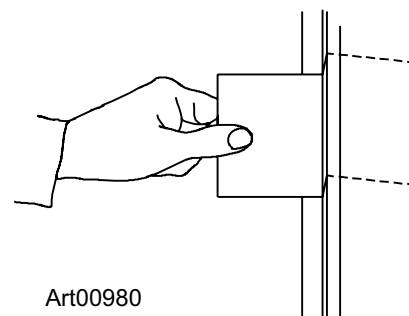
Pour retirer le plateau de dégivrage et pour le nettoyer, procéder comme suit :

- S'assurer que le plateau de dégivrage ne contient plus d'eau.
- Retirer le bouchon du tuyau de vidange de l'intérieur du plateau de dégivrage, puis l'enlever du tuyau.
- Tirer le plateau de dégivrage vers le bas pour le sortir des fentes de la caisse du réfrigérateur.
- Nettoyer le plateau de dégivrage.
- Placer le bouchon du tuyau de vidange dans le plateau de dégivrage, et remettre ce dernier en place en le poussant dans sa position d'origine.
- Pousser le tuyau de vidange en place dans son bouchon.

Fermeture étanche de la porte :

Si la porte n'est pas absolument étanche, un excès de givre se formera à l'intérieur du réfrigérateur. S'assurer de l'étanchéité de la fermeture de la porte :

- Fermer la porte sur un morceau de papier à peu près la taille d'un billet d'un dollar U.S. (voir Art00980).
- Tirer doucement sur le papier.
 - Une légère résistance doit se faire sentir entre le joint et la caisse.
 - Répéter cette opération sur les quatre côtés de la porte.
 - L'absence d'une légère résistance exercée sur le papier indique une mauvaise étanchéité de la porte.
 - Faire vérifier l'étanchéité de la porte par un concessionnaire ou un centre de service après-vente agréé Norcold.



Dépannage

Si le réfrigérateur ne refroidit pas correctement en mode c.a. ou c.c. :

- S'assurer que l'interrupteur d'alimentation/le thermostat n'est pas en position « OFF » (arrêt).
- S'assurer que l'interrupteur d'alimentation/le thermostat est sur la température désirée.
- S'assurer que la (les) source(s) d'alimentation du réfrigérateur est (sont) en ordre de fonctionnement.
- Vérifier que le fusible ou le disjoncteur est intact (voir « Protection contre les surintensités »).
- S'assurer que le réfrigérateur est correctement installé et que les bouches de ventilation incorporées ne sont pas obstruées.
- S'assurer que le problème ne vient pas d'une température ambiante anormalement élevée (plus de 110 °F / 43 °C) (voir « Arrêt en cas de surchauffe »).
- Vérifier que la porte est fermée.
- S'il fait très chaud dehors, vérifier l'étanchéité de la fermeture de la porte.
- S'assurer que la circulation de l'air à l'intérieur du réfrigérateur n'est pas réduite par la présence de certains aliments ou de clayettes recouvertes de plastique, papier, etc.

- Veiller à ce que des aliments chauds n'aient pas été placés dans le compartiment de denrées fraîches du réfrigérateur.
- Vérifier que le congélateur a été dégivré.

Si le réfrigérateur ne fonctionne toujours pas bien une fois ces contrôles effectués, s'enquérir auprès du concessionnaire ou d'un centre de service après-vente agréé Norcold.

Arrêt en cas de surchauffe :

Si le réfrigérateur est utilisé dans des températures ambiantes élevées, il y a risque de surchauffe du frigorigère et de panne prématurée du compresseur (voir l'étiquette située à l'intérieur du réfrigérateur).

Pour protéger le frigorigère contre la surchauffe, le réfrigérateur s'éteint automatiquement lorsque la température du module d'alimentation monte à plus de 212 °F (100 °C). Le réfrigérateur ne se remettra pas en marche tant que la température du module d'alimentation ne sera pas redescendue à moins de 176 °F (80 °C).

Protection contre les tensions insuffisantes :

Pour éviter de décharger complètement la batterie, le réfrigérateur s'arrête automatiquement quand la tension d'alimentation c.c. devient trop faible. Le réfrigérateur ne se remettra en marche que lorsque la tension d'alimentation c.c. augmente. Les seuils de tension d'arrêt et de remise en marche sont les suivants :

Fonctionnement 12 V c.c.

Fonctionnement 24 V c.c.

Arrêt 10,9 V c.c.

Arrêt 23,8 V c.c.

Remise en marche 12,2 V c.c.

Remise en marche 25,2 V c.c.

Le réfrigérateur ne fonctionne pas si la tension d'alimentation c.c. se situe entre 17,0 et 23,8 V c.c.

Protection contre les surintensités :

Le circuit électronique du réfrigérateur est muni d'un dispositif de protection contre les surintensités qui empêche l'onduleur de subir les effets néfastes d'une éventuelle inversion de polarité à la connexion.

Si le réfrigérateur ne fonctionne pas et que le voyant d'alimentation vert ne s'allume pas, vérifier le fusible situé en série avec le connecteur c.c. ainsi que la polarité de l'alimentation en c.c. Si le problème persiste, il provient peut-être de l'onduleur. Faire réviser le réfrigérateur par un centre de service après-vente agréé Norcold.

Liste de contrôle de l'entretien du réfrigérateur

Lire les sections suivantes de ce manuel relatives à l'entretien et en assimiler le contenu.



Norcold décline toute responsabilité en cas d'installation, de réglage, de modification, de réparation ou d'entretien effectué(e) par quiconque autre qu'un centre de service après-vente agréé Norcold.

Demander à un centre de service après-vente agréé Norcold d'effectuer les contrôles annuels de sécurité et d'entretien suivants :

- S'assurer que les tensions c.a. et c.c. sont correctes (voir la section « Courant électrique nécessaire »).
- Les connexions de fil doivent être propres, bien assurées et exemptes de corrosion. Si l'un de ces aspects laisse à désirer :
 - Le réfrigérateur subira une chute de tension.
 - La chute de tension réduit les performances du réfrigérateur.



Débrancher le fil d'alimentation c.c. positif (+) de la batterie avant d'effectuer une « charge rapide » de celle-ci, sous peine de causer des dégâts au réfrigérateur ou tout autre appareil 12 V c.c.

- S'assurer que l'espace derrière le réfrigérateur n'est nullement encombré, en particulier par des matériaux combustibles, de l'essence et d'autres matériaux à vapeurs ou liquides inflammables.

Pièces de rechange

Les pièces de rechange peuvent être obtenues auprès du concessionnaire ou d'un centre de service après-vente agréé Norcold.

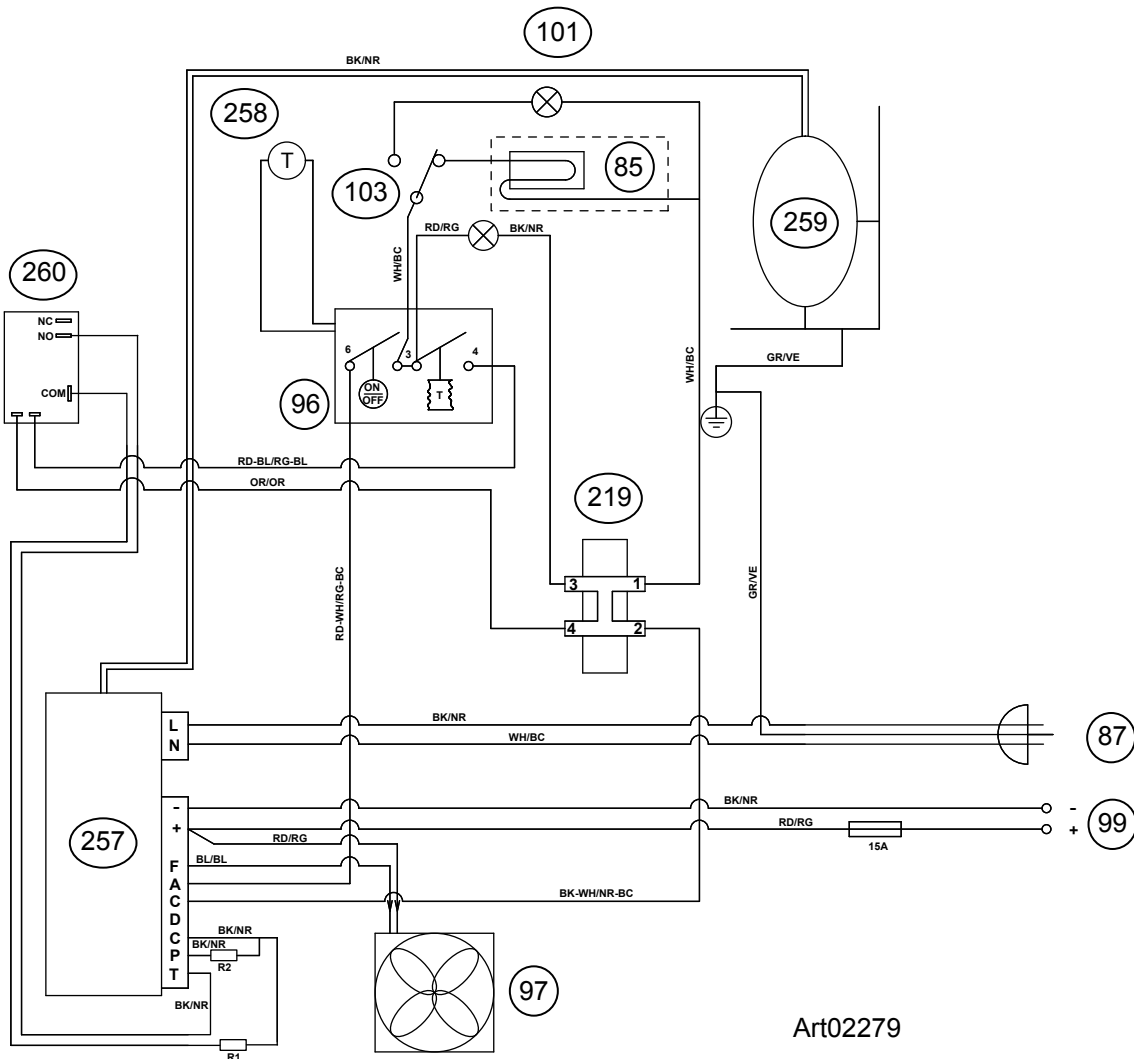


Si le cordon d'alimentation est endommagé, il faut le faire remplacer par le fabricant, son agent de service après-vente ou d'autres personnes qualifiées afin d'éviter tout risque.

Wiring Pictorial- DE/EV0061 Models only

Le schéma de câblage présente les composants suivants (voir Art02279) :

257	Bloc d'alimentation
99	Entrée c.c.
87	Entrée secteur
96	Interrupteur d'alimentation/thermostat
258	Capteur de l'évaporateur
259	Compresseur
97	Ventilateur 24 V c.c.
101	Éclairage intérieur
103	Contacteurs de porte
85	Dispositif de chauffage cloison séparation (modèles DE / EV0061)
260	Relais
219	Plaque à bornes



Art02279

Wiring Pictorial- DC Models only

Le schéma de câblage présente les composants suivants (voir Art02661 :

- 257..... Bloc d'alimentation
- 99..... Entrée c.c.
- 96..... Interrupteur d'alimentation/thermostat
- 258..... Capteur de l'évaporateur
- 259..... Compresseur
- 97..... Ventilateur 24 V c.c.
- 101..... Éclairage intérieur
- 103..... Contacteurs de porte
- 85..... Dispositif de chauffage cloison séparation (modèles DC0061)
- 260..... Relais
- 219..... Plaque à bornes

