

NORCOLD[®]



Owner's Manual

For models N305X, N306X - a 2.7 cu. ft., 2-way or 3-way, refrigerator.

The models numbers of 3-way refrigerators contain “.3”. The model numbers of 2-way refrigerators do not.

The letter “X” in the model number above, stands for a letter or a numeral which means a refrigerator option.



FIRE OR EXPLOSION HAZARD

If you smell gas:

1. Open Windows
2. Do not attempt to light appliances and make sure the appliance is in the off position.
3. Extinguish any open flame
4. Do not touch electrical switches.
5. Do not use electronic devices such as cell phones or landline phone.
6. Evacuate the building or recreational vehicle
7. Shut off fuel supply at LP tank.
8. Call emergency services.

Failure to follow these instructions could result in fire or explosion, which could cause property damage, personal injury, or death.



Improper installation, adjustment, alteration, service or maintenance can cause injury or property damage. Refer to this manual. For assistance or additional information, contact a qualified installer, service agency, or the gas supplier.

FOR YOUR SAFETY

Do not store or use gasoline or other flammable vapors and liquid in the vicinity of this or any other appliance.



CARBON MONOXIDE POISONING MAY CAUSE DEATH OR INJURY.

When used without adequate combustion and ventilation air, the refrigerator may give off excess CARBON MONOXIDE, and odorless poisonous gas. This is an unvented gas-fired appliance. The refrigerator uses air (oxygen) from the area in which the refrigerator is used. Adequate combustion and ventilation air must be provided.

Table of Contents

For defined warranty terms, please see the one page warranty statement included in the product information packet.

Safety Awareness	2
Safety Instructions	3
About Your Refrigerator	3
Storage volume	3
Leveling	3
Operation during travel	4
Food compartment	4
Freezer compartment	4
Door latch for travel and storage	4
Operating Refrigerator Control	4
Control Panel	4
Ignition - propane gas operation	5
Do a test of the gas safety valve	5
Start up - AC operation	6
Start up - DC operation (3-way models only)	6
Shut down	6
DC operation precautions	6
DC operation guidelines	6
Effects of High Altitude on Propane Gas Operation	6
Effects of Freezing Temperatures on Refrigerator Operation	7
Refrigerator Care Checklist	7
Defrosting	7
Cleaning	8
Drip tray	8
Door Sealing	8
Refrigerator Maintenance Checklist	9
Refrigerator Storage	9
Refrigerator Maintenance	10
Gas flame appearance	10
Remove and clean the burner orifice	10
Remove the Refrigerator	11
Reinstall the Refrigerator	12
Replacement Parts	12
Wiring Pictorial	13
Wiring Diagram	14

Safety Awareness

Read this manual carefully and understand the contents before you use the refrigerator.

Be aware of possible safety hazards when you see the safety alert symbol on the refrigerator and in this manual. A signal word follows the safety alert symbol and identifies the danger of the hazard. Carefully read the descriptions of these signal words to fully know their meanings. They are for your safety.



This signal word means a hazard, which if ignored, can cause dangerous personal injury, death, or much property damage.



This signal word means a hazard, which if ignored, can cause small personal injury or much property damage.

Safety Instructions



- The storage of flammable materials behind or around the refrigerator creates a fire hazard. Do not use the area behind the refrigerator to store anything, especially flammable materials (gasoline, cleaning supplies, etc.)
- Do not remove the round ground prong from the refrigerator AC power cord. Do not use a two prong adapter or extension cord on the AC power cord.
- A circuit overload can result in an electrical fire if the wires and/or fuses are not the correct size. Either use the wire and fuse sizes as written in the "Installation Manual" or refer to your local codes or the applicable RVIA Standards for the correct wire and fuse sizes.
- Incorrect installation, adjustment, change to, or maintenance of this refrigerator can cause personal injury, property damage, or both. Have service and maintenance work done by your dealer or by an Norcold authorized service center.
- Disconnect both the AC and DC power sources before doing any maintenance work on the refrigerator. All service work on this refrigerator must be done by a qualified service technician.
- Do not bypass or change the refrigerator's electrical components or features.
- When you discard an appliance, remove all doors to prevent accidental entrapment and suffocation.
- Do not spray liquids near electrical outlets, connections, or the refrigerator components. Many liquids are electrically conductive and can cause a shock hazard, electrical shorts, and in some cases fire.
- The refrigerator cooling system is under pressure. Do not try to repair or to recharge a defective cooling system. The cooling system contains sodium chromate. The breathing of certain chromium compounds can cause cancer. The cooling system contents can cause severe skin and eye burns, and can ignite and burn with an intense flame. Do not bend, drop, weld, move, drill, puncture, or hit the cooling system.
- At regular intervals, make sure that the refrigerator flue the burner, the vent areas, and the ventilation air pathway between the vents are completely free from any flammable material or blockage. After a period of storage, it is especially important to check these areas for any flammable material or blockage caused by animals.



- The rear of the refrigerator has sharp edges and corners. To prevent cuts or abrasions when working on the refrigerator, be careful and wear cut resistant gloves.

About Your Refrigerator

Storage Volume:

This refrigerator is made to store fresh and frozen foods and for making ice.

Total capacity 2.7 cubic feet
Freezer capacity4 cubic feet
Food compartment capacity..... 2.3 cubic feet

Leveling:



The refrigerator is made to operate within 3° off level side-to-side and 6° off level front-to-back (as looking at the front of the refrigerator). Operating it at more than these limits can cause damage to the cooling system and create a risk of personal injury or property damage. Make sure the vehicle is level before you operate the refrigerator.

Operation during travel:

While the refrigerator should be level when the vehicle is stopped, performance during travel is not usually effected.

Food compartment:

Ignite or start up the refrigerator and let it cool for eight hours before loading with food. If the refrigerator does not start to cool down after about two hours, contact your dealer or a Norcold authorized service center.

For the best cooling performance:

- Let air move freely inside the entire food compartment.
- Do not cover the shelves with plastic, paper, etc.

To decrease the amount of ice that collects on the cooling fins:

- Cover all liquids and moist foods.
- Let all hot foods cool before putting them in the refrigerator.
- Do not open the door any longer than necessary.

Freezer compartment:

The freezer compartment is made to keep pre-frozen food frozen and not to quick freeze food. Keep pre-frozen foods in the freezer compartment.

NOTICE

Do not put other items on the ice tray while the water is freezing. The water freezes more rapidly if the thermostat is at the coldest temperature setting.

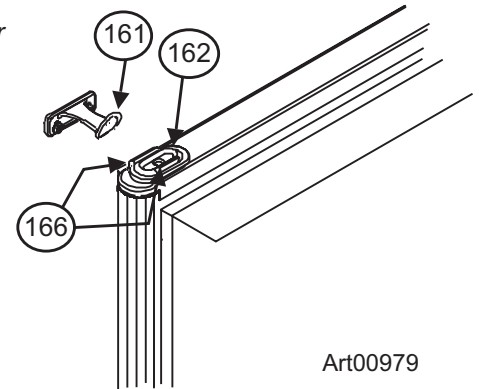
Door latch for travel and storage:

During travel, the door latch prevents the door from opening. There are no chains, slides, or any devices that you must engage.

During storage, the door latch prevents the door from completely closing. Use it to prevent odors when the refrigerator is shut down for a long period of time.

To use the door latch for storage (See Art00979):

- Open the door just so the door latch [161] is between the ribs [166] of the latch plate [162].







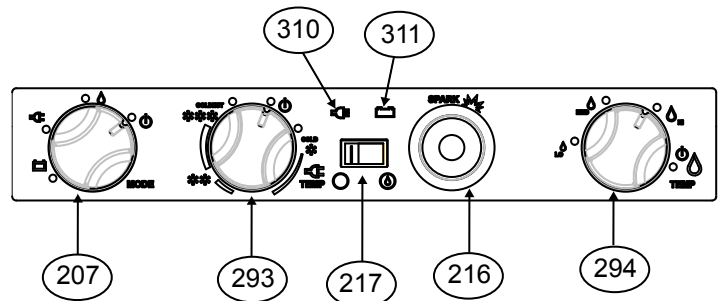
Operating the Refrigerator Controls

Control panel: (See Art02473)

Selector switch.....	207
AC thermostat.....	293
Flame meter.....	217
Piezo lighter.....	216
Gas control.....	294
AC power indicator.....	310
DC power indicator (3-way model only).....	311

The selector switch [207] changes the energy source of the refrigerator:

- LP gas (), AC electric (), DC electric (), and OFF ().



ART 02473

The AC thermostat [293] controls the temperature setting when operating in AC electric mode:

The AC power indicator [310] shows that the refrigerator is operating in AC mode.

The DC power indicator [311] shows that the refrigerator is operating in DC mode. (3-way models only)

The piezo igniter [216] makes a spark which ignites the flame in the burner.

The flame meter [217] shows if a flame is present in the burner.

The gas control [294] sets the temperature setting of the refrigerator when operating in the GAS mode. To change the temperature setting, push and turn the gas control to either the HI, MED, or the LO position. HI is the coldest temperature setting.

NOTICE


This is not an automatic gas control. It does not change the flame from high fire to low fire as with other RV refrigerators. If the cooling load changes, you must manually change the gas control to maintain the same temperature inside the refrigerator.

The gas control has a gas safety valve built into it. As long as a flame is present, the safety valve is open and allows the LP gas to flow to the burner. Any loss of the flame (empty gas tank, blow out, etc.) closes the safety valve and stops the flow of LP gas.

When the outside air temperature is below 50°F, the refrigerator may have a tendency to freeze food at the colder temperature settings. To reduce the tendency to freeze food:

- Turn the gas control to LO position.
- Keep the refrigerator full.
- Put foods that are more likely to freeze on the lower shelf.

Ignition - LP gas operation:

1. Open the valve at the LP gas storage tank.
2. Turn the selector switch [207] to the LP gas position ().
3. Turn the gas control [294] to the HI position
4. Push and hold in the gas control [294]
5. Push in the piezo lighter [216] several times in rapid successions, for about five seconds:




Do not hold in the gas control for more than 30 seconds. If there is no flame in this time, wait at least five minutes before you try ignition again. If you continue to hold in the gas control, LP gas will collect in the burner area. This could cause a fire or explosion and result in dangerous personal injury or death.

- When a flame is present and the flame meter [217] moves into the green area, wait about five seconds and release the gas control.
 - If the flame meter does not move into the green area, do this step again.
6. Turn the gas control [294] to the desired temperature setting.

Do a test of the LP gas safety valve:

With an established flame while operating on LP gas:

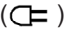
1. Push and turn the gas control to the off position. ()
2. After the flame is extinguished, you should hear a sharp “click” sound within 90 seconds.

NOTICE


The LP gas safety valve should close with a sharp “click” sound.

3. Push and turn the gas control to the HI position.
4. Without pushing in the gas control, push the igniter several times rapidly in succession. The burner flame should not ignite. This means that the LP gas safety valve is working correctly.


Start up - AC operation:

- Make sure that 120 volts AC is available.
- Turn the selector switch to the AC position ().
- Turn the AC thermostat [293] to the desired temperature setting.


NOTICE

Make sure that the AC thermostat [293] is not set to the off position. ()

Start up - DC operation (3-way models only):

- Make sure that 12 volts DC is available.
- Turn the selector switch to the DC position ().

Shut down:

- Turn the selector switch to the OFF position ().

DC operation precautions:

This refrigerator is made to operate on DC power while your vehicle is “in transit” and AC power or LP gas sources are not available. Operate the refrigerator on DC power only when the vehicle engine is running.

For the refrigerator to operate correctly on DC power, the battery must be maintained in a fully charged condition.

For the battery to be fully charged at all times during refrigerator operation on DC, the vehicle engine must be running and the battery charging system must be in good operating condition.

Keep in mind the following electrical precautions for DC operation of the refrigerator:

- Good battery condition is necessary for correct DC operation.
- The capacity of the battery charging system must be more than what is necessary for the refrigerator and other DC appliances.
- While the vehicle engine is running, make sure the voltage of the DC power supply leads at the refrigerator is more than 11.5 VDC.

DC operation guidelines:

DC operation is intended only to maintain the temperature of the refrigerator and its contents when they are already cool.

The DC operation is not intended for the initial start up and cooling of the refrigerator. Always use either the AC operation or LP gas operation to initially start up and cool the refrigerator. The refrigerator must be cooled and the temperature must be steady before you operate the refrigerator on DC.

Keep in mind the following guidelines for DC operation of the refrigerator:

- Use DC operation of the refrigerator while the vehicle is in transit.
- Do not use DC operation until the refrigerator and its contents are completely cooled.
- Only use DC operation if the vehicle battery and battery charging system are in good operating condition.

Effects of High Altitude on Propane Gas Operation

When you operate the refrigerator on propane gas at altitudes higher than 5500 feet above sea level:

- You may experience reduced cooling performance of the refrigerator.
- You may experience burner outages.

To avoid these possible problems, Norcold recommends that you operate the refrigerator on AC when at altitudes higher than 5500 feet above sea level.

Effects of Freezing Temperatures on Refrigerator Operation

A gas absorption refrigerator is not designed to operate in freezing temperatures. If the refrigerator is not equipped for low temperature operation, and if the cooling system of the refrigerator is exposed to temperatures of 32° F. or lower for an extended period of time, the refrigerator operation may be disrupted. The refrigerator operation will resume when the cooling system of the refrigerator warms sufficiently.

If the refrigerator is equipped for low temperature operation, the refrigerator will operate in temperatures down to 0° F.

Disrupted operation of the refrigerator, due to extended exposure to temperatures of 32° F. or lower, and any costs incurred to warm the cooling system of the refrigerator are not covered by the Norcold limited warranty. Please contact your local RV dealer for information about how to resume refrigerator operation or about how to equip your refrigerator for operation in freezing temperatures. Do not change the installation or the venting of your refrigerator. Refrigerator failures, which are the result of changes to either the refrigerator installation or to the venting, are not covered by the Norcold limited warranty.

Refrigerator Care Checklist

Your refrigerator will give you years of trouble free service if you do these simple checks every three to six months:

- Keep the food compartment and the freezer clean. See "Cleaning".
- Defrost the refrigerator as necessary. See "Defrosting".
- Make sure the door seals correctly. See "Door Sealing".
- Be aware of any cooling changes that are not because of weather, loading, or thermostat changes. If changes occur, contact your dealer or service center.
- Make sure the gas supply is propane gas only and is not butane or a butane mixture.

Defrosting

The cooling fins of the refrigerator operate at below freezing temperature and will naturally form frost from humidity, which is always present in the air. The humidity inside the refrigerator increases:

- with higher outside temperature and humidity.
- with the storage of non-sealed fresh foods or warm foods.
- with the amount of time that the door(s) are open.
- with any air leakage into the refrigerator.

It is normal for frost to collect inside the refrigerator. Excess frost decreases the cooling performance of the refrigerator. Defrost the refrigerator as necessary:

- Remove all food from the refrigerator.
- Turn the refrigerator OFF.

NOTICE *Defrosting the refrigerator makes excess water inside the refrigerator.*

- Put dry towels (etc.) inside the refrigerator to absorb melted frost.



High temperatures can cause the inside surfaces of the refrigerator to warp or melt. Do not use pans of HOT water, a hair dryer, or any other high temperature devices to defrost the refrigerator. Do not use any hard or sharp objects to remove frost. Damage to the interior of the refrigerator can occur.

- To increase the speed of defrosting, put pans of WARM water in the refrigerator.
- Remove the wet towels (etc.) and dry the interior.
- Start up the refrigerator.
- Allow the refrigerator to cool down.
- Return all food to the refrigerator.

Cleaning

A good time to clean the refrigerator is just after you defrost it.

Clean the inside of the refrigerator as often as necessary to avoid food odors:

- Remove all food from the refrigerator.



Do not use abrasive cleaners, chemicals, or scouring pads because they can damage the interior of the refrigerator.

- Wash the interior with a solution of liquid dish detergent and warm water.

Drip tray:

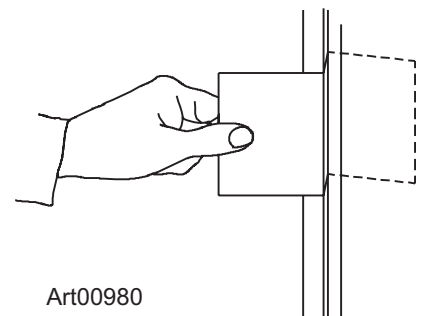
To remove and clean the drip tray:

- Make sure that the drip tray is empty of water.
- Pull the drip tray forward to remove from the slots in the refrigerator cabinet.
- Clean the drip tray.
- Push the drip tray back into the original position.

Door Sealing

If the door does not seal correctly, excess frost will collect inside the refrigerator. Make sure the door seals correctly:

- Close the door on a piece of paper that is about the size of a dollar bill (See Art00980).
- Gently pull the paper.
 - You should feel a slight drag between the gasket and the cabinet.
 - Do this on all four sides of the door.
 - If you do not feel a slight drag on the paper, the door is not sealing correctly:
 - Make sure the screws of the hinges are tight.
 - Make sure the door gasket does not touch the door latch:



Art00980

- If the door gasket touches the door latch, loosen the screws of the door latch.
- Raise the door latch just so it does not touch and tighten the screws of the door latch.
- Make sure the door latch holds the door closed.

Refrigerator Maintenance Checklist

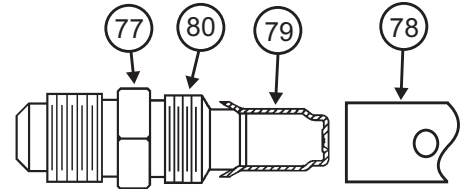
Read and understand the following maintenance sections of this manual.

NOTICE

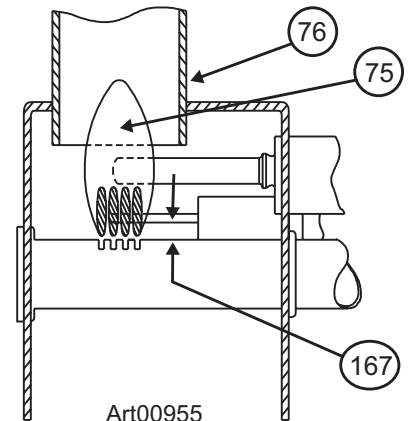
Norcold is not responsible for installation, adjustment, alteration, service, or maintenance performed by anyone other than a qualified RV dealer or a Norcold authorized service center.

Have a qualified RV dealer or a Norcold authorized service center do these annual safety and maintenance checks:

- Examine the gas supply lines for leaks.
 - Replace or repair if necessary.
- Make sure the propane gas pressure is 11 inches of water column.
 - Adjust if necessary.
- Make sure the combustion seal is complete and intact.
 - Replace or repair it if necessary.
- Make sure the burner and the burner orifice are clean (See Art00956).
 - Clean if necessary.
- Make sure the electrode spark gap [167] is 1/8 - 3/16 inch (See Art00955).
 - Adjust if necessary.
- Make sure the AC voltage is 108 - 132 volts and the DC voltage is 10.5 - 15.4 volts.
- Make sure the thermocouple tip is clean and secure.
- Make sure the area at the rear of the refrigerator is free of any combustible materials, gasoline, and other flammable vapors and liquids.



Art 00956



Art00955

Refrigerator Storage

Before the refrigerator is stored for an extended (seasonal) period of time:

- Defrost and clean the interior of the refrigerator.
- Close the doors with the storage latch.

If the refrigerator is stored for an extended period of time, before start up:

- Make sure there are no obstructions in the vents, the ventilation air pathway, the burner, the orifice, or the flue area.

Refrigerator Maintenance

Gas flame appearance:

While operating in propane gas mode, examine the appearance of the gas flame:

- Push and turn the gas control to the "HI" position.
- Open the lower intake vent.

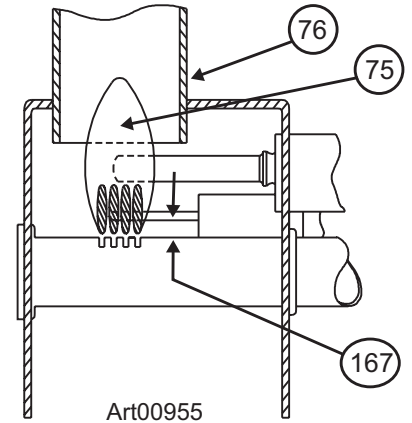


The burner box cover can be hot. Wear gloves to avoid burns.

- Open the burner box door [165] and look at the gas flame [75] (See Art00955 and Art02536).

The flame should be:

- a darker blue color on the inside of the flame and a lighter blue color on the outside of the flame.
- a constant shape without flickering.
- Contact your dealer or Norcold authorized service center if the flame is:
 - yellow
 - flickering or changing shape.
- If the flame is yellow or has an erratic and unstable shape, contact your dealer or Norcold authorized service center.
- Make sure the flame does not touch the inside of the flue tube [76].
- If the flame touches the inside of the flue tube, contact your dealer or Norcold authorized service center.
- Close the burner box door.



Remove and clean the burner orifice:



Your dealer or Norcold authorized service center must do this procedure.

To remove and clean the burner orifice:

- Close the valve at the gas tank(s).
- Push and turn the gas control to the off (⏻) position.
- Turn the selector switch to the OFF position (⏻).
- Open the lower intake vent.



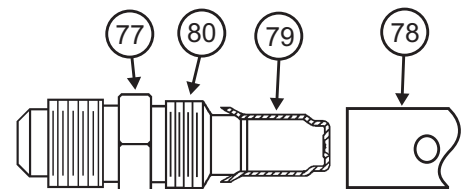
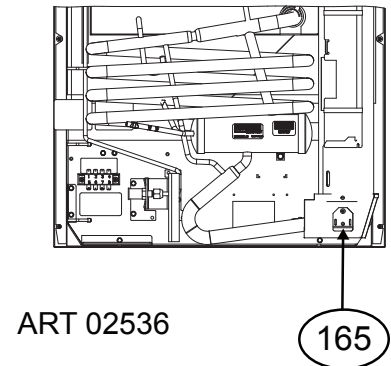
The burner box cover can be hot. Wear gloves to avoid burns.

- Remove the burner box cover by removing one screw.



To avoid possible propane gas leaks, always use two wrenches to loosen and tighten the gas supply line at the refrigerator's manual shut off valve.

- Remove the flare nut from the orifice assembly [77] (See Art00956).



- Remove the orifice assembly from the burner [78].



Do not try to remove the orifice [79] from the orifice adapter [80] when cleaning. Removal will damage the orifice and seal of the orifice and can cause a propane gas leak. Leaking propane gas can ignite or explode which can result in dangerous personal injury or death. Do not clean the orifice with a pin or other objects.

- Clean the orifice assembly with air pressure and alcohol only.
- Using a wrench, assemble the orifice assembly to the the burner.
- Assemble the flare nut to the orifice assembly.
 - Tighten the flare nut by hand.
 - Hold the orifice assembly securely and, using a wrench, tighten the flare nut 1/4 revolution only.
- Examine all of the connections for gas leaks.

Remove the Refrigerator

NOTICE

Your dealer or Norcold authorized service center must do this procedure.



The rear of the refrigerator has sharp edges and corners. To prevent cuts or abrasions when working on the refrigerator, be careful and wear cut resistant gloves.

1. Close the valve at the gas tank(s).



To avoid possible propane gas leaks, always use two wrenches to loosen and tighten the gas supply line at the refrigerator's manual shut off valve.

2. Open the lower intake vent and remove the gas supply line from the 3/8 inch male flare fitting of the refrigerator.
3. Remove the AC power cord from the receptacle.
4. Remove the DC wiring from the refrigerator:
 - Remove the DC wiring from the battery or the converter of the vehicle.
 - Put a mark on the DC wires so you can put them back in the correct location.
 - Remove the DC wires from the refrigerator.
5. Remove the screws which fasten the refrigerator to the floor.
6. Remove the plastic plugs from the mounting flanges of the refrigerator.
7. Remove the door from the refrigerator.
8. Remove the screws which fasten the refrigerator to the wall.
9. Remove the refrigerator from the opening.
10. Attach the door to the refrigerator.

Reinstall the Refrigerator

NOTICE

Your dealer or Norcold authorized service center must do this procedure.



Make sure the combustion seal is not broken, is completely around the refrigerator mounting flanges, and is between the mounting flanges and the wall of the enclosure. If the combustion seal is not complete, exhaust fumes can be present in the living area of the vehicle. The breathing of exhaust fumes can cause dizziness, nausea, and in extreme cases, death.

1. Push the refrigerator completely into the enclosure.
2. Remove the door from the refrigerator.
3. Put the screws through the mounting flanges and into the wall.
4. Put the plastic plugs into the mounting flanges of the refrigerator.
5. Attach the door to the refrigerator



The rear of the refrigerator has sharp edges and corners. To prevent cuts or abrasions when working on the refrigerator, be careful and wear cut resistant gloves.

6. Open the lower intake vent and put the screws through refrigerator and into the floor.



To avoid possible propane gas leaks, always use two wrenches to loosen and tighten the gas supply line at the refrigerator's manual shut off valve.

7. Attach the gas supply line to the 3/8 inch male flare fitting of the refrigerator.
8. Open the valve at the gas tank(s).



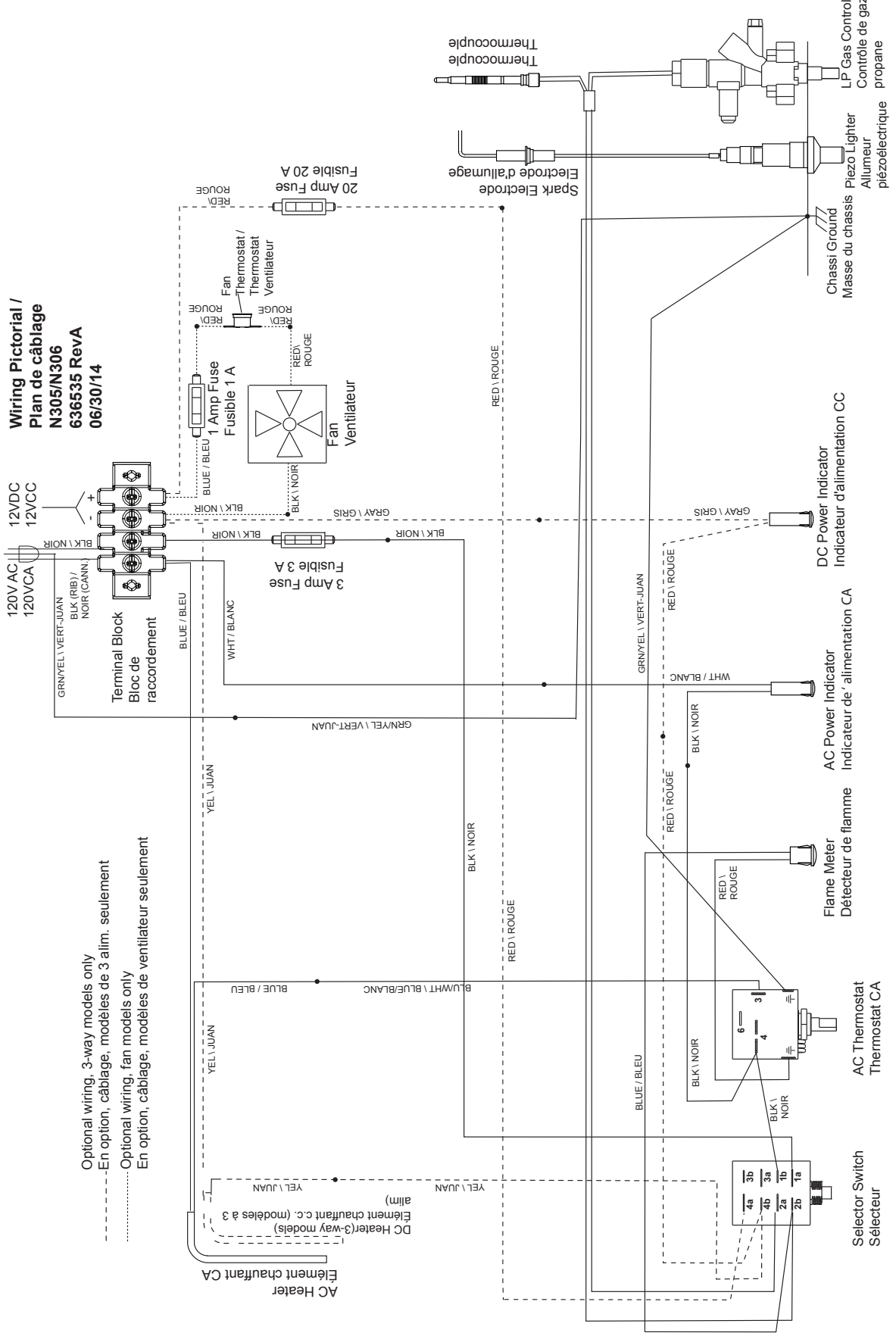
Do not allow the leak checking solution to touch the electrical components. Many liquids are electrically conductive and can cause a shock hazard, electrical shorts, and in some cases fire.

9. Examine the gas supply line for leaks.
10. Connect the DC wiring to the refrigerator:
 - Install the DC fuse or connect the DC wiring to the battery or the converter.
 - Connect the DC wires to the refrigerator.
11. Connect the AC power cord to the receptacle.

Replacement Parts

You may purchase replacement parts through your local RV dealer or authorized Norcold Service Center.

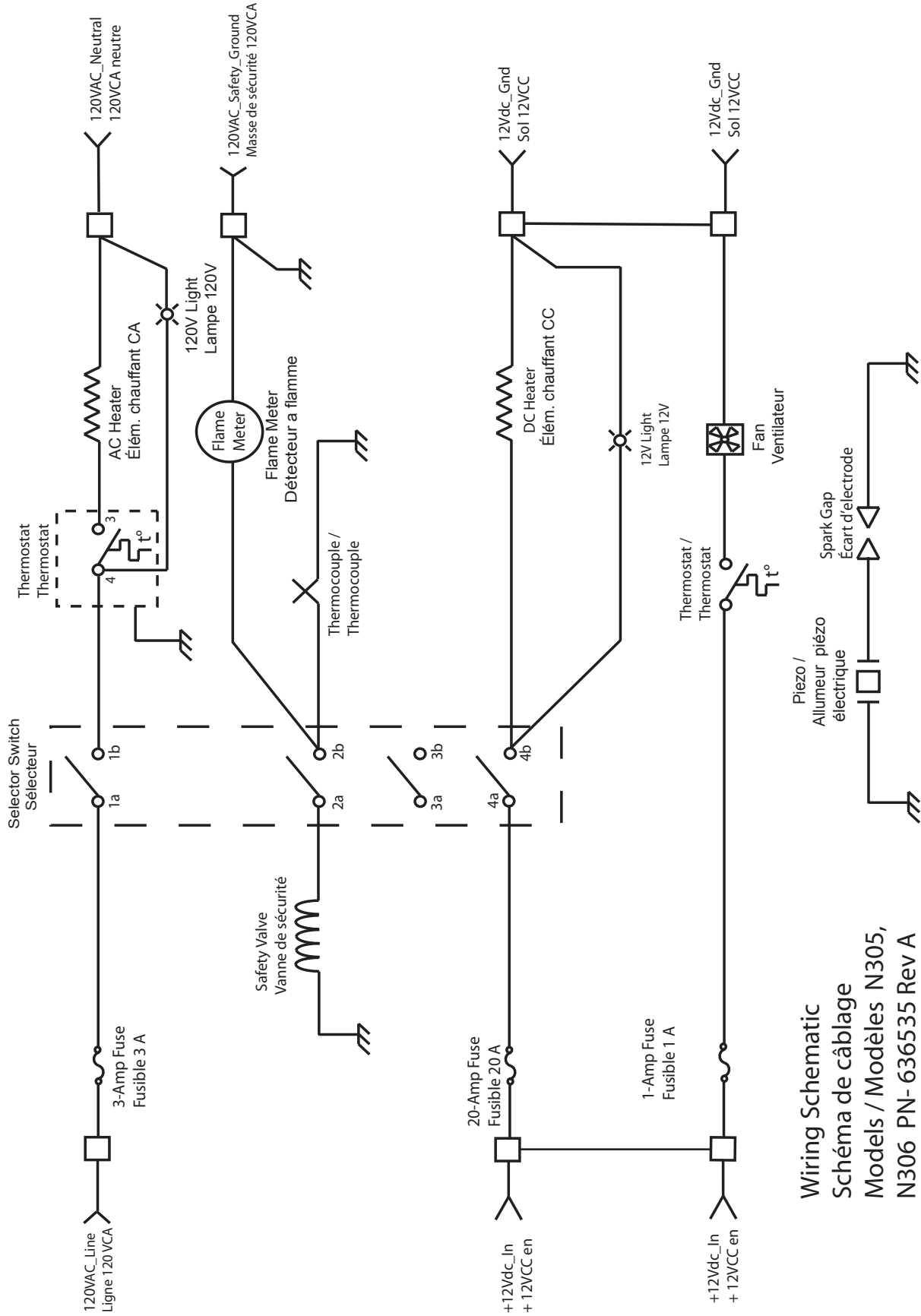
**Wiring Pictorial /
Plan de câblage
N305/N306
636535 RevA
06/30/14**



Optional wiring, 3-way models only
-En option, câblage, modèles de 3 allim. seulement

Optional wiring, fan models only
-En option, câblage, modèles de ventilateur seulement

Wiring Diagram



Wiring Schematic

Schéma de câblage
 Modèles / Modèles N305,
 N306 PN-636535 Rev A

Note: If any of the original wire as supplied with the refrigerator shall be replaced, it shall be replaced with the original type wire or its equivalent.



Manuel d'utilisation

pour le modèle N305X, N306X réfrigérateur de 2,7 pi³ à 2 ou 3 alimentations

Les numéros de modèle des réfrigérateurs à triple alimentation contiennent « .3 », mais pas ceux des réfrigérateurs à double alimentation.

La lettre « X », dans les numéros de modèle ci-dessus, représente une lettre ou un chiffre correspondant à une option de réfrigérateur.



AVERTISSEMENT RISQUE D'INCENDIE OU D'EXPLOSION

Si vous sentez une odeur de gaz :

1. Ouvrez Windows
2. N'essayez pas d'allumer des appareils et assurez-vous que l'appareil est en position d'arrêt.
3. Éteignez toute flamme nue
4. Ne touchez pas les interrupteurs électriques.
5. N'utilisez pas d'appareils électroniques tels que des téléphones portables ou des téléphones fixes.
6. Évacuer le bâtiment ou le véhicule récréatif
7. Coupez l'alimentation en carburant au réservoir de GPL.
8. Appelez les services d'urgence.

Le non-respect de ces instructions pourrait provoquer un incendie ou une explosion, ce qui pourrait causer des dommages matériels, des blessures corporelles ou la mort.



Une faute d'installation, de réglage, de modification, de réparation ou d'entretien peut causer des préjudices corporels ou matériels. Se reporter à ce manuel. Pour obtenir de l'assistance ou des informations supplémentaires, s'adresser à un installateur qualifié, au service après-vente ou à la compagnie de gaz.

SÉCURITÉ PERSONNELLE

Ne pas conserver ni utiliser d'essence ou d'autres liquides inflammables, ou dont les vapeurs peuvent s'enflammer, à proximité de cet appareil ou de tout autre appareil électroménager.



L'EMPOISONNEMENT AU MONOXYDE DE CARBONE PEUT CAUSER LA MORT OU DES BLESSURES.

Lorsqu'il est utilisé sans air de combustion et de ventilation adéquats, le réfrigérateur peut dégager un excès de MONOXYDE DE CARBONE et un gaz toxique inodore. Il s'agit d'un appareil à gaz non ventilé. Le réfrigérateur utilise l'air (oxygène) de la zone dans laquelle le réfrigérateur est utilisé. Un air de combustion et de ventilation adéquat doit être fourni,

Table des matières

Pour s'informer des conditions de garantie, se reporter à la page de l'énoncé de garantie qui se trouve dans la documentation relative au produit.

Manuel d'utilisation	3
Questions de sécurité.....	3
Consignes de sécurité.....	3
Description du réfrigérateur.....	4
Volume utile.....	4
Mise à niveau	4
Utilisation pendant le déplacement du véhicule.....	4
Compartiment réfrigérateur	4
Compartiment congélateur.....	4
Fonctionnement pendant le déplacement.....	4
Loquet de porte pour le voyage et le remisage.....	4
Commandes du réfrigérateur	5
Commandes.....	5
Allumage - fonctionnement au gaz propane liquide (GPL)	5
Effectuer un test de la soupape de sûreté du GPL	6
Mise en marche - Fonctionnement en courant alternatif	6
Mise à l'arrêt	6
Précautions pour le fonctionnement en courant continu	6
Directives pour le fonctionnement en courant continu	7
Effets de l'altitude élevée sur le fonctionnement au gaz propane	7
Effets des températures de congélation sur le fonctionnement du réfrigérateur.....	7
Opérations d'entretien courant du réfrigérateur	7
Dégivrage.....	8
Nettoyage.....	8
Plateau de dégivrage	8
Vérification du joint de porte.....	9
Opérations d'entretien technique du réfrigérateur	9
Période d'arrêt prolongé du réfrigérateur	10
Entretien du réfrigérateur	10
Inspection de la flamme	10
Dépose et nettoyage de la buse de brûleur	10
Enlèvement du réfrigérateur.....	11
Réinstallation du réfrigérateur	12
Pièces de rechange.....	12
Plan de câblage.....	13
Schéma de câblage.....	14

Questions de sécurité

Veillez lire attentivement ce manuel afin de vous familiariser avec son contenu avant de faire fonctionner le réfrigérateur.

Soyez très prudent lorsque vous apercevez le symbole de sécurité sur le réfrigérateur ou dans ce manuel. Le mot adjacent au symbole de sécurité (MISE EN GARDE ou AVERTISSEMENT) précise la gravité du danger. Lisez attentivement la définition de ces dangers donnée ci-dessous. Il y va de votre sécurité.



Ce terme de signalement indique un danger qui, s'il n'est pas pris en compte, peut causer une blessure grave, la mort ou d'importants dégâts matériels.



Ce terme de signalement indique un danger qui, s'il n'est pas pris en compte, peut causer une blessure légère ou d'importants dégâts matériels.

Consignes de sécurité



- Le rangement de produits inflammables derrière le réfrigérateur ou autour de celui-ci pose un danger d'incendie. Ne pas utiliser l'espace derrière le réfrigérateur pour ranger quoi que ce soit, en particulier les matériaux inflammables (essence, produits de nettoyage, etc.)
- Ne pas retirer le contact de terre rond du cordon d'alimentation c.a. du réfrigérateur. Ne pas utiliser un adaptateur à deux lames ou une rallonge sur le cordon d'alimentation c.a.
- Si les fils et (ou) fusibles ne sont pas de la taille correcte, l'installation électrique peut prendre feu sous l'effet de la surcharge du circuit. Utiliser les fils et fusibles de la taille indiquée dans le « Manuel d'installation » ou consulter les codes locaux ou les normes applicables RVIA pour déterminer les tailles qui conviennent.
- Une faute d'installation, de réglage, de modification ou d'entretien de ce réfrigérateur peut causer des préjudices corporels et (ou) matériels. En confier la réparation et l'entretien au concessionnaire ou à un centre de service après-vente agréé Norcold.
- Débrancher les sources d'alimentation en c.a. et c.c. avant d'intervenir sur le réfrigérateur. Toute opération d'entretien ou de réparation sur ce réfrigérateur doit être effectuée par un technicien qualifié.
- Ne pas contourner ou modifier les composants ou fonctions électriques du réfrigérateur.
- Lors de la mise au rebut d'un appareil électroménager, enlever toutes les portes pour éviter que quelqu'un ne s'enferme dedans et ne suffoque.
 - Ne pas vaporiser de liquides près des prises électriques, des raccords ou des pièces du réfrigérateur. Nombre de liquides sont conducteurs et peuvent poser des risques de décharge électrique, de court-circuit, voire même d'incendie.
- Le système frigorifique du réfrigérateur est sous pression. Ne pas essayer de réparer ou recharger un système frigorifique défectueux. Le système frigorifique contient du chromate de sodium. L'inhalation de certains composés du chrome peut causer le cancer. Le système frigorifique contient des produits chimiques qui peuvent causer de graves brûlures à la peau et aux yeux, s'enflammer et brûler avec une flamme intense. Ne pas recourber, faire tomber, souder, déplacer, percer, perforer ou heurter le système frigorifique.
- S'assurer régulièrement de l'absence totale de matériaux inflammables et d'obstruction aux conduits de fumée, brûleur, bouches de ventilation et passages d'air de ventilation du réfrigérateur. Après un certain temps d'entreposage, il est particulièrement important de vérifier ces endroits pour repérer tout matériau inflammable ou toute obstruction causée par des animaux.



- L'arrière du réfrigérateur présente des arêtes vives et des coins anguleux. Pour éviter de se couper ou de s'écorcher lors du travail sur le réfrigérateur, faire attention et porter des gants résistant aux coupures.

Description du réfrigérateur

Volume utile :

Ce réfrigérateur est conçu pour conserver des aliments frais et congelés et pour faire des glaçons.

Volume total	2,7 pi3
Volume du compartiment congélateur	0,4 pi3
Volume du compartiment réfrigérateur	2,3 pi3

Mise de niveau :



Le réfrigérateur est conçu pour fonctionner avec une tolérance d'inclinaison de 3° dans l'axe latéral et de 6° dans l'axe longitudinal (vu de l'avant du réfrigérateur). S'il est plus incliné que cela durant son fonctionnement, cela pose des risques de préjudices corporels ou matériels, notamment au système frigorifique. S'assurer que le véhicule est de niveau avant de mettre le réfrigérateur en route.

Utilisation pendant le déplacement du véhicule :

Le réfrigérateur doit être de niveau lorsque le véhicule est à l'arrêt, mais la performance du réfrigérateur n'est normalement pas affectée lorsque le véhicule se déplace.

Compartiment réfrigérateur :

Allumez ou faites démarrer le réfrigérateur et laissez-le refroidir pendant huit heures avant d'y mettre des aliments. Si le réfrigérateur ne commence pas à refroidir au bout de deux heures, adressez-vous à votre marchand ou à un centre de service après-vente Norcold autorisé.

Pour obtenir un refroidissement optimal :

- Laissez l'air circuler librement à l'intérieur de tout le compartiment réfrigérateur.
- Ne couvrez pas les clayettes avec du papier, de la pellicule de plastique, etc.

Pour réduire le givrage des ailettes de refroidissement :

- Couvrez les liquides et les aliments humides.
- Laissez refroidir les aliments chauds avant de les mettre au réfrigérateur.
- Ne laissez pas la porte ouverte plus longtemps que nécessaire.

Compartiment congélateur :

Le compartiment congélateur est conçu pour conserver les aliments déjà congelés, pas pour la congélation rapide des aliments.



Ne pas mettre d'autres articles sur le bac à glace pendant la formation des glaçons. L'eau gèle plus rapidement si le thermostat est à la position de température la plus froide.

Fonctionnement pendant le déplacement :

Le réfrigérateur doit être de niveau pour fonctionner. En conséquence, on s'en sert généralement quand le véhicule est arrêté, pas en cours de déplacement.

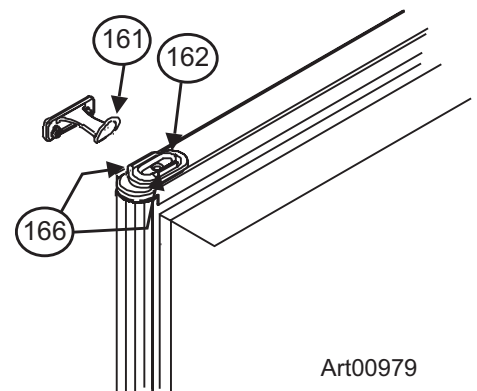
Loquet de porte pour le voyage et le remisage :

Pendant le déplacement, le loquet de porte empêche celle-ci de s'ouvrir. Il n'y a pas de chaînes, de glissières ni d'autres dispositifs à mettre en place.

Pendant le remisage, le loquet de porte empêche celle-ci de se fermer complètement, ce qui évite l'accumulation d'odeurs quand le réfrigérateur est mis hors service pour une durée prolongée.

Pour se servir du loquet de porte pour le remisage (voir Art00979) :

- Ouvrez la porte juste assez pour que le loquet [161] se place entre les nervures [166] de la gâche [162].

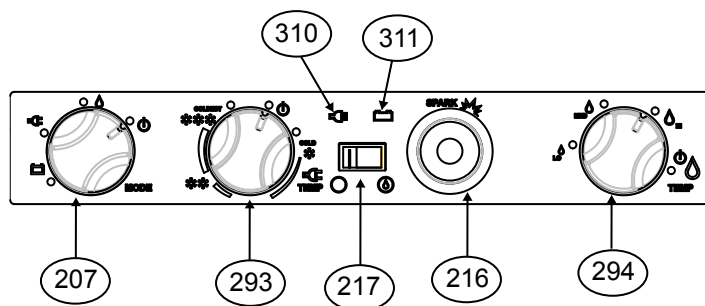


Art00979

Commandes du réfrigérateur





Tableau de commande : (Voir Art02473)

Sélecteur.....	207
Thermostat c.a.....	293
Indicateur de flamme.....	217
Allume-gaz piézo-électrique.....	216
Commande de gaz.....	294
Voyant d'alimentation c.a.....	310
Voyant d'alimentation c.c.(modèles à triple alimentation seulement).....	311



ART 02473

Le sélecteur [207] change la source d'énergie du réfrigérateur :

- GPL (), Courant élect. alt. (), Courant élect. cont. () et ARRÊT ().

Le thermostat c.a. [293] contrôle la température durant le fonctionnement en mode courant électrique alternatif :

Le voyant d'alimentation c.a [310] indique que le réfrigérateur fonctionne en mode courant alternatif.

Le voyant d'alimentation c.c [311] indique que le réfrigérateur fonctionne en mode courant continu.

L'allume-gaz piézo-électrique [216] crée une étincelle qui allume la flamme du brûleur.

L'indicateur de flamme [217] indique la présence d'une flamme dans le brûleur.

La commande de gaz [294] règle la température du réfrigérateur durant le fonctionnement en mode GAZ. Pour changer le mode de température, pousser sur la commande de gaz et la tourner sur la position HI (haute), MED (moyenne) ou LO (basse). La position HI donne la température la plus froide.

AVIS


Cette commande de gaz n'est pas automatique. Elle ne diminue pas la flamme automatiquement comme c'est le cas d'autres réfrigérateurs pour véhicules de loisir. Si la charge sur le réfrigérateur change, il faut régler soi-même la température pour qu'elle reste la même à l'intérieur.

La commande de gaz comporte une soupape de sûreté intégrée. Tant que la flamme est présente, la soupape de sûreté est ouverte et laisse passer le gaz propane liquide (GPL) vers le brûleur. Toute perte de flamme (bouteille de gaz vide, éruption, etc.) ferme la soupape de sûreté et coupe le débit de GPL.

Lorsque la température extérieure est de moins de 50°F, le réfrigérateur peut avoir tendance à geler les aliments si la température est réglée trop bas. Pour réduire ce sur-refroidissement :

- Tourner la commande de gaz en position LO (basse).
- Garder le réfrigérateur plein.
- Placer les aliments les plus susceptibles de geler sur la clayette inférieure.

Allumage - fonctionnement au gaz propane liquide (GPL) :

1. Ouvrir le robinet à la bouteille de propane.
2. Tourner le sélecteur [207] en position GPL ().
3. Tourner la commande de gaz [294] en position HI (haute).
4. Appuyer sur la commande de gaz [294] et la maintenir enfoncée.
5. Faire plusieurs pressions rapides sur l'allume-gaz piézo-électrique [216] pendant à peu près cinq secondes :




Ne pas maintenir la commande de gaz enfoncée pendant plus de 30 secondes. Si la flamme ne vient pas, attendre au moins cinq minutes avant de réessayer d'allumer. Si la commande de gaz est maintenue trop longtemps enfoncée, le GPL se répand dans la zone du brûleur. Ceci pose un danger d'incendie ou d'explosion pouvant causer des blessures graves ou mortelles.

- Lorsque la flamme arrive et que l'indicateur de flamme [217] passe au vert, attendre cinq secondes environ puis relâcher la commande de gaz.
 - Si l'indicateur de flamme ne passe pas au vert, répéter cette étape.
6. Tourner la commande de gaz [294] à la position de température désirée.


Effectuer un test de la soupape de sûreté du GPL :

Avec une flamme établie en mode GPL :

1. Appuyer sur la commande de gaz et la tourner en position Arrêt. (🔌)
2. Après l'extinction de la flamme, on doit entendre un net déclic dans les 90 secondes.
 *La valve de sécurité du GPL doit toujours émettre un net déclic lorsqu'elle se ferme.*
3. Appuyer sur la commande de gaz et la tourner en position HI (haute).
4. Sans appuyer sur la commande de gaz, appuyer sur l'allume-gaz rapidement à plusieurs reprises. Le brûleur ne doit pas s'allumer. Ceci signifie que la soupape de sûreté du GPL fonctionne correctement.

Mise en marche - Fonctionnement en courant alternatif :

- Vérifier si l'alimentation 120 V c.a. est disponible.
- Tourner le sélecteur en position c.a. (☐).
- *Tourner le thermostat c.a [293] à la position de température désirée.*

 *Veiller à ce que le thermostat c.a. [293] n'est pas réglé sur la position d'arrêt. (🔌)*

Mise en marche - Fonctionnement en courant continu (modèles à triple alimentation seulement) :

- Vérifier si l'alimentation 12 V c.c. est disponible.
- Tourner le sélecteur en position c.c. (☐).

Mise à l'arrêt :

- Tourner le sélecteur en position ARRÊT (🔌).

Précautions pour le fonctionnement en courant continu :

Ce réfrigérateur est prévu pour fonctionner en courant continu pendant que le véhicule est « en transit » et que les sources de courant alternatif ou de GPL ne sont pas disponibles. Faire fonctionner le réfrigérateur en courant continu uniquement quand le moteur du véhicule est en marche.

Pour que le réfrigérateur fonctionne correctement en courant continu, la batterie doit être maintenue à pleine charge.

Pour que la batterie demeure pleinement chargée durant le fonctionnement du réfrigérateur sur courant continu, le moteur du véhicule doit être en marche et le système de charge de la batterie doit être en bon état de fonctionnement.

Garder à l'esprit les précautions électriques suivantes pour le fonctionnement en c.c. du réfrigérateur :

- Une batterie en bon état est nécessaire pour le fonctionnement en c.c.
- La capacité du système de charge de la batterie doit être supérieure à ce qui est nécessaire pour le réfrigérateur et les autres appareils c.c.
- Pendant que le moteur du véhicule tourne, vérifier que la tension aux fils d'alimentation en c.c. du réfrigérateur est supérieure à 11,5 V c.c.

Directives pour le fonctionnement en courant continu :

Le fonctionnement en c.c. est prévu uniquement pour maintenir la température du réfrigérateur et de son contenu quand ils sont déjà froids.

Le fonctionnement en c.c. n'est pas prévu pour la mise en marche initiale et le refroidissement du réfrigérateur. Toujours utiliser le fonctionnement soit en courant alternatif soit au GPL pour la marche initiale et le refroidissement du réfrigérateur. Le réfrigérateur doit être refroidi et la température doit être stable avant de faire fonctionner le réfrigérateur en c.c.

Garder à l'esprit les directives suivantes pour le fonctionnement en c.c. du réfrigérateur :

- Utiliser le fonctionnement en c.c. du réfrigérateur quand le véhicule est en transit.
- Ne pas utiliser le fonctionnement en c.c. avant que le réfrigérateur et son contenu soient complètement refroidis.
- Utiliser le c.c. seulement si la batterie du véhicule et son système de charge sont en bon état de fonctionnement.

Effets de l'altitude élevée sur le fonctionnement au gaz propane

Lorsque le réfrigérateur fonctionne au gaz propane à des altitudes de plus de 5500 feet au-dessus du niveau de la mer :

- Le réfrigérateur risque de ne pas donner d'aussi bons résultats.
- Le brûleur risque de s'éteindre spontanément.

Pour éviter ce type de problème, Norcold recommande de faire fonctionner le réfrigérateur sur courant alternatif lorsque l'on se trouve à des altitudes de plus de 5500 feet au-dessus du niveau de la mer.

Effets des températures de congélation sur le fonctionnement du réfrigérateur

Les réfrigérateurs à absorption de gaz ne sont pas conçus pour fonctionner à des températures de congélation. Si le réfrigérateur n'est pas équipé pour fonctionner à basse température et que son système frigorifique est exposé à des températures inférieures ou égales à 32 °F pendant une période prolongée, son fonctionnement risque d'être perturbé. Son fonctionnement reprendra alors une fois son système frigorifique suffisamment réchauffé.

Si le réfrigérateur est équipé pour fonctionner à basse température, il peut fonctionner à des températures allant jusqu'à 0 °F.

Les perturbations du fonctionnement du réfrigérateur dues à une exposition prolongée à des températures inférieures ou égales à 32 °F et les coûts subis pour réchauffer le système frigorifique du réfrigérateur ne sont pas couverts par la garantie limitée Norcold. Veuillez vous adresser à votre concessionnaire local de véhicules de loisirs pour obtenir les renseignements nécessaires sur la reprise du fonctionnement du réfrigérateur ou sur la façon d'équiper votre réfrigérateur en vue de son fonctionnement à des températures de congélation. Ne pas modifier l'installation ni la ventilation du réfrigérateur. Les pannes de réfrigérateur dues à des modifications apportées à l'installation ou à la ventilation du réfrigérateur ne sont pas couvertes par la garantie limitée de Norcold.

Opérations d'entretien courant du réfrigérateur

Votre réfrigérateur vous assurera des années de service sans problèmes si vous procédez à ces simples opérations d'entretien courant tous les trois à six mois :

- Veiller à la propreté du compartiment pour les aliments et du congélateur. Voir « Nettoyage ».
- Dégivrer le réfrigérateur aussi souvent que nécessaire. Voir « Dégivrage ».
- Assurez-vous que la porte se ferme bien. Voir "Joint de porte".
- Faites attention aux changements de réfrigération qui ne sont pas dûs au temps, à la charge ou à des changements de commande du gaz. Si vous remarquez de tels changements, adressez-vous à votre distributeur ou à un centre de service après-vente.
- Vérifiez que le gaz est bien du propane seulement, et pas du butane ou un mélange de butane.

Dégivrage

Les ailettes de refroidissement du réfrigérateur fonctionnent à des températures de gel et il est normal qu'au contact de l'humidité de l'air elles se couvrent de givre. L'humidité à l'intérieur du réfrigérateur augmente :

- proportionnellement à la température et à l'humidité extérieures.
- lorsque des aliments frais non recouverts ou des aliments encore chauds sont placés dedans.
- d'autant plus que la ou les portes sont laissées longtemps ouvertes.
- si le réfrigérateur présente des fuites d'air.

Il est normal que du givre s'accumule à l'intérieur du réfrigérateur. Un réfrigérateur trop givré risque de ne pas donner d'aussi bons résultats. Dégivrer le réfrigérateur aussi souvent que nécessaire :

- Sortir tous les aliments du réfrigérateur.
- Éteindre le réfrigérateur.

AVIS *Le dégivrage rend beaucoup d'eau dans le réfrigérateur.*

- Placer des serviettes sèches (etc.) à l'intérieur du réfrigérateur pour absorber le givre fondu.



Des températures élevées peuvent entraîner la distorsion ou la fonte des surfaces intérieures du réfrigérateur. Ne pas utiliser de récipients d'eau TRÈS CHAUDE, de sèche-cheveux ou d'autres dispositifs à haute température pour dégivrer le réfrigérateur. Ne pas employer d'objets durs ou tranchants pour enlever le givre. L'intérieur du réfrigérateur risquerait d'être endommagé.

- Pour obtenir un dégivrage plus rapide, placer des récipients d'eau CHAUDE dans le réfrigérateur.
- Enlever les serviettes humides (etc.) et sécher l'intérieur.
- Remettre le réfrigérateur en route.
- Laisser le réfrigérateur se refroidir.
- Remettre tous les aliments dans le réfrigérateur.

Nettoyage

Une fois que vous avez dégivré le réfrigérateur, vous pouvez en profiter pour le nettoyer.

Nettoyez l'intérieur du réfrigérateur aussi souvent qu'il le faut pour éviter l'accumulation d'odeurs des aliments :

- Retirez tous les aliments du réfrigérateur



Ne pas se servir de produits de nettoyage abrasifs, de produits chimiques ou de tampons à récurer car ils risquent d'endommager l'intérieur du réfrigérateur.

- Lavez l'intérieur du réfrigérateur avec une solution de détergent à vaisselle doux et d'eau tiède.

Plateau de dégivrage :

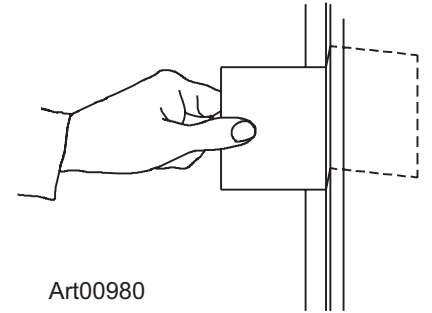
Pour retirer le plateau de dégivrage et pour le nettoyer, procéder comme suit :

- S'assurer que le plateau de dégivrage ne contient plus d'eau.
- Tirer sur le plateau de dégivrage pour le sortir des fentes de la caisse du réfrigérateur.
- Nettoyer le plateau de dégivrage.
- Pousser le plateau de dégivrage en place dans sa position d'origine.

Vérification du joint de porte

Si la porte du réfrigérateur ne ferme pas bien, il se produit un givrage excessif. Pour vérifier l'étanchéité du joint de la porte :

- Fermez la porte sur un morceau de papier des dimensions d'un billet d'un dollar (voir Art00980)
- Tirez doucement sur le papier.
 - Vous devez sentir une certaine résistance entre le joint et l'armoire.
 - Répétez l'opération sur les quatre côtés de la porte.
 - Si vous ne sentez pas de résistance, cela indique que la porte ne ferme pas bien. Dans ce cas :
 - Vérifiez que les vis des charnières sont bien serrées.
 - Assurez-vous que le joint de la porte ne touche pas le loquet :
 - Si le joint de la porte touche le loquet, desserrez les vis du loquet.
 - Remontez le loquet de la porte juste assez pour qu'il ne touche plus le loquet et resserrez les vis.
 - Vérifiez que le loquet maintient bien la porte fermée.



Opérations d'entretien technique du réfrigérateur

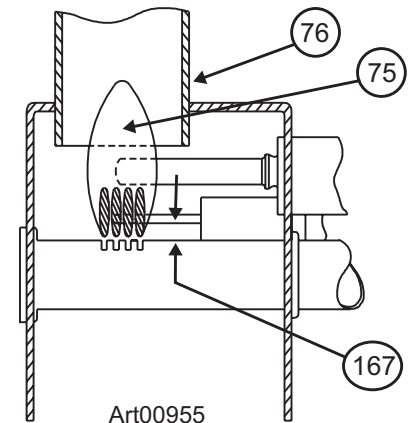
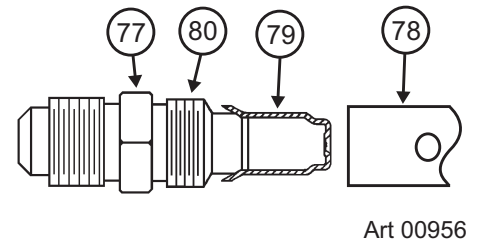
Lisez les consignes d'entretien suivantes, en vous assurant de bien les comprendre.

AVIS

Norcold décline toute responsabilité en cas d'installation, de réglage, de modification, de réparation ou d'entretien effectué(e) par quiconque autre qu'un concessionnaire de véhicules de loisir qualifié ou un centre de service après-vente agréé Norcold.

Faites faire les vérifications annuelles de sécurité et d'entretien suivantes par un distributeur de véhicules de plaisance agréé ou un centre de service après-vente Norcold autorisé :

- Inspection des conduites de gaz pour détecter les fuites.
 - Remplacer ou réparer, selon le besoin.
- S'assurer que la pression du gaz propane est à 11 inches de colonne d'eau.
 - Régler si nécessaire.
- Vérification de l'état du joint de combustion.
 - Remplacer ou réparer, selon le besoin.
- Vérification du brûleur et de la buse de brûleur pour s'assurer de leur propreté. (Voir Art00956)
 - Nettoyer si nécessaire.
- Vérification de l'écartement de l'électrode d'allumage [167] entre 1/8e et 3/16e po. (Voir Art00955)
 - Régler si nécessaire.
- S'assurer que la tension c.a. est de 108 à 132 volts et la tension c.c. de 10,5 à 15,4 volts.
 - Régler si nécessaire.
- Vérification de l'extrémité du thermocouple qui doit être propre et bien assujettie.
- Inspection de l'arrière du réfrigérateur pour s'assurer qu'il n'y a pas de matériaux combustibles rangés dans cet endroit, en particulier de l'essence et autres liquides dégagant des vapeurs inflammables.



Période d'arrêt prolongé du réfrigérateur

Avant d'entreposer le réfrigérateur pour une période d'arrêt prolongé (hors saison d'utilisation) :

- Dégivrer et nettoyer l'intérieur du réfrigérateur.
- Fermer les portes avec le verrou de stockage.

Avant de remettre en route le réfrigérateur après une période d'arrêt prolongé :

- Vérifier que les orifices de mise à l'air libre, le conduit de fumée, le brûleur, l'orifice du brûleur, et le passage d'air de ventilation ne sont pas obstrués.

Entretien du réfrigérateur

Inspection de la flamme :

Lors du fonctionnement avec du gaz propane, examiner l'apparence de la flamme de gaz :

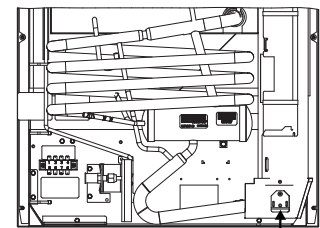
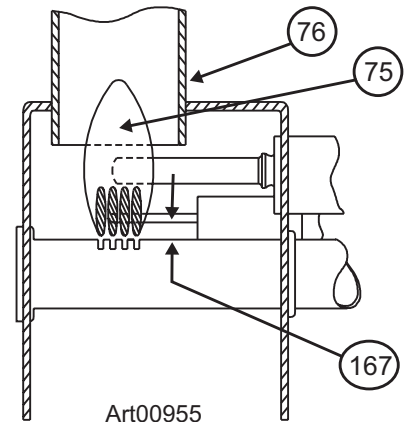
- Appuyer sur la commande de gaz et la tourner en position HI (haute).
- Ouvrez la bouche de prise d'air inférieure.



Le couvercle du compartiment du brûleur peut être brûlant. Porter des gants pour éviter les brûlures.

- Ouvrez la porte du compartiment du brûleur [165] et regardez la flamme du gaz [75] (Voir Art00955 et Art02536).

- La flamme doit être :
 - d'un bleu plus foncé à l'intérieur qu'à l'extérieur.
 - de forme constante et sans vacillation.
- S'enquérir auprès du concessionnaire ou du centre de service après-vente agréé Norcold si la flamme :
 - est jaune
 - vacille ou change de forme.
- Assurez-vous que la flamme ne touche pas l'intérieur du tube de brûleur [76].
- Si la flamme touche l'intérieur du tube de brûleur, adressez-vous à votre distributeur ou à un centre de service après-vente Norcor autorisé.
- Refermez la porte du compartiment du brûleur.



ART 02536

165

Dépose et nettoyage de la buse de brûleur :



Cette opération doit être effectuée par un concessionnaire ou un centre de service après-vente agréé Norcold.

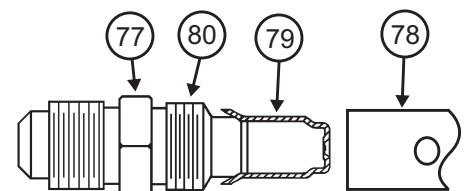
Pour déposer et nettoyer la buse de brûleur :

- Fermer le robinet de la bouteille de gaz.
- Appuyer sur la commande de gaz et la tourner en position ARRÊT (🔌).
- Tourner le sélecteur en position ARRÊT (🔌).
- Ouvrir la bouche de prise d'air inférieure.



Le couvercle du compartiment du brûleur peut être brûlant. Porter des gants pour éviter les brûlures.

- Retirer le couvercle du boîtier de brûleur en ôtant une vis.



Art 00956



Pour éviter les fuites de gaz propane, toujours se servir de deux clés pour desserrer et serrer le tuyau d'arrivée de gaz au niveau du robinet d'arrêt manuel du réfrigérateur.

- Dévisser l'écrou évasé de l'ensemble de buse [77] (voir Art00956).
- Retirer l'ensemble de buse du brûleur [78].



Lors du nettoyage, ne pas essayer de démonter la buse [79] de son adaptateur [80]. La buse et son joint risqueraient d'être endommagés, ce qui pourrait causer une fuite de gaz propane. Le gaz propane qui s'échappe risque de s'enflammer ou d'exploser, d'où risque de blessures graves ou mortelles. Ne pas nettoyer la buse avec une épingle ou tout autre objet.

- Nettoyer l'ensemble de buse uniquement avec de l'alcool et un jet d'air comprimé.
- Au moyen d'une clé, remonter l'ensemble de buse sur le brûleur.
- Remettre l'écrou évasé en place sur l'ensemble de buse.
 - Serrer le raccord conique à la main.
 - En maintenant fermement la buse, donner seulement 1/4 de tour de clé au raccord conique.
- Inspecter tous les raccords pour s'assurer qu'il n'y a pas de fuite de gaz.

Enlèvement du réfrigérateur



Cette opération doit être effectuée par un concessionnaire ou un centre de service après-vente agréé Norcold.



L'arrière du réfrigérateur présente des arêtes vives et des coins anguleux. Pour éviter de se couper ou de s'écorcher lors du travail sur le réfrigérateur, faire attention et porter des gants résistant aux coupures.

1. Fermer le robinet de la bouteille de gaz.



Pour éviter les fuites de gaz propane, toujours se servir de deux clés pour desserrer et serrer le tuyau d'arrivée de gaz au niveau du robinet d'arrêt manuel du réfrigérateur.

2. Ouvrir la prise d'air inférieure et enlever le tuyau d'arrivée de gaz du raccord mâle conique de 3/8 po du réfrigérateur.
3. Débrancher le cordon d'alimentation de c.a. de sa prise.
4. Débrancher les fils d'alimentation de c.c. du réfrigérateur.
 - Débrancher les fils c.c. de la batterie ou du convertisseur du véhicule.
 - Marquer les fils c.c. pour être sûr de les remettre au bon endroit.
 - Débrancher les fils de c.c. du réfrigérateur.
5. Dévisser les vis qui fixent le réfrigérateur au plancher.
6. Démonter les tampons en plastique des brides de montage du réfrigérateur.
7. Démonter la porte du réfrigérateur.
8. Dévisser les vis qui fixent le réfrigérateur à la cloison verticale.
9. Sortir le réfrigérateur de son emplacement.
10. Remonter la porte du réfrigérateur.

Réinstallation du réfrigérateur

AVIS

Cette opération doit être effectuée par un concessionnaire ou un centre de service après-vente agréé Norcold.



S'assurer que le joint de combustion n'est pas rompu, qu'il entoure complètement les brides de montage du réfrigérateur et qu'il sépare ces brides de la paroi de l'enceinte. Si le joint de combustion est interrompu, des gaz d'échappement peuvent s'infiltrer dans l'habitacle du véhicule. L'inhalation de gaz d'échappement peut causer des vertiges, des nausées et, dans les cas extrêmes, la mort.

1. Repousser le réfrigérateur à fond dans l'enceinte.
2. Démonter la porte du réfrigérateur.
3. Visser les vis dans la paroi en passant par les brides de montage.
4. Remettre en place les tampons en plastique sur les brides de montage du réfrigérateur.
5. Remonter la porte du réfrigérateur.



L'arrière du réfrigérateur présente des arêtes vives et des coins anguleux. Pour éviter de se couper ou de s'écorcher lors du travail sur le réfrigérateur, faire attention et porter des gants résistant aux coupures.

6. Ouvrir la bouche de prise d'air inférieure et visser les vis dans le réfrigérateur et dans le plancher.



Pour éviter les fuites de gaz propane, toujours se servir de deux clés pour desserrer et serrer le tuyau d'arrivée de gaz au niveau du robinet d'arrêt manuel du réfrigérateur.

7. Brancher le tuyau d'arrivée de gaz au raccord mâle conique de 3/8 po du réfrigérateur.
8. Ouvrir le robinet de la bouteille de propane.



Ne pas laisser la solution de contrôle des fuites entrer en contact avec les composants électriques. Nombre de liquides sont conducteurs et peuvent poser des risques de décharge électrique, de court-circuit, voire même d'incendie.

9. Inspecter la conduite de gaz pour s'assurer qu'il n'y a pas de fuites.
10. Raccorder les fils d'alimentation c.c. au réfrigérateur :
 - Remettre le fusible c.c. ou rebrancher les fils de c.c. à la batterie ou au convertisseur du véhicule.
 - Brancher les fils c.c. au réfrigérateur
11. Brancher le cordon d'alimentation c.a. dans la prise.
 - Démonter le fusible c.c. ou débrancher les fils de c.c. de la batterie ou du convertisseur du véhicule.

Pièces de rechange

Les pièces de rechange peuvent être achetées chez le concessionnaire de véhicules de plaisance local ou dans un Centre d'entretien autorisé Norcold.

Plan de câblage

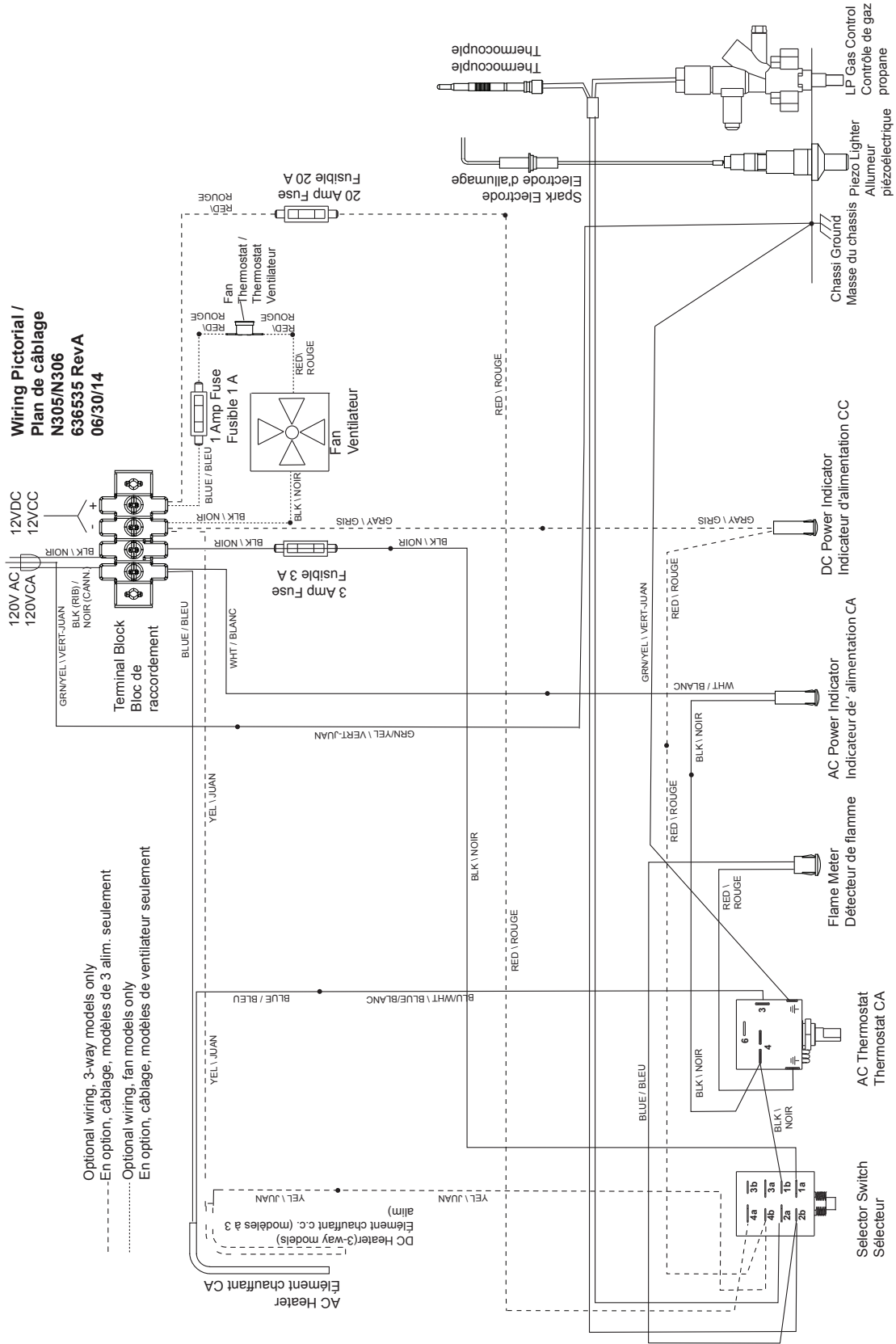
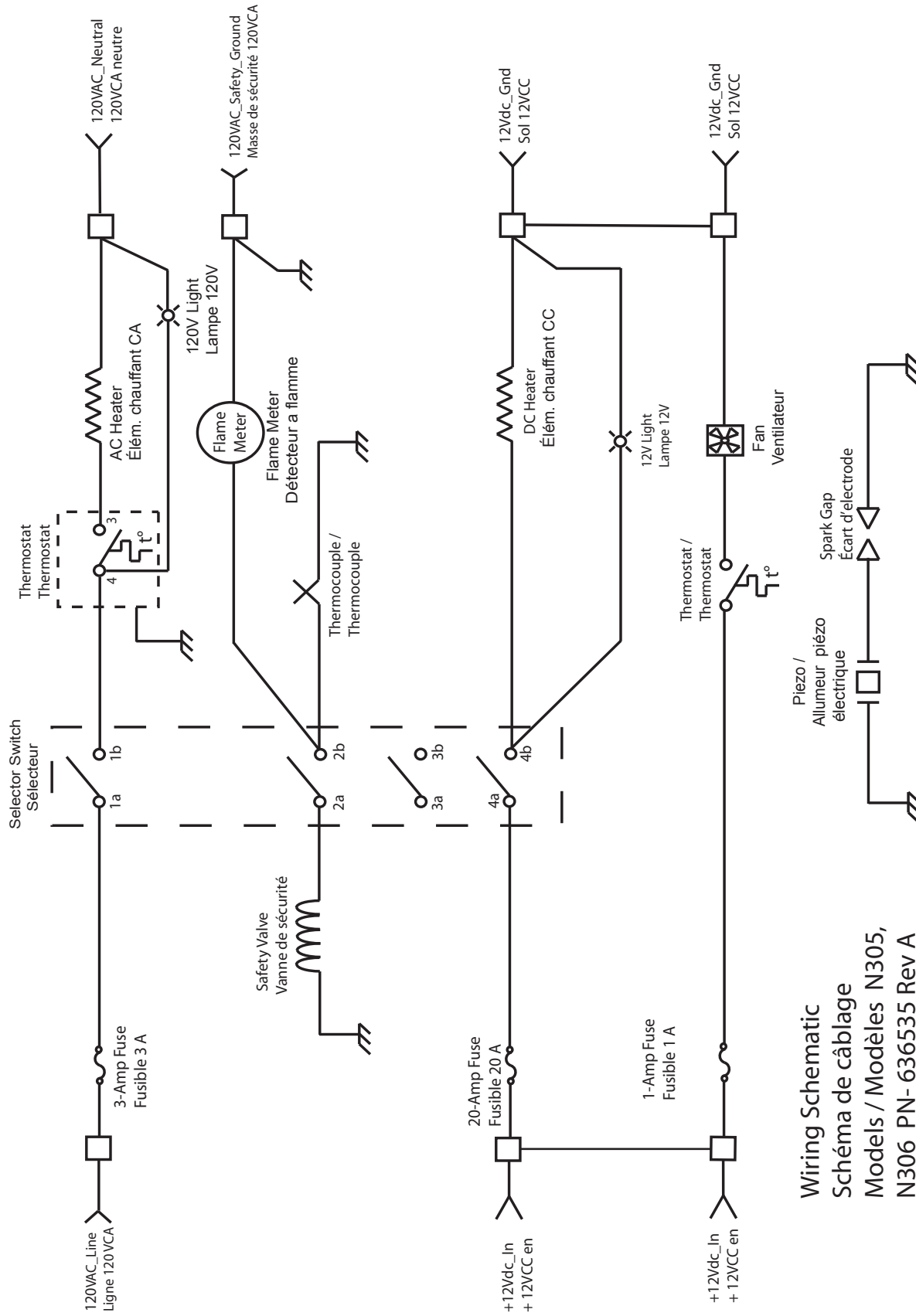


Schéma de câblage



Wiring Schematic

Schéma de câblage
 Models / Modèles N305,
 N306 PN-636535 Rev A

Remarque: Si l'un des fils d'origine fournis avec le réfrigérateur doit être remplacé, il doit être remplacé par le fil de type d'origine ou son équivalent.