



Owner's Manual

For N61X models: 6 cu.ft., 2-way, R.V. refrigerators.
For N81X models: 8 cu.ft., 2-way, R.V. refrigerators.

The letter "X", in the model number above, stands for a letter or a numeral which means a refrigerator option.



FIRE OR EXPLOSION HAZARD

If you smell gas:

1. Open Windows
2. Do not attempt to light appliances and make sure the appliance is in the off position.
3. Extinguish any open flame
4. Do not touch electrical switches.
5. Do not use electronic devices such as cell phones or landline phone.
6. Evacuate the building or recreational vehicle
7. Shut off fuel supply at LP tank.
8. Call emergency services.

Failure to follow these instructions could result in fire or explosion, which could cause property damage, personal injury, or death.



Improper installation, adjustment, alteration, service or maintenance can cause injury or property damage. Refer to this manual. For assistance or additional information, contact a qualified installer, service agency, or the gas supplier.

FOR YOUR SAFETY

Do not store or use gasoline or other flammable vapors and liquid in the vicinity of this or any other appliance.



CARBON MONOXIDE POISONING MAY CAUSE DEATH OR INJURY.

When used without adequate combustion and ventilation air, the refrigerator may give off excess CARBON MONOXIDE, and odorless poisonous gas. This is an unvented gas-fired appliance. The refrigerator uses air (oxygen) from the area in which the refrigerator is used. Adequate combustion and ventilation air must be provided.

English

Table of Contents

For defined warranty terms, please see the one page warranty statement included in the product information packet.

Safety Awareness	2
Safety Instructions	3
About Your Refrigerator	3
Storage volume	3
Leveling	3
Operation during travel	4
Food compartment	4
Freezer compartment	4
Crisper(s)	4
Door bins	4
Adjustable shelves	4
Door handles	5
Interior light	5
Moisture reduction heater	5
Temperature control system	5
Backup operating system	6
Temperature switch monitor	6
Operating the Refrigerator Controls	6
Control panel	6
Automatic mode operation	7
Removing air from the propane gas supply lines	7
Set the controls to automatic mode operation	7
Set the controls to manual mode operation	8
Effect of High Altitude on Propane Gas Operation	8
Effects of Freezing Temperatures on Refrigerator Operation	8
Refrigerator Care Checklist	8
Defrosting	9
Cleaning	10
Drip tray	10
Door Sealing	10
Refrigerator Maintenance Checklist	11
Refrigerator Storage	11
Refrigerator Maintenance	12
Gas flame appearance	12
Remove and clean the burner orifice	12
Remove the Refrigerator	13
Reinstall the Refrigerator	14
Wiring Diagram and Pictorial	14
Wiring Diagram and Pictorial - Low Ambient Heater (optional)	16
Replacement Parts	16
Display Codes	16
Fault Codes	17

Safety Awareness

Read this manual carefully and understand the contents before you use the refrigerator.

Be aware of possible safety hazards when you see the safety alert symbol on the refrigerator and in this manual. A signal word follows the safety alert symbol and identifies the danger of the hazard. Carefully read the descriptions of these signal words to fully know their meanings. They are for your safety.



This signal word means a hazard, which if ignored, can cause dangerous personal injury, death, or much property damage.



This signal word means a hazard, which if ignored, can cause small personal injury or much property damage.

Safety Instructions



- The storage of flammable materials behind or around the refrigerator creates a fire hazard. Do not use the area behind the refrigerator to store anything, especially flammable materials (gasoline, cleaning supplies, etc.)
- Do not remove the round ground prong from any of the AC power cords. Do not use a two prong adapter or an extension cord with any of the AC power cords.
- A circuit overload can result in an electrical fire if the wires and/or fuses are not the correct size. Use only the wire and fuse sizes as written in the "Installation Manual".
- Incorrect installation, adjustment, change to, or maintenance of this refrigerator can cause personal injury, property damage, or both. Have service and maintenance work done by your dealer or by an Norcold authorized service center.
- Disconnect both the AC and DC power sources before doing any maintenance work on the refrigerator. All service work on this refrigerator must be done by a qualified service technician.
- Do not bypass or change the refrigerator's electrical components or features.
- When you discard an appliance, remove all doors to prevent accidental entrapment and suffocation.
- Do not spray liquids near electrical outlets, connections, or the refrigerator components. Many liquids are electrically conductive and can cause a shock hazard, electrical shorts, and in some cases fire.
- The refrigerator cooling system is under pressure. Do not try to repair or to recharge a defective cooling system. The cooling system contains sodium chromate. The breathing of certain chromium compounds can cause cancer. The cooling system contents can cause severe skin and eye burns, and can ignite and burn with an intense flame. Do not bend, drop, weld, move, drill, puncture, or hit the cooling system.
- At regular intervals, make sure that the refrigerator flue the burner, the vent areas, and the ventilation air pathway between the vents are completely free from any flammable material or blockage. After a period of storage, it is especially important to check these areas for any flammable material or blockage caused by animals.



- The rear of the refrigerator has sharp edges and corners. To prevent cuts or abrasions when working on the refrigerator, be careful and wear cut resistant gloves.

About Your Refrigerator

Storage Volume:

This refrigerator is made for storage of foods and frozen food and for making ice.

Total capacity	N61X models	N81X models
	6.3 cubic feet	7.5 cubic feet

Leveling:



The refrigerator is made to operate within 3° off level side-to-side and 6° off level front-to-back (as looking at the front of the refrigerator). Operating it at more than these limits can cause damage to the cooling system and create a risk of personal injury or property damage. Make sure the vehicle is level before you operate the refrigerator.

Operation during travel:

While the refrigerator should be level when the vehicle is stopped, performance during travel is not usually effected.

Food compartment:

Start up the refrigerator and let it cool for eight hours before loading with food. If the refrigerator does not start to cool down after about two hours, contact your dealer or a Norcold authorized service center.

For the best cooling performance:

- Let air move freely inside the entire food compartment.
- Do not cover the shelves with plastic, paper, etc.

To decrease the amount of ice that collects on the cooling fins:

- Cover all liquids and moist foods.
- Let all hot foods cool before putting them in the refrigerator.
- Do not open the door any longer than necessary.

Freezer compartment:

The freezer compartment is made to keep pre-frozen food frozen and not to quick freeze food. Keep pre-frozen foods in the freezer compartment.

NOTICE

Do not put other items on the ice tray while the water is freezing. The water freezes more rapidly if the thermostat is at the COLDEST position.

Crisper(s):

The crisper(s) are located at the bottom of the fresh food compartment and supply a storage area to preserve fruit and vegetable freshness. Make sure that you always push the crispers fully in.

NOTICE

Do not wash the crispers in a dishwasher. The crispers are not dishwasher safe.

Door bins:

You may put the door bins [52] of the freezer and fresh food compartment in a location that best meets your needs (see Art00989). To remove the bins, lift them over the locator and pull them forward. To install the bins, push them onto the locator.

NOTICE

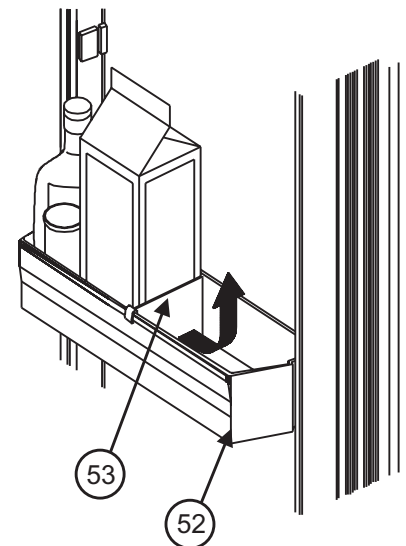
Do not wash the door bins and bin slides in a dishwasher. The door bins and bin slides are not dishwasher safe.

Adjustable shelves:

The shelves in the freezer and the fresh food compartment are made so you can remove them or move them.

To remove or move the shelf of the freezer:

- Pull the shelf forward out of the slot.
- Push it fully into the slot that you wish.



Art00989

To remove or move each shelf of the fresh food compartment:

- Remove the screw from the retainer of each shelf at the rear of the refrigerator.
- Pull each shelf forward out of the slot.
- Push each shelf fully into the slot that you wish.
- Attach the retainer with the screw.

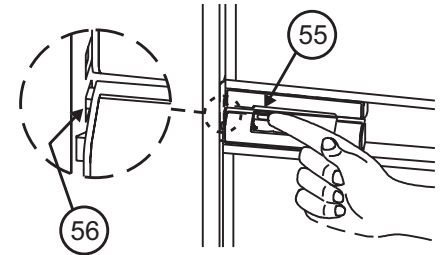
Door handles:

During travel, the door latch prevents the door from opening. When closing each door, push the door toward the refrigerator until you hear a “click” sound.

To open each door, pull the handle away from the refrigerator.

During storage, the storage latch prevents the door from completely closing. Use it to prevent odors when the refrigerator is stored for an extended period of time.

To operate the storage latch (see Art00991), open each door about 1/2 inch and push the storage latch [55] into the cutout [56] of the strike plate. Do not use the storage latch as a travel latch because the doors will not be fully closed.



Art00991

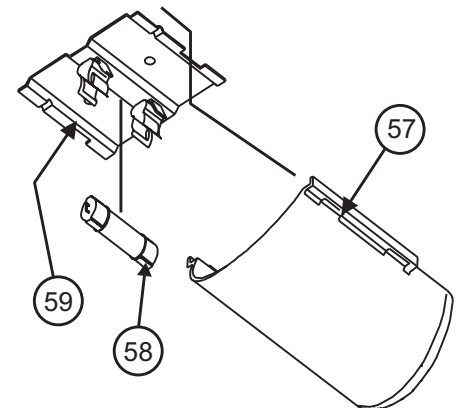
Interior light:

The interior light is at the top of the fresh food compartment. It comes on when the refrigerator is ON and the door is open. To replace the bulb:

1. Remove the DC power supply wires from the power board at the rear of the refrigerator.
2. To remove the cover [57], push it toward the rear of the refrigerator (See Art00988).
3. Remove the light bulb [58] from the holder [59].

NOTICE Use only a GE#214-2 bulb as the replacement bulb. This bulb is available at most retail automotive parts centers.

4. Install the replacement bulb.
5. Install the cover.
6. Connect the DC power supply wires to the power board at the rear of the refrigerator.



Art00988

Moisture reduction heater:

The refrigerator has a heater that prevents moisture from forming on the center divider between the doors of the freezer and the fresh food compartment. The heater operates only when the refrigerator is ON.

Temperature control system:

Although the refrigerator is not frost-free, it is made to limit frost on the cooling fins. At regular intervals, the temperature control system automatically melts most of the frost from the cooling fins. The water from the cooling fins drains into a collection cup that is attached to the back of the refrigerator. The heat of the cooling system evaporates the water from the collection cup.

Backup operating system:

This refrigerator has a backup operating system. The backup operating system allows the refrigerator to continue to cool if the temperature sensor of the refrigerator should fail.

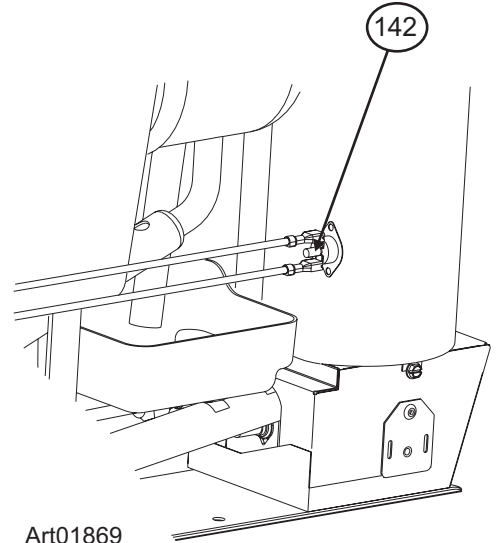
If this failure occurs:

- The refrigerator automatically changes to the backup operating system.
 - The ON light flashes a fault code. See the “Fault Codes” section of this manual.
 - The backup operating system can overfreeze or thaw the contents of the freezer and the fresh food compartment.
- Make sure the temperatures of the freezer and the fresh food compartment are satisfactory.

NOTICE

If you open the door(s) too often, the temperatures inside the freezer and fresh food compartment do not become stable. Allow the refrigerator to operate for about one hour after each adjustment change before you examine the contents. The number “5” is the coldest temperature setting.

- If the temperature is too warm, push the temperature switch to the right to raise the temperature setting by one number.
- If the temperature is too cold, push the temperature switch to the left to lower the temperature setting by one number.
- Have the refrigerator serviced by your dealer or an Norcold authorized Service Center as soon as possible.



Temperature switch monitor:

The refrigerator is equipped with a temperature switch [142] for overheating protection (See Art01869). A Norcold authorized service technician can determine if this switch has been triggered.

Art01869

Operating the Refrigerator Controls

Control panel:

The refrigerator control panel (see Art01838) is between the freezer compartment and the fresh food compartment. A 12 volt DC power supply is necessary for the control functions of the refrigerator to operate. The refrigerator receives DC power from the 12 volt system of the vehicle; either an auxiliary battery, a converter, or the vehicle engine battery.

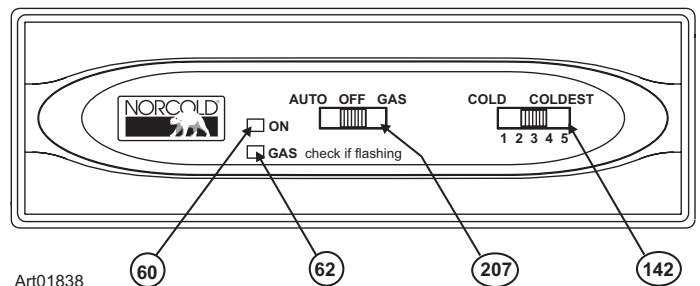
The selector switch [207] starts and shuts down the refrigerator:

- Push the selector switch to the AUTO position to start the refrigerator in auto mode.
- Push the selector switch to the GAS position to start the refrigerator on propane gas.

The temperature switch [142] controls the temperature adjustment of the freezer and the fresh food compartment. The temperature adjustment that you select does not change if the mode of operation of the refrigerator changes.

- Push the temperature switch to the desired temperature setting.
- The number “5” is the coldest temperature setting.

Refer to the “Display Codes” section of this manual.



Art01838

Automatic mode operation:

When the refrigerator is in AUTO mode, it automatically uses the most efficient energy source that is available for operation. During operation, if a more efficient energy source becomes available, the refrigerator controls change from the current energy source to the more efficient energy source as follows:

- The first choice is AC operation if 120 volts AC is available to the refrigerator.
- The second choice is propane gas operation if 120 volts AC is not available to the refrigerator.

Removing air from the propane gas supply lines:

For safety reasons, the burner is made to ignite on propane gas within a specified amount of time. When starting the refrigerator for the first time, after storage, or after replacing propane gas tank, the propane gas supply lines can have air in them. Due to the air in the gas supply lines, the refrigerator may not ignite on propane gas within the specified amount of time.

To remove the air from the propane gas supply lines:

- Make sure that all of the gas valves are open.
- Push the selector switch to the GAS position and the refrigerator will start a 30 second trial for ignition.
 - During the 30 second trial for ignition, the refrigerator controls open the gas safety valve and the igniter sparks.
 - During the 30 second trial for ignition, both the ON and the GAS light show.
- If the ON light [60] and the GAS light [62] both show after 30 seconds, it means that the refrigerator is operating on propane gas.
 - At this time, all of the air is removed from the propane gas supply lines and you may select AUTO mode of operation if you wish.
- If the air in the propane gas supply lines prevents the burner from igniting on propane gas after 30 seconds the refrigerator controls close the gas safety valve and the igniter stops sparking.
 - Both the ON light and the GAS light flash about once every second.
 - Push the selector switch to the OFF position and then to the GAS position and the refrigerator will start a 30 second trial for ignition.
- Depending on how much air may be in the propane gas supply lines, you may need to repeat the 30 second trial for ignition two or three times.
- If the burner does not ignite on propane gas after two or three attempts, stop and consult your local dealer or an authorized Norcold Service Center.

Set the controls to automatic mode operation:

Push the selector switch to the AUTO position.

- If 120 volts AC is available to the refrigerator, the ON light [3] shows.
 - This means that the refrigerator is operating on AC electric.
- If 120 volts AC is not available to the refrigerator, the ON light and the GAS light both show.
 - This means that the refrigerator is operating on propane gas.

If the energy source is interrupted:

- The refrigerator shows a fault code.
- Refer to the "Fault Codes" section of this manual.

Set the controls to manual mode operation:

- Push the selector switch to the GAS position.
- When the ON light and the GAS light both show, this means that the refrigerator is operating on propane gas.

If the energy source is interrupted:

- The refrigerator shows a fault code.
- Refer to the "Fault Codes" section of this manual.

Effects of High Altitude on Propane Gas Operation

When you operate the refrigerator on propane gas at altitudes higher than 5500 feet above sea level:

- You may experience reduced cooling performance of the refrigerator.
- You may experience burner outages.

To avoid these possible problems, Norcold recommends that you operate the refrigerator on AC when at altitudes higher than 5500 feet above sea level.

Effects of Freezing Temperatures on Refrigerator Operation

A gas absorption refrigerator is not designed to operate in freezing temperatures. If the refrigerator is not equipped for low temperature operation, and if the cooling system of the refrigerator is exposed to temperatures of 32° F. or lower for an extended period of time, the refrigerator operation may be disrupted. The refrigerator operation will resume when the cooling system of the refrigerator warms sufficiently.

If the refrigerator is equipped for low temperature operation, the refrigerator will operate in temperatures down to 0° F.

Disrupted operation of the refrigerator, due to extended exposure to temperatures of 32° F. or lower, and any costs incurred to warm the cooling system of the refrigerator are not covered by the Norcold limited warranty. Please contact your local RV dealer for information about how to resume refrigerator operation or about how to equip your refrigerator for operation in freezing temperatures.

Do not change the installation or the venting of your refrigerator. Refrigerator failures, which are the result of changes to either the refrigerator installation or to the venting, are not covered by the Norcold limited warranty.

Refrigerator Care Checklist

Your refrigerator will give you years of trouble free service if you do these simple checks every three to six months:

- Keep the food compartment and the freezer clean. See "Cleaning".
- Defrost the refrigerator as necessary. See "Defrosting".
- Make sure the door seals correctly. See "Door Sealing".
- Be aware of any cooling changes that are not because of weather, loading, or gas control changes. If changes occur, contact your dealer or service center.
- Make sure the gas supply is propane gas only and not butane or a butane mixture.

- When in propane gas operation, examine the appearance of the flame. See "Gas Flame Appearance".
- Make sure the air flow in the lower intake vent, through the refrigerator coils and condenser, and out the upper exhaust vent is not blocked or decreased.
- Make sure the area behind the refrigerator is clear. Do not use the area behind the refrigerator for storage of anything, especially gasoline and other flammable vapors and liquids.

Defrosting

The cooling fins of the refrigerator operate at below freezing temperature and will naturally form frost from humidity, which is always present in the air. The humidity inside the refrigerator increases:

- with higher outside temperature and humidity.
- with the storage of non-sealed fresh foods or warm foods.
- with the amount of time that the door(s) are open.
- with any air leakage into the refrigerator.

Although the refrigerator is not frost-free, it is made to limit frost on the cooling fins. At regular intervals, the temperature control system automatically melts most of the frost from the cooling fins. The water from the cooling fins drains into a collection cup that is attached to the back of the refrigerator. The heat of the cooling system evaporates the water from the collection cup.

It is normal for frost to collect inside the freezer. Excess frost decreases the cooling performance of the refrigerator. Defrost the refrigerator and freezer as necessary:

- Remove all food from the refrigerator.
- Turn the refrigerator OFF.

NOTICE

Defrosting the refrigerator makes excess water inside the refrigerator.

- Remove the drain hose from the drip cup at the rear of the refrigerator.
- Put the drain hose into a half-gallon or larger container to capture water.
- Put dry towels (etc.) inside the refrigerator and freezer to absorb melted frost.



High temperatures can cause the inside surfaces of the refrigerator to warp or melt. Do not use pans of HOT water, a hair dryer, or any other high temperature devices to defrost the refrigerator. Do not use any hard or sharp objects to remove frost. Damage to the interior of the refrigerator can occur.

- To increase the speed of defrosting, put pans of WARM water in the refrigerator and freezer.
- Remove the wet towels (etc.) and dry the interior.
- Remove the drain hose from the large container and put the drain hose back into the drip cup.
- Remove the large container from the enclosure.
- Start up the refrigerator.
- Allow the refrigerator to cool down.
- Return all food to the refrigerator.

Cleaning

A good time to clean the refrigerator is just after you defrost it. Clean the inside of the refrigerator as often as necessary to avoid food odors:

- Remove all food from the refrigerator.

NOTICE Do not use abrasive cleaners, chemicals, or scouring pads because they can damage the interior of the refrigerator.

- Wash the interior with a mild cleaner or a solution of liquid dish detergent and warm water.
- Rinse with a solution of baking soda and clean water.
- Dry with clean cloth.
- Put all food in the refrigerator.

Drip tray:

To remove and clean the drip tray:

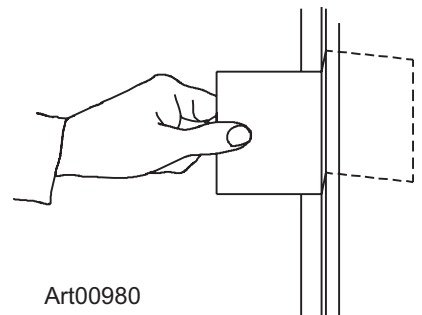
- Pull the shelf forward to remove from the refrigerator
- Make sure that the drip tray is empty of water.
- Pull the drip tray out of the drain hose.
- Pull the drip tray forward to remove from the slots in the refrigerator cabinet.
- Clean the drip tray.
- Push the drip tray back into the slots in the refrigerator cabinet.
- Push the drip tray back into the drain hose.
- Put the wire shelf back in the original position.

Door Sealing

Check the seal of the doors.

If either door does not seal correctly, excess frost will collect inside the refrigerator. Make sure the doors seal correctly (See Art00980):

- Close each door on a piece of paper that is about the size and thickness of a dollar bill.
- Gently pull the paper.
 - You should feel a slight drag between the gasket and the cabinet.
 - Do this on all four sides of the door.
 - If you do not feel a slight drag on the paper, the door does not seal correctly.
 - Have your dealer or an authorized Norcold Service Center correct the seal of the door.



Refrigerator Maintenance Checklist

Read and understand the following maintenance sections of this manual.

NOTICE

Norcold is not responsible for installation, adjustment, alteration, service, or maintenance performed by anyone other than a qualified RV dealer or a Norcold authorized service center.

Have a qualified RV dealer or a Norcold authorized service center do these annual safety and maintenance checks:

- Examine the gas supply lines for leaks.
 - Replace or repair if needed.
- Make sure the propane gas pressure is 11 inches of water column.
 - Adjust if needed.
- Make sure the combustion seal is complete and intact.
 - Replace or repair it if needed.
- Make sure the burner and the burner orifice are clean.
 - Clean if needed.
- Make sure the electrode spark gap is 1/8 - 3/16 inch.
 - Adjust if needed.
- Make sure the AC voltage is 108 - 132 volts and the DC voltage is 10.5 - 15.4 volts.
- Make sure the thermocouple tip is clean and secure.
- Make sure the area at the rear of the refrigerator is free of any combustible materials, gasoline, and other flammable vapors and liquids.

Refrigerator Storage

Before the refrigerator is stored for an extended (seasonal) period of time:

- Defrost and clean the interior of the refrigerator.
- Close the doors with the storage latch.

If the refrigerator is stored for an extended period of time, before start up:

- Make sure there are no obstructions in the vents, the ventilation air pathway, the burner, the orifice, or the flue area.

Refrigerator Maintenance

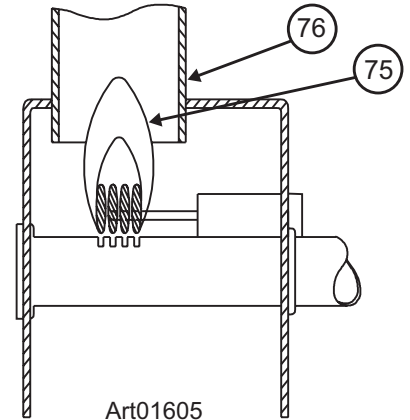
Gas flame appearance:

While in GAS operation, examine the appearance of the gas flame:

- Turn the temperature switch to the COLDEST position.
- Open the lower intake vent.

CAUTION The burner box cover can be hot. Wear gloves to avoid burns.

- Remove the burner box cover by removing the screw.
- Look at the gas flame [75] (See Art01605).
 - The flame should be:
 - a darker blue color on the inside of the flame and a lighter blue color on the outside of the flame.
 - a constant shape without flickering.
 - Contact your dealer or Norcold authorized service center if the flame is:
 - yellow
 - flickering or changing shape.
 - Make sure the flame does not touch the inside of the flue tube [76].
 - If the flame touches the inside of the flue tube, contact your dealer or Norcold authorized service center.
- Close the burner box door.



Remove and clean the burner orifice:

Your dealer or Norcold authorized service center must do this procedure.

Remove and clean the burner orifice (See Art00956):

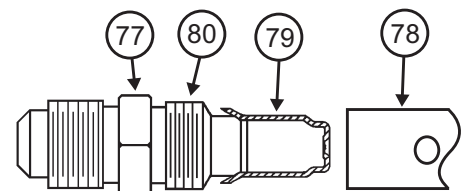
- Close the valve at the propane gas tank(s).
- Push the selector switch to the OFF position to shut down the refrigerator.

CAUTION The burner box cover can be hot. Wear gloves to avoid burns.

- Open the lower intake vent.
- Remove the drip cup by removing the screw.
- Remove the burner box cover by removing the screw.

WARNING To avoid possible propane gas leaks, always use two wrenches to loosen and tighten the gas supply line connections.

- Remove the flare nut from the orifice assembly [77] (See Art00956).
- Remove the burner [78] from the orifice assembly.





Do not try to remove the orifice [79] from the orifice adapter [80] when cleaning. Removal will damage the orifice and seal of the orifice and can cause a propane gas leak. Leaking propane gas can ignite or explode which can result in dangerous personal injury or death. Do not clean the orifice with a pin or other objects.

- Clean the orifice assembly with air pressure and alcohol only.
- Using a wrench, assemble the orifice assembly to the burner.
- Assemble the flare nut to the orifice assembly.
- Examine all of the connections for gas leaks.
- Clean the burner box.
- Assemble the burner box cover.
- Assemble the drip cup.

Remove the Refrigerator

Your dealer or Norcold authorized service center must do this procedure.



The rear of the refrigerator has sharp edges and corners. To prevent cuts or abrasions when working on the refrigerator, be careful and wear cut resistant gloves.

1. Close the valve at the propane gas tank(s).



To avoid possible propane gas leaks, always use two wrenches to loosen and tighten the gas supply line connections.

2. Remove the AC power cord(s) from the receptacle.
3. Remove the DC wiring from the refrigerator:
 - Put a mark on the DC wires so you can put them back in the correct location.
 - Remove the DC fuse or remove the DC wiring from the battery or the converter.
 - Remove the DC wires from the refrigerator.
4. Open the lower intake vent and remove the gas supply line from the bulkhead fitting of the refrigerator.
5. Remove the plastic plugs from the mounting flanges of the refrigerator.
6. Remove the screws from the mounting flange at the rear of the refrigerator.
7. Remove the screws from the upper and lower mounting flanges on the front of the refrigerator.
8. Remove the refrigerator from the opening.

Reinstall the Refrigerator

Your dealer or Norcold authorized service center must do this procedure.



Make sure the combustion seal is not broken, is completely around the refrigerator mounting flanges, and is between the mounting flanges and the wall of the enclosure. If the combustion seal is not complete, exhaust fumes can be present in the living area of the vehicle. The breathing of exhaust fumes can cause dizziness, nausea, and in extreme cases, death.

1. Push the refrigerator completely into the enclosure.
2. Install the screws in the upper and then the lower mounting flanges on the front of the refrigerator.
3. Install the screws in the mounting flange at the rear of the refrigerator.
4. Put the plastic plugs into the mounting flanges of the refrigerator.



To avoid possible propane gas leaks, always use two wrenches to loosen and tighten the gas supply line connections.

5. Attach the gas supply line to the bulkhead fitting of the refrigerator.
6. Open the valve at the propane gas tank(s).



Do not allow the leak checking solution to touch the electrical components. Many liquids are electrically conductive and can cause electrical shorts and in some cases, fire.

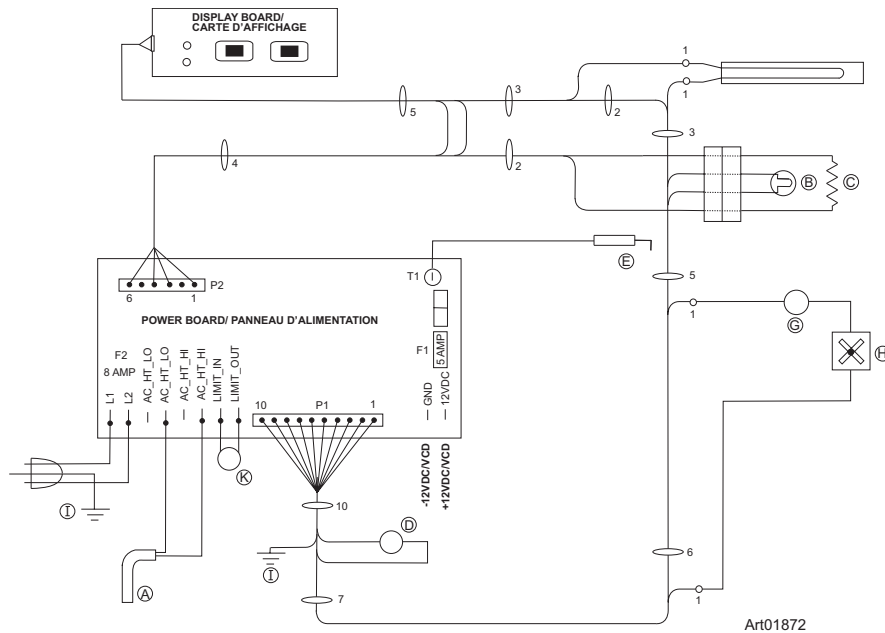
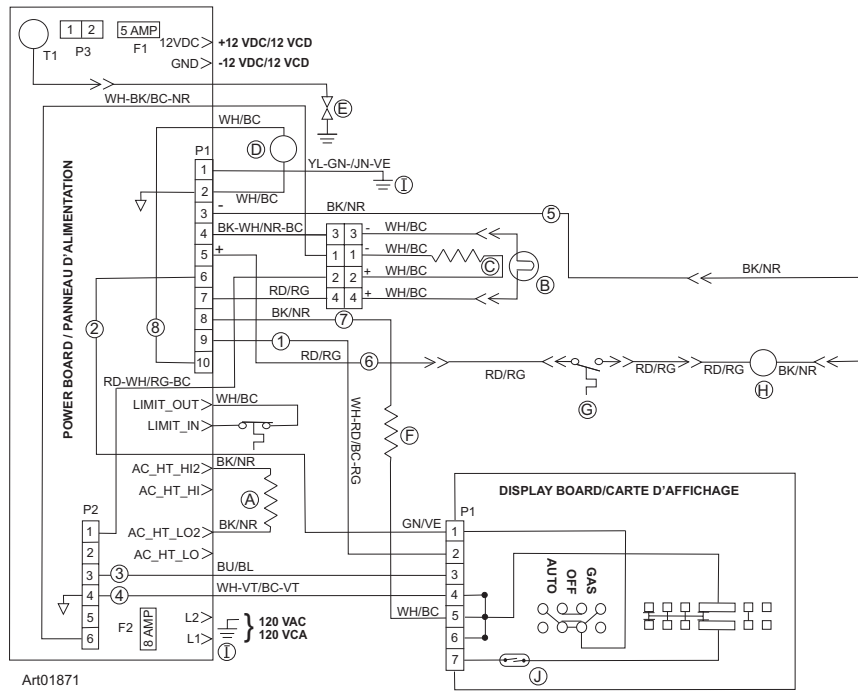
7. Examine the gas supply line for leaks.
8. Connect the DC wiring to the refrigerator:
 - Connect the DC wires to the refrigerator.
 - Install the DC fuse or connect the DC wiring to the battery or the converter.
9. Connect the black AC power cord to the receptacle.

Wiring Diagram and Pictorial

The parts in the wiring diagram are (See Art01871):

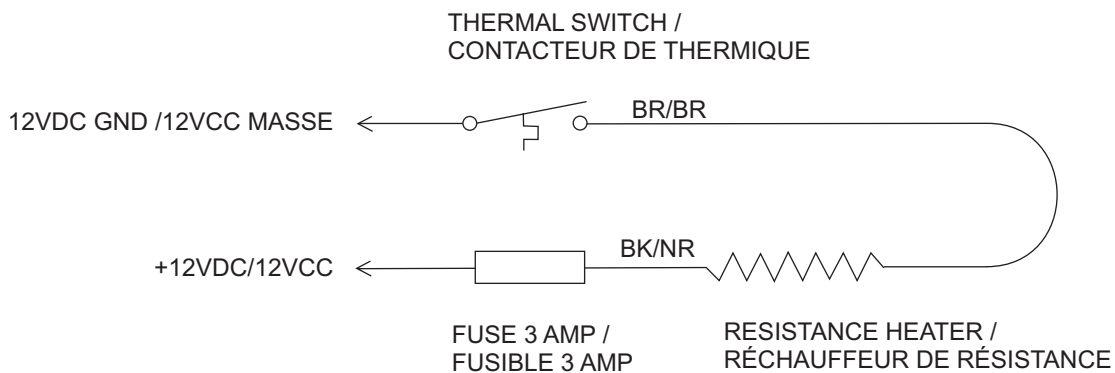
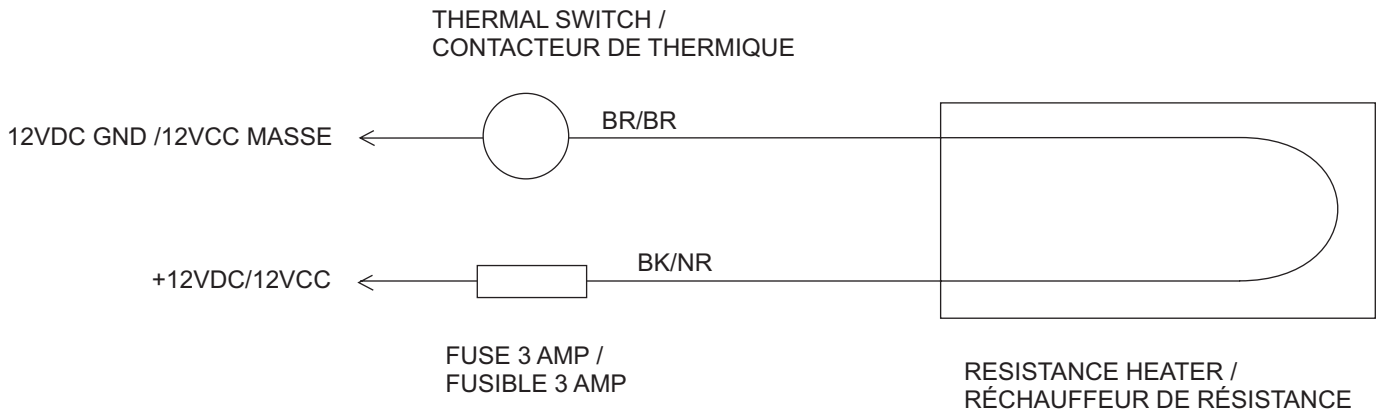
The parts in the wiring pictorial are (See Art01872):

AC heater	A
Light.....	B
Thermister	C
Gas valve.....	D
Igniter.....	E
Divider heater	F
Temperature switch (optional)	G
Fan (optional)	H
Chassis ground.....	I
Door switch.....	J
Temperature switch	K
Switched 12 VDC	1
Fused continuous 12VDC.....	2
Communications.....	3
Display ground.....	4
Auxiliary ground (optional).....	5
Auxiliary +12 VDC (optional)	6
Divider +12 VDC.....	7
Gas valve +12 VDC.....	8
5 A Fuse DC	F1
8A Fuse AC.....	F2



Note: If any of the original wire as supplied with the refrigerator shall be replaced, it shall be replaced with the original type wire or its equivalent.

Wiring Diagram and Pictorial - Low Ambient Heater (optional)



Art02312

NOTICE

This kit supplies DC voltage to the heater any time the ambient temperature is low enough. Extended storage during cold weather will drain the vehicle batteries. To prevent battery drain, remove the 3 amp fuse from the low ambient heater.

Replacement Parts

You may purchase replacement parts through your local RV dealer or authorized Norcold Service Center.

Display Codes

Light and Status	Meaning
ON light is on. GAS light is off.	The refrigerator is operating on AC.
ON light is on. GAS light is on.	The refrigerator is operating on propane gas.

Fault Codes

Light and Status	Meaning	Corrective Actions
ON light is off.	DC voltage is unavailable to the refrigerator control panel or the refrigerator is OFF.	Check: <ul style="list-style-type: none"> - That the refrigerator is ON. - That the battery charging equipment of the vehicle is operational. - That the AC/DC converter is operational (if applicable). - See your dealer or authorized Norcold Service Center.
ON light and GAS light both flash about once per second.	No energy source is available. AC voltage is not available (or the refrigerator is in Manual GAS mode), and the burner did not ignite or re-ignite.	If in AUTO mode, check: <ul style="list-style-type: none"> - That the refrigerator is plugged into a servicable outlet. - That the fuse or circuit breaker of the vehicle is intact. - That the vehicle generator is operational (if applicable). In any mode, check: <ul style="list-style-type: none"> - That there is not air in the propane gas supply line. See "Removing air from the propane gas supply lines" section of this manual. - That the valve of the propane gas tank(s) is open. - That the propane gas is at the correct pressure. - That the manual shut off valve of the refrigerator is open. - Reset the refrigerator by turning it OFF and then back to AUTO or GAS mode. - See your dealer or authorized Norcold Service Center.
ON light is on. GAS light flashes about once per second.	The burner did not ignite or re-ignite. The refrigerator is in "gas lock-out", but AC voltage has returned and the refrigerator is operating on AC.	Check: <ul style="list-style-type: none"> - That there is not air in the propane gas supply line. See "Removing air from the propane gas supply lines" section of this manual. - That the valve of the propane gas tank(s) is open. - That the propane gas is at the correct pressure. - That the manual shut off valve of the refrigerator is open. - Reset the refrigerator by turning it OFF and then back to AUTO or GAS mode. - See your dealer or authorized Norcold Service Center.
ON light is on, but flashes off 1 time about every 3 seconds.	The temperature sensor failed. The refrigerator is operating on the "Back-Up Operating System".	This is not owner serviceable. See your dealer or authorized Norcold Service Center.
ON light is on, but flashes off 3 times about every 3 seconds. GAS light is on.	The AC heater failed. The refrigerator will operate on propane gas only.	This is not owner serviceable. See your dealer or authorized Norcold Service Center.
ON light is on, but flashes off 4 times about every 3 seconds.	This is a fault within the refrigerator operating controls.	This is not owner serviceable. See your dealer or authorized Norcold Service Center.



Réfrigérateurs pour véhicules de plaisance N61X
Réfrigérateurs pour véhicules de plaisance N81X

- 6 pi3, à double alimentation
- 8 pi3, à double alimentation

La lettre « X », dans les numéros de modèle ci-dessus, représente une lettre ou un chiffre correspondant à une option de réfrigérateur.



AVERTISSEMENT

RISQUE D'INCENDIE OU D'EXPLOSION

Si vous sentez une odeur de gaz :

1. Ouvrez Windows
2. N'essayez pas d'allumer des appareils et assurez-vous que l'appareil est en position d'arrêt.
3. Éteignez toute flamme nue
4. Ne touchez pas les interrupteurs électriques.
5. N'utilisez pas d'appareils électroniques tels que des téléphones portables ou des téléphones fixes.
6. Évacuer le bâtiment ou le véhicule récréatif
7. Coupez l'alimentation en carburant au réservoir de GPL.
8. Appelez les services d'urgence.

Le non-respect de ces instructions pourrait provoquer un incendie ou une explosion, ce qui pourrait causer des dommages matériels, des blessures corporelles ou la mort.



AVERTISSEMENT

Une faute d'installation, de réglage, de modification, de réparation ou d'entretien peut causer des préjudices corporels ou matériels. Se reporter à ce manuel. Pour obtenir de l'assistance ou des informations supplémentaires, s'adresser à un installateur qualifié, au service après-vente ou à la compagnie de gaz.

SÉCURITÉ PERSONNELLE

Ne pas conserver ni utiliser d'essence ou d'autres liquides inflammables, ou dont les vapeurs peuvent s'enflammer, à proximité de cet appareil ou de tout autre appareil électroménager.



AVERTISSEMENT

L'EMPOISONNEMENT AU MONOXYDE DE CARBONE PEUT CAUSER LA MORT OU DES BLESSURES.

Lorsqu'il est utilisé sans air de combustion et de ventilation adéquats, le réfrigérateur peut dégager un excès de MONOXYDE DE CARBONE et un gaz toxique inodore. Il s'agit d'un appareil à gaz non ventilé. Le réfrigérateur utilise l'air (oxygène) de la zone dans laquelle le réfrigérateur est utilisé. Un air de combustion et de ventilation adéquat doit être fourni,

Table des matières

Pour s'informer des conditions de garantie, se reporter à la page de l'énoncé de garantie qui se trouve dans la documentation relative au produit.

Sens de la prudence.....	2
Consignes de sécurité.....	3
Votre réfrigérateur.....	3
Capacité.....	3
Mise à niveau.....	3
Utilisation pendant le déplacement du véhicule.....	4
Compartiment de conservation des denrées fraîches.....	4
Compartiment basse température.....	4
Bac(s) à légumes.....	4
Casiers de porte.....	4
Clayettes réglables.....	4
Poignées de porte.....	5
Éclairage intérieur.....	5
Système de réduction de l'humidité.....	5
Système de régulation de température.....	5
Système de secours.....	6
Dispositif de surveillance de l'interrupteur de température.....	6
Commandes du réfrigérateur.....	6
Panneau de commande.....	6
Fonctionnement en mode automatique.....	7
Purge de l'air des canalisations d'alimentation en gaz propane.....	7
Allumage en mode automatique.....	7
Allumage en mode manuel.....	8
Effets de l'altitude sur le fonctionnement au gaz propane.....	8
Effets des températures de congélation sur le fonctionnement du réfrigérateur.....	8
Liste des opérations d'entretien courant.....	8
Dégivrage.....	9
Nettoyage.....	10
Plateau de dégivrage.....	10
Étanchéité des portes.....	10
Liste des opérations d'entretien.....	11
Période d'arrêt prolongé du réfrigérateur.....	11
Entretien du réfrigérateur.....	12
Aspect de la flamme.....	12
Dépose et nettoyage de l'orifice du brûleur.....	12
Enlèvement du réfrigérateur.....	13
Remontage du réfrigérateur.....	14
Schéma de câblage et schéma électrique.....	14
Schéma de câblage et schéma électrique - chauffage à basse température ambiante (option).....	16
Pièces de rechange.....	16
Codes d'affichage.....	16
Codes de défaillance.....	17

Sens de la prudence

Lire attentivement ce manuel et bien comprendre les instructions avant d'installer le réfrigérateur.

Être conscient des risques possibles d'accident lorsque le symbole d'alerte apparaît sur le manuel ou est placé sur le réfrigérateur. Un mot suit le symbole et identifie le type de risque. Lire attentivement la définition de ces risques pour bien les comprendre. Ces symboles ont été placés pour des raisons de sécurité.



Ce mot signifie, que si le risque est ignoré, il existe une possibilité de blessure grave, voire de mort ou de dégâts matériels importants.



Ce mot signifie, que si le risque est ignoré, il existe une possibilité de blessure légère ou de dégâts matériels.

Consignes de sécurité

AVERTISSEMENT

- L'entreposage de produits inflammables derrière ou autour du réfrigérateur crée un risque d'incendie. Ne pas utiliser l'espace à l'arrière du réfrigérateur pour entreposer quoi que ce soit, et, en particulier, des produits inflammables (essence, produits nettoyants, etc.).
- Ne pas enlever la broche ronde de mise à la terre du cordon d'alimentation C.A. du réfrigérateur. Ne pas utiliser d'adaptateur à deux broches ni de rallonge électrique avec le cordon d'alimentation C.A.
- Une surcharge de circuit peut déclencher un feu électrique si les fils et/ou fusibles ne sont pas du calibre approprié. N'utiliser que des fils et des fusibles de calibres indiqués dans le manuel d'installation.
- Une installation incorrecte, un mauvais réglage, la modification ou un entretien défectueux du réfrigérateur peuvent être cause de blessures graves, de dégâts matériels ou des décès. Faire faire tous les travaux d'entretien courant et d'entretien par le concessionnaire ou par un Centre d'entretien autorisé Norcold.
- Couper l'alimentation en courant alternatif et en courant continu avant toute opération d'entretien sur le réfrigérateur. Toutes les interventions sur le réfrigérateur doivent être effectuées par un technicien d'entretien qualifié.
- Ne pas remplacer les composants électriques ni modifier les caractéristiques de l'appareil et ne pas effectuer de dérivation.
- Lorsqu'un appareil ménager est mis au rebut, démonter toutes les portes pour éviter tout risque d'accident et de suffocation.
- Ne pas pulvériser de liquides près des prises électriques, raccords, ou près des éléments constitutifs du réfrigérateur. Beaucoup de liquides sont conducteurs et peuvent causer un choc électrique, des courts-circuits, et éventuellement provoquer un incendie.
- Le système de refroidissement du réfrigérateur est sous pression. Ne pas tenter de réparer ou de recharger un système de refroidissement défectueux. Le système contient du chromate de sodium. L'inhalation de certains composés de chrome peut être cause de cancer. Le produit du système de refroidissement peut causer des brûlures sévères des yeux et de la peau et il s'enflamme et brûle avec une flamme intense. Ne pas tordre, laisser tomber, souder, percer, déplacer, fissurer ni faire d'impact sur le système de refroidissement.
- À intervalles réguliers, vérifier que le conduit de fumée du réfrigérateur, le brûleur, les orifices de mise à l'air libre et le passage d'air de ventilation ne sont pas obstrués et qu'aucun produit inflammable ne se trouve à proximité. Après une période de stockage, il est très important de vérifier ces endroits afin de s'assurer que les animaux n'ont pas laissé de résidus inflammables ou qui peuvent obstruer les éléments en question.

ATTENTION

- L'arrière du réfrigérateur comporte des angles et des bords effilés. Pour éviter les coupures et l'érosion de la peau lors des travaux sur le réfrigérateur, être très attentif, et porter des gants résistant aux coupures.

Votre réfrigérateur

Capacité :

Ce réfrigérateur a été conçu pour conserver des denrées fraîches et des surgelés.

Capacité totale	Modèles N61X	Modèles N81X
	6,3 pieds cubiques	7,5 pieds cubiques

Mise à niveau :

AVERTISSEMENT

Cet appareil a été conçu pour fonctionner avec une dénivellation maximale de 3° d'un côté à l'autre et une dénivellation maximale de 6° d'avant en arrière (lorsqu'on regarde l'avant du réfrigérateur). Des dénivellations plus importantes peuvent endommager le système de réfrigération et entraîner un risque de blessures ou de dégâts matériels. S'assurer que le véhicule est de niveau avant d'utiliser le réfrigérateur.

Utilisation pendant le déplacement du véhicule :

Le réfrigérateur doit être de niveau lorsque le véhicule est à l'arrêt, mais la performance du réfrigérateur n'est normalement pas affectée lorsque le véhicule se déplace.

Compartiment de conservation des denrées fraîches

Mettre en route le réfrigérateur et laisser refroidir pendant huit heures avant d'entreposer des aliments. Si l'appareil ne produit pas de refroidissement après environ deux heures, entrer en rapport avec le concessionnaire ou un Centre d'entretien autorisé Norcold.

our obtenir le meilleur refroidissement possible :

- Assurer une bonne circulation de l'air dans tout le compartiment de conservation.
- Ne pas recouvrir les clayettes de plastique, papier, etc.

Pour diminuer la quantité de givre qui se forme sur les ailettes de refroidissement :

- Recouvrir tous les récipients contenant des liquides et des denrées humides.
- Laisser refroidir les aliments chauds avant de les mettre au réfrigérateur.
- Ne pas laisser la porte ouverte plus longtemps que nécessaire.

Compartiment basse température :

Le compartiment basse température sert à la conservation des surgelés, mais pas à congeler les aliments. Conserver les surgelés dans ce compartiment.

AVIS *Ne rien poser sur les bacs à glace pendant la formation des cubes de glace. L'eau se congèle plus rapidement si le thermostat est à la position correspondant à la température COLDEST.*

Bac(s) à légumes :

Le(s) bac(s) à légumes est (sont) situé(s) à la partie inférieure du compartiment de conservation des denrées fraîches et permettent de conserver la fraîcheur des fruits et légumes. S'assurer de bien pousser les bacs à fond.

AVIS *Ne pas nettoyer les bacs au lave-vaisselle, ils ne résistent pas au lave-vaisselle.*

Casiers de porte :

Les casiers de porte [52] du compartiment de conservation des denrées fraîches et du compartiment basse température peuvent être déplacés pour satisfaire les besoins de chaque utilisateur (se reporter à Art00989). Pour enlever un casier, le soulever au-dessus du repère de positionnement et le tirer vers l'avant. Le pousser en place dans les nouveaux repères de positionnement.

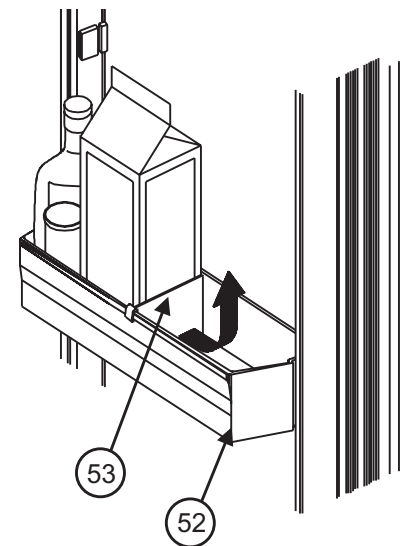
AVIS *Ne pas nettoyer les casiers ni les glissières de casier au lave-vaisselle, ils ne résistent pas au lave-vaisselle.*

Clayettes réglables :

Les clayettes du compartiment de conservation des denrées fraîches et du compartiment basse température sont amovibles et réglables en position.

Pour déposer ou déplacer la clayette du compartiment basse température :

- Sortir la clayette des encoches.
- La pousser en place dans les encoches à la position choisie.



Art00989

Pour déposer ou déplacer la clayette du compartiment de conservation des denrées fraîches.

- Enlever la vis de la pièce de retenue de chaque clayette à l'arrière du réfrigérateur.
- Sortir la clayette des encoches.
- La pousser en place dans les encoches à la position choisie.
- Fixer la pièce de retenue avec la vis.

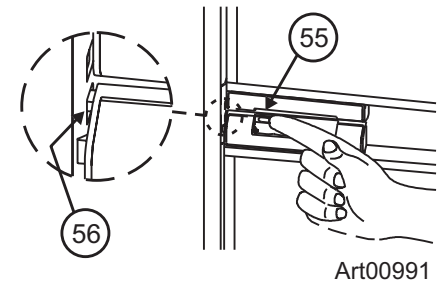
Poignées de porte :

Pendant le déplacement du véhicule, le dispositif de blocage d'ouverture de porte empêche l'ouverture de la porte. Pour fermer chaque porte, pousser la porte vers le réfrigérateur jusqu'à ce qu'on entende un "clic".

Pour ouvrir chaque porte, tirer sur la poignée.

Pendant le stockage, le dispositif de blocage d'ouverture de porte empêche la porte de se fermer complètement. Cela est très utile pour éviter les odeurs lorsque le réfrigérateur est arrêté pour une longue période.

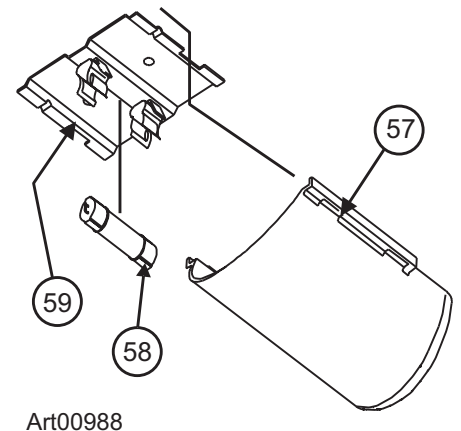
Pour utiliser le dispositif de blocage pendant le stockage (se reporter à Art00991) : Entrouvrir la porte d'environ ½ pouce pour que le verrou [55] se trouve dans l'ouverture [56] de la platine. Ne pas utiliser le dispositif de blocage pour le stockage comme verrou pendant le déplacement du véhicule parce que les portes ne seront pas complètement fermées.



Éclairage intérieur :

L'éclairage intérieur se trouve à la partie supérieure du compartiment de conservation des denrées fraîches. La lampe s'allume lorsque le réfrigérateur est en route et que la porte est ouverte. Pour remplacer l'ampoule :

1. Débrancher les fils d'alimentation en courant continu du panneau électrique situé à l'arrière du réfrigérateur.
2. Pour déposer le couvercle [57], le pousser vers l'arrière du réfrigérateur (se reporter à Art00988).
3. Enlever l'ampoule [58] de la douille [59].



AVIS *N'utiliser qu'une ampoule GE n°214-2 comme ampoule de remplacement. Ce modèle est disponible chez la plupart des revendeurs de pièces de rechange pour l'automobile.*

4. Monter l'ampoule de remplacement.
5. Remettre le couvercle en place.
6. Rebrancher les fils d'alimentation en courant continu au panneau électrique situé à l'arrière du réfrigérateur.

Système de réduction de l'humidité :

Le réfrigérateur est équipé d'un système de chauffage qui empêche la formation d'humidité sur la paroi centrale entre les portes du compartiment basse température et du compartiment de conservation des denrées fraîches. Ce système de chauffage ne fonctionne que lorsque le réfrigérateur est en route.

Système de régulation de la température :

Le réfrigérateur, bien qu'il ne soit pas du type sans givre, a été conçu pour limiter l'accumulation de givre sur les ailettes de refroidissement. Le système de régulation de la température fait fondre automatiquement à intervalles réguliers la plus grosse partie du givre accumulé sur les ailettes de refroidissement. L'eau ainsi formée s'écoule dans un bac de récupération fixé à l'arrière du réfrigérateur. La chaleur dégagée par le système de refroidissement évapore l'eau du bac de récupération.

Système de secours :

Ce réfrigérateur est équipé d'un système de secours. Ce système permet d'assurer le refroidissement en cas de défaillance de la sonde de température de l'appareil.

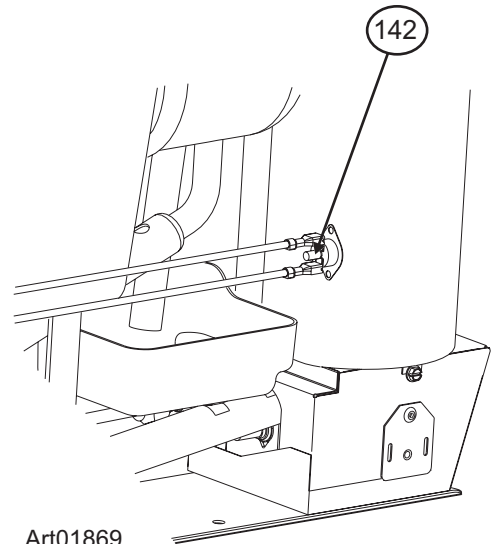
En cas de défaillance de la sonde de température :

- Le réfrigérateur sélectionne automatiquement le système de secours.
- Le voyant ON clignote et indique un code de défaillance. Se reporter à la section qui traite des codes de défaillance dans ce manuel.
- Le système de secours peut congeler ou décongeler les denrées se trouvant dans le compartiment basse température et le compartiment de conservation des denrées fraîches.
- S'assurer que la température dans les compartiments basse température et de conservation des denrées fraîches est satisfaisante.

AVIS

La température dans le compartiment basse température et celle dans le compartiment de conservation des denrées fraîches peuvent devenir instables lorsqu'on ouvre la porte trop souvent. Laisser le réfrigérateur fonctionner pendant environ une heure après chaque sélection de température avant d'examiner le contenu. Le numéro «5» correspond à la température la plus basse.

- Si la température est trop élevée, déplacer le sélecteur de température vers la droite pour passer au chiffre supérieur.
- Si la température est trop basse, déplacer le sélecteur de température vers la gauche pour passer au chiffre inférieur.
- Faire examiner le réfrigérateur par un Centre d'entretien Norcold ou par le concessionnaire dès que possible.



Dispositif de surveillance de l'interrupteur de température :

Le réfrigérateur est muni d'un interrupteur de température [142] pour la protection contre la surchauffe (voir Art01869). Un technicien d'entretien agréé Norcold peut déterminer si cet interrupteur s'est déclenché.

Commandes du réfrigérateur

Panneau de commande :

Le panneau de commande du réfrigérateur (se reporter à Art01838) se trouve entre le compartiment basse température et le compartiment de conservation des denrées fraîches. Les commandes fonctionnent sur courant continu 12 volts. L'alimentation 12 Vc.c. provient du véhicule, c'est à dire d'une batterie auxiliaire, d'un convertisseur ou de la batterie du moteur du véhicule.

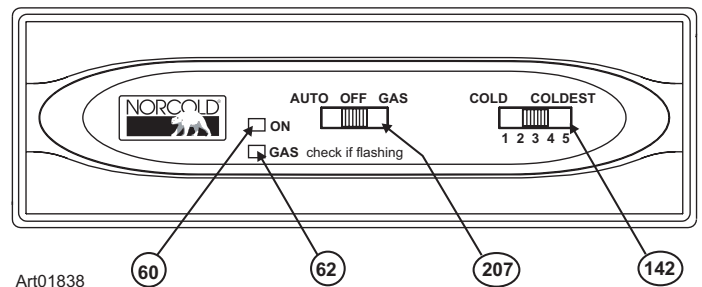
Le sélecteur [207] sert pour la mise en route et l'arrêt du réfrigérateur.

- Placer le sélecteur à la position AUTO pour mettre le réfrigérateur en route en mode automatique.
- Placer le sélecteur à la position GAS pour mettre le réfrigérateur en route en fonctionnement au gaz propane.

Le sélecteur de température [142] contrôle la température du compartiment basse température et du compartiment de conservation des denrées fraîches. Le réglage de température ne change pas lorsque le mode de fonctionnement du réfrigérateur change.

- Placer le sélecteur de température à la position désirée.
- Le numéro «5» correspond à la température la plus froide.

Se reporter à la section qui traite des codes d'affichage de ce manuel.



Fonctionnement en mode automatique :

Lorsque le réfrigérateur fonctionne en mode automatique, il sélectionne automatiquement la source d'énergie la plus efficace disponible. En cours d'utilisation, si une source d'énergie plus efficace devient disponible, les commandes du réfrigérateur passent de la source actuelle à la source plus efficace de la façon suivante :

- Le premier choix est fonctionnement sur courant alternatif si du 120 Vc.a. est disponible pour le réfrigérateur.
- Le deuxième choix est fonctionnement au gaz propane si du 120 Vc.a. n'est pas disponible pour le réfrigérateur.

Purge de l'air des canalisations d'alimentation en gaz propane :

Pour des raisons de sécurité, le brûleur est conçu pour enflammer le gaz dans un temps donné. À la mise en route initiale du réfrigérateur, après stockage, ou après remplacement du réservoir de gaz propane, les canalisations d'alimentation en gaz peuvent contenir de l'air. La présence d'air dans les canalisations peut empêcher l'allumage du gaz dans le temps spécifié.

Pour purger l'air des canalisations d'alimentation en gaz propane :

- S'assurer que tous les robinets sont ouverts.
- Placer le sélecteur à la position GAS, le réfrigérateur commence une séquence de 30 secondes pour l'allumage.
 - Durant cette séquence de 30 secondes, les commandes du réfrigérateur ouvrent la soupape de sûreté d'alimentation en gaz et l'allumeur produit des étincelles.
 - Les deux voyants, ON et GAS sont allumés pendant la séquence de 30 secondes.
- Si les voyants ON [60] et GAS [62] restent allumés après 30 secondes, cela veut dire que le réfrigérateur fonctionne au gaz propane.
 - Tout l'air contenu dans les canalisations d'alimentation en gaz est maintenant purgé et le mode AUTO peut être sélectionné si désiré.
- Si l'air emprisonné dans les canalisations d'alimentation en gaz interdit l'allumage du gaz dans les 30 secondes, les commandes du réfrigérateur ferment la soupape de sûreté et l'allumeur ne produit plus d'étincelles.
 - Les deux voyants ON et GAS clignotent à la fréquence d'une seconde environ.
 - Placer le sélecteur à la position OFF, puis à la position GAS et le réfrigérateur commencera une séquence de 30 secondes pour l'allumage.
- Il peut s'avérer nécessaire de recommencer la séquence de 30 secondes deux ou trois fois suivant la quantité d'air emprisonnée dans les canalisations d'alimentation en gaz.
- Si le brûleur n'enflamme pas le gaz propane après deux ou trois tentatives, ne pas insister et consulter le concessionnaire local ou un Centre d'entretien autorisé Norcold.

Allumage en mode automatique :

Placer le sélecteur à la position AUTO.

- Le voyant ON [3] s'allume si du 120 Vc.a. est disponible pour le réfrigérateur.
 - Cela veut dire que le réfrigérateur fonctionne sur courant alternatif.
- Les voyants ON et GAS sont allumés si du 120 Vc.a. n'est pas disponible pour le réfrigérateur.
 - Cela veut dire que le réfrigérateur fonctionne au gaz propane.

Si la source d'énergie est interrompue :

- Un code de défaillance s'affiche.
- Se reporter à la section «Codes de défaillance» de ce manuel.

Allumage en mode manuel :

- Placer le sélecteur à la position GAS.
- Lorsque les voyants ON et GAS sont allumés, cela veut dire que le réfrigérateur fonctionne au gaz propane.

Si la source d'énergie est interrompue :

- Un code de défaillance s'affiche.
- Se reporter à la section «Codes de défaillance» de ce manuel.

Effets de l'altitude sur le fonctionnement au gaz propane

Lorsque le réfrigérateur est utilisé en fonctionnement au gaz propane à une altitude supérieure à 5500 pieds au-dessus du niveau de la mer :

- La capacité de refroidissement du réfrigérateur peut se trouver affectée.
- Le brûleur peut s'éteindre.

Pour éviter ces problèmes potentiels, Norcold recommande de faire fonctionner le réfrigérateur sur courant alternatif à des altitudes supérieures à 5500 pieds au-dessus du niveau de la mer.

Effets des températures de congélation sur le fonctionnement du réfrigérateur

Les réfrigérateurs à absorption de gaz ne sont pas conçus pour fonctionner à des températures de congélation. Si le réfrigérateur n'est pas équipé pour fonctionner à basse température et que son système frigorifique est exposé à des températures inférieures ou égales à 32 °F pendant une période prolongée, son fonctionnement risque d'être perturbé. Son fonctionnement reprendra alors une fois son système frigorifique suffisamment réchauffé.

Si le réfrigérateur est équipé pour fonctionner à basse température, il peut fonctionner à des températures allant jusqu'à 0 °F.

Les perturbations du fonctionnement du réfrigérateur dues à une exposition prolongée à des températures inférieures ou égales à 32 °F et les coûts subis pour réchauffer le système frigorifique du réfrigérateur ne sont pas couverts par la garantie limitée Norcold. Veuillez vous adresser à votre concessionnaire local de véhicules de loisirs pour obtenir les renseignements nécessaires sur la reprise du fonctionnement du réfrigérateur ou sur la façon d'équiper votre réfrigérateur en vue de son fonctionnement à des températures de congélation.

Ne pas modifier l'installation ni la ventilation du réfrigérateur. Les pannes de réfrigérateur dues à des modifications apportées à l'installation ou à la ventilation du réfrigérateur ne sont pas couvertes par la garantie limitée de Norcold.

Liste des opérations d'entretien courant

Le réfrigérateur peut fonctionner pendant de nombreuses années sans aucun problème si les opérations simples suivantes sont effectuées tous les trois à six mois.

- Conserver le compartiment de conservation des denrées fraîches et le compartiment basse température en bon état de propreté. Se reporter à «Dégivrage et nettoyage».
- Dégivrer le réfrigérateur suivant besoin. Se reporter à «Dégivrage».
- S'assurer que l'étanchéité de la porte est satisfaisante. Se reporter à «Étanchéité de la porte».
- Surveiller les changements de qualité du refroidissement qui ne sont pas la conséquence des conditions météorologiques, du chargement ou du débit du gaz. Dans ce cas, entrer en rapport avec le concessionnaire ou avec un Centre d'entretien autorisé Norcold.
- S'assurer que le gaz utilisé est du propane et non du butane ou un mélange de butane.

- En fonctionnement au gaz propane, examiner l'aspect de la flamme. Se reporter à «Vérification de l'aspect de la flamme».
- S'assurer que la circulation de l'air de la prise d'air inférieure, autour du serpentin du réfrigérateur et du condenseur et par le dispositif d'évacuation supérieur n'est pas ralentie ni bloquée.
- S'assurer que l'espace à l'arrière du réfrigérateur n'est pas encombré. Ne pas utiliser l'espace à l'arrière du réfrigérateur pour entreposer des matériaux inflammables, en particulier de l'essence et d'autres liquides et vapeurs inflammables.

Dégivrage

Les ailettes de refroidissement du réfrigérateur fonctionnent à des températures de gel et il est normal qu'au contact de l'humidité de l'air elles se couvrent de givre. L'humidité à l'intérieur du réfrigérateur augmente :

- proportionnellement à la température et à l'humidité extérieures.
- lorsque des aliments frais non recouverts ou des aliments encore chauds sont placés dedans.
- d'autant plus que la ou les portes sont laissées longtemps ouvertes.
- si le réfrigérateur présente des fuites d'air.

Bien qu'il ne s'agisse pas d'un modèle sans givre, ce réfrigérateur est conçu pour limiter l'accumulation de givre sur les ailettes de refroidissement. À intervalles réguliers, le système de commande de température dégivre automatiquement les ailettes de refroidissement. L'eau qui en résulte tombe dans une cuve fixée au dos du réfrigérateur. L'eau de la cuve s'évapore ensuite sous l'effet de la chaleur du système frigorifique.

Il est normal que du givre s'accumule à l'intérieur du congélateur. Un réfrigérateur trop givré risque de ne pas donner d'aussi bons résultats. Dégivrer le réfrigérateur et le congélateur aussi souvent que nécessaire :

- Sortir tous les aliments du réfrigérateur.
- Éteindre le réfrigérateur.

AVIS

Le dégivrage rend beaucoup d'eau dans le réfrigérateur.

- Retirer le tuyau de vidange de la cuvette d'égouttage, à l'arrière du réfrigérateur.
- Placer le tuyau de vidange dans un récipient d'au moins un demi-gallon pour récupérer l'eau.
- Placer des serviettes sèches (etc.) à l'intérieur du réfrigérateur et du congélateur pour absorber le givre fondu.



Des températures élevées peuvent entraîner la distorsion ou la fonte des surfaces intérieures du réfrigérateur. Ne pas utiliser de récipients d'eau TRÈS CHAUDE, de sèche-cheveux ou d'autres dispositifs à haute température pour dégivrer le réfrigérateur. Ne pas employer d'objets durs ou tranchants pour enlever le givre. L'intérieur du réfrigérateur risquerait d'être endommagé.

- Pour obtenir un dégivrage plus rapide, placer des récipients d'eau CHAUDE dans le réfrigérateur et dans le congélateur.
- Enlever les serviettes humides (etc.) et sécher l'intérieur.
- Retirer le tuyau de vidange du grand récipient et le replacer dans la cuvette d'égouttage.
- Retirer le grand récipient de l'enceinte.
- Remettre le réfrigérateur en route.
- Laisser le réfrigérateur se refroidir.
- Remettre tous les aliments dans le réfrigérateur.

Nettoyage :

Il est recommandé de nettoyer le réfrigérateur après le dégivrage. Nettoyer l'intérieur du réfrigérateur aussi souvent que cela est nécessaire pour éviter les odeurs.

- Vider le réfrigérateur.



REMARQUE : Ne pas utiliser de produits de nettoyage abrasifs, de produits chimiques ni de tampons à recurer car ils peuvent endommager l'intérieur du réfrigérateur.

- Nettoyer l'intérieur avec une solution d'eau tiède et de détergent liquide pour vaisselle.
- Rincer avec une solution d'eau claire et de bicarbonate de soude.
- Sécher avec un chiffon propre.
- Remplir le réfrigérateur.

Plateau de dégivrage :

Pour retirer le plateau de dégivrage et pour le nettoyer, procéder comme suit :

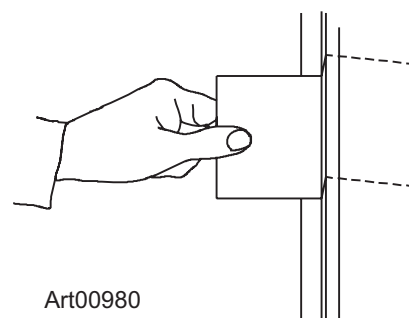
- Tirer sur la clayette pour la sortir du réfrigérateur.
- S'assurer que le plateau de dégivrage ne contient plus d'eau.
- Retirer le plateau de dégivrage du tuyau de vidange.
- Tirer sur le plateau de dégivrage pour le sortir des fentes de la caisse du réfrigérateur.
- Nettoyer le plateau de dégivrage.
- Pousser le plateau de dégivrage pour le remettre en place dans les fentes de la caisse du réfrigérateur.
- Pousser le plateau de dégivrage en place dans le tuyau de vidange.
- Remettre la clayette métallique en place dans sa position d'origine.

Étanchéité des portes :

Vérifier l'étanchéité des portes.

L'intérieur du réfrigérateur peut givrer lorsque l'étanchéité de l'une ou l'autre porte n'est pas satisfaisante. S'assurer que les portes ferment correctement (se reporter à Art00980) :

- Placer un morceau de papier de la taille et de l'épaisseur d'un billet de banque entre le réfrigérateur et la porte, puis fermer la porte, et ce, pour les deux portes.
- Tirer doucement le morceau de papier.
 - Il doit se produire une légère résistance entre l'armoire du réfrigérateur et le joint de porte.
 - Répéter l'opération des quatre côtés de la porte.
 - Si le morceau de papier sort sans résistance, c'est que l'étanchéité n'est pas bonne.
 - Consulter le concessionnaire ou un Centre d'entretien autorisé Norcold pour corriger l'étanchéité de la porte.



Art00980

Liste des opérations d'entretien

Il est important de lire attentivement et de bien comprendre cette partie du manuel qui traite de l'entretien.



Norcold ne saurait être tenu pour responsable de l'installation, de la modification, de l'entretien et de l'entretien courant effectués par quiconque qui ne serait pas un concessionnaire véhicules de plaisance qualifié ou un Centre d'entretien autorisé Norcold.

Les vérifications de bon état et de sécurité suivantes doivent être effectuées par un concessionnaire véhicules de plaisance qualifié ou par un Centre d'entretien autorisé Norcold :

- Examiner l'état des conduites d'alimentation en gaz et rechercher les fuites.
 - Remplacer ou réparer suivant besoin.
- S'assurer que la pression du gaz propane est de 11 pouces de colonne d'eau.
 - Régler la pression suivant besoin.
- S'assurer que le joint de compression est complet et intact.
 - Remplacer ou réparer suivant besoin.
- S'assurer que le brûleur et l'orifice du brûleur sont propres.
 - Nettoyer suivant besoin.
- S'assurer que l'écartement des électrodes est compris entre 1/8 et 3/16 pouce
 - Régler l'écartement suivant besoin.
- S'assurer que la tension C.A. est comprise entre 108 et 132 volts et la tension C.C. entre 10,5 et 15,4 volts
- S'assurer que l'extrémité du thermocouple est propre et sécuritaire.
- S'assurer que l'espace à l'arrière du réfrigérateur ne sert pas à entreposer des matériaux combustibles, de l'essence ou d'autres liquides ou vapeurs inflammables.

Période d'arrêt prolongé du réfrigérateur

Avant d'entreposer le réfrigérateur pour une période d'arrêt prolongé (hors saison d'utilisation) :

- Dégivrer et nettoyer l'intérieur du réfrigérateur.
- Fermer les portes avec le verrou de stockage.

Avant de remettre en route le réfrigérateur après une période d'arrêt prolongé :

- Vérifier que les orifices de mise à l'air libre, le conduit de fumée, le brûleur, l'orifice du brûleur, et le passage d'air de ventilation ne sont pas obstrués.

Entretien du réfrigérateur

Aspect de la flamme :

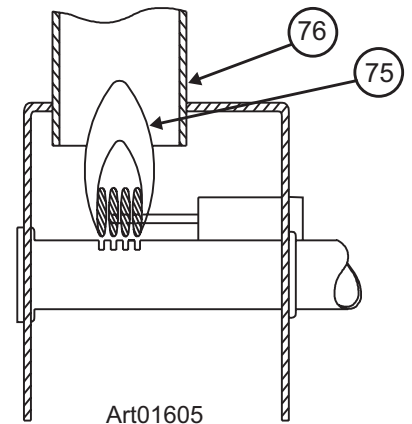
Le réfrigérateur étant en fonctionnement au gaz propane, examiner l'aspect de la flamme :

- Ouvrir la prise d'air inférieure.
- Placer le sélecteur de température à la position correspondant à la température la plus BASSE.



Le couvercle du logement du brûleur peut être chaud. Porter des gants pour éviter les brûlures.

- Ouvrir la porte du logement du brûleur en enlevant la vis.
- Examiner la flamme [75] (se reporter à Art01605).
 - La partie intérieure de la flamme doit être bleu foncé et l'extérieur doit être d'un bleu plus clair, la forme doit être constante et stable.
 - Si la flamme est jaune ou de forme erratique et instable, entrer en rapport avec le concessionnaire ou un Centre d'entretien autorisé Norcold.
 - S'assurer que la flamme ne touche pas l'intérieur du conduit de fumée [76].
 - Si la flamme touche l'intérieur du conduit de fumée, entrer en rapport avec le concessionnaire ou un Centre d'entretien autorisé Norcold.
- Fermer la porte du logement du brûleur.



Dépose et nettoyage de l'orifice du brûleur :

Cette opération doit être effectuée par le concessionnaire ou un Centre d'entretien autorisé Norcold.

Pour déposer et nettoyer l'orifice du brûleur (se reporter à Art00956) :

- Fermer le robinet du réservoir de gaz.
- Placer le sélecteur à la position OFF pour arrêter le réfrigérateur.



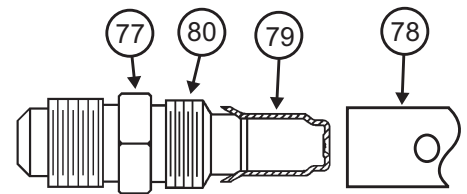
Le couvercle du logement du brûleur peut être chaud. Porter des gants pour éviter les brûlures.

- Ouvrir la prise d'air inférieure.
- Déposer l'égouttoir en enlevant la vis.
- Enlever la vis de retenue du couvercle du logement du brûleur et déposer le couvercle.



Pour éviter des fuites de gaz propane toujours possibles, toujours utiliser deux clés pour desserrer et resserrer la conduite d'alimentation en gaz au robinet d'arrêt manuel du réfrigérateur.

- Enlever l'écrou évasé de l'orifice équipé [77] (se reporter à Art00956).
- Déposer l'orifice équipé du brûleur [78].





Ne pas essayer de séparer l'orifice [79] de son support [80] lors du nettoyage. La séparation endommagera l'orifice et le joint et peut créer une fuite de gaz propane. Le gaz propane peut s'enflammer ou exploser avec pour conséquence des blessures graves, voire la mort. Ne pas nettoyer l'orifice à l'aide d'une épingle ou de tout autre objet.

- Nettoyer l'orifice équipé avec de l'air comprimé et de l'alcool uniquement.
- Remonter l'orifice équipé sur le brûleur en utilisant une clé.
- Monter l'écrou évasé sur l'orifice équipé.
- Inspecter tous les raccords et rechercher les fuites.
- Nettoyer le logement du brûleur.
- Remonter le couvercle du logement du brûleur.
- Remonter l'égouttoir.

Enlèvement du réfrigérateur

Cette opération doit être faite par le concessionnaire ou un Centre d'entretien autorisé Norcold.



L'arrière du réfrigérateur comporte des bords effilés et des angles. Pour éviter les coupures et l'érosion de la peau pendant l'opération, être très attentif et porter des gants résistant aux coupures.

1. Fermer le robinet du réservoir de gaz propane.



Pour éviter les fuites de gaz propane toujours possibles, toujours utiliser deux clés pour serrer et desserrer la conduite d'alimentation en gaz du réfrigérateur.

2. Débrancher le cordon(s) d'alimentation en courant alternatif.
3. Débrancher le câblage C.C. du réfrigérateur.
 - Mettre un repère sur les câbles C.C. afin de les rebrancher au bon endroit.
 - Enlever le fusible C.C. ou enlever le câblage C.C de la batterie ou du convertisseur du véhicule.
 - Déposer le câblage C.C. du réfrigérateur.
4. Ouvrir la prise d'air inférieure et débrancher la conduite d'alimentation en gaz du raccord sur la cloison du réfrigérateur .
5. Enlever les bouchons plastique des rebords de montage du réfrigérateur.
6. Enlever les vis du rebord de montage à l'arrière du réfrigérateur.
7. Enlever les vis des rebords de montage supérieur et inférieur à l'avant du réfrigérateur.
8. Sortir le réfrigérateur de son logement.

Remontage du réfrigérateur

Cette opération doit être effectuée par le concessionnaire ou un Centre d'entretien autorisé Norcold.



S'assurer que le joint de combustion est en parfait état, est correctement en place autour des rebords de montage du réfrigérateur et se trouve entre les rebords de montage et la paroi du logement. Un joint de combustion incomplet peut laisser les fumées toxiques s'infiltrer dans le lieu de séjour du véhicule. L'inhalation de fumées toxiques peut entraîner des étourdissements, des nausées ou, dans les cas extrêmes, la mort.

1. Pousser le réfrigérateur à fond dans le logement.
2. Installer les vis par le rebord de montage supérieur puis par le rebord de montage inférieur à l'avant du réfrigérateur.
3. Installer les vis par le rebord de montage à l'arrière du réfrigérateur.
4. Mettre les bouchons plastique en place dans les rebords de montage du réfrigérateur.



Pour éviter les fuites de propane toujours possibles, toujours utiliser deux clés pour serrer et desserrer les raccords des conduites d'alimentation en gaz.

5. Brancher la conduite d'alimentation en gaz au raccord sur la cloison du réfrigérateur.
6. Ouvrir le robinet du réservoir de propane.



Éviter le contact entre la solution utilisée pour la recherche de fuites et les composants électriques. Beaucoup de liquides sont conducteurs et peuvent causer un choc électrique, des courts-circuits, et éventuellement provoquer un incendie.

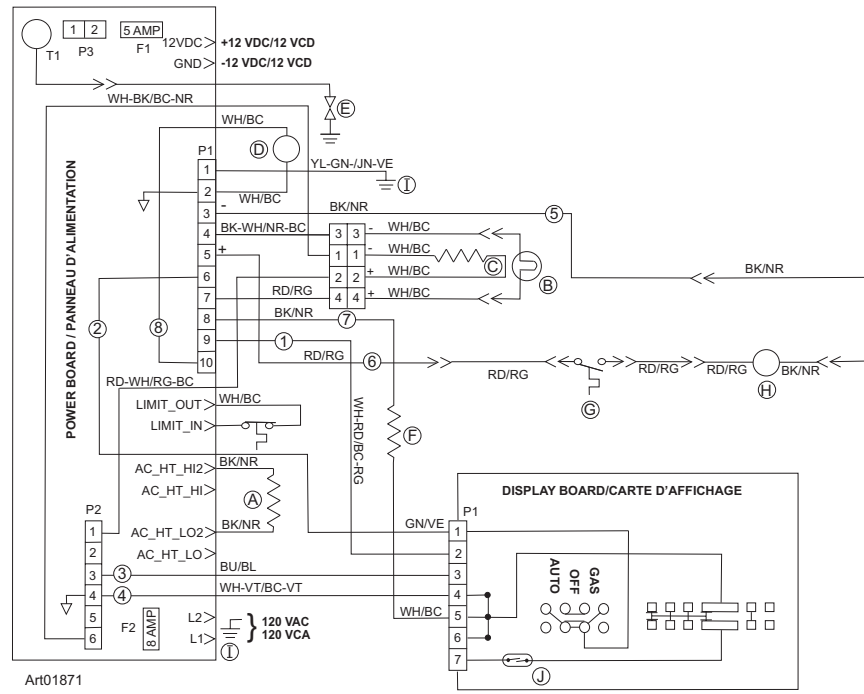
7. Inspecter la conduite d'alimentation en gaz et rechercher les fuites.
8. Brancher le câblage C.C. au réfrigérateur.
 - Installer le fusible C.C. ou raccorder le câblage C.C. à la batterie ou au convertisseur.
 - Brancher les fils C.C. du réfrigérateur.
9. Brancher le cordon d'alimentation C.A. noir dans la prise.

Schéma de câblage et schéma électrique

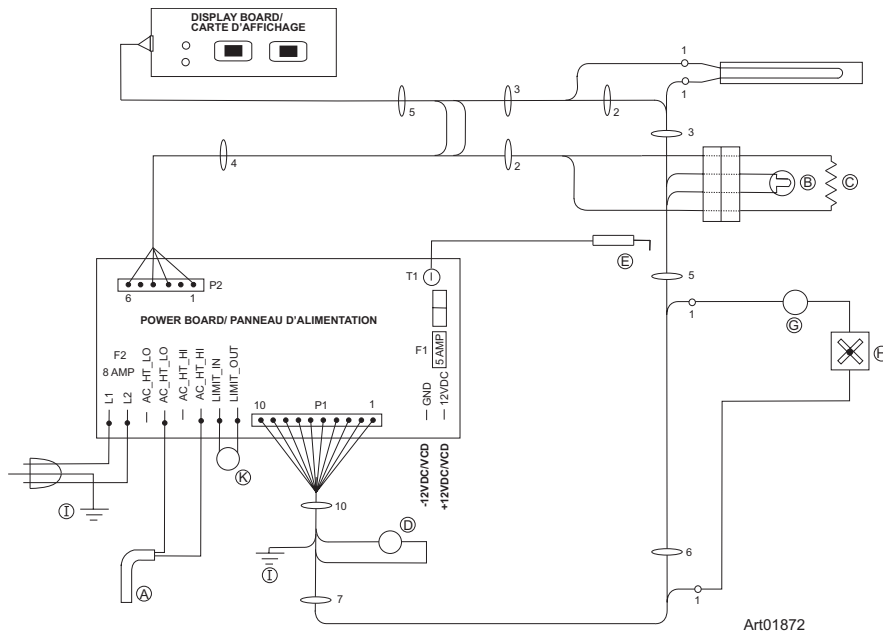
Désignation des repères du schéma de câblage Art01773 :

Désignation des repères du schéma électrique Art01774 :

Dispositif de chauffage c.a.	A
Lampe.....	B
Thermaître.....	C
Soupape de sûreté du gaz.....	D
Allumeur.....	E
Dispositif de chauffage,cloison de séparation.....	F
Interrupteur de température (option).....	G
Ventilateur (option).....	H
Masse du châssis.....	I
Contacteur de porte.....	J
Interrupteur de température.....	K
Commuté 12 V c.c.....	1
Continu fondu 12 V c.c.....	2
Communications.....	3
D'affichage la terre.....	4
Auxiliaire la terre (option).....	5
Auxiliaire + 12 V c.c. (option).....	6
Séparateur + 12 V c.c.....	7
Robinet de gaz + 12 V c.c.....	8
Fusible 5 A c.c.....	F1
Fusible 8 A c.a.....	F2



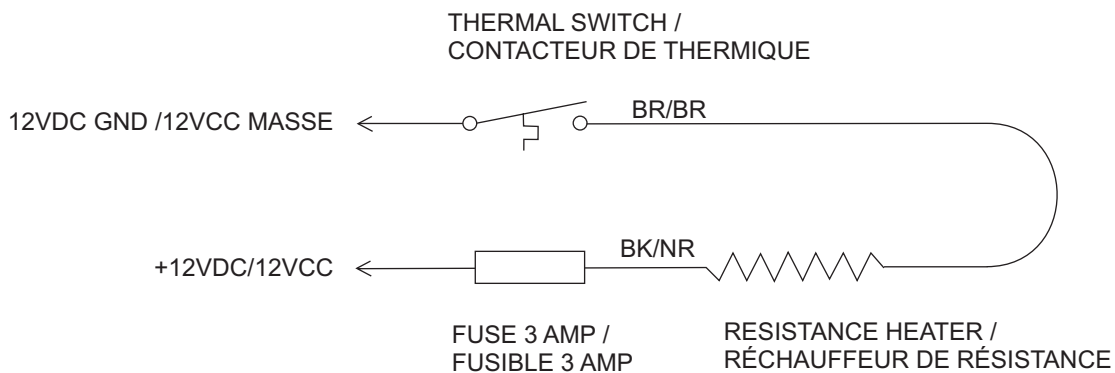
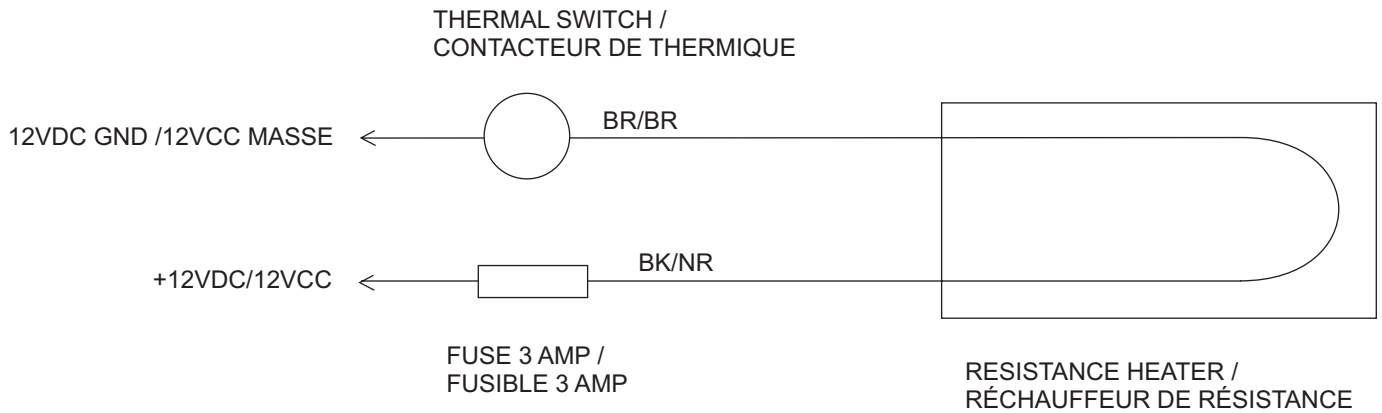
Art01871



Art01872

Remarque: Si l'un des fils d'origine fournis avec le réfrigérateur doit être remplacé, il doit être remplacé par le fil de type d'origine ou son équivalent.

Schéma de câblage et schéma électrique - Chauffage à Basse Température Ambiante (option)



Art02312



Ce kit alimente le chauffage en tension c.c. chaque fois que la température ambiante est suffisamment basse. Un entreposage prolongé par temps froid décharge les batteries du véhicule. Pour éviter la décharge des batteries, débrancher le fusible 3 A du chauffage à basse température ambiante.

Pièces de rechange

Les pièces de rechange peuvent être achetées chez le concessionnaire de véhicules de plaisance local ou dans un Centre d'entretien autorisé Norcold.

Codes d'affichage

Voyant et état	Signification
Voyant ON allumé. Voyant GAS éteint.	Le réfrigérateur fonctionne sur courant alternatif.
Voyant ON allumé. Voyant GAS allumé.	Le réfrigérateur fonctionne au propane.

Codes de défaillance

Voyant et état	Signification	Actions correctives
Voyant ON éteint.	La tension C.C. n'est pas disponible au panneau du réfrigérateur ou le réfrigérateur est arrêté.	Vérifier que: <ul style="list-style-type: none"> - Le réfrigérateur est en route. - Le système de charge de la batterie du véhicule est opérationnel. - Le convertisseur C.A./C.C. est opérationnel (s'il existe). - Entrer en rapport avec le concessionnaire ou un Centre d'entretien aoutrisé Norcold.
Les voyants ON et GAS clignotent un coup à la seconde environ.	Aucune source d'énergie n'est disponible. La tension C. A. n'est pas disponible (ou le réfrigérateur est en mode gaz manuel) et le brûleur ne s'allume ou ne se rallume pas.	Si en mode automatique, vérifier que: <ul style="list-style-type: none"> - Le réfrigérateur est branché dans une prise qui fonctionne. - Le fusible ou le disjoncteur du vehiculé est intact. - La generatrice du vehicule est operationnelle (si elle existe). <p>En n'importe quel mode, vérifier que:</p> <ul style="list-style-type: none"> - La conduite d'alimentation en gaz propane est purgée. Se reporter à "Purge de l'air des canalisations d'alimentation en gaz propane" de ce manuel. - Le robinet du réservoir de propane est ouvert. - La pression du gaz est correcte. - Le robinet d'arrêt manuel du réfrigérateur set ouvert. - Réenclencher en plaçant le sélecteur sur OFF, puis sur AUTO ou GAS. - Entrer en rapport avec le concessionnaire ou un Centre d'entretien aoutrisé Norcold.
Voyant ON allumé, le voyant GAS clignote un coup à la seconde environ.	Le brûleur ne s'allume ou ne se rallume pas. Le réfrigérateur est "sans gaz", la tension C.A. est rétablie et le réfrigérateur fonctionne sur C.A.	Vérifier que: <ul style="list-style-type: none"> - La conduite d'alimentation en gaz propane est purgée. Se reporter à "Purge de l'air des canalisations d'alimentation en gaz propane" de ce manuel. - Le robinet du réservoir de propane est ouvert. - La pression du gaz est correcte. - Le robinet d'arrêt manuel du réfrigérateur set ouvert. - Réenclencher en plaçant le sélecteur sur OFF, puis sur AUTO ou GAS. - Entrer en rapport avec le concessionnaire ou un Centre d'entretien aoutrisé Norcold.
Voyant ON allumé, s'éteint 1 fois toutes les 3 secondes environ.	Sonde de température défectueuse. Le réfrigérateur fonctionne sur le système de secours.	Aucune action corrective par l'utilisateur/propriétaire. Entrer en rapport avec le concessionnaire ou un Centre d'entretien aoutrisé Norcold.
Voyant ON allumé, s'éteint 3 fois toutes les 3 secondes environ. Voyant GAS allumé.	Dispositif de chauffage C.A. défectueux. Le réfrigérateur fonctionnera sur propane uniquement.	Aucune action corrective par l'utilisateur/propriétaire. Entrer en rapport avec le concessionnaire ou un Centre d'entretien aoutrisé Norcold.
Voyant ON allumé, s'éteint 4 fois toutes les 3 secondes environ.	Défaillance du système de commande du réfrigérateur.	Aucune action corrective par l'utilisateur/propriétaire. Entrer en rapport avec le concessionnaire ou un Centre d'entretien aoutrisé Norcold.

