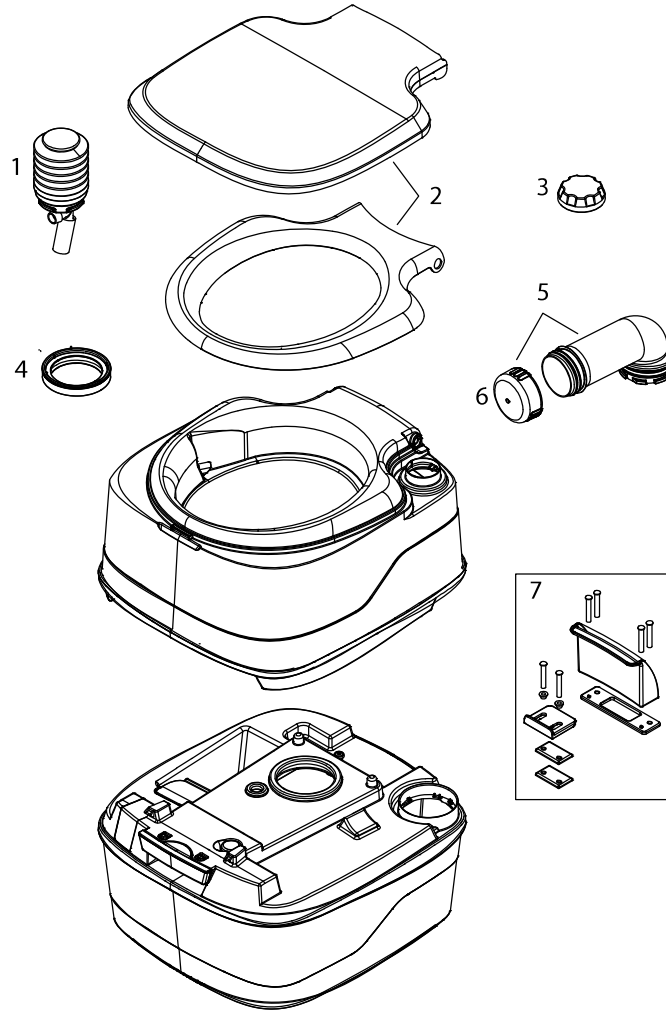


# Campa Potti®

Portable, Two-Piece,  
Fresh Water Flush Toilet



Key No.	Part No.	Description
1	92919111	Bellows Assembly
	92919	<i>Superseded to 92919111</i>
2	92903111	Seat & Cover
	92903	<i>Superseded to 92903111</i>
3	92905111	No-Spill Water Fill Cap
	92905	<i>Superseded to 92905111</i>
4	07101	Lip Seal
5	9290707	Pour-Out Spout w/Cap
	92907	<i>Superseded to 9290707</i>
6	92906111	Pour-Out Spout Cap Only
	92906	<i>Superseded to 92906111</i>
7	92922111	Hold Down Kit (optional)
	92922	<i>Superseded to 92922111</i>

 Not available