



# PARTS LIST

---

## DE0041 SERIES

A diagram of a semi-circular part, possibly a door or panel, with a vertical line extending from its center to the top and bottom edges. Three callout boxes are positioned to the right of the semi-circle, each containing a part number.

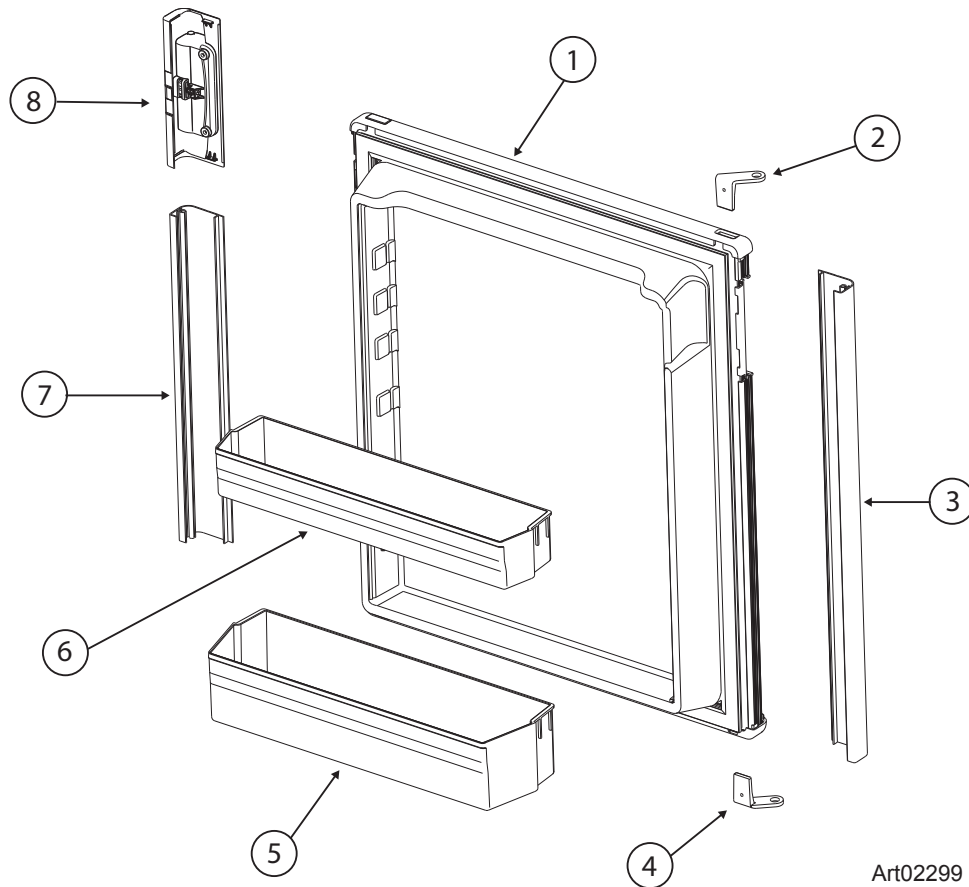
**DE0041**

**DE0041T**

**EV0041**

PART NO.624379  
NORCOLD 3/24/2022

## DOOR - (FRESH FOOD) - DE0041 SERIES

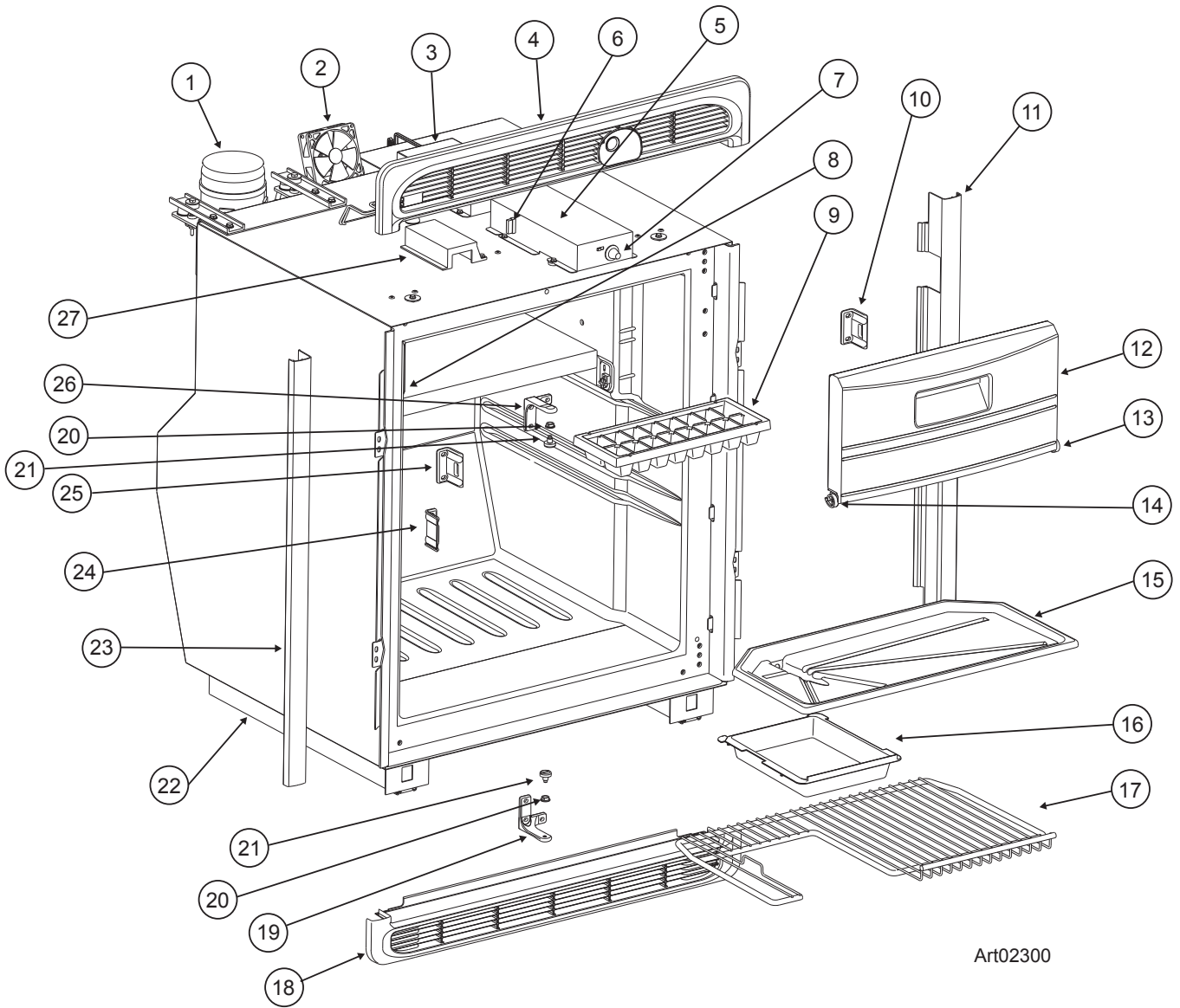


Art02299

NO.	PART #	DESCRIPTION	DE0041	DE0041T	EV0041
1	621669	DOOR LINER ASSY-FOAMED	X	X	X
2	618510	HINGE-DOOR SIDE/TOP LH/BTM RH/BLACK	X	X	X
3	621667	PANEL RETAINER-BLACK/HINGE SIDE	X	X	X
4	618511	HINGE-DOOR SIDE/TOP RH/BTM LH/BLACK	X	X	X
5	623696	BIN-DOOR-LARGE WHITE	X	X	X
6	618619	BIN-DOOR SHELF/SMALL/WHITE	X	X	X
7	621668	PANEL RETAINER-BLACK/HANDLE SIDE	X	X	X
8	621520	DOOR HANDLE ASSY-VERTICAL	X	X	X
NS	618160	CAP-HINGE PLUG/BLACK	X	X	X
NS	619569	BOLT-CAP SHOULDER/TORX HEAD	X	X	X

NS = NOT SHOWN

**CABINET ASSEMBLY - FRONT VIEW - DE0041 (S/N 14763825 AND BELOW)  
- EV0041 (S/N 14763825 AND BELOW)**



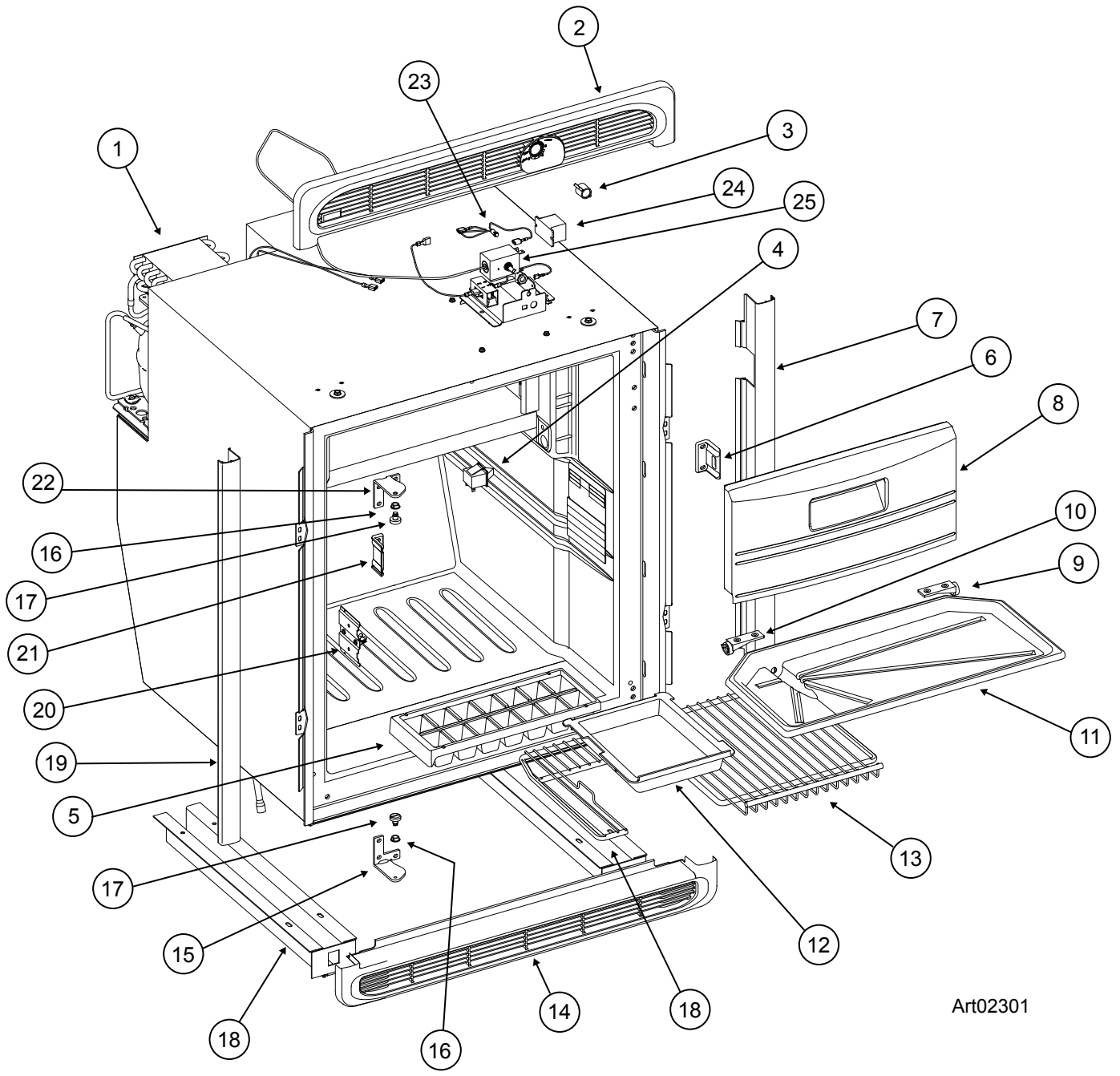
**CABINET ASSEMBLY - FRONT VIEW - DE0041 (S/N 14763825 AND BELOW)  
- EV0041 (S/N 14763825 AND BELOW)**

NO.	PART #	DESCRIPTION	DE0041	DE0041T	EV0041
1	161013400	COOLING UNIT-DE0041/EV0041	X	X	X
2	160928900	FAN ONLY-50 CYCLE/40 WATT	X	X	X
3	169000500	POWER SUPPLY-AC (SP-243B)	X	X	
	169000510	POWER SUPPLY-AC (SP-260A)			X
4	621634	GRILL-TOP/VENTILATION	X	X	X
5	163011200	POWER SUPPLY-DC (SP-295)	X		X
	163011210	POWER SUPPLY-DC (SP-294)		X	
6		FUSE-BLADE/10 AMP/DC POWER SUPPLY (AUTOMOTIVE SUPPLY)	X	X	X
7	160220100	KNOB-THERMOSTAT	X	X	X
8	623119	SWITCH-CABINET LIGHT	X	X	X
9	61630422	ICE CUBE TRAY-PLASTIC	X	X	X
10	621557	STRIKE PLATE-BLACK	X	X	X
11	623123	TRIM PIECE-SIDE/RH	X	X	X
12	619117	EVAPORATOR DOOR ASSY	X	X	X
13	61632930	MOUNTING CLIP-RH/WHITE/EVAPORATOR DOOR	X	X	X
14	61633030	MOUNTING CLIP-LH/WHITE/EVAPORATOR DOOR	X	X	X
15	621629	DRIP TRAY-INSIDE/EVAPORATOR	X	X	X
16	617756	TRAY-SHELF/WHITE/CUT OUT	X	X	X
17	621678	SHELF-WIRE/WITH CUTOUT	X	X	X
18	621573	GRILL ASSY-BOTTOM	X	X	X
19	619335	HINGE-CABINET/3 POINT/TOP RH/BTM LH/PANEL/BLACK (USE 624785)	X	X	X
	624785	HINGE-CABINET/ 10-32 UR/LL BLACK	X	X	X
20	618144	HINGE BUSHING-DOOR HINGE/BLACK	X	X	X
21	618145	HINGE PIN-DOOR/PANEL DOORS/BLACK	X	X	X
22	623133	CHANNEL-BOTTOM RAIL	X	X	X
23	623124	TRIM PIECE-SIDE/LH	X	X	X
24	61629722	LAMP BRACKET ASSY (USE 638292)	X	X	X
	638292	KIT SERVICE LAMP BRACKET REPLACEMENT	X	X	X
NS	632545	LAMP-DC LIGHT BULB	X	X	X
NS	621827	COVER-LAMP BRACKET	X		X
26	621697	COVER-STRIKE PLATE/BLACK	X	X	X
26	619336	HINGE-CABINET/3 POINT/TOP LH/BTM RH/PANEL/BLACK	X	X	X
27	169000700	CIRCUIT BOARD-LIGHT CONTROL	X	X	X
NS	619041	SPRING HOLDER ASSY-RH/EVAP DOOR/SILVER SPRING	X	X	X
NS	619042	SPRING HOLDER ASSY-LH/EVAP DOOR/YELLOW SPRING	X	X	X
NS	623121	CLAMP-SHELF RETAINING LOOP 3/8"	X	X	X

PART IS NO LONGER AVAILABLE

NS = NOT SHOWN

**CABINET ASSEMBLY - FRONT VIEW - DE0041 (S/N 14763826 AND ABOVE)  
 - EV0041 (S/N 14763826 AND ABOVE)**



Art02301

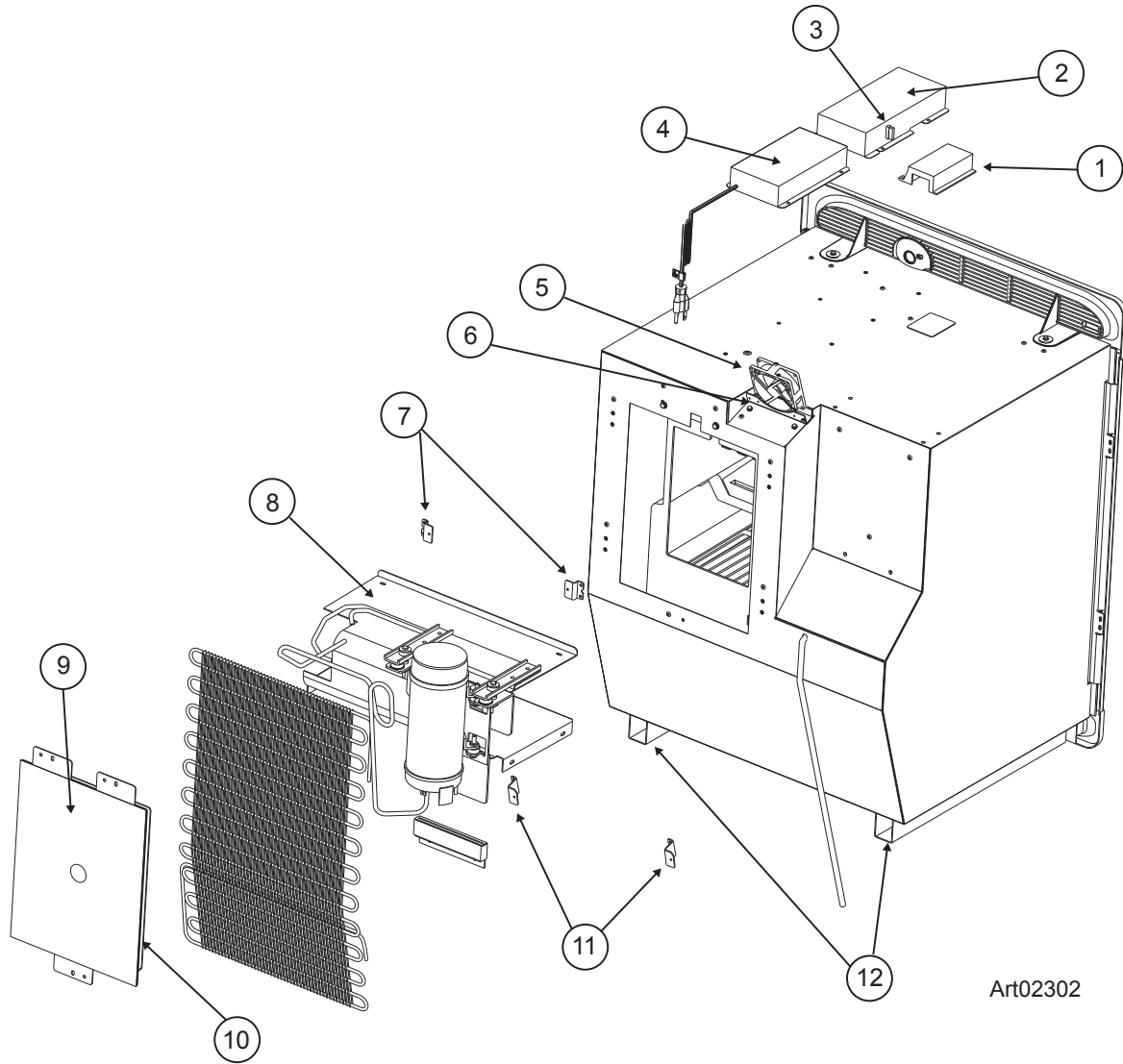
**CABINET ASSEMBLY - FRONT VIEW - DE0041 (S/N 14763826 AND ABOVE)  
- EV0041 (S/N 14763826 AND ABOVE)**

NO.	PART #	DESCRIPTION	DE0041	EV0041
1	634823	COOLING UNIT W/FAN-DE0041/EV0041 (USE 641159)	X	X
	638397	COMPRESSOR ASSY (USE 641159)	X	X
	641159	KIT COOLING UNIT	X	X
2	634785	GRILL-TOP/VENTILATION	X	X
3	61748722	KNOB-THERMOSTAT	X	X
4	623119	SWITCH-CABINET LIGHT	X	X
5	61630422	ICE CUBE TRAY-PLASTIC	X	X
6	621557	STRIKE PLATE-BLACK	X	X
7	623123	TRIM PIECE-SIDE/RH	X	X
8	619117	EVAPORATOR DOOR ASSY	X	X
9	61632930	MOUNTING CLIP-RH/WHITE/EVAPORATOR DOOR	X	X
10	61633030	MOUNTING CLIP-LH/WHITE/EVAPORATOR DOOR	X	X
11	621629	DRIP TRAY-INSIDE/EVAPORATOR	X	X
12	617756	TRAY-SHELF/WHITE/CUT OUT	X	X
13	621678	SHELF-WIRE/WITH CUTOUT (S/N 171241124 AND BELOW)	X	X
	632454	SHELF-WIRE/WITH CUTOUT (S/N 171241125 AND ABOVE)	X	X
14	621573	GRILL ASSY-BOTTOM	X	X
15	624785	HINGE-CABINET/3 POINT/TOP RH/BTM LH/PANEL/BLACK	X	X
16	618144	HINGE BUSHING-DOOR HINGE/BLACK	X	X
17	618145	HINGE PIN-DOOR/PANEL DOORS/BLACK	X	X
18	623133	CHANNEL-BOTTOM RAIL	X	X
19	623124	TRIM PIECE-SIDE/LH	X	X
20	61629722	LAMP BRACKET ASSY (USE 638292)	X	X
	638292	KIT SERVICE LAMP BRACKET REPLACEMENT	X	X
21	621697	COVER-STRIKE PLATE/BLACK	X	X
22	624786	HINGE-CABINET/3 POINT/TOP LH/BTM RH/PANEL/BLACK	X	X
23	634802	INDICATOR LIGHT	X	X
24	634835	RELAY	X	X
25	634786	THERMOSTAT (USE 639857)	X	X
	639857	THERMOSTAT (USE 639866)	X	X
	639866	KIT SERVICE THERMOSTAT REPLACEMENT	X	X
NS	634836	POWER MODULE	X	X
NS	634664	FAN-SYSTEM 12VDC	X	X
NS	634825	POWER SUPPLY CORD-U.S.A.	X	
	634826	POWER SUPPLY CORD-EUROPE		X
	634827	POWER SUPPLY CORD-AUSTRALIA		
NS	619041	SPRING HOLDER ASSY-RH/EVAP DOOR/SILVER SPRING	X	X
NS	619042	SPRING HOLDER ASSY-LH/EVAP DOOR/YELLOW SPRING	X	X
NS	623121	CLAMP-SHELF RETAINING LOOP 3/8"	X	X
NS	632545	LAMP-DC LIGHT BULB	X	X
NS	621827	COVER-LAMP BRACKET	X	X

PART IS NO LONGER AVAILABLE

NS = NOT SHOWN

**CABINET ASSEMBLY - REAR VIEW - DE0041 (S/N 14763825 AND BELOW)  
- EV0041 (S/N 14763825 AND BELOW)**



Art02302

**CABINET ASSEMBLY - REAR VIEW - DE0041 (S/N 14763825 AND BELOW)  
- EV0041 (S/N 14763825 AND BELOW)**

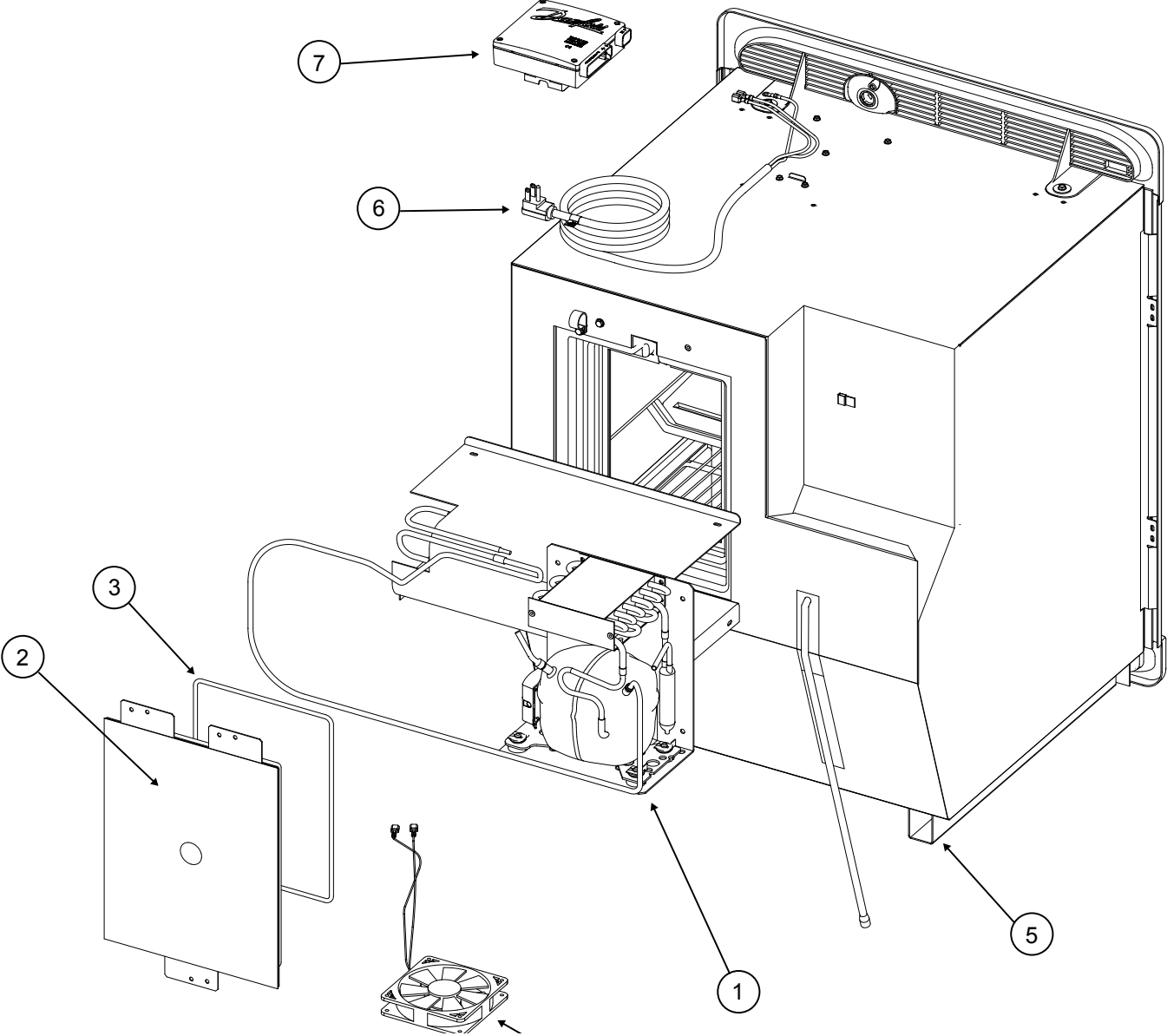
NO.	PART #	DESCRIPTION	DE0041	DE0041T	EV0041
1	169000700	CIRCUIT BOARD-LIGHT CONTROL	X	X	X
2	163011200	POWER SUPPLY-DC (SP-295)	X		X
	163011210	POWER SUPPLY-DC (SP-294)		X	
3		FUSE-BLADE/10 AMP/DC POWER SUPPLY (AUTOMOTIVE SUPPLY)	X	X	X
4	169000500	POWER SUPPLY-AC (SP-243B)	X	X	
	169000510	POWER SUPPLY-AC (SP-260A)			X
5	160928900	FAN ONLY-50 CYCLE/40 WATT	X	X	X
6	623153	BRACKET-FAN	X	X	X
7	322066300	HOLDER-CONDENSER	X	X	X
8	161013400	COOLING UNIT	X	X	X
9	621617	FOAM PLUG PANEL ASSY-EVAPORATOR ACCESS	X	X	X
10	621571	GASKET-EVAPORATOR PLUG	X	X	X
11	322066400	HOLDER-CONDENSER	X	X	X
12	623133	CHANNEL-BOTTOM RAIL	X	X	X
NS	190282000	COUPLER ASSY-DC INPUT CORD	X	X	X
NS		FUSE-GLASS/10 AMP/DC CORD (AUTOMOTIVE SUPPLY)	X	X	X
NS	192116604	CORD WITH TERMINAL-GROUND CORD	X	X	X
NS	190264700	COUPLER ASSY-COOLING UNIT TO EXTENSION	X	X	X
NS	601064730	COUPLER ASSY-DC POWER SUPPLY TO CORD/COOLING UNIT	X	X	X
NS	601064830	COUPLER ASSY-DC POWER SUPPLY TO FAN	X	X	X
NS	601064600	COUPLER ASSY-DC POWER SUPPLY TO THERMISTER	X	X	X
NS	605505420	THERMISTER-EVAPORATOR	X	X	X

PART IS NO LONGER AVAILABLE

NS = NOT SHOWN



**CABINET ASSEMBLY - REAR VIEW - DE0041 (S/N 14763826 AND ABOVE)  
- EV0041 (S/N 14763826 AND ABOVE)**



**CABINET ASSEMBLY - REAR VIEW - DE0041 (S/N 14763826 AND ABOVE)  
- EV0041 (S/N 14763826 AND ABOVE)**

NO.	PART #	DESCRIPTION	DE0041	EV0041
1	634823	COOLING UNIT W/FAN (USE 638397)	X	X
	638397	COMPRESSOR ASSY (USE 641159)	X	X
	641159	KIT COOLING UNIT	X	X
2	621617	FOAM PLUG PANEL ASSY-EVAPORATOR ACCESS	X	X
3	621571	GASKET-EVAPORATOR PLUG	X	X
4	634664	FAN-SYSTEM 12VDC	X	X
5	623133	CHANNEL-BOTTOM RAIL	X	X
6	634825	POWER SUPPLY CORD-U.S.A.	X	
	634826	POWER SUPPLY CORD-EUROPE		X
	634827	POWER SUPPLY CORD-AUSTRALIA		
7	634836	POWER MODULE	X	X
	638396	POWER MODULE (SN 14763826 AND ABOVE)	X	X
	640291	REMOTE MODULE	X	X
NS	634919	CABLE-REMOTE MODULE TO COMPRESSOR	X	X
NS	634880	WIRE- MODULE TO RELAY	X	X
NS	634874	POWER CORD-DC (USE 639816)	X	X
NS	639816	POWER CORD DC	X	X
NS	634821	REMOTE MODULE BASE/COVER KIT	X	X

NS = NOT SHOWN

 NO LONGER AVAILABLE