



PARTS LIST

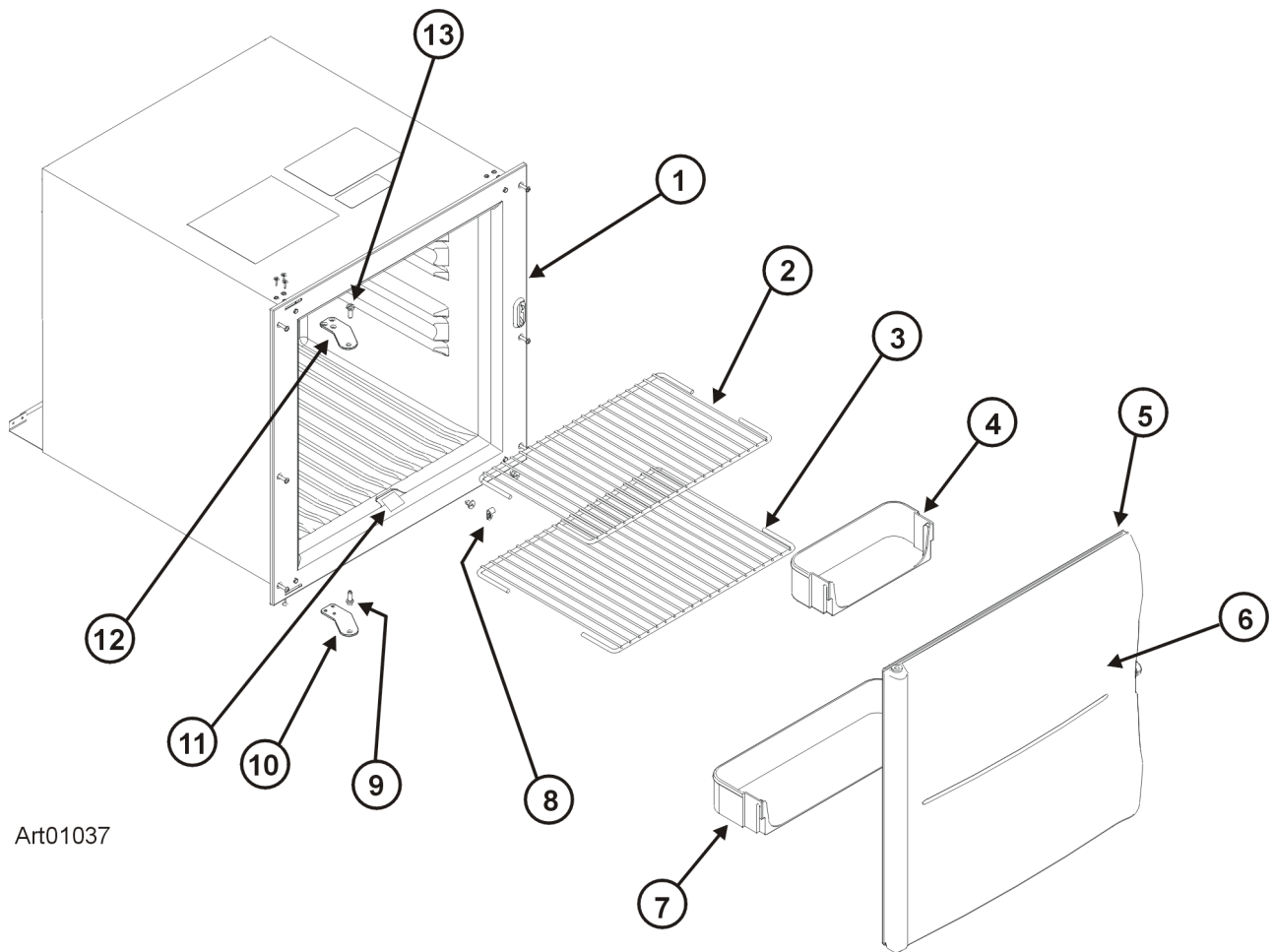
N260 SERIES

N260

N260.3

**PART NO. 619261
NORCOLD 10/242019**

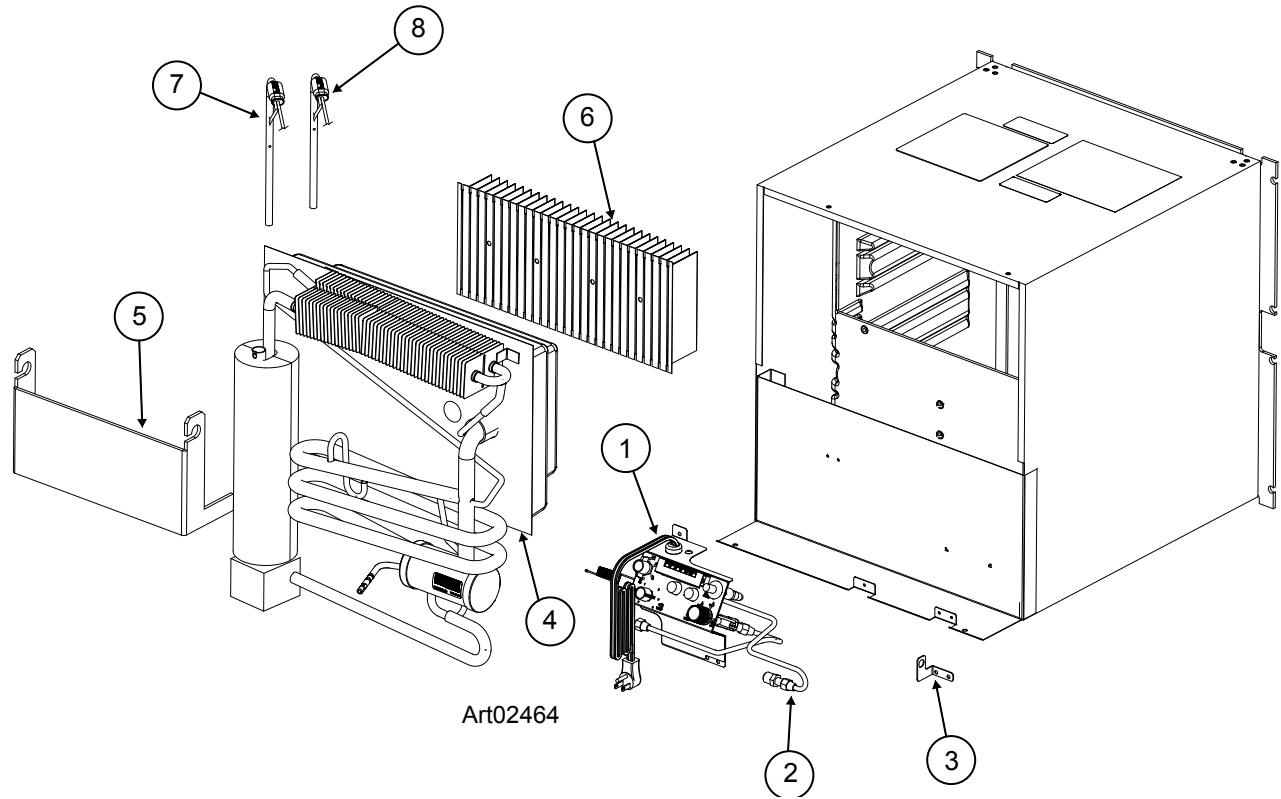
CABINET ASSEMBLY - FRONT VIEW - N260 SERIES



Art01037

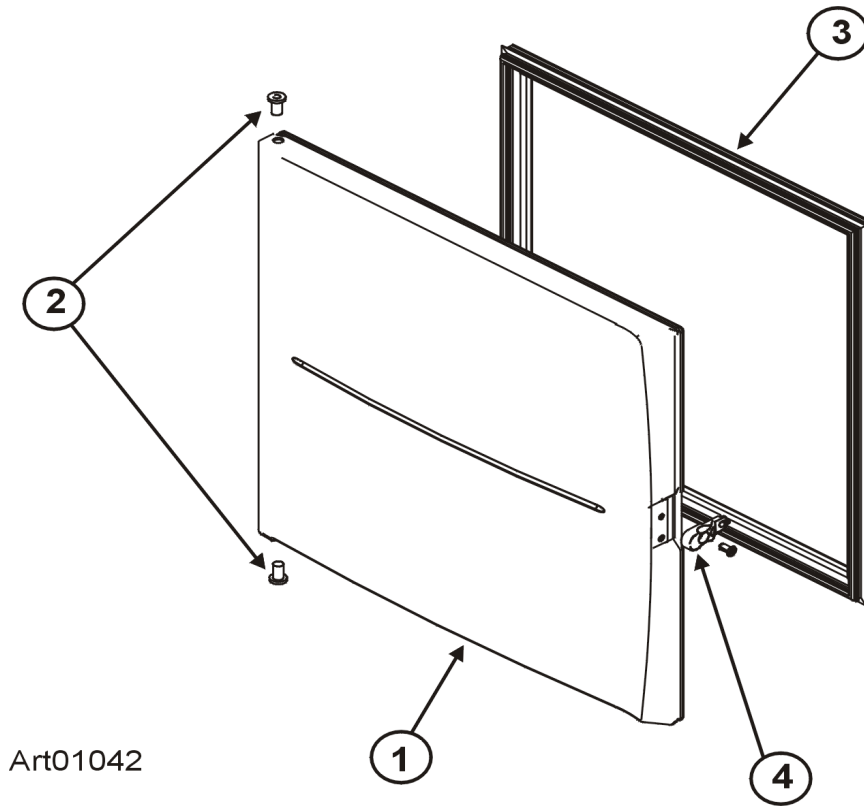
NO.	PART #	DESCRIPTION	N260	N260.3
1	619232	BREAKER-CABINET/METAL	X	X
2	632440	SHELF-WIRE/TOP	X	X
3	632439	SHELF-WIRE/BOTTOM	X	X
4	619242	BIN-DOOR SHELF/SMALL	X	X
5	619233	DOOR GASKET (USE 623979)	X	X
	623979	DOOR GASKET (USE 638815)	X	X
	638815	KIT SERVICE DOOR GASKET REPLACEMENT	X	X
6	619234	DOOR ASSY	X	X
7	619235	BIN-DOOR SHELF/LARGE	X	X
8	61409622	CLIP-SHELF (USE 623121)	X	X
	623121	CLIP-SHELF	X	X
9	61550722	HINGE PIN-BOTTOM	X	X
10	619222	HINGE-LOWER LH/UPPER RH	X	X
11	619238	NAMEPLATE	X	X
12	619221	HINGE-LOWER RH/UPPER LH	X	X
13	61114600	HINGE PIN-TOP- (USE 638630)	X	X
	638630	KIT SERVICE UPPER HINGE PIN REPLACEMENT	X	X
		PART IS NO LONGER AVAILABLE		

CABINET ASSEMBLY - REAR VIEW - N260 SERIES



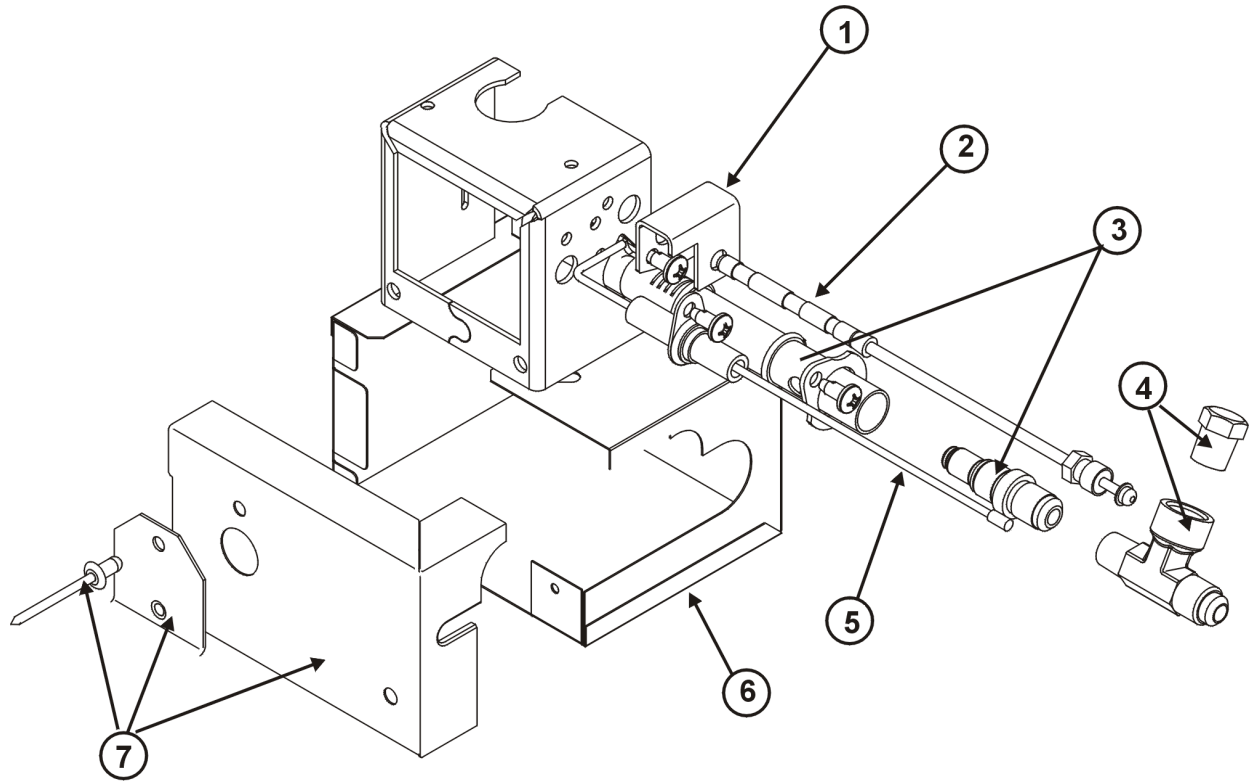
NO.	PART #	DESCRIPTION	N260	N260.3
NS	619272	CONTROL ASSEMBLY-ELECTRICAL/EG3 (SN 20151854 & BELOW)		X
NS	620203	CONTROL ASSEMBLY-ELECTRICAL/EG2 (USE 619272 SN 20151854 & BELOW)	X	
NS	619271	CONTROL ASSEMBLY-GAS (SN 20151854 & BELOW)	X	X
1	635969	CONTROL ASSEMBLY (SN 20151855 & ABOVE)		X
NS	61749122	MANUAL SHUT OFF VALVE (SN 20151854 & BELOW)	X	X
2	636367	INLET FITTING (SN 20151855 & ABOVE)		X
3	61749822	BRACKET-MANUAL SHUT OFF VALVE (SN 20151854 & BELOW)	X	X
	636011	BRACKET (SN 20151855 & ABOVE)		X
4	619091	NSC SYSTEM PACK-COOLING UNIT (USE 632076)	X	X
	632076	KIT SERV SYSTEM PACK N260	X	X
5	619068	BAFFLE ASSY-REAR	X	X
6	61686823	FINS	X	X
NS	61728722	CLIP-FIN (NOT SHOWN)	X	X
7	61745322	HEATER-AC	X	X
8	61745422	HEATER-DC/EG3		X
NS	619188	BRACKET-MOUNTING/CONDENSER (NOT SHOWN)	X	X
NS	61754922	CAP-FLUE HEAT (NOT SHOWN)	X	X
NS		NOT SHOWN		

DOOR ASSEMBLY - N260 SERIES



NO.	PART #	DESCRIPTION	N260	N260.3
1	619234	DOOR ASSY	X	X
2	61742022	HINGE BUSHING	X	X
3	619233	DOOR GASKET (USE 623979)	X	X
	623979	DOOR GASKET (USE 638815)	X	X
	638815	KIT SERVICE DOOR GASKET REPLACEMENT	X	X
4	619228	LATCH-DOOR	X	X
		PART IS NO LONGER AVAILABLE		

BURNER ORIFICE AREA - N260 SERIES

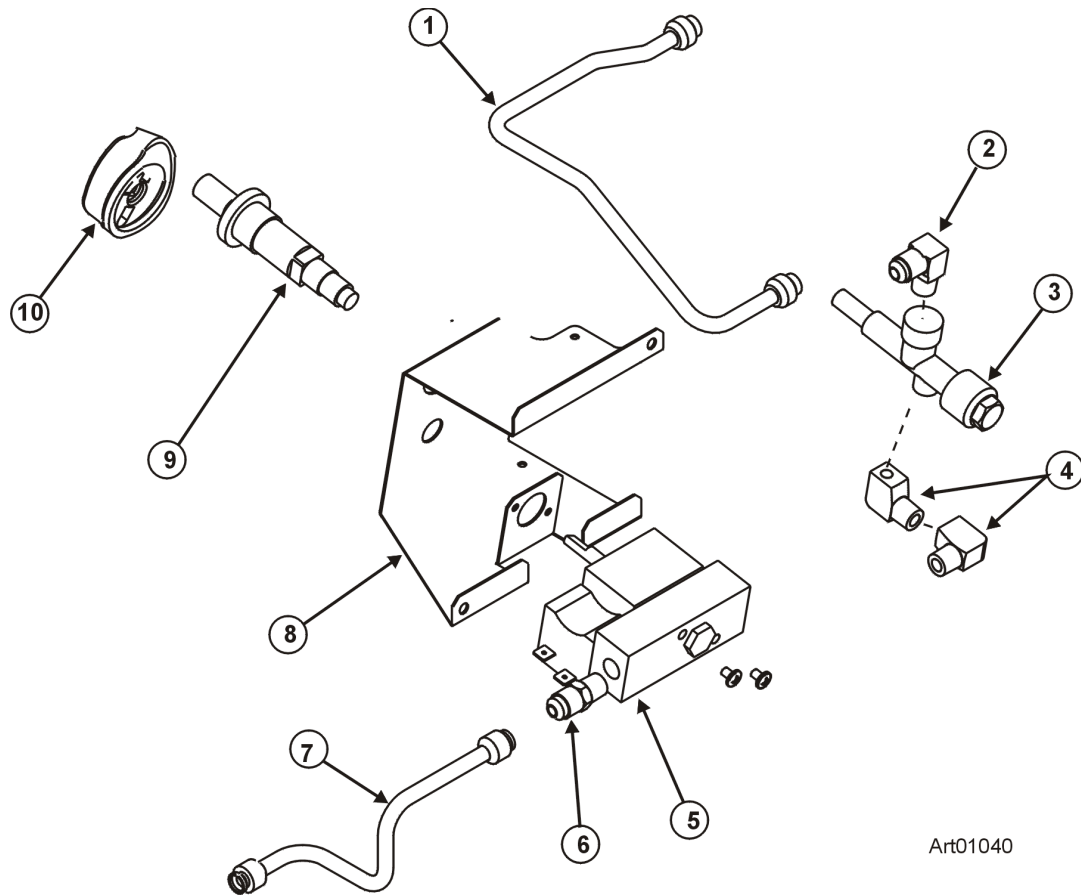


Art01039

NO.	PART #	DESCRIPTION	N260	N260.3
1	629091	BRACKET-THERMOCOUPLE (SN 20151854 & BELOW)	X	X
	636576	BRACKET-THERMOCOUPLE (SN 20151855 & ABOVE)		X
2	618445	THERMOCOUPLE (SN 20151854 & BELOW)	X	X
	636078	TERMOCOUPLE (SN 20151855 & ABOVE)		X
3	621949	KIT-BURNER/ORIFICE ADAPTER ASSY	X	X
4	621077	PRESSURE TAP (SN 20151854 & BELOW)	X	X
	621084	PRESSURE TEE ASSY (SN 20151854 & BELOW)	X	X
	61755322	PRESSURE TAP (CONTACT NORCOLD)	X	X
5	61722922	ELECTRODE-SPARK	X	X
6	61721622	BURNER BOX-BOTTOM	X	X
7	620850	COVER ASSY-BURNER BOX/WITH DOOR/TOP	X	X
NS	618527	CLIP (NOT SHOWN)	X	X

NS NOTSHOWN

CONTROL ASSEMBLY - GAS CONTROLS - N260 SERIES SN 20151854 & BELOW



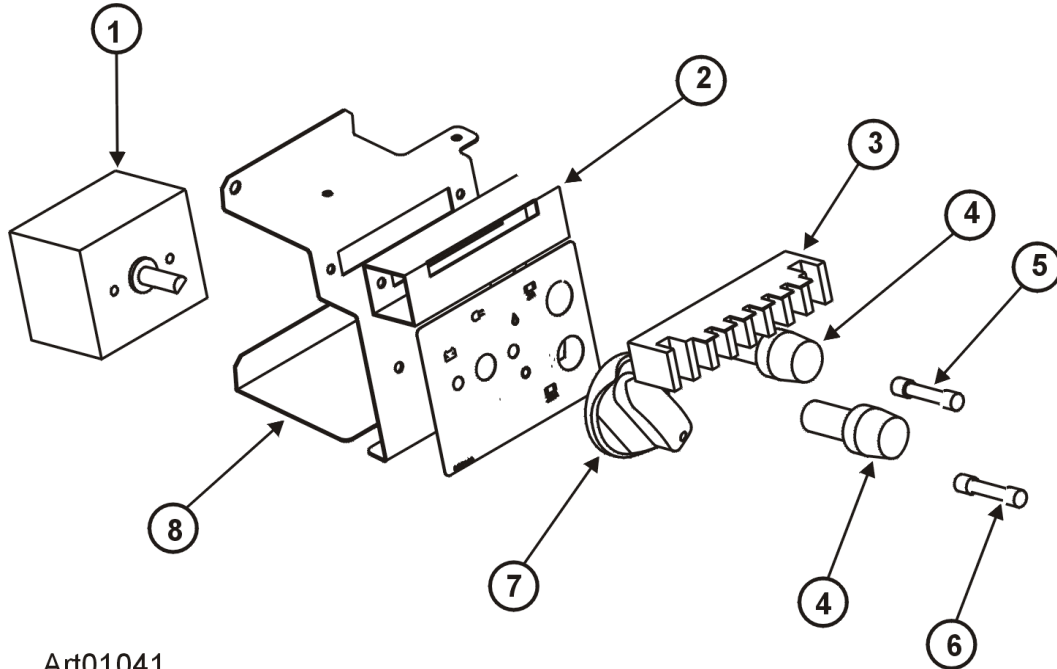
Art01040

NO.	PART #	DESCRIPTION	N260	N260.3
	619271	CONTROL ASSEMBLY-GAS	X	X
1	621053	BURNER TUBE	X	X
	619256	BURNER TUBE (CONTACT NORCOLD)	X	X
2	61621622	BRASS ELBOW-UNION TUBE	X	X
3	622746001	SAFETY VALVE (USE 638094)	X	X
	638094	KIT SERVICE GAS SAFETY VALVE REPLACEMENT	X	X
4	619278	BRASS ELBOW-90 DEGREE/1/8 NPTF	X	X
5	620418	GAS VALVE/THERMOSTAT	X	X
6	61546822	CONNECTOR-MALE	X	X
7	619257	INLET TUBE-GAS	X	X
8	619223	BRACKET-CONTROL/GAS	X	X
9	61645622	SPARK IGNITOR-MANUAL (USE 639058)	X	X
	639058	KIT SERVICE SPARK IGNITOR REPLACEMENT	X	X
10	629357	KNOB- WARM GRAY	X	X
NS	620534	BY PASS SCREW-#8 (NOT SHOWN)	X	X
NS	621737	INTERRUPTER (NOT SHOWN)	X	X

NS NOT SHOWN

NO LONGER AVAILBLE

CONTROL ASSEMBLY - ELECTRIC CONTROLS - N260 SERIES SN 20151854 & BELOW

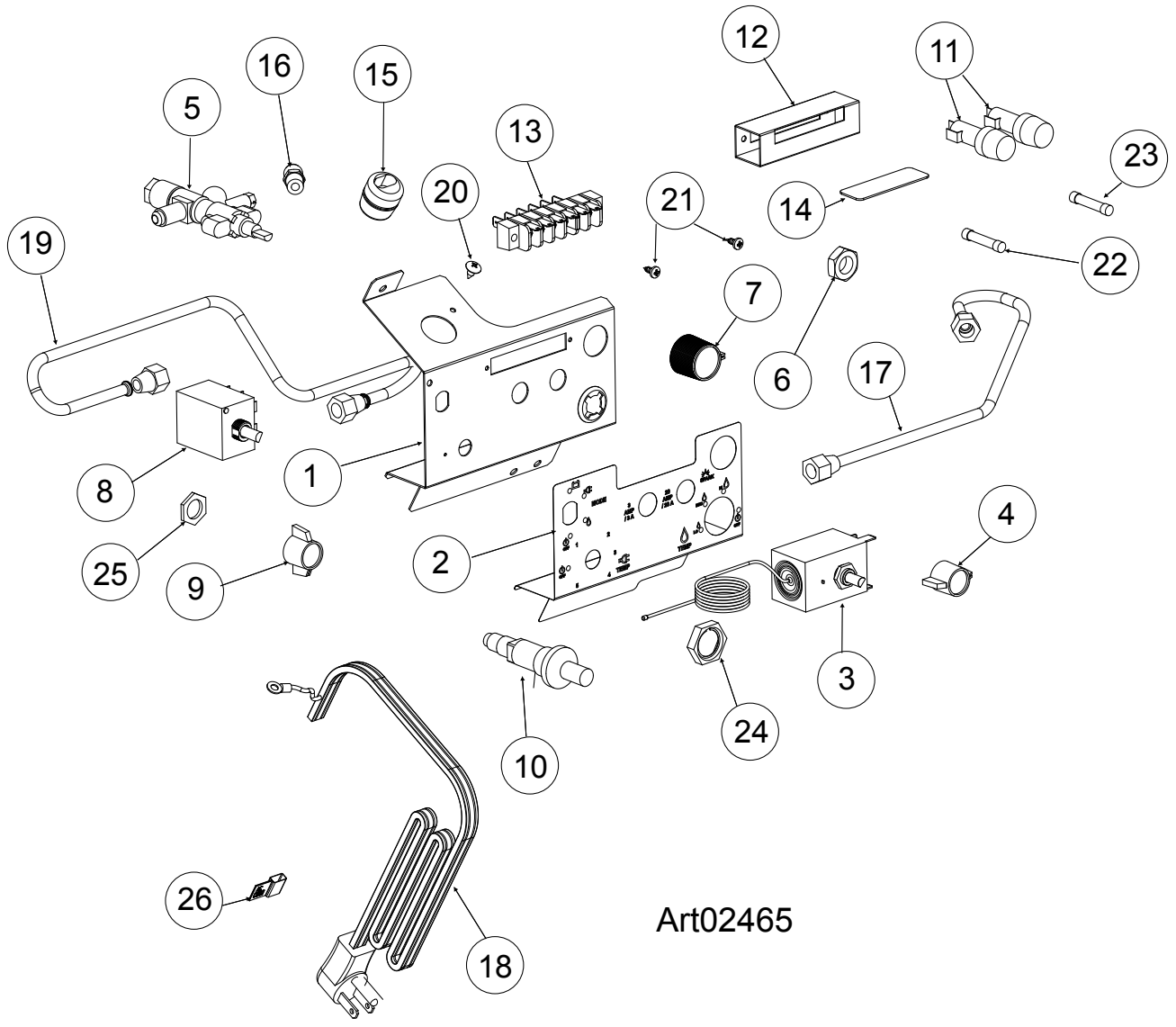


Art01041

NO.	PART #	DESCRIPTION	N260	N260.3
	619272	CONTROL ASSEMBLY-ELECTRICAL/EG3		X
	620203	CONTROL ASSEMBLY-ELECTRICAL/EG2 (USE 619272)	X	
1	619168	SWITCH-SELECTOR/4 POSITION	X	X
2	61756322	COVER-TERMINAL BLOCK	X	X
3	61754722	TERMINAL BLOCK	X	X
4	61638722	FUSE HOLDER	X	X
5	61440522	FUSE-GLASS/20 AMP	X	X
6	61654622	FUSE-GLASS/3 AMP/32V OR LESS	X	X
7	619070	KNOB	X	X
8	619227	BRACKET-CONTROL/ELECTRIC	X	X
NS	617918	CORD-AC POWER (NOT SHOWN)	X	X
NS	619170	WIRE-11"/RED (NOT SHOWN)	X	X
NS	619172	WIRE-2"/BLUE (NOT SHOWN) (USE 61752322)	X	X
NS	619176	WIRE-2"/ORANGE (NOT SHOWN)	X	X
NS	619171	WIRE-2"/RED (NOT SHOWN)	X	X
NS	61752322	WIRE-4"/BLUE (NOT SHOWN)	X	X
NS	619169	WIRE-4"/ORANGE (NOT SHOWN)	X	X
NS	618557	WIRE-CONTROL/BLACK (NOT SHOWN)		X
NS	618558	WIRE-CONTROL/RED (NOT SHOWN)		X

NS NOTSHOWN

CONTROL ASSEMBLY - N260 SERIES SN 20151855 & ABOVE



Art02465

CONTROL ASSEMBLY - N260 SERIES SN 20151855 & ABOVE

NO.	PART #	DESCRIPTION	N260	N260.3
NS	635969	CONTROL ASSY (SN 20151855 & ABOVE)		
1	635965	323/ N260.3 CONTROL PANEL BRACKET	X	X
2	636200	CONTROL PANEL LABEL	X	X
3	636495	THERMOSTAT	X	X
4	636206	KNOB SELECTOR	X	X
5	635690	COPRECI VALVE (USE 638587)	X	X
	638587	KIT SERVICE GAS VALVE REPLACEMENT	X	X
6	636356	M12-1.00 HEX JAM NUT	X	X
7	636025	GAS CONTROL VALVE KNOB	X	X
NS	637121	SHIM- KNOB (NOTE: Shim 637121 is no longer needed following design change to knob 636025, starting SN 21434103 and above, April 7,2015)	X	X
8	620863	SELECTOR SWITCH	X	X
9	636024	KNOB SELECTOR	X	X
10	61645622	SPARK IGNITOR MARK 21 (USE 633998)	X	X
	633998	SPARK IGNITOR	X	X
11	61638722	FUSE HOLDER	X	X
12	61756322	TERMINAL BLOCK COVER	X	X
13	636173	TERMINAL BLOCK	X	X
14	620080	LABEL- TERMINAL BLOCK	X	X
15	61395922	STRAIN RELIEF	X	X
16	61546822	MALE CONNECTOR	X	X
17	635968	GAS LINE-BURNER	X	X
18	61745122	AC CORD	X	X
19	636154	GAS LINE -INLET	X	X
20	61110922	#8-18 X 3/8 PHIL. TRUSS HEAD (TYPE AB)	X	X
21	61572922	SCREW #6-20 X 3/8" PHILLIPS PAN HEAD (TYPE AB) TAPPING	X	X
22	61654622	FUSE 3AG GLASS BODY FAST_ACTING	X	X
23	61440522	FUSE 20AG GALSS BODY FAST_ACTING	X	X
24	623972	SPEED NUT, NO. 2	X	X
25	621308	NUT, ATTACHMENT	X	X
26	619851	AC CORD LABEL	X	X
NS	61722922	SPARK ELECTRODE	X	X
NS	636078	THERMOCOUPLE	X	X
NS	636061	WIRE ASSEMBLY, RED	X	X
NS	636062	WIRE ASSEMBLY, BLUE	X	X

NS NOT SHOWN

PART IS NO LONGER AVAILABLE