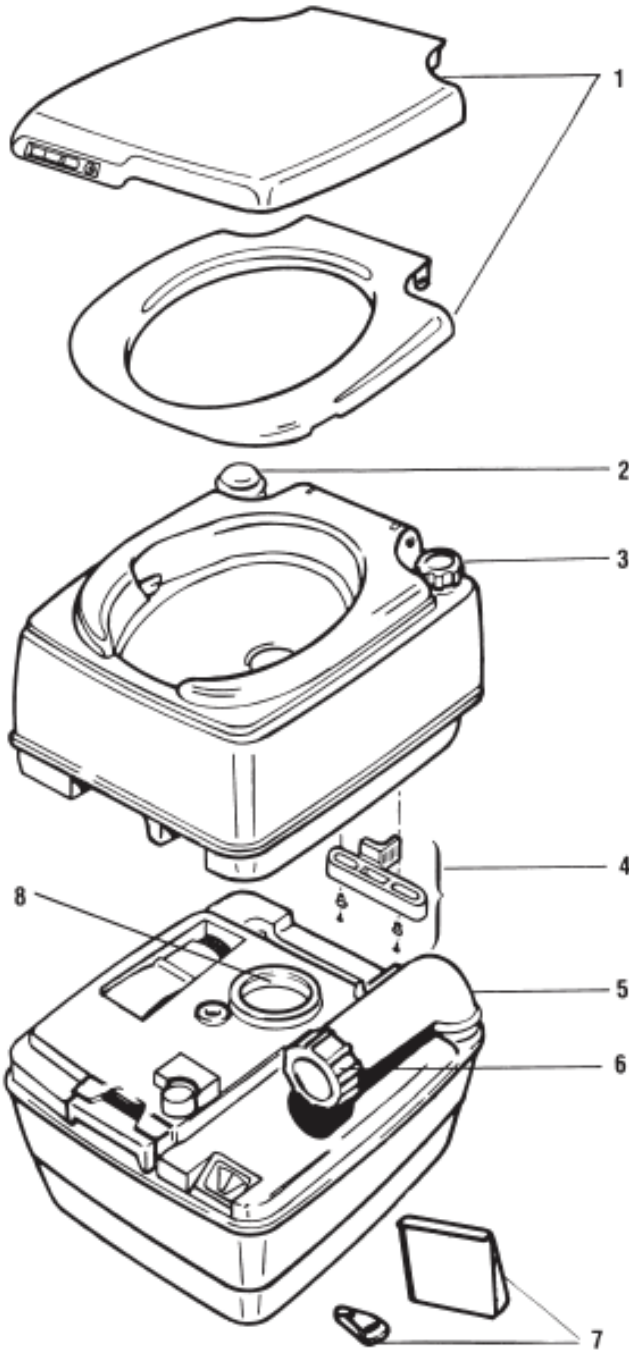


# Porta Potti®

## 135/135 Marine/155/155SL

Portable, Two-Piece,  
Fresh Water Flush Toilet



Key No.	Part No.	Description
1	N/A	Seat and Cover Assembly – Parchment
2	0786262	Bellows Assembly
	07862	Superseded by 0786262
	07024	Inlet Tube Replacement Kit
3	35804	No-Spill Water Fill Cap
4	N/A	Locking Latch Assembly – Automatic
5	0749262	Pour-Out Spout
	07492	Superseded by 0749262
6	0749362	Pour-Out Spout Cap
	07493	Superseded by 0749362
7	35800	Marine Hold Down Brackets (For Units with Notched Waste Holding Tanks)
8	07101	Lip Seal

Not Shown	
Part No.	Description
29311	Flush Tube

Not available

\* Limited Availability