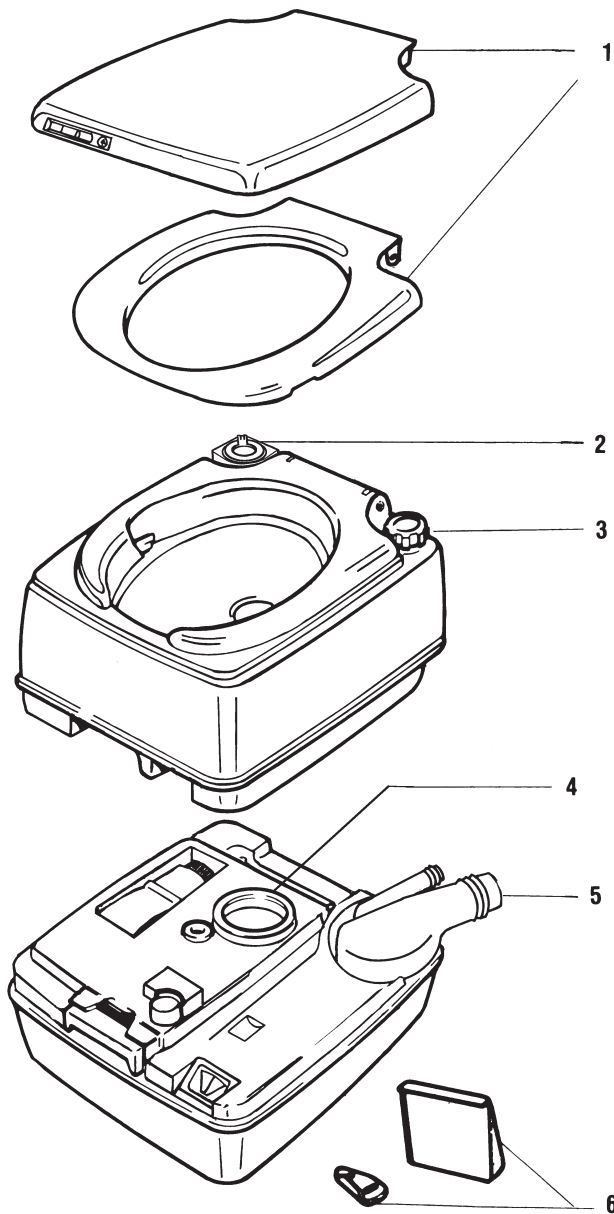


Porta Potti® 365/365 MSD

Portable, Two-Piece,
Fresh Water Flush Toilet



Key No.	Part No.	Description
1	0733179*	Seat and Cover Assembly (PP 735)
	07331	<i>Superseded by 0733179</i>
2	25818	Piston Pump Assembly (PP 345)
3	35804	No-Spill Water Fill Cap
4	07101	Lip Seal
5	N/A	<i>Pump-Out Spout (PP 465 MSD)</i>
6	92922111	Hold Down Kit (PP 365 MSD)
	35801	<i>Superseded by 92922111</i>

Not Shown	
Part No.	Description
29311	Flush Tube
0749262	Pour-Out Spout
07492	<i>Superseded by 0749262</i>
0749362	Pour-Out Spout Cap
07493	<i>Superseded by 0749362</i>

■ Not available

* Limited Availability