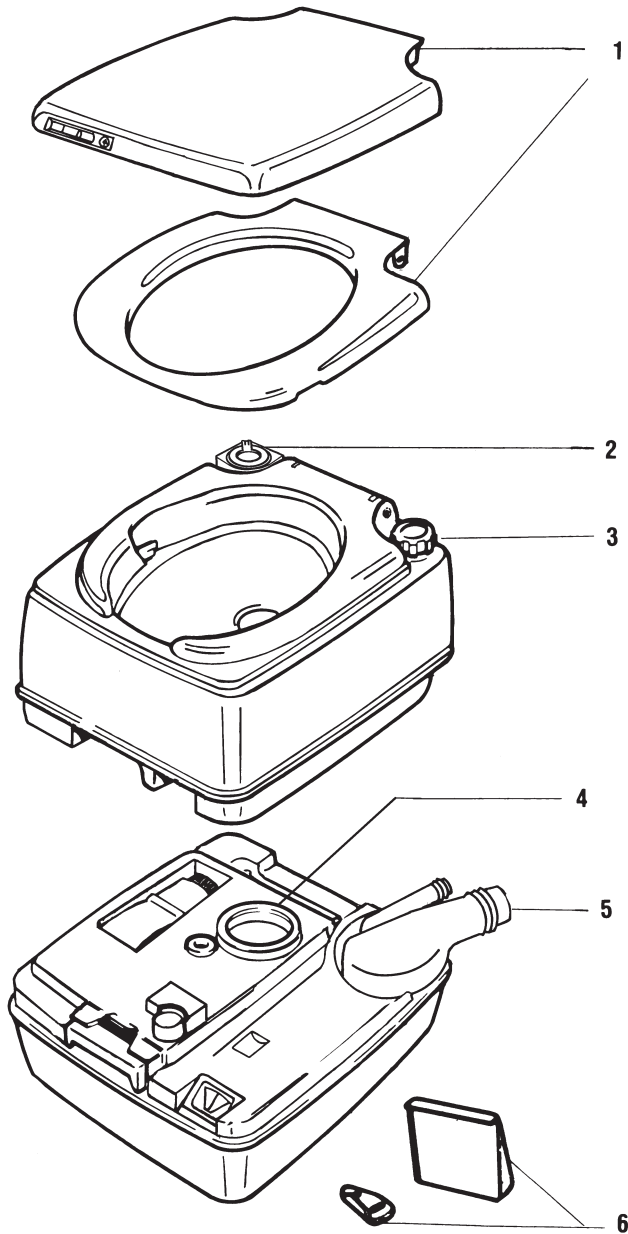


# Porta Potti®

## 465/465 MSD

Portable, Two-Piece,  
Fresh Water Flush Toilet



Key No.	Part No.	Description
1	0731779	Seat and Cover Assembly
	07317*	Seat and Cover Assembly
2	25806	Button Housing
	25807	Pump Housing
3	35804	No-Spill Water Fill Cap
4	07101	Lip Seal
5	N/A	Pump-Out Spout (PP 465 MSD)
6	92922111	Hold Down Kit (PP 365 MSD)
	35801	Superseded by 92922111

Not Shown	
Part No.	Description
25808	Flush Tube
0749262	Pour-Out Spout
07492	Superseded by 0749262
0749362	Pour-Out Spout Cap
07493	Superseded by 0749362

Not available

\* Limited Availability