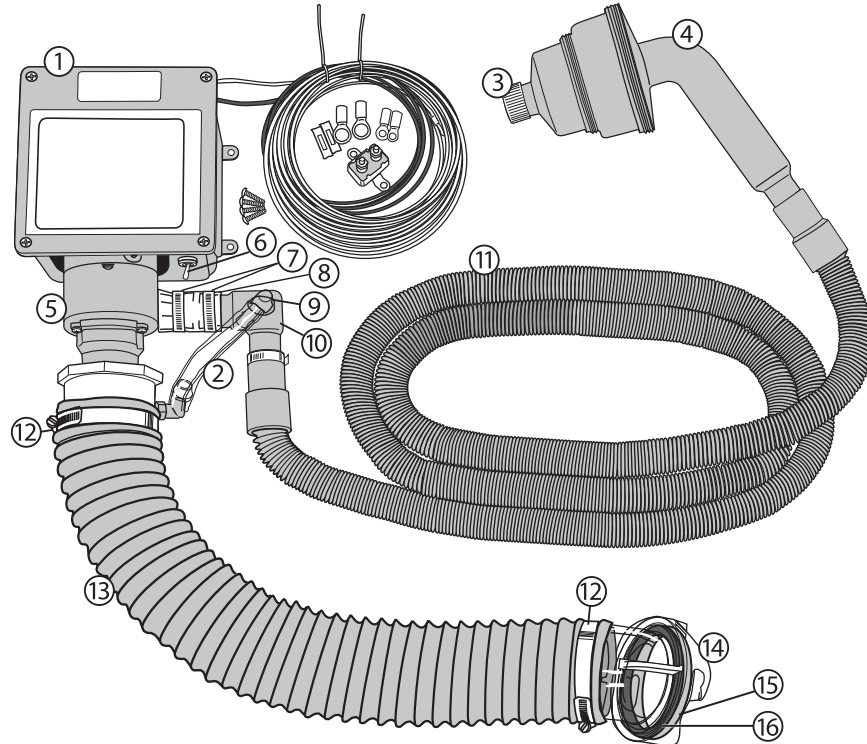


# Sani-Con<sup>®</sup> 62-5800 Stock

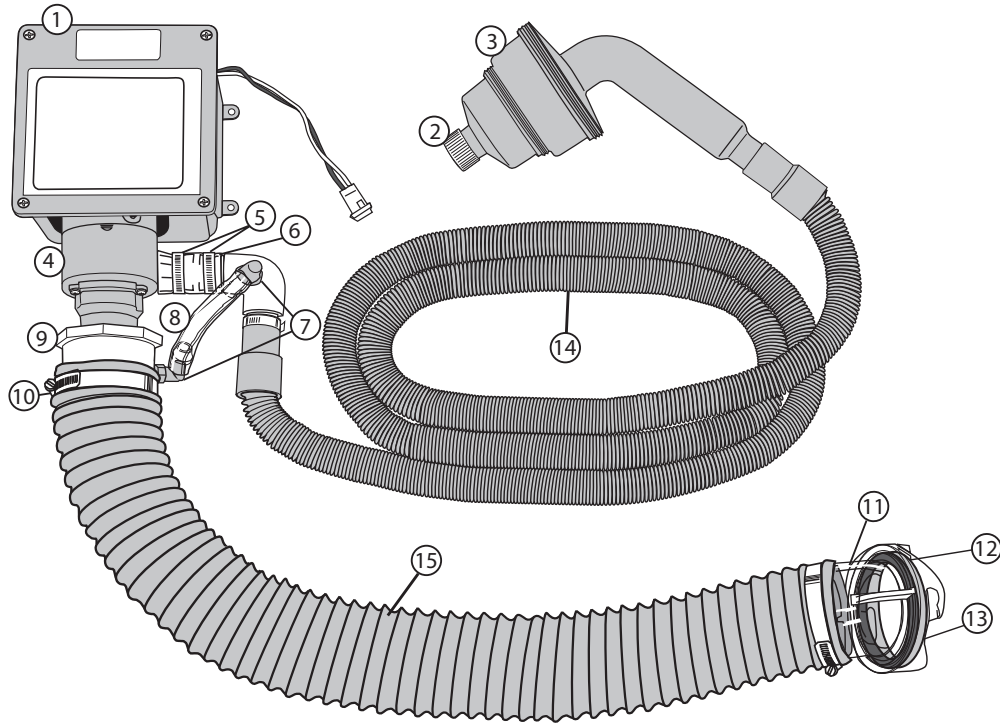


Key No.	Part No.	Description
1	70432	Mounting Box
2	70467	Grey Water Bypass Hose
3	70402	Nozzle Cap
4	70400	Nozzle Assembly with Cap
5	N/A	Macerator Pump - 1.5 in. Inlet
6	70443	Switch
7	70439	1.5 in. Worm Clamp
8	70429	Hose - 1 in. x 3 in.
9	70440	Barbed Elbow
10	70466	90° Elbow
11	70424	21 ft. Retractable Hose
12	70438	3 in. Worm Gear Clamp
13	70421	24 in. Inlet Hose
14	70407	Clear 45° Adapter with O-Rings
15	70415	3 in. Large Round O-Ring
16	70417	3 in. Large Flat O-Ring

Not Shown	
Part No.	Description
70425	1 in. x 10 ft. Retractable Discharge Hose
70426	1 in. x 50 ft. Fixed Discharge Hose
70475	Impeller with Gaskets
70476	Gasket Kit

 Not available

# Sani-Con<sup>®</sup> 62-5800-35/45

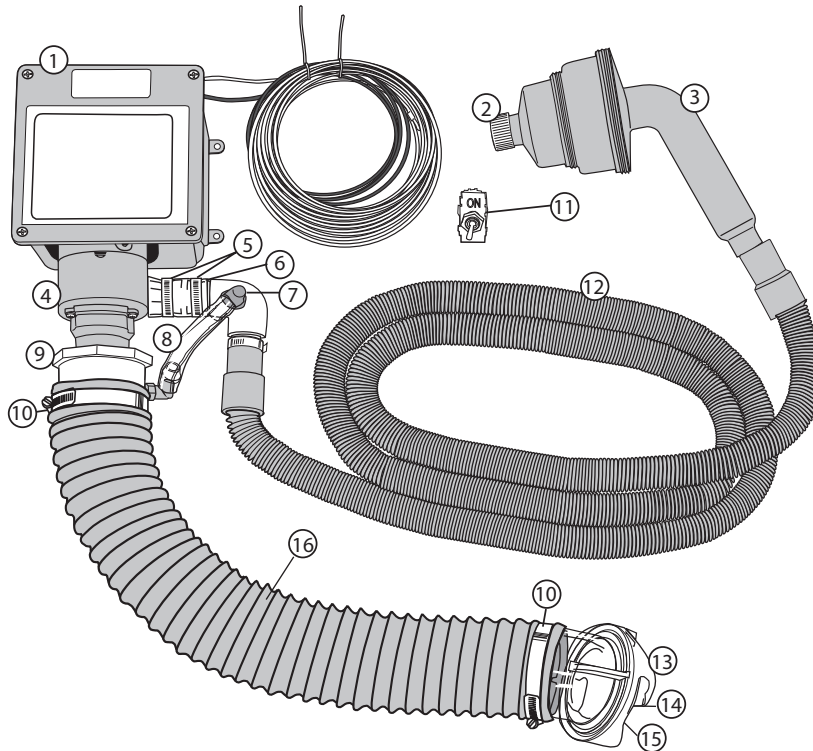


Key No.	Part No.	Description
1	70432	Mounting Box
2	70402	Nozzle Cap
3	70400	Nozzle Assembly with Cap
4	N/A	Macerator Pump – 1.5 in. Inlet
5	70439	1.5 in. Worm Clamp
6	70429	Hose – 1 in. x 3 in.
7	70440	Barbed Elbow
8	70467	Grey Water Bypass Hose – 5 in. Long
9	70442	Bushing 2.5 in. Slip, 1.5 in. Female Pipe Thread, .5 in Barb
10	70438	3 in. Worm Gear Clamp
11	70407	Clear 45° Adapter with O-Rings
12	70416	3 in. Small Round O-Ring
13	70418	3 in. Small Flat O-Ring
14	70424	21 ft. Retractable Hose

Not Shown	
Part No.	Description
70425	1 in. x 10 ft. Retractable Discharge Hose
70426	1 in. x 50 ft. Fixed Discharge Hose
70475	Impeller with Gaskets
70476	Gasket Kit

 Not available

# Sani-Con<sup>®</sup> 62-5800-21CC

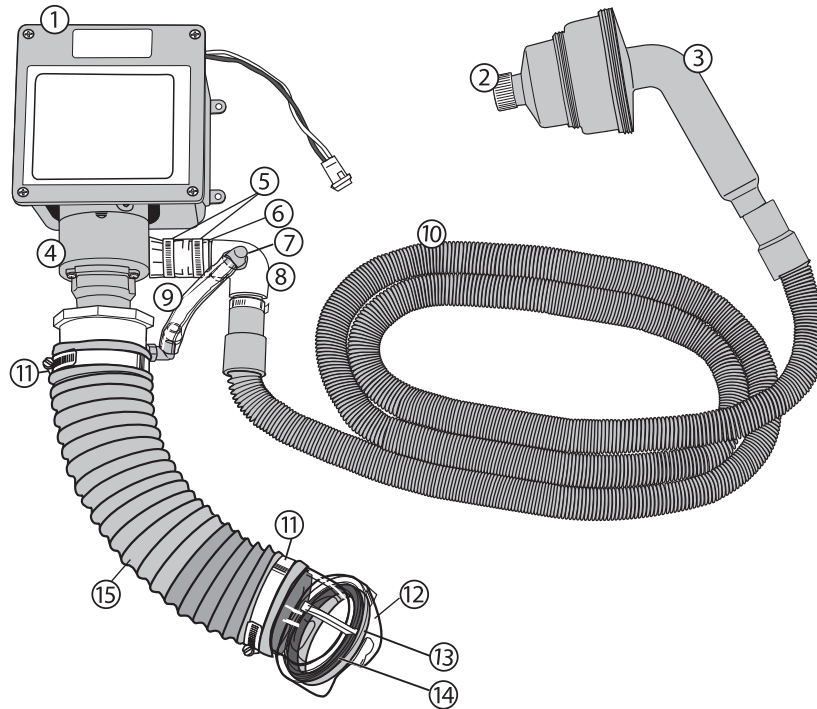


Key No.	Part No.	Description
1	70432	Mounting Box
2	70402	Nozzle Cap
3	70400	Nozzle Assembly with Cap
4	N/A	Macerator Pump – 1.5 in. Inlet
5	70439	1.5 in. Worm Clamp
6	70429	Hose – 1 in. x 3 in.
7	70440	Barbed Elbow
8	70467	Grey Water Bypass Hose – 5 in. Long
9	70442	Bushing 2.5 in. Slip, 1.5 in. Female Pipe Thread, .5 in. Barb
10	70438	3 in. Worm Gear Clamp
11	70443	Switch
12	70424	21 ft. Retractable Hose
13	70407	Clear 45° Adapter with O-Rings
14	70415	3 in. Large Round O-Ring
15	70417	3 in. Large Flat O-Ring
16	70420	21 in. Inlet Hose

Not Shown	
Part No.	Description
70425	1 in. x 10 ft. Retractable Discharge Hose
70426	1 in. x 50 ft. Fixed Discharge Hose
70475	Impeller with Gaskets
70476	Gasket Kit

 Not available

# Sani-Con<sup>®</sup> 62-5800-12

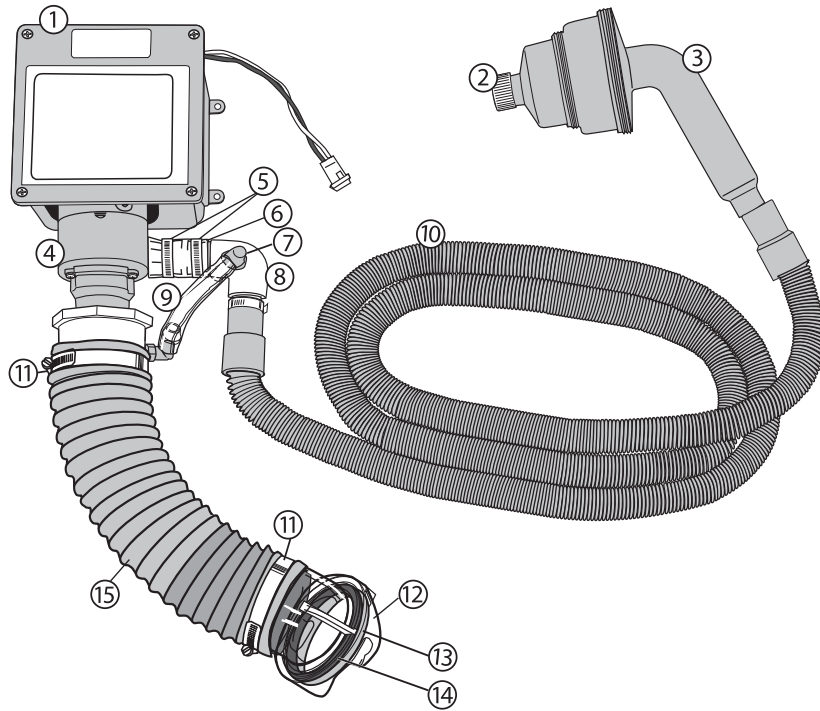


Key No.	Part No.	Description
1	70432	Mounting Box
2	70402	Nozzle Cap
3	70400	Nozzle Assembly with Cap
4	N/A	Macerator Pump – 1.5 in. Inlet
5	70439	1.5 in. Worm Clamp
6	70429	Hose – 1 in. x 3 in.
7	70440	Barbed Elbow
8	70466	90° Elbow
9	70467	Grey Water Bypass Hose – 5 in. Long
10	70424	21 ft. Retractable Hose
11	70438	3 in. Worm Gear Clamp
12	70366	Clear Straight Adapter with O-Rings
13	70416	3 in. Small Round O-Ring
14	70418	3 in. Small Flat O-Ring
15	70419	14 in. Inlet Hose
16	70422	35 in. Inlet Hose

Not Shown	
Part No.	Description
70425	1 in. x 10 ft. Retractable Discharge Hose
70426	1 in. x 50 ft. Fixed Discharge Hose
70475	Impeller with Gaskets
70476	Gasket Kit

 Not available

# Sani-Con<sup>®</sup> 62-5800-10/45



Key No.	Part No.	Description
1	70432	Mounting Box
2	70402	Nozzle Cap
3	70400	Nozzle Assembly with Cap
4	N/A	Macerator Pump – 1.5 in. Inlet
5	70439	1.5 in. Worm Clamp
6	70429	Hose – 1 in. x 3 in.
7	70440	Barbed Elbow
8	70466	90° Elbow
9	70467	Grey Water Bypass Hose – 5 in. Long
10	70424	21 ft. Retractable Hose
11	70438	3 in. Worm Gear Clamp
12	70407	Clear 45° Adapter with O-Rings
13	70415	3 in. Large Round O-Ring
14	70417	3 in. Large Flat O-Ring
15	70419	14 in. Inlet Hose
16	70422	35 in. Inlet Hose

Not Shown	
Part No.	Description
70425	1 in. x 10 ft. Retractable Discharge Hose
70426	1 in. x 50 ft. Fixed Discharge Hose
70475	Impeller with Gaskets
70476	Gasket Kit

Not available