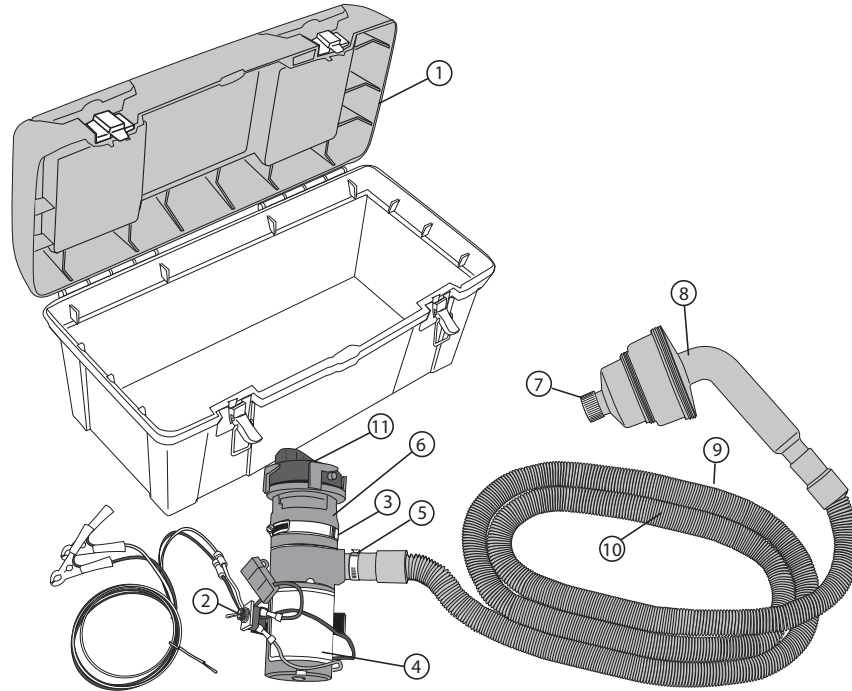


Sani-Con[®] Tank Buddy



Key No.	Part No.	Description
1	70450	Tank Buddy Box
2	70444	Toggle Switch
3	70438	3 in. Worm Gear Clamp
4	N/A	Macerator Pump
5	70439	1.5 in. Worm Clamp
6	70408	Straight Adapter, No Barb
7	70402	Nozzle Cap
8	70400	Nozzle Assembly with Cap
9	70425	10 ft. Fixed Length Hose
10	70424	21 ft. Retractable Hose
11	40536	Cap

Not Shown	
Part No.	Description
70426	1 in. x 50 ft. Fixed Discharge Hose
70422	Bushing Kit
70477	Impeller with Gaskets
70478	Gasket Kit
70468	Grey Water Bypass Hose – 9 in. Long
70535	Threaded Bayonette with Grey Water Bypass
70405	Non-Threaded Bayonette with Grey Water Bypass, .5 in. Barb

■ Not available