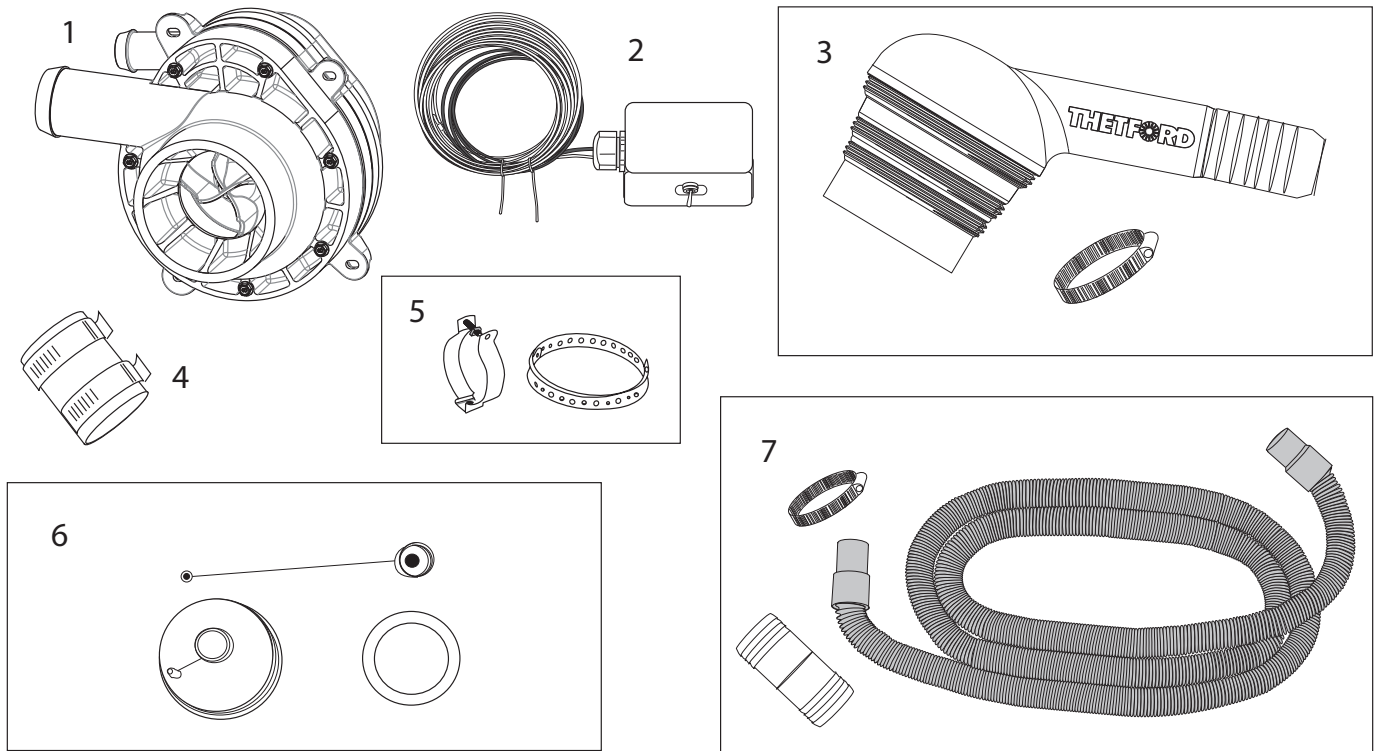


Sani-Con[®] Turbo

500/500-S

Permanent Direct Mount



Key No.	Part No.	Description
1	97540	Replacement Pump
2	97603	Switch Box Kit
3	97520	Nozzle with Clamp
4	97601*	Rubber Coupling
5	97602	4 in. I.D. Pipe Hanger Kit
6	97514	Cap, Drip Cap, and Nozzle Gasket
7	97521	21 ft. Hose, Union, and Clamp

 Not available

* Limited Availability