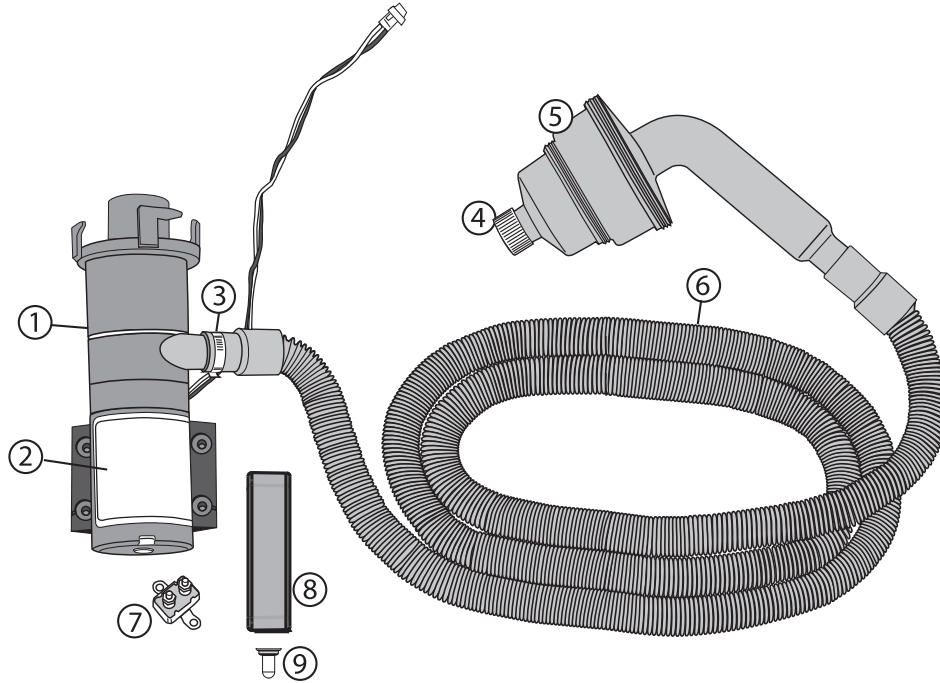


Sani-Con[®] 62-8103M/21

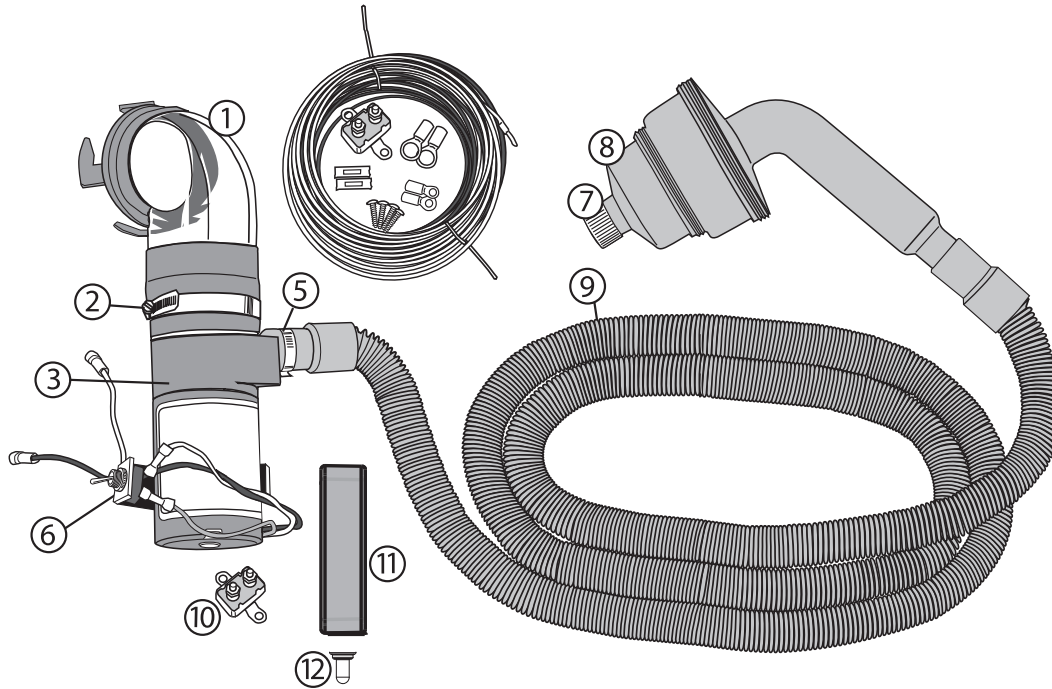


Key No.	Part No.	Description
1	70412	Straight Bayonet with 1.5 in. Female Pipe Thread, No Barb
2	N/A	Macerator Pump – 1.5 in. Inlet
3	70439	1.5 in. Worm Clamp
4	70402	Nozzle Cap
5	70400	Nozzle Assembly with Cap
6	70425	10 ft. Fixed Length Hose
7	70430	Circuit Breaker (Post 3/1/11)
8	70443	Switch Box Assembly (Post 3/1/11)
9	70531	Switch Boot (Post 3/1/11)

Not Shown	
Part No.	Description
70424	1 in. x 21 ft. Retractable Discharge Hose
70426	1 in. x 50 ft. Fixed Discharge Hose
70475	Impeller with Gaskets
70476	Gasket Kit
70408	3 in. Bayonette, O-Rings, No Barb

 Not available

Sani-Con[®] 62-5800-6004 HBFT/90

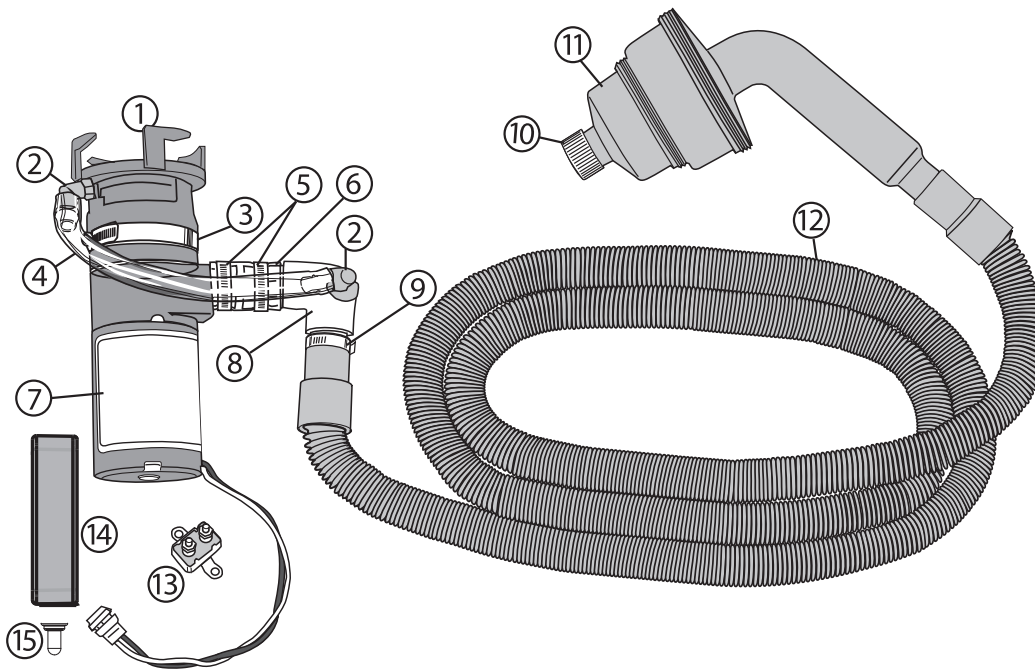


Key No.	Part No.	Description
1	N/A	90° Clear/Blue Bayonet Adapter (Pre-3/1/11)
	70530	90° Clear/Blue Bayonet Adapter (Post-3/1/11)
2	70438	3 in. Worm Gear Clamp
3	N/A	Macerator Pump – 3 in. Inlet (Pre-3/1/11)
	N/A	Macerator Pump – 3 in. Inlet (Post-3/1/11)
5	70439	1.5 in. Worm Clamp
6	70444	Toggle Switch
7	70402	Nozzle Cap
8	70400	Nozzle Assembly with Cap
9	70424	21 ft. Retractable Hose
10	70430	Circuit Breaker (Post 3/1/11)
11	70443	Switch Box Assembly (Post 3/1/11)
12	70531	Switch Boot (Post 3/1/11)

Not Shown	
Part No.	Description
70425	1 in. x 10 ft. Retractable Discharge Hose
70426	1 in. x 50 ft. Fixed Discharge Hose
70475	Impeller with Gaskets
70478	Gasket Kit (Pre-3/1/11)
70476	Gasket Kit (Post-3/1/11)

 Not available

Sani-Con[®] 62-5800-6004 HB/HBCC



Key No.	Part No.	Description
1	70405	Bayonet with .5 in. Grey Water Bypass Barb (Pre-3/1/11)
	70535	Bayonet with .5 in. Grey Water Bypass Barb (Post-3/1/11)
2	70440	Barbed Elbow
3	70438	3 in. Worm Gear Clamp
4	70468	Grey Water Bypass Hose - 9 in. Long
5	70439	1.5 in. Worm Clamp
6	70429	Hose - 1 in. x 3 in.
7	N/A	Macerator Pump - 3 in. Inlet (Pre-3/1/11)
	N/A	Macerator Pump - 3 in. Inlet (Post-3/1/11)
8	70466	90° Elbow
9	70439	1.5 in. Worm Clamp
10	70402	Nozzle Cap
11	70400	Nozzle Assembly with Cap
12	70424	21 ft. Retractable Hose
13	70430	Circuit Breaker (Post-3/1/11)
14	70443	Switch Box Assembly (Post-3/1/11)

Not Shown	
Part No.	Description
70425	1 in. x 10 ft. Retractable Discharge Hose
70426	1 in. x 50 ft. Fixed Discharge Hose
70477	Impeller with Gaskets
70478	Gasket Kit (Pre-3/1/11)
70476	Gasket Kit (Post-3/1/11)

 Not available