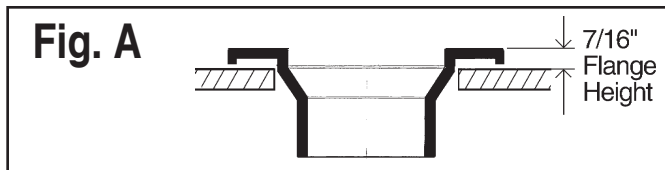


RV Toilet Service Parts for Aria Deluxe II

Notes:

- Read all instructions before beginning work.
- Spacer(s) must be used if distance from top of Closet Flange to floor is less than 7/16". Add Spacer(s) to reach exactly 7/16" (not greater) (Fig. A).
- Spacer orientation does not matter.

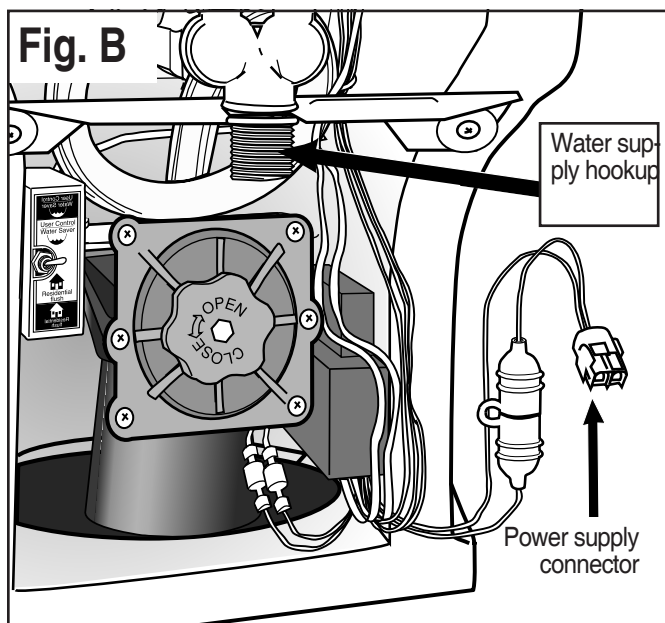


Tools needed

- Drill with 3/16-Inch Drill Bit
- Flat-blade screwdriver • 7/16-Inch Wrench
- Silicone Sealant
- 1/2-Inch Ceramic Drill Bit with Locking Ring (available at a local hardware store) if mounting on **Ceramic Tile** (see **Special Section**)

To Add New Spacer (replacing an existing toilet with a new Aria)

1. Turn off RV water supply per RV Owner's Manual.
2. Disconnect Water Supply Line from existing toilet per its Owner's Manual. Remove toilet from floor.
3. Remove old Closet Flange Seal if found in floor at Closet Flange. Discard.

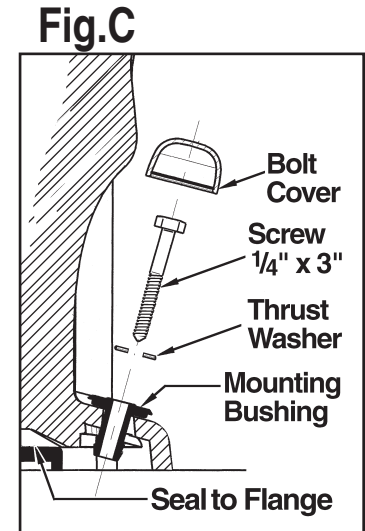


Note: See **Special Section** now if installing Aria on Ceramic Tile.

4. Apply a generous bead of silicone sealant (not supplied) around underside(s) of Spacer(s). Affix Spacer(s) to floor Flange.

To Mount Aria To Floor (Refer to Fig. C)

1. Secure new Closet Flange Seal, lip side down, to Aria.
2. Position Aria over floor Flange/Spacer(s). Pilot drill holes with 3/16" bit. Screw Closet Lag Screws into wood sub-flooring until Toilet is totally secure.
3. Connect Water Supply Line (Fig. B).
4. Connect 12-volt power supply.
5. Secure Bolt Caps.
6. Turn on RV's water supply. Press toilet flush button to close blade and to flush test.



Special Section:

Spacer(s) Installation on Tile

1. Position new Aria over center of Closet Flange. Confirm that Aria is lined up/centered properly by looking through Blade opening.
2. Mark Lag Screws drill locations on floor. Remove Aria.
3. Measure Tile thickness. Set locking ring on Drill Bit to that dimension to assure that you drill only through Tile and **not wood sub-flooring**.
4. Drill holes on both sides.
5. Completely clean (and dry) flooring installation area.
6. Pick up with No. 4 under **To Add New Spacer** Section.

