

Hub Screw Replacement Part #31170

Notes

- Read all instructions before beginning work.
- Wear gloves during and wash your hands following the repair procedure.

Tools needed

- Phillips Screwdriver
- Flat-Bladed Screwdriver
- Clamp-type Pliers
- Slip-joint Pliers
- 1/2" Wrench
- Old towel

To Gain Access:

1. Turn off RV water supply per RV Owner's Manual, and disconnect line (Fig. C).
2. Remove Shroud. From in front of toilet, push in side ends of rear of Shroud and pull toward Foot Pedal (Fig. A).
3. Remove 1/2-inch Closet Bolt nuts holding toilet to floor. Lift and rotate Toilet sufficiently to gain access to Pivot Hub (Fig. B).
4. Remove and discard Closet Flange Seal. Cover holding tank opening to contain odor.
5. Check the state of the Blade Driver Mechanism to choose which procedure to follow.

If Blade Driver Mechanism is still assembled as shown in Fig. B:

1. Use the clamp-type pliers to hold the driver Mechanism together.
2. Remove old Pivot Hub Screw (Phillips Screwdriver).
3. Install new Pivot Hub Screw with Flat Blade Screwdriver, tightening securely (18-inch pounds).

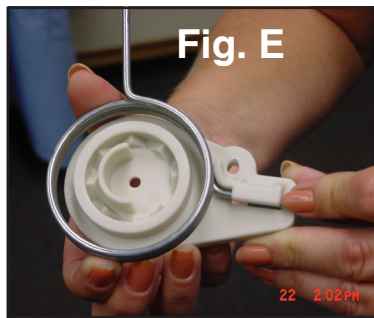
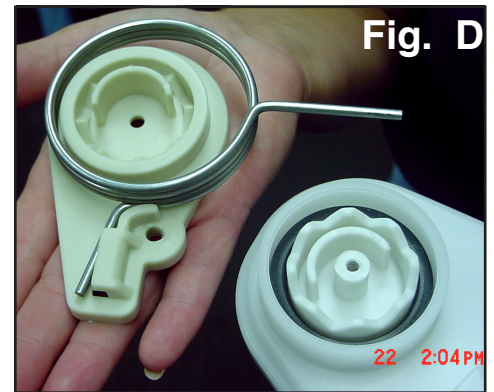
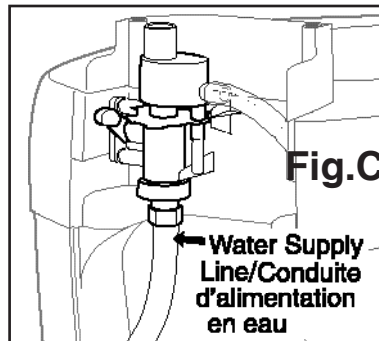
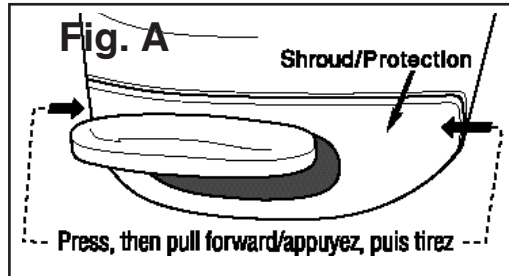
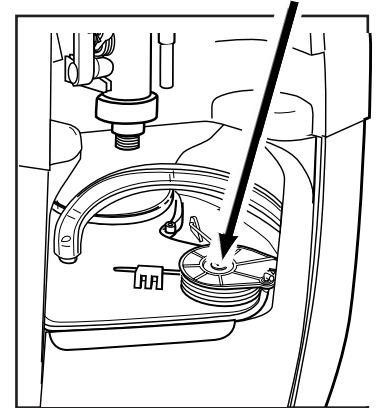
- Skip down to "To Reinstall Toilet."

If Blade Driver Mechanism is NOT assembled as shown in Fig. B, reassemble as follows:

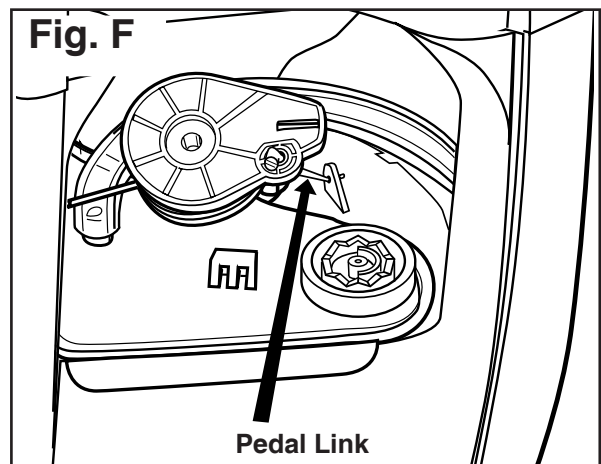
CAUTION: Be aware of Mechanism Spring's position. It has potential to release suddenly and forcefully, causing parts to fly. Take precautions to protect eyes and fingers from harm!

1. Remove Seat & Cover Assembly by pulling straight up. Set aside.
2. Take note of half circles of Pivot Hub and Mechanism which will make a complete circle when assembled (Fig. D).

Fig. B Pivot Hub Screw



3. Assemble short end of spring onto Pivot Hub as shown in Fig. E.
4. Insert Pedal Link end into hole in Pivot Hub as shown in Fig. F.
5. Install Pivot Hub onto Mechanism so half-circles align.
6. Install new Hub Screw, tightening securely (18-inch pounds) (Fig. B).



Hub Screw Replacement Part #31170

Remplacement d'Ecrou du moyeu pivotant Pièce n° 31170

Instructions page 2/page 2 des instructions

- Using Slip Joint Pliers, pull spring back and place into retainer (Fig. G). **Be aware of spring's potential for rapid recoil and keep fingers clear of spring arm!**
- Check pedal for function (blade opens and closes freely).

To Reinstall Toilet

- Install new Closet Flange Seal, lip side down, and reseal Toilet to floor.
- Rebolt toilet to floor.
- Reconnect Water Supply Line.
- Turn on RV water supply. Check for leaks at back of toilet. Flush test toilet.
- Replace Seat & Cover Assembly on toilet.
- Reattach Shroud. From in front of toilet, slide Shroud through Pedal. (Pedal may need to be lowered slightly.) Push in both side ends at rear of Shroud, inserting tabs fully into toilet base (Fig. H). Tap Shroud in at both sides of Pedal to snap/lock front tabs. Be sure all tabs are secure and no space is visible between Shroud and Bowl.

