



Owner's Manual

For models NV10DCX - 10 cubic foot and NV8DCX- 8 cubic foot, DC electric refrigerators.

The letter "X", in the model numbers above, stands for letters or numerals which means a refrigerator option.

English

Table of Contents

Norcold DC Models - Warranty Policy	2
Norcold DC Models - Warranty Information.....	3
Norcold DC Models - Warranty Questions	3
Safety Awareness.....	3
Safety Instructions.....	4
About Your Refrigerator	5
Usage.....	5
Storage Volume.....	5
Food Compartment	5
Freezer Compartment.....	5
Door Latch for Travel.....	5
Interior Light	5
Crispers	6
Door Bins.....	6
Adjustable Shelves.....	6
Operation.....	6
Controls.....	6
Shut down	6
Refrigerator Care Checklist	7
Defrosting	7
Cleaning	8
Door Sealing.....	8
Refrigerator Storage.....	8
Troubleshooting	9
If refrigerator does not cool correctly in DC mode.....	9
Over heating shut-off device operation	9
Low voltage protection system	9
Over current protection system	9
Refrigerator Maintenance Checklist	10
Replacement Parts	10
Wiring Pictorial.....	10

NORCOLD DC ONLY Models - One Year Limited Warranty

Norcold, LLC. warrants for a period of one (1) year from the original date of purchase that Norcold, LLC. will repair or replace its DC refrigerators.

Limitations of Warranty

1. This warranty is the only warranty for Norcold DC refrigerators. This warranty does not cover glassware, electric light bulbs or replaceable fuses.
2. This warranty does not apply to refrigerators or component parts that have been subjected to misuse, improper installation, abnormal service, transit damage, recharging of the compressor, accident, fire, improper repair, tampering or abuse.
3. The duration of any implied warranty is limited to one (1) year.
4. Some states do not allow limitations on how long an implied warranty lasts, so the above limitation may not apply to you.

Limitations of Remedy

1. The responsibility of Norcold under this or any warranty is limited to the repair or replacement (at Norcold's option) of any defective refrigerator or component part.
2. In no event and under no circumstances shall Norcold be responsible for any other charge whatsoever, including but not limited to charges or claims for labor, lost business, lost time, lost profits, loss of use, or any kind of incidental or consequential damages, however denominated or described.
3. Some states do not allow for the exclusion or limitation of incidental or consequential damages, so the above exclusion may not apply to you.

To obtain warranty service, contact Norcold Customer Service at our website www.thetford.com/us.

Legal Rights

This warranty gives you specific legal rights, and you may have other legal rights which vary from state to state.

Norcold DC only and AC/DC Models - Warranty Information

Your refrigerator is made to provide the ultimate in cooling satisfaction and will serve you reliably in the years to come. Norcold refrigerators offer a standard limited one year warranty.

Write the model number and serial number below for future reference. These numbers are on the serial plate in the refrigerator. The serial plate is located in the fresh food compartment on the top left-hand side. Use these numbers when receiving service or in any correspondence concerning your refrigerator.

Model number _____ Serial number _____

If a problem occurs with your refrigerator, contact any of the service centers throughout the United States and Canada. To find an authorized Norcold Service Center near you, please visit our web site at www.norcold.com.

Norcold is committed to providing products that are in harmony with the environment. Your Norcold refrigerator meets all environmental safety standards.

Norcold DC only and AC/DC Models - Warranty Questions

This warranty is the only warranty for your Norcold refrigerator. There are no other express warranties. The only uses for this product are described in this manual. Part or model specifications are subject to change without notice.

What does this warranty cover?

- This warranty covers labor and freight (ground service only) and costs incurred in removing and reinstalling the refrigerator when necessary to replace a defective part and any parts replaced under warranty.

What is not covered by this warranty?

- Travel expenses for bringing the refrigerator to an authorized Norcold Service Center for warranty coverage.
- Mobile fees and Diagnostic time.
- Additional costs caused by the inability to bring the refrigerator to an authorized Norcold Service Center.
- Defects which are caused by transit damage, misuse, neglect, rust, or accident.
- Manufacturing defects found at the time of purchase, parts replaced under warranty, and associated labor, which the original consumer-purchaser does not communicate to Norcold within 30 days.
- Labor, performed without need for parts replacements, which the original consumer-purchaser does not communicate to Norcold within 30 days.
- Defects in glassware, electric light bulbs, or replacement fuses.
- Defects caused by improper installation, maintenance, or adjustment.
- Normal maintenance of this refrigerator as described in this manual.
- Defects caused by the improper use of parts or parts not manufactured or supplied by Norcold for repairs or replacements to the refrigerator.
- Norcold will not be liable for any incidental or consequential loss or damage, due directly or indirectly to the use of this product. Some states do not allow the exclusion or limitation of incidental or consequential damages, so the above may not apply to you.

How long does this warranty last?

- This warranty is effective for a period of one year from the original date purchased.

What will Norcold do?

- Norcold will provide service and replacement of defective parts, at all authorized Norcold Service Centers. Norcold has the option of replacing the defective parts or the entire refrigerator. If the refrigerator is replaced, Norcold is not responsible for replacing dealer installed options or disposing of defective refrigerators.

How do you get service?

- Bring the refrigerator or RV to any authorized Norcold Service Center and show proof that the defective item is within warranty coverage.
- If you are unable to bring the refrigerator to an authorized Norcold Service Center, please email or visit our website.

What rights do you have?

- This warranty gives you specific legal rights. You may also have other rights which vary from state to state.

Safety Awareness

Read this manual carefully and understand the contents before you use the refrigerator.

Be aware of possible safety hazards when you see the safety alert symbol on the refrigerator and in this manual. A signal word follows the safety alert symbol and identifies the danger of the hazard. Carefully read the descriptions of these signal words to fully know their meanings. They are for your safety.




This signal word indicates a potentially hazardous situation, which if ignored, can cause serious personal injury, death, or property damage.



This signal word indicates a potentially hazardous situation, which if ignored, can cause minor or moderate personal injury or property damage.

Safety Instructions



- The storage of flammable materials behind or around the refrigerator creates a fire hazard. Do not use the area behind the refrigerator to store anything, especially flammable materials (gasoline, cleaning supplies, etc.) This is especially important when converting from a gas absorption refrigerator.
- Do not store any explosive substance, such as aerosol cans with flammable propellant, in this refrigerator.
- A circuit overload can result in an electrical fire if the wires and/or fuses are not the correct size. Use only the wire and fuse sizes as written in the "Installation Manual".
- Never open or damage the refrigerator circuit of the cooling system at the back or the inside of your appliance. The cooling system is pressurized and contains flammable substances.
- Component parts shall be replaced with like components and servicing shall be done by factory authorized service personnel, so as to minimize the risk of possible ignition due to incorrect parts or improper service.
- Risk of Fire and explosion with flammable refrigerant R600a. 
- Keep Ventilation openings, in the appliance or in the built -in structure, clear of obstruction.
- Do not use mechanical devices or other means to accelerate the defrosting process, other than those recommended by the manufacturer.
- Do not use electrical appliances inside the food storage compartments of the appliance, unless they are of the type recommend by the manufacturer.
- Handle, move and use the refrigerator with care to avoid either damaging the refrigerant tubing, or increasing the risk of a leak.
- Risk of child entrapment. Before you throw away your old refrigerator or freezer: Take off the doors and leave the shelves in place so that children may not easily climb inside.



- Incorrect installation, adjustment, change to, or maintenance of this refrigerator can cause personal injury, property damage, or both. Have service and maintenance work done by your dealer or by an authorized Norcold Service Center.
- Disconnect the DC power source before doing any maintenance work on the refrigerator. All service work on this refrigerator must be done by a qualified service technician.
- Do not bypass or change the refrigerator's electrical components or features.
- Do not spray liquids near electrical outlets, connections, or the refrigerator components. Many liquids are electrically conductive and can cause a shock hazard, electrical shorts, and in some cases fire.
- The rear of the refrigerator has sharp edges and corners. To prevent cuts or abrasions when working on the refrigerator, be careful and wear cut resistant gloves.
- This appliance is not intended for use by persons (including children) with reduced physical, sensory or mental capabilities, or lack of experience or knowledge, unless they have been given supervision or instruction concerning use of the appliance by a person responsible for their safety. Children should be supervised to ensure that they do not play with the appliance.
- Build-up of dust on the condenser will reduce the performance of the appliance and increase the risk of overheating of the cooling system. Have the condenser and cooling fan cleaned by qualified service personnel if you suspect poor performance.
- Risk of Fire or explosion due to flammable refrigerant used. Follow handling instructions carefully in compliance with U.S. Government Regulations.

About Your Refrigerator

Usage:

This refrigerator is made for use within a recreational vehicle. As such, it is suitable for camping and boating, but do not expose the refrigerator to rain or snow.

Storage Volume:

This refrigerator is made to store fresh and frozen foods and for making ice.

Total capacity NV10DC	10.0 cubic feet	Calculated according to ANSI/AHAM-HRF-1-1988
Total capacity NV8DC	8.4 cubic feet	Calculated according to ANSI/AHAM-HRF-1-2016



The refrigerator is made to operate within 10° off level in all directions. Operating it at more than these limits can cause damage to the cooling system, increased noise and poor cooling performance. Make sure the vehicle is level before you operate the refrigerator.

Operation During Travel:

While the refrigerator should be level when the vehicle is stopped, performance during travel is not usually affected.

Food Compartment:

Start up the refrigerator and let it cool for eight hours before loading with food. If the refrigerator does not start to cool down after about two hours, contact your dealer or an authorized Norcold Service Center.

For the best cooling performance:

- Let air move freely inside the entire food and freezer compartments.

To decrease the amount of ice that collects on the rear wall of the refrigerator freezer and fresh food.

- Cover all liquids and moist foods.
- Let all hot foods cool before putting them in the refrigerator.
- Do not open the door any longer than necessary.

Freezer Compartment:

The freezer compartment is made to keep pre-frozen food frozen and not to quick freeze food. Keep pre-frozen foods in the freezer compartment.

NOTICE

NOTE: When making ice, put the ice cube tray directly on the bottom of freezer. Do not put other items on the ice cube tray while the water is freezing. The water freezes more rapidly if the power switch / thermostat is at the coldest temperature setting.

Door Latch for Travel:

During travel, the door latch prevents the door from opening. When closing each door, push the door toward the refrigerator until you hear a "click" sound. To open each door, pull the handle away from the refrigerator.

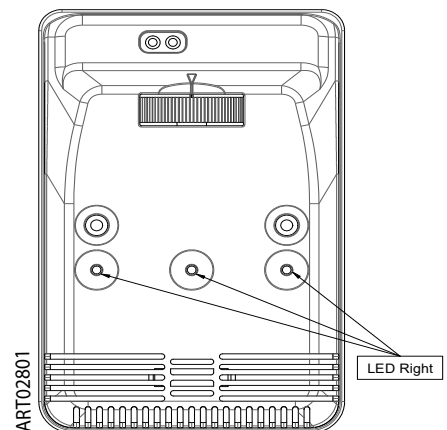
Interior Light:

The interior light is located on the top of the fresh food compartment.

The interior light comes on when the refrigerator is ON and the door is open.

To replace the bulb:

1. Use tape to hold the light switch down, which removes power from the light circuit.
2. Remove the electrical cover with a screwdriver. The LED light is integrated with the main Power Control Board (PCB). Remove the main PCB (See ART02801).
3. Unplug wire harness connector.
4. Install the replacement PCB



5. Install the electrical cover.

6. Remove the tape from the infrared lamp.

Crisper(s):

The crisper(s) are located at the bottom of the fresh food compartment and supply a storage area to preserve fruit and vegetable freshness. Make sure that you always push the crispers fully in.

NOTICE Do not wash the crispers in a dishwasher. The crispers are not dishwasher safe.

Door Bins:

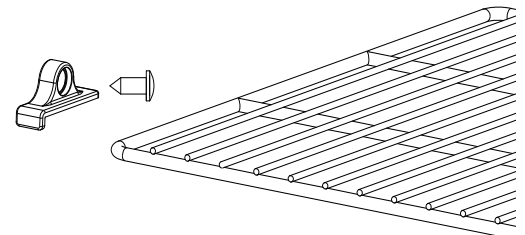
You may put the door bins of the freezer and fresh food compartment in a location that best meets your needs. To remove the bins, lift them over the locator and pull them away from the door. To install the bins, push them onto the locator.

NOTICE Do not wash the door bins and bin slides in a dishwasher. The door bins and bin slides are not dishwasher safe.

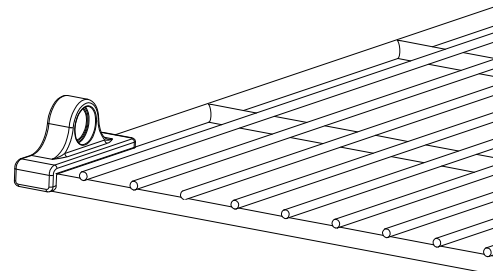
Adjustable Shelves:

The shelves in the freezer and the fresh food compartment are made so you can remove them or move them. To remove or move each shelf of the fresh food compartment and freezer: (See ART02802A/B)

- Remove the screw from the retainer of each shelf at the side of the refrigerator.
- Slide the retainer out of the slot (cabinet shelves only)
- Pull each shelf forward out of the slot.
- Push each shelf fully into the slot that you wish.
- Slide the retainer into the slot (cabinet shelves only)
- Attach the retainer with the screw.



ART02802A

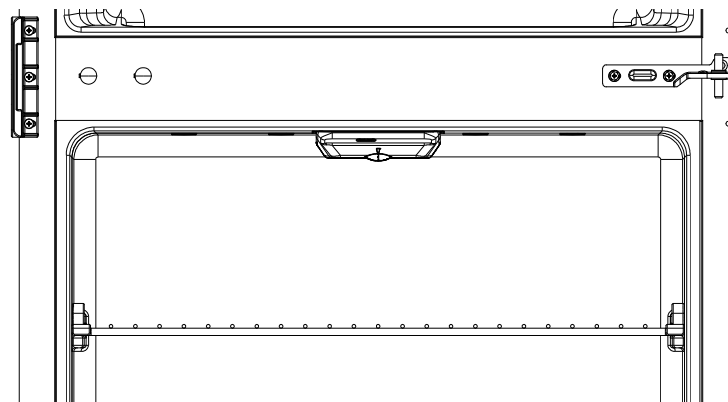


ART02802B

Operation

Controls:

- The thermostat is located in the top of the cabinet compartment, adjust the thermostat knob from 1 to 6 to control the temperature.
- 0 is force off setting. When it is rotated to the 0 and does not change for 5 seconds, it indicates that it has entered the force off state.
- When in force off state, the compressor stops running, the condenser fan stops running, and the LED light goes out.



ART02800



Do not operate the refrigerator when the ambient temperature is above 140°F as this can cause permanent damage to the compressor. Operating the refrigerator when the ambient temperature is higher than 110°F can result in poor cooling performance.

DC Operation Guidelines:

Refer to the installation Manual for DC Operation requirements and guidelines.

Refrigerator Care Checklist

Your refrigerator will give you years of trouble-free service if you do these simple checks every three to six months:

- Keep the food compartment and the freezer clean. See "Cleaning".
- Defrost the refrigerator as necessary. See "Defrosting".
- Make sure the door seals correctly. See "Door Sealing".
- Be aware of any cooling changes that are not because of weather, loading, or thermostat changes. If changes occur, contact your dealer or an authorized Norcold Service Center.
- Make sure the air flow in the lower intake vent and out the upper exhaust vent is not blocked or decreased.

Defrosting:

The freezer walls of the refrigerator operate at below freezing temperature and will naturally form frost from humidity, which is always present in the air. The humidity inside the refrigerator increases:

- with higher outside temperature and humidity.
- with the storage of non-sealed fresh foods or warm foods.
- with the amount of time that the door(s) are open.
- with any air leakage into the refrigerator.

It is normal for frost to collect inside the refrigerator. Excess frost decreases the cooling performance of the refrigerator. Defrost the refrigerator as necessary:

- Remove all food from the refrigerator.
- Turn the refrigerator OFF.



Defrosting the refrigerator makes excess water inside the refrigerator, which falls onto the drip tray and flows to the outside of the refrigerator through the drain tube.

- Put dry towels (etc.) inside the refrigerator to help remove the excess water.



High temperatures can cause the inside surfaces of the refrigerator to warp or melt. Do not use pans of HOT water, a hair dryer, or any other high temperature devices to defrost the refrigerator. Do not use any hard or sharp objects to remove frost. Damage to the interior of the refrigerator can occur.

- To increase the speed of defrosting, put pans of WARM water in the refrigerator.
- Remove the wet towels (etc.) and dry the interior.
- Start up the refrigerator.
- Allow the refrigerator to cool down.
- Return all food to the refrigerator.

Cleaning:

A good time to clean the refrigerator is just after you defrost it.

Clean the inside of the refrigerator as often as necessary to avoid food odors:

- Remove all food from the refrigerator.

NOTICE

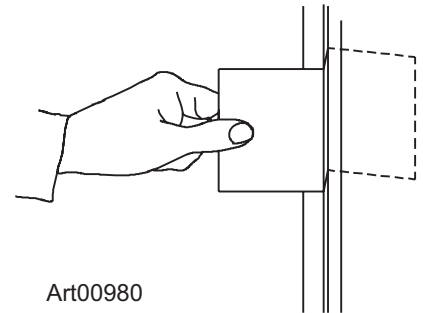
Do not use abrasive cleaners, chemicals, or scouring pads because they can damage the interior of the refrigerator.

- Wash the interior with a mild cleaner or a solution of liquid dish detergent and warm water.
- Rinse with a solution of baking soda and clean water.
- Dry with a clean cloth.
- Put all food back into the refrigerator.

Door sealing:

If the door does not seal correctly, excess frost will collect inside the refrigerator. Make sure the door seals correctly:

- Close the door on a piece of paper that is about the size of a dollar bill (See ART00980).
- Gently pull the paper.
 - You should feel a slight drag between the gasket and the cabinet.
 - Do this on all four sides of the door.
 - If you do not feel a slight drag on the paper, the door is not sealing correctly.
 - Have your dealer or an authorized Norcold Service Center correct the seal of the door.



Refrigerator Storage:

Before the refrigerator is stored for an extended (seasonal) period of time:

- Defrost and clean the interior of the refrigerator
- Leave doors open or cracked

Troubleshooting

If the refrigerator does not cool correctly:

- Make sure the thermostat knob is not in the 0 position.
- Make sure the compartment control is at the temperature setting that you wish.
- Make sure that the power source to the refrigerator is serviceable.
- Make sure that the fuse or circuit breaker is intact (See “Over current protection system”)
- Make sure that the refrigerator is correctly installed and that the built in vents are not blocked.
- Make sure that the ambient temperature is not unusually high (more than 110° F. / 43° C.) (See “Over heating shut-off device operation”).
- Make sure that the doors are closed.
- Make sure that the door gaskets are sealing correctly.
- Make sure that the air circulation inside the refrigerator is not decreased by foods or by shelves that are covered with plastic, paper, etc.
- Make sure that hot foods were not placed in the fresh food compartment of the refrigerator.
- Make sure that the freezer is defrosted.

After you make these checks, if the refrigerator does not operate, contact your dealer or an authorized Norcold Service Center.

Overheating shut-off device operation:

Operating the refrigerator in high ambient temperatures can overheat the compressor and cause premature failure of the compressor (See the label inside the refrigerator).

To protect the compressor from overheating, the refrigerator will automatically shut-off when the temperature of the power module is higher than 212° F (100° C). The refrigerator will not restart until the temperature of the power module is lower than 176° F. (80° C).

Low voltage protection system:

The voltage required to start the refrigerator initially is 10.9 volts. In order to prevent completely draining the battery, the refrigerator will automatically shut-off when the DC supply voltage becomes too low. The refrigerator will not restart until the DC supply voltages increases. These shut-off and restart voltage levels are:

12VDC Operation

Shut-off 10.4 VDC

Restart 11.8 VDC

Overcurrent protection system:

Your refrigerator has an overcurrent protection system in the electronic circuit to prevent damage to the inverter which may occur due to a reverse polarity connection.

If the refrigerator does not operate and the blue power light does not come on, check the fuse, which is located in-line with the DC connector, and the polarity of the DC power supply. If the refrigerator still does not operate, another problem can exist in the power module. Have an authorized Norcold Service Center check the refrigerator.

Refrigerator Maintenance Checklist

Read and understand the following maintenance sections of this manual.

NOTICE

Norcold is not responsible for installation, adjustment, alteration, service, or maintenance performed by anyone other than an authorized Norcold Service Center.

Have an authorized Norcold Service Center do these annual safety and maintenance checks:

- Make sure the DC voltages are correct (See the “Electrical current necessary” section).
- The wire connections must be clean, tight and free of corrosion. If any of these items are not correct:
 - A voltage drop to the refrigerator will occur.
 - The voltage drop will decrease the cooling performance of the refrigerator.

CAUTION

Disconnect the positive (+) DC power supply wire from the battery before you do a “fast charge” of the battery. Failure to disconnect the positive (+) power supply wire from the battery during a “fast charge” can cause damage to the refrigerator or other 12 volt DC appliances.

Replacement Parts

You may purchase replacement parts through your dealer or an authorized Norcold Service Center.

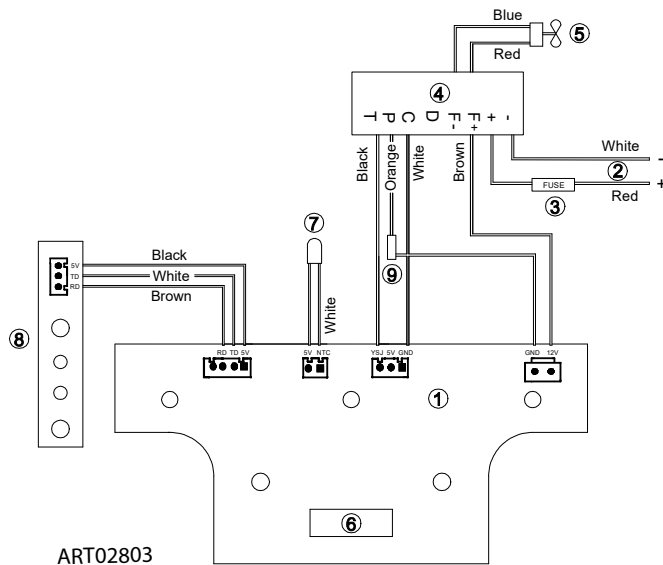
CAUTION

If the supply cord is damaged, it must be replaced by the manufacturer, its service agent or similarly qualified persons in order to avoid a hazard.

Wiring Pictorial

The parts of the wiring pictorial are (ART02803):

- | | |
|--------|--------------------------|
| 1..... | Main Control Board |
| 2..... | Input Power Supply 12VDC |
| 3..... | Fuse Wire |
| 4..... | Compressor Control Board |
| 5..... | Condenser Fan |
| 6..... | Gear Regulator |
| 7..... | Temperature Sensor |
| 8..... | Infrared Light Panel |
| 9..... | Voltage Cut-out Resistor |





Manuel de l'utilisateur

Pour les modèles de réfrigérateurs électriques à courant continu
NV10DCX - 10 pieds cubes et NV8DCX - 8 pieds cubes.

La lettre « X » dans les numéros de modèle ci-dessus tient lieu
de lettres ou de chiffres désignant une option de réfrigérateur.

Français

Table des matières

Modèles c.c. Norcold - Politique de garantie	2
Modèles c.c. Norcold - Renseignements sur la garantie	3
Modèles c.c. Norcold - Questions sur la garantie	3
Sensibilisation à la sécurité	3
Consignes de sécurité	4
À propos de votre réfrigérateur	5
Utilisation	5
Capacité	5
Compartiment des aliments frais	5
Compartiment du congélateur	5
Loquet de porte pour les déplacements	5
Lumière intérieure	5
Bac à légumes	6
Balconnets de porte	6
Étagères réglables	6
Fonctionnement	6
Commandes	6
Mise hors tension	6
Liste d'entretien du réfrigérateur	7
Dégivrage	7
Nettoyage	8
Étanchéité de la porte	8
Rangement du réfrigérateur	8
Dépannage	9
Si le réfrigérateur ne refroidit pas correctement en mode c.c.	9
Fonctionnement du dispositif d'arrêt en cas de surchauffe	9
Système de protection contre la basse tension	9
Système de protection contre les surintensités	9
Liste d'entretien du réfrigérateur	10
Pièces de rechange	10
Schéma de connexion	10

MODÈLES NORCOLD C.C. UNIQUEMENT - Garantie limitée d'un an

Norcold, LLC. garantit pour une période d'un (1) an à compter de la date d'achat originale de réparer ou de remplacer ses réfrigérateurs c.c.

Limitations de la garantie

1. Cette garantie est la seule qui s'applique aux réfrigérateurs c.c. Norcold. Elle ne couvre pas les défauts de la verrerie, des ampoules électriques et des fusibles remplaçables.
2. Cette garantie ne s'applique pas aux réfrigérateurs ou aux pièces ayant fait l'objet d'une utilisation inadéquate, d'une mauvaise installation, d'un service anormal, de dommages lors du transport, de la recharge du compresseur, d'un accident, d'un incendie, d'une réparation inadéquate, d'une altération ou d'une utilisation abusive.
3. La durée de toute garantie implicite est limitée à un (1) an.
4. Certaines juridictions ne permettant pas de limiter la durée d'une garantie implicite, il se peut que la limitation ci-dessus ne s'applique pas à votre situation.

Limitation des recours

1. La responsabilité de Norcold en vertu de cette garantie se limite à la réparation ou au remplacement (à son choix) de tout réfrigérateur ou composant défectueux.
2. En aucune circonstance Norcold ne saurait être tenue responsable de tout autre frais, y compris, mais sans s'y limiter, les frais ou réclamations pour la main-d'œuvre, les pertes commerciales, la perte de temps, la perte de profits, la perte d'usufruit, ou tout autre dommage indirect ou consécutif, quelles que soient leurs dénominations ou descriptions.
3. Certains états ou provinces ne permettant pas la limitation ou l'exclusion des dommages indirects ou consécutifs, il se peut que l'exclusion ci-dessus ne s'applique pas à votre situation.

Pour recourir à la garantie, communiquez avec le Service à la clientèle de Norcold au notre site Web à www.thetford.com/us.

Droits juridiques

Cette garantie vous accorde des droits juridiques particuliers auxquels peuvent s'ajouter d'autres droits pouvant varier d'une province ou d'un état à l'autre.

Modèles Norcold c.c. seulement et c.a./c.c. - Renseignements sur la garantie

Votre réfrigérateur est conçu pour offrir une satisfaction ultime en matière de refroidissement et vous servira avec fiabilité durant les années à venir. Les réfrigérateurs Norcold offrent une garantie standard limitée d'un an.

Écrivez le numéro de modèle et le numéro de série ci-dessous pour référence ultérieure. Ces numéros figurent sur la plaque signalétique du réfrigérateur. La plaque signalétique se trouve dans le compartiment des aliments frais, en haut à gauche. Utilisez ces numéros lorsque vous faites appel au service après-vente ou dans toute correspondance concernant votre réfrigérateur.

Numéro de modèle _____ Numéro de série _____

Si un problème survient avec votre réfrigérateur, contactez l'un de nos centres de service aux États-Unis ou au Canada. Pour trouver un centre de service Norcold agréé près de chez vous, veuillez visiter notre site Web à www.norcold.com.

Norcold s'engage à fournir des produits en harmonie avec l'environnement. Votre réfrigérateur Norcold répond à toutes les normes de sécurité environnementale.

Modèles Norcold c.c. seulement et c.a./c.c. - Questions sur la garantie

Cette garantie est la seule qui s'applique à votre réfrigérateur Norcold. Il n'y a aucune autre garantie expresse. Les seules utilisations de ce produit sont décrites dans ce manuel. Les caractéristiques des pièces ou des modèles sont sujettes à modification sans préavis.

Que couvre cette garantie?

- Cette garantie couvre la main d'œuvre et le transport (service routier uniquement) ainsi que les coûts engagés pour le retrait et la réinstallation du réfrigérateur lorsque cela est nécessaire pour remplacer une pièce défectueuse et toute pièce remplacée sous garantie.

Qu'est-ce qui n'est pas couvert par cette garantie?

- Les frais de déplacement pour apporter le réfrigérateur à un centre de service Norcold agréé pour bénéficier de la couverture de la garantie.
- Les frais de téléphonie mobile et de temps de diagnostic.
- Les coûts supplémentaires dus à l'impossibilité d'apporter le réfrigérateur à un centre de service Norcold agréé.
- Les défauts causés par des dommages dus au transport, une mauvaise utilisation, une négligence, de la rouille ou un accident.
- Les défauts de fabrication constatés au moment de l'achat, des pièces remplacées sous garantie et de la main d'œuvre associée, que le consommateur-acheteur d'origine ne communique pas à Norcold dans un délai de 30 jours.
- La main d'œuvre, effectuée sans remplacement de pièces, que le consommateur-acheteur d'origine ne communique pas à Norcold dans un délai de 30 jours.
- Les défauts de la verrerie, des ampoules électriques ou le remplacement des fusibles.
- Les défauts découlant d'une installation, d'un entretien ou d'un réglage inadéquat.
- L'entretien normal de ce réfrigérateur tel que décrit dans ce manuel.
- Les défauts dus à une mauvaise utilisation de pièces ou de pièces non fabriquées ou fournies par Norcold pour les réparations ou le remplacement du réfrigérateur.
- Norcold décline toute responsabilité pour les pertes ou dommages accidentels ou consécutifs dus directement ou indirectement à l'utilisation de ce produit. Certains États ou provinces ne permettant pas la limitation ou l'exclusion des dommages indirects ou consécutifs, il se peut que l'exclusion ci-dessus ne s'applique pas à votre situation.

Quelle est la durée cette garantie?

- Cette garantie est en vigueur pour une période d'un an à compter de la date d'achat originale.

Que fera Norcold?

- Norcold assurera la réparation et le remplacement des pièces défectueuses dans tout centre de service Norcold agréé. Norcold, à son choix, pourra remplacer les pièces défectueuses ou le réfrigérateur au complet. Si le réfrigérateur est remplacé, Norcold ne sera pas responsable du remplacement des options installées par le revendeur ni de la mise au rebut du réfrigérateur défectueux.

Comment obtenir un service sous garantie?

- Apportez le réfrigérateur ou le VR à n'importe quel centre de service Norcold agréé et présentez la preuve que l'article défectueux est couvert par la garantie.
- Si vous n'êtes pas en mesure d'apporter le réfrigérateur à un centre de service Norcold agréé, veuillez nous envoyer un courriel ou visiter notre site Web.

Quels sont vos droits?

- Cette garantie vous confère des droits juridiques particuliers. Vous pouvez également bénéficier d'autres droits qui varient d'un État ou d'une province à l'autre.

Sensibilisation à la sécurité

Lisez attentivement ce manuel et prenez le temps d'en comprendre le contenu avant d'installer le réfrigérateur.

Prenez conscience des risques d'accident lorsque vous voyez un symbole d'alerte à la sécurité sur le réfrigérateur et dans ce manuel. Un mot d'avertissement suit le symbole d'alerte de sécurité et identifie le danger en question. Lisez attentivement les descriptions de ces mots pour bien comprendre leur signification. Ils sont là pour votre sécurité.




Ce mot d'avertissement désigne un risque qui, s'il est ignoré, peut entraîner de graves blessures personnelles, la mort ou des dommages matériels.



Ce mot d'avertissement désigne un risque qui, s'il est ignoré, peut entraîner des blessures personnelles légères ou modérées ou des dommages matériels.

Consignes de sécurité



- L'entreposage de substances inflammables derrière ou autour du réfrigérateur présente un risque d'incendie. N'utilisez pas l'espace derrière le réfrigérateur pour ranger quoi que ce soit, en particulier des matières inflammables (essence, produits nettoyants, etc.), ce qui est particulièrement important lors de la conversion d'un réfrigérateur à absorption de gaz.
- Ne rangez aucune substance explosive, telle que des bombes aérosol contenant un propulseur inflammable, dans ce réfrigérateur.
- Une surcharge du circuit peut entraîner un incendie d'origine électrique si les fils et/ou les fusibles ne sont pas du bon calibre. N'utilisez que les tailles de fil et de fusible indiquées dans le « Manuel d'installation ».
- N'ouvrez et n'endommagez jamais le circuit réfrigérant du système de refroidissement situé à l'arrière ou à l'intérieur de votre appareil. Le système de refroidissement est sous pression et contient des substances inflammables.
- Les composants doivent être remplacés par des composants similaires et l'entretien effectué par le personnel de service agréé par l'usine afin de minimiser le risque d'inflammation en raison de pièces incorrectes ou d'un entretien inapproprié.
- Risque d'incendie et d'explosion avec le réfrigérant inflammable R600a. 
- Gardez les ouvertures de ventilation situées dans l'appareil ou la structure intégrée libres de toute obstruction.
- N'utilisez pas de dispositifs mécaniques ni d'autres moyens pour accélérer le dégivrage outre ceux recommandés par le fabricant.
- N'utilisez pas d'appareils électriques à l'intérieur des compartiments d'aliments de l'appareil, sauf s'ils sont du type recommandé par le fabricant.
- Manipulez, déplacez et utilisez le réfrigérateur avec précaution pour éviter d'endommager le tube de réfrigérant ou d'augmenter le risque de fuite.
- Risque de piégeage des enfants. Avant de jeter votre ancien réfrigérateur ou congélateur : retirez les portes et laissez les étagères en place afin que les enfants ne puissent pas facilement grimper à l'intérieur.



- Une installation, un ajustement, une modification ou un entretien incorrects de ce réfrigérateur peut entraîner des blessures personnelles, des dommages matériels ou les deux. Confiez les travaux de service et d'entretien à votre revendeur ou à un centre de service agréé Norcold.
- Débranchez les sources d'alimentation c.c. avant d'entreprendre l'entretien du réfrigérateur. Les travaux doivent être effectués par un technicien compétent agréé par Norcold.
- Ne contournez pas ou ne modifiez pas les dispositifs ou fonctions électriques du réfrigérateur.
- Ne pulvérisez pas de liquides près des prises électriques, des connexions ou des pièces du réfrigérateur. De nombreux liquides conduisent l'électricité et peuvent poser un risque de chocs électriques, de court-circuits et, dans certains cas, d'incendie.
- L'arrière du réfrigérateur comporte des arêtes et des angles tranchants. Pour éviter les coupures ou éraflures en travaillant sur le réfrigérateur, procédez avec soin et portez des gants protecteurs.
- Cet appareil n'est pas destiné à être utilisé par des personnes (y compris des enfants) ayant des capacités physiques, sensorielles ou mentales réduites, ou un manque d'expérience ou de connaissances, à moins qu'elles n'aient reçu une surveillance ou des instructions concernant l'utilisation de l'appareil par une personne responsable de leur sécurité. Les enfants doivent être surveillés pour s'assurer qu'ils ne jouent pas avec l'appareil.
- L'accumulation de poussière sur le condenseur réduira le rendement de l'appareil et augmentera le risque de surchauffe du système de refroidissement. Faites nettoyer le condenseur et le ventilateur de refroidissement par un technicien compétent si vous soupçonnez un mauvais rendement.
- Risque d'incendie ou d'explosion dû au réfrigérant inflammable utilisé. Suivez attentivement les instructions de manipulation conformément aux réglementations des autorités canadiennes ou américaines.

À propos de votre réfrigérateur

Utilisation :

Ce réfrigérateur est conçu pour être utilisé dans un véhicule récréatif. Comme tel, il convient au camping et à la navigation de plaisance, mais il ne doit pas être exposé à la pluie ou à la neige.

Capacité :

Ce réfrigérateur est conçu pour conserver des aliments frais et surgelés et pour fabriquer des glaçons.

Capacité totale N10DC	10,0 pieds cubes	Calculée d'après la norme ANSI/AHAM-HRF-1-1988
Capacité totale N8DC	8,4 pieds cubes	Calculée d'après la norme ANSI/AHAM-HRF-1-2016



Le réfrigérateur est conçu pour fonctionner avec un écart inférieur à 10° dans toutes les directions par rapport au niveau. Son utilisation au-delà de ces limites peut endommager le système de refroidissement, augmenter le bruit et réduire le rendement du refroidissement. Assurez-vous que le véhicule est de niveau avant d'utiliser le réfrigérateur.

Fonctionnement pendant les déplacements :

Le réfrigérateur doit être de niveau lorsque le véhicule est arrêté. Cependant, son rendement n'est généralement pas affecté lors d'un déplacement.

Compartiment des aliments :

Démarrez le réfrigérateur et laissez-le refroidir pendant huit heures avant de le remplir d'aliments. Si le réfrigérateur ne commence pas à refroidir après environ deux heures, contactez votre revendeur ou un centre de service Norcold agréé.

Pour le meilleur rendement du refroidissement :

- Laissez l'air circuler librement à l'intérieur de tous les compartiments d'aliments et du congélateur.

Pour diminuer la quantité de glace qui s'accumule sur la paroi arrière du congélateur et des aliments frais du réfrigérateur :

- Couvrez tous les aliments humides et les liquides.
- Laissez refroidir tous les aliments chauds avant de les mettre au réfrigérateur.
- N'ouvrez pas la porte plus longtemps que nécessaire.

Compartiment du congélateur :

Le compartiment du congélateur est conçu pour conserver les aliments précongelés et non pour congeler rapidement les aliments. Conservez les aliments précongelés dans le compartiment du congélateur.

AVIS

REMARQUE : Lorsque vous préparez de la glace, placez le bac à glaçons directement au fond du congélateur. Ne placez pas d'autres objets sur le bac à glaçons pendant que l'eau gèle. L'eau gèle plus rapidement si l'interrupteur/thermostat est au réglage de température le plus froid.

Loquet de porte pour les déplacements :

Pendant les déplacements, le loquet de porte empêche la porte de s'ouvrir. Lorsque vous fermez une porte, appuyez-la contre le réfrigérateur jusqu'à entendre un « clic ». Pour ouvrir une porte, tirez sur sa poignée.

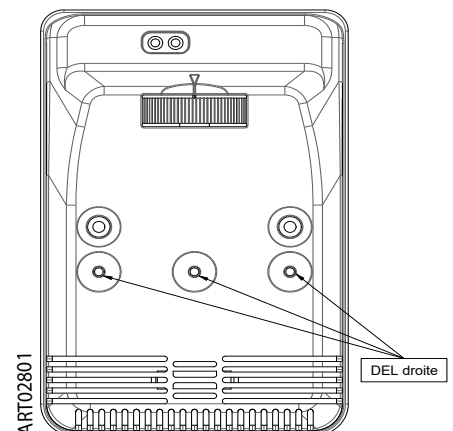
Éclairage intérieur :

La lumière intérieure se trouve dans le haut du compartiment des aliments frais.

La lumière intérieure s'allume lorsque le réfrigérateur est en marche et que la porte est ouverte.

Pour remplacer l'ampoule :

1. Utilisez du ruban adhésif pour maintenir l'interrupteur d'éclairage enfoncé, ce qui coupe l'alimentation du circuit d'éclairage.
2. Retirez le couvercle du boîtier électrique avec un tournevis. La lampe DEL est intégrée au circuit d'alimentation principal. Retirez le circuit d'alimentation principal (voir ART02801).
3. Débranchez le connecteur du faisceau de câbles.
4. Installez le circuit d'alimentation principal de remplacement.



5. Reposez le couvercle du boîtier électrique.

6. Retirez le ruban adhésif de l'interrupteur.

Bac à légumes :

Le ou les bacs à légumes sont situés au bas du compartiment des aliments frais et offrent un espace de rangement pour préserver la fraîcheur des fruits et légumes. Assurez-vous de toujours repousser complètement les bacs à légumes.

AVIS

Ne lavez pas les bacs à légumes au lave-vaisselle. Les bacs à légumes ne vont pas au lave-vaisselle.

Balconnets de porte :

Vous pouvez placer les balconnets de porte du congélateur et du compartiment des aliments frais à l'endroit qui répond le mieux à vos besoins. Pour retirer les balconnets, soulevez-les au-dessus de l'onglet de retenue et retirez-les de la porte. Pour installer les balconnets, poussez-les sur l'onglet de retenue.

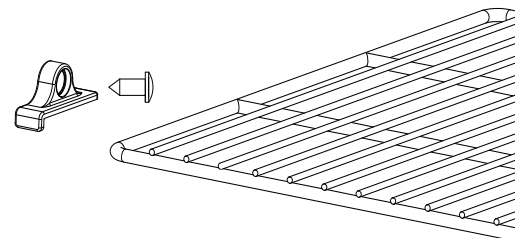
AVIS

Ne lavez pas les balconnets de porte et les bacs coulissants au lave-vaisselle. Les balconnets et les bacs ne vont pas au lave-vaisselle.

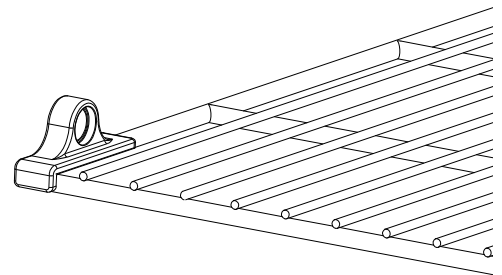
Étagères réglables :

Les étagères du congélateur et du compartiment des aliments frais sont conçues pour que vous puissiez les retirer ou les déplacer. Pour retirer ou déplacer chaque étagère du compartiment des aliments frais et du congélateur (voir ART02802A/B) :

- Retirez la vis du support de chaque étagère sur le côté du réfrigérateur.
- Faites glisser le support hors de la fente (étagères d'enceinte uniquement).
- Tirez chaque étagère vers l'avant hors de la fente.
- Poussez chaque étagère jusqu'au fond à l'endroit souhaité.
- Glissez le support dans la fente (étagères d'enceinte uniquement).
- Fixez le support avec la vis.



ART02802A

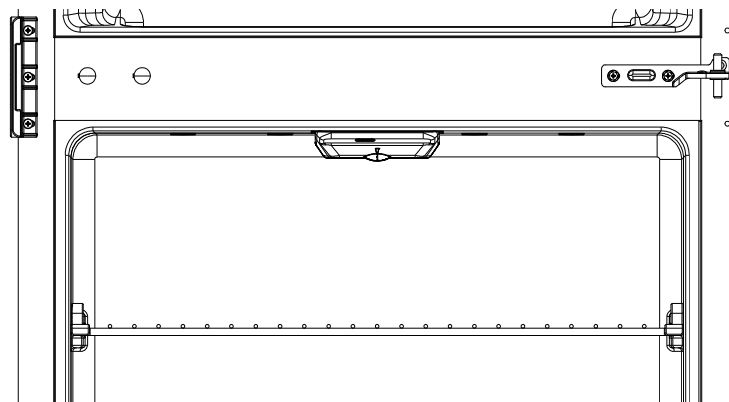


ART02802B

Fonctionnement

Commandes :

- Le thermostat est situé dans le haut du compartiment des aliments frais. Ajustez le bouton de 1 à 6 pour régler la température.
- Le 0 est le réglage d'arrêt forcé. Lorsque le bouton est laissé sur 0 pendant 5 secondes, le réfrigérateur entre dans l'état d'arrêt forcé.
- Dans l'état d'arrêt forcé, le compresseur et le ventilateur du condenseur arrêtent de fonctionner et le voyant DEL s'éteint.



ART02800



Ne faites pas fonctionner le réfrigérateur lorsque la température ambiante est supérieure à 60 °C au risque d'endommager en permanence le compresseur. Faire fonctionner le réfrigérateur quand la température ambiante est supérieure à 43 °C peut entraîner un faible refroidissement.

Directives pour le fonctionnement en mode c.c. :

Consultez le manuel d'installation pour connaître les exigences et les directives de fonctionnement en courant continu.

Liste d'entretien du réfrigérateur

Votre réfrigérateur vous offrira des années de service sans problème si vous effectuez ces simples vérifications tous les trois à six mois :

- Gardez le compartiment des aliments frais et le congélateur propres. Voir « Nettoyage ».
- Dégivrez le réfrigérateur s'il y a lieu. Voir « Dégivrage ».
- Assurez-vous que la porte ferme hermétiquement. Voir « Étanchéité de la porte ».
- Surveillez toute variation du refroidissement qui n'est pas due à la météo, à la charge ou aux réglages du thermostat. Consultez votre revendeur ou un centre de service Norcold agréé.
- Assurez-vous que l'air circule librement de l'évent d'admission inférieur jusqu'à la sortie de l'évent d'évacuation supérieur.

Dégivrage :

Les parois du congélateur du réfrigérateur sont à des températures inférieures à zéro et formeront naturellement du givre à cause de l'humidité, toujours présente dans l'air. L'humidité à l'intérieur du réfrigérateur augmente :

- avec une élévation de la température extérieure et de l'humidité.
- en présence d'aliments frais non scellés ou d'aliments chauds.
- selon la durée d'ouverture de la ou des portes.
- si le réfrigérateur n'est pas hermétique.

Il est normal que du givre se forme à l'intérieur du réfrigérateur. Un excès de givre nuit au rendement de refroidissement du réfrigérateur. Dégivrez le réfrigérateur s'il y a lieu :

- Retirez tous les aliments du réfrigérateur.
- Éteignez le réfrigérateur.

AVIS

Le dégivrage du réfrigérateur produit un excès d'eau à l'intérieur du réfrigérateur, qui tombe dans l'égouttoir et s'écoule à l'extérieur par le tube de drain.

- Placez des serviettes sèches (etc.) à l'intérieur du réfrigérateur pour aider à éliminer l'excès d'eau.



Des températures élevées peuvent faire gondoler ou fondre des surfaces intérieures du réfrigérateur. N'utilisez pas de casseroles d'eau CHAUDE, de sèche-cheveux ou tout autre appareil à haute température pour dégivrer le réfrigérateur. N'utilisez aucun objet dur ou pointu pour éliminer le givre, au risque d'endommager l'intérieur du réfrigérateur.

- Pour accélérer décongélation, mettez des casseroles d'eau TIÈDE dans le réfrigérateur.
- Retirez les serviettes mouillées (etc.) et séchez l'intérieur.
- Faites démarrer le réfrigérateur.
- Laissez le réfrigérateur abaisser sa température.
- Remplacez tous les aliments dans le réfrigérateur.

Nettoyage :

Un bon moment pour nettoyer le réfrigérateur est juste après l'avoir dégivré.

Nettoyez l'intérieur aussi souvent que nécessaire pour éviter les odeurs d'aliments :

- Retirez tous les aliments du réfrigérateur.

AVIS

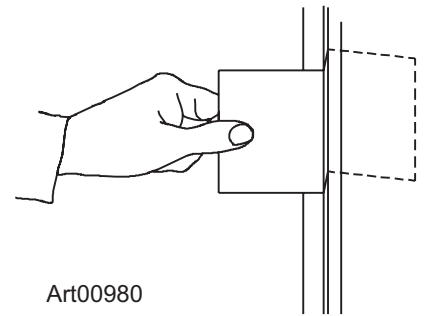
N'utilisez pas de nettoyeurs abrasifs, de produits chimiques ou de tampons à récurer au risque d'endommager l'intérieur du réfrigérateur.

- Lavez l'intérieur avec un nettoyeur doux ou une solution de détergent à vaisselle liquide et d'eau tiède.
- Rincez avec une solution de bicarbonate de soude et d'eau propre.
- Séchez avec un chiffon propre.
- Remplacez tous les aliments dans le réfrigérateur.

Étanchéité de la porte :

Si la porte ne ferme pas hermétiquement, un excès de givre s'accumulera à l'intérieur du réfrigérateur. Assurez-vous que la porte ferme hermétiquement.

- Fermez la porte sur une feuille de papier de la taille d'un billet de banque (voir ART00980).
- Tirez doucement sur le papier.
 - Vous devriez sentir une légère résistance entre le joint et l'enceinte.
 - Faites de même sur les quatre côtés de la porte.
 - Si vous ne sentez pas une légère résistance sur le papier, la porte ne ferme pas hermétiquement.
 - Demandez à votre revendeur ou à un centre de service Norcold agréé de corriger le joint de la porte.



Art00980

Rangement du réfrigérateur :

Avant de ranger le réfrigérateur pendant une période prolongée (fin de saison) :

- Dégivrez et nettoyez l'intérieur du réfrigérateur
- Laissez les portes ouvertes ou entrouvertes

Dépannage

Si le réfrigérateur ne refroidit pas correctement:

- Assurez-vous que le bouton du thermostat n'est pas sur 0.
- Assurez-vous que la commande du compartiment est au réglage de température que vous souhaitez.
- Assurez-vous que la source d'alimentation du réfrigérateur est en bon état.
- Assurez-vous que le fusible ou le disjoncteur est intact (voir « Système de protection contre les surintensités »).
- Assurez-vous que le réfrigérateur est correctement installé et que les événements d'aération intégrés ne sont pas obstrués.
- Assurez-vous que la température ambiante n'est pas anormalement élevée (plus de 43 °C). (Voir « Fonctionnement du dispositif d'arrêt en cas de surchauffe »).
- Assurez-vous que les portes sont fermées.
- Assurez-vous que les joints de la porte ferment hermétiquement.
- Assurez-vous que la circulation d'air à l'intérieur du réfrigérateur n'est pas entravée par les aliments ou des étagères recouvertes de plastique, de papier, etc.
- Assurez-vous qu'aucun aliment chaud n'a été placé dans le compartiment des aliments frais du réfrigérateur.
- Assurez-vous que le congélateur est dégivré.

Après ces vérifications, si le réfrigérateur ne fonctionne pas, contactez votre revendeur ou un centre de service Norcold agréé.

Fonctionnement du dispositif d'arrêt en cas de surchauffe :

L'utilisation du réfrigérateur lorsque les températures ambiantes sont élevées peut faire surchauffer le compresseur et l'endommager prématurément (voir l'étiquette à l'intérieur du réfrigérateur).

Pour protéger le compresseur de la surchauffe, le réfrigérateur s'éteindra automatiquement si la température du module d'alimentation est supérieure à 100 °C. Le réfrigérateur ne redémarrera pas tant que la température du module d'alimentation ne sera pas inférieure à 80 °C.

Système de protection contre la basse tension :

La tension requise pour le démarrage initial du réfrigérateur est de 10,9 volts. Afin d'éviter de décharger complètement la batterie, le réfrigérateur s'éteindra automatiquement si la tension d'alimentation c.c. faiblit trop. Le réfrigérateur ne redémarrera pas tant que la tension d'alimentation c.c. n'augmentera pas. Les tensions d'arrêt et de redémarrage sont :

Fonctionnement 12 V c.c.

Coupure 10,4 V c.c.

Redémarrage 11,8 V c.c.

Système de protection contre les surintensités :

Le circuit électronique de votre réfrigérateur dispose d'un système de protection contre les surintensités pour éviter d'endommager l'onduleur en raison d'une polarité inversée lors de la connexion.

Si le réfrigérateur ne fonctionne pas et que le voyant d'alimentation bleu ne s'allume pas, vérifiez le fusible sur le fil du connecteur c.c. ainsi que la polarité de l'alimentation. Si le réfrigérateur ne fonctionne toujours pas, il peut y avoir un autre problème au niveau du module d'alimentation. Demandez à un centre de service Norcold agréé de vérifier le réfrigérateur.

Liste d'entretien du réfrigérateur

Dans ce manuel, lisez et prenez le temps de comprendre les sections suivantes sur l'entretien.

AVIS

Norcold n'est responsable d'aucun réglage, installation, modification, réparation ou entretien effectué autrement que par un centre de service Norcold agréé.

Demandez à un centre de service Norcold agréé d'effectuer ces contrôles annuels de sécurité et d'entretien :

- Assurez-vous que les tensions c.c. sont adéquates (voir la section « Alimentation électrique requise »).
- Les connexions des fils sont propres, bien serrées et exemptes de corrosion. Si l'un de ces éléments est incorrect :
 - Une chute de tension se produira au réfrigérateur.
 - La chute de tension réduira la capacité de refroidissement du réfrigérateur.



Débranchez le fil d'alimentation c.c. positif (+) de la batterie avant d'effectuer sa « recharge rapide ». Négliger de débrancher le fil d'alimentation positif (+) de la batterie lors d'une « recharge rapide » peut endommager le réfrigérateur ou d'autres appareils 12 volts à courant continu.

Pièces de rechange

Vous pouvez acheter des pièces de rechange auprès de votre revendeur ou d'un centre de service Norcold agréé.

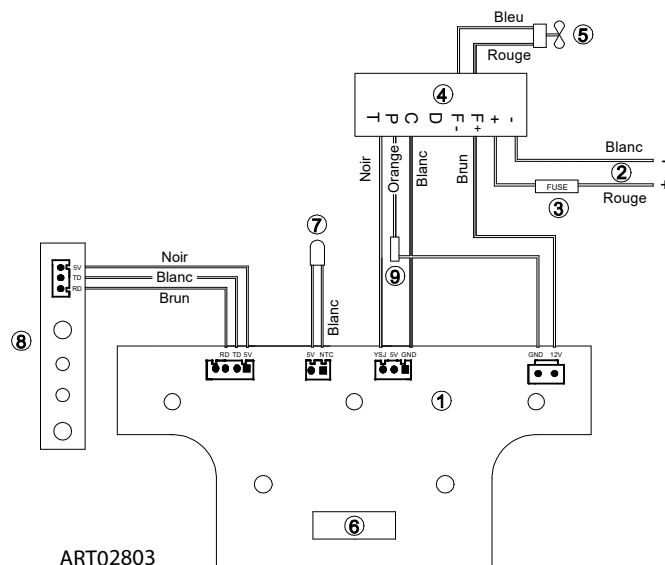


Si le cordon d'alimentation est endommagé, il doit être remplacé par le fabricant, son agent de service ou un personnel aux qualifications similaires afin d'éviter tout danger.

Schéma de connexion

Les pièces du schéma de connexion sont (ART02803) :

- | | |
|--------|------------------------------------|
| 1..... | Circuit de commande principal |
| 2..... | Bloc d'alimentation 12 V c.c |
| 3..... | Fil de fusible |
| 4..... | Circuit de commande du compresseur |
| 5..... | Ventilateur du condenseur |
| 6..... | Engrenage détendeur |
| 7..... | Capteur de température |
| 8..... | Panneau à infrarouge |
| 9..... | Résistance antisurtension |



ART02803



Manual del propietario

Para refrigeradores eléctricos de CC modelos
NV10DCX - 10 pies cúbicos y NV8DCX - 8 pies cúbicos.

En los números de modelo anteriores, la letra "X" significa letras
o números correspondientes a una opción del refrigerador.

Español

Índice

Modelos de CC Norcold: Póliza de garantía	2
Modelos de CC Norcold: Información de la garantía.....	3
Modelos de CC Norcold: Preguntas sobre la garantía	3
Conocimientos de seguridad	3
Instrucciones de seguridad.....	4
Acerca de su refrigerador	5
Uso	5
Volumen de almacenamiento	5
Compartimiento de alimentos.....	5
Compartimiento del congelador	5
Retén de puerta para transporte	5
Luz interior.....	5
Cajones de verduras	6
Compartimientos de las puertas.....	6
Estantes ajustables	6
Operación	6
Controles	6
Apagado	6
Lista de comprobaciones para el cuidado del refrigerador.....	7
Descongelación	7
Limpieza	8
Sellado de las puertas.....	8
Almacenamiento del refrigerador	8
Resolución de problemas	9
Si el refrigerador no enfría correctamente en el modo de CC.....	9
Uso del dispositivo de apagado por sobrecalentamiento	9
Sistema de protección contra bajo voltaje.....	9
Sistema de protección contra sobrecorriente.....	9
Lista de comprobaciones para el mantenimiento del refrigerador.....	10
Piezas de repuesto.....	10
Ilustración del cableado.....	10

MODELOS NORCOLD SOLO DE CC: Garantía limitada de 1 año

Norcold Inc. garantiza, por un período de un (1) año a partir de la fecha original de compra, la reparación o el reemplazo de sus refrigeradores de CC.

Limitaciones de la garantía

1. Esta garantía es la única que se ofrece para los refrigeradores de CC Norcold. Esta garantía no cubre artículos de vidrio, bombillas eléctricas o fusibles reemplazables.
2. Esta garantía no se aplica a refrigeradores ni piezas de componentes que se hayan sometido a usos indebidos, instalación inadecuada, servicio anormal, daños de transporte, recarga del compresor, accidente, incendio, reparación inadecuada, alteraciones indebidas o malos tratos.
3. La duración de cualquier garantía implícita se limita a un (1) año.
4. Algunos estados no permiten limitaciones en la duración de una garantía implícita, así que es posible que la limitación anterior no se aplique en su caso.

Limitaciones de recursos

1. La responsabilidad de Norcold en virtud de esta o cualquier otra garantía se limita a la reparación o al reemplazo, a criterio de Norcold, de todo refrigerador o pieza defectuosos.
2. En ningún caso y bajo ninguna circunstancia Norcold asumirá la responsabilidad bajo ningún concepto de cualquier otro cargo, incluidos, entre otros, cargos o reclamaciones por mano de obra, pérdidas comerciales, pérdida de tiempo, lucro cesante, pérdida de uso o cualquier otro tipo de daños incidentales o consecuentes, no obstante denominados o descritos.
3. Algunos estados no permiten la exclusión o la limitación de daños incidentales o consecuentes, así que puede que la exclusión anterior no se aplique en su caso.

Para obtener servicio de garantía, llame al Departamento de Servicio al Cliente de Norcold visite nuestro sitio web, www.thetford.com/us.

Derechos legales

Esta garantía le otorga derechos legales específicos; es posible que usted tenga otros derechos legales, que pueden variar de un estado a otro.

Modelos solo de CC y modelos de CA/CC Norcold: Información sobre la garantía

Este refrigerador está destinado a ofrecerle los últimos adelantos en capacidad frigorífica y un rendimiento confiable durante los años venideros. Los refrigeradores Norcold ofrecen una garantía limitada estándar de un año.

Para referencia futura, anote los números del modelo y de la serie indicados a continuación. Estos números están en la placa de serie del refrigerador, ubicada en el compartimiento de alimentos frescos (lado izquierdo superior). Haga referencia a estos números cuando reciba servicio o en cualquier correspondencia relacionada con su refrigerador.

Número de modelo _____ Número de serie _____

Si hubiera algún problema con su refrigerador, comuníquese con cualquiera de los centros de servicio en Estados Unidos y Canadá. Para encontrar un centro de servicio autorizado de Norcold cercano, visite nuestro sitio web: www.norcold.com.

Norcold tiene el firme compromiso de ofrecer productos que sean amigables para el medio ambiente. Este refrigerador Norcold cumple todas las normas de seguridad ambientales.

Modelos solo de CC y modelos de CA/CC Norcold: Preguntas sobre la garantía

Esta garantía es la única que se ofrece para su refrigerador Norcold. No hay otras garantías expresas. En este manual se describen los usos exclusivos de este producto. Las especificaciones de las piezas o los modelos están sujetas a cambios sin previo aviso.

¿Qué está cubierto por esta garantía?

- Esta garantía cubre los costos de mano de obra y flete (servicio por tierra solamente) y los costos resultantes del retiro y reinstalación del refrigerador cuando se requiera para reemplazar una pieza defectuosa y toda pieza reemplazable bajo garantía.

¿Qué no está cubierto por esta garantía?

- Gastos de viaje para llevar el refrigerador a un centro de servicio autorizado de Norcold para obtener la cobertura de garantía.
- Tarifas móviles y tiempo de diagnóstico.
- Costos adicionales causados por la incapacidad de llevar el refrigerador a un centro de servicio autorizado de Norcold.
- Defectos causados por daños durante el transporte, uso indebido, negligencia, oxidación o accidente.
- Defectos de fabricación descubiertos al momento de la compra, piezas reemplazadas bajo garantía y mano de obra asociada, que el consumidor-comprador original no notifique a Norcold en un plazo de 30 días.
- Labores realizadas sin necesidad de reemplazo de piezas, que el consumidor-comprador original no notifique a Norcold en un plazo de 30 días.
- Defectos en artículos de vidrio, bombillas eléctricas o fusibles de repuesto.
- Defectos causados por errores de instalación, mantenimiento o ajuste.
- Mantenimiento normal de este refrigerador, tal como se describe en este manual.
- Defectos causados por el uso inadecuado de piezas, o el uso de piezas no fabricadas o suministradas por Norcold para reparaciones o reemplazos al refrigerador.
- Norcold no será responsable de ninguna pérdida o daño incidental o consecuente que se deba directa o indirectamente al uso de este producto. Algunos estados no permiten la exclusión o la limitación de daños incidentales o consecuentes, así que puede que lo anterior no se aplique en su caso.

¿Cuánto dura esta garantía?

- Esta garantía es efectiva durante el período de un año a partir de la fecha original de la compra.

¿Qué ofrece Norcold?

- Norcold proporcionará el servicio y el reemplazo de las piezas defectuosas en todos los centros de servicio autorizados de Norcold. Norcold tendrá la opción de reemplazar ya sea las piezas defectuosas o el refrigerador por completo. Si se llegara a reemplazar el refrigerador, Norcold no sería responsable de reemplazar las opciones instaladas por el distribuidor o de desechar los refrigeradores defectuosos.

¿Qué hay que hacer para obtener el servicio?

- Lleve el refrigerador o vehículo de recreo a cualquier centro de servicio autorizado de Norcold, junto con un comprobante de la cobertura de garantía del artículo defectuoso.
- Si no le es posible llevar el refrigerador a un centro de servicio autorizado de Norcold, envíenos un mensaje por correo electrónico o visite nuestro sitio web.

¿Qué derechos tiene usted?

- Esta garantía le otorga derechos legales específicos. Usted también podría tener otros derechos (que varían de estado a estado).

Conocimientos de seguridad

Lea este manual detenidamente y asegúrese de entender el contenido antes de usar el refrigerador.

Preste atención a posibles riesgos de seguridad cuando vea el símbolo de alerta de seguridad en el refrigerador y en este manual. A continuación de los símbolos de alerta de seguridad hay una palabra de aviso que identifica el peligro. Lea detenidamente las descripciones de estas palabras de aviso para entender plenamente sus significados. Estas palabras se usan para mantener su seguridad.




Esta palabra de aviso indica una situación potencialmente peligrosa que, de no evitarse, puede causar la muerte, lesiones corporales graves o daños materiales.



Esta palabra de aviso indica una situación potencialmente peligrosa que, de no evitarse, puede causar lesiones corporales menores o moderadas o daños materiales.

Instrucciones de seguridad



- El almacenamiento de materiales inflamables detrás o alrededor del refrigerador constituye un riesgo de incendio. No almacene nunca nada detrás del refrigerador, especialmente materiales inflamables (gasolina, productos de limpieza, etc.). Esto es especialmente importante durante la conversión de un refrigerador por absorción de gas.
- No almacene en este refrigerador ninguna sustancia explosiva, como latas de aerosol con propulsor inflamable.
- Las sobrecargas de circuito pueden ocasionar incendios eléctricos si los cables y/o fusibles no son del calibre correcto. Use únicamente los tamaños de cables y fusibles indicados en el Manual de instalación.
- No abra nunca ni dañe el circuito frigorífico del sistema refrigerante (situado en la parte posterior o interior del electrodoméstico). El sistema refrigerante está a presión y contiene sustancias inflamables.
- Las piezas de los componentes deben reemplazarse por componentes similares, y las labores de servicio deben estar a cargo de personal de servicio autorizado de fábrica, para así minimizar el riesgo de posible ignición debido a piezas o servicio incorrectos.
- Riesgo de incendio y explosión con el refrigerante inflamable R600a. 
- Mantenga despejadas las aberturas de ventilación, tanto en el electrodoméstico como en la estructura integrada.
- No use dispositivos mecánicos ni ningún otro medio para acelerar la descongelación que no sean los recomendados por el fabricante.
- No use aparatos eléctricos dentro de los compartimientos de almacenamiento de alimentos del electrodoméstico, a menos que sean del tipo recomendado por el fabricante.
- Maneje, mueva y use el refrigerador con cuidado para evitar dañar el tubo refrigerante o aumentar el riesgo de fugas.
- Riesgo de atrapamiento de niños. Antes de desechar su antiguo refrigerador o congelador: Quítele las puertas y déjele los estantes en su lugar para dificultar que los niños puedan meterse adentro.



- Los errores en la instalación, ajuste, cambios o mantenimiento de este refrigerador pueden causar lesiones corporales, daños materiales o ambas cosas. Encargue las labores de servicio y mantenimiento a su distribuidor o a un centro de servicio autorizado de Norcold.
- Desconecte las fuentes de alimentación de CC antes de realizar cualquier labor de mantenimiento en el refrigerador. Toda labor de servicio en este refrigerador debe estar a cargo de un técnico de servicio capacitado.
- No anule ni cambie los componentes o mecanismos eléctricos del refrigerador.
- No rocíe líquidos cerca de tomacorrientes, conexiones o componentes eléctricos del refrigerador. Muchos líquidos conducen la electricidad y pueden causar peligros de descargas eléctricas, cortocircuitos y, en ciertos casos, incendios.
- La parte posterior del refrigerador tiene esquinas y bordes afilados. Para evitar cortes o abrasiones al trabajar en el refrigerador, póngase guantes resistentes a cortes y tenga cuidado.
- Este electrodoméstico no está destinado a ser usado por adultos o niños que tengan discapacidades físicas, sensitivas o mentales, o falta de experiencia o conocimientos, a menos que estén supervisados o hayan recibido instrucciones de uso del electrodoméstico por parte de un responsable de su seguridad. Se deberá vigilar a los niños para asegurarse de que no jueguen con el electrodoméstico.
- La acumulación de polvo en el condensador reduce el rendimiento del electrodoméstico y aumenta el riesgo de sobrecalentamiento del sistema refrigerante. Si hay sospechas de un funcionamiento deficiente, solicite la limpieza del condensador y el ventilador refrigerante a un personal de servicio capacitado.
- Riesgo de incendio o explosión debido al refrigerante inflamable usado. Siga fielmente las instrucciones de manejo en cumplimiento de los reglamentos gubernamentales de EE. UU.

Acerca de su refrigerador

Uso:

Este refrigerador está diseñado para usarse dentro de un vehículo de recreación. Como tal, es adecuado para acampar y navegar. Sin embargo, no debe exponerse a la lluvia o la nieve.

Volumen de almacenamiento:

Este refrigerador está diseñado para almacenar alimentos frescos y congelados y para fabricar hielo.

Capacidad total N10DC	10.0 pies cúbicos	Calculado según ANSI/AHAM-HRF-1-1988
Capacidad total N8DC	8.4 pies cúbicos	Calculado según ANSI/AHAM-HRF-1-2016



PRECAUCIÓN

El refrigerador está diseñado para funcionar dentro de 10° de desnivel en todas las direcciones. Su uso en desniveles mayores puede causar daños en el sistema refrigerante, aumento del ruido y un rendimiento deficiente de la refrigeración. Compruebe que el vehículo esté nivelado antes de poner a funcionar el refrigerador.

Uso durante viajes:

El refrigerador debe estar nivelado mientras el vehículo esté estacionado; sin embargo, su rendimiento generalmente no se ve afectado durante el transporte.

Compartimiento de alimentos:

Ponga a funcionar el refrigerador y déjelo enfriar durante ocho horas antes de cargarlo con alimentos. Si el refrigerador no comienza a enfriarse después de unas 2 horas, comuníquese con su distribuidor o con un centro de servicio autorizado de Norcold.

Para obtener un óptimo enfriamiento:

- Permita que el aire circule libremente dentro de todos los compartimientos de alimentos y del congelador.

Para disminuir la cantidad de hielo acumulado en la pared posterior del congelador y de los alimentos frescos del refrigerador:

- Tape todos los líquidos y alimentos húmedos.
- Espere a que todos los alimentos calientes se enfríen antes de ponerlos en el refrigerador.
- No abra las puertas más tiempo del necesario.

Compartimiento del congelador:

El compartimiento del congelador está hecho para mantener congelados los alimentos precongelados, pero no para congelar alimentos rápidamente. Mantenga los alimentos precongelados en el compartimiento del congelador.

AVISO

NOTA: Para fabricar hielo, ponga la cubeta de hielo directamente en el fondo del congelador. No ponga otras cosas sobre la cubeta de hielo mientras el agua se esté congelando. El agua se congelará más rápido si el interruptor de encendido/termostato está en el ajuste más frío de temperatura.

Retén de puerta para transporte:

El retén de las puertas impide que las puertas se abran durante el movimiento del vehículo. Al cerrar cada puerta, empuje la puerta hacia el refrigerador hasta que suene un "clic". Para abrir cada puerta, hale la manija del refrigerador.

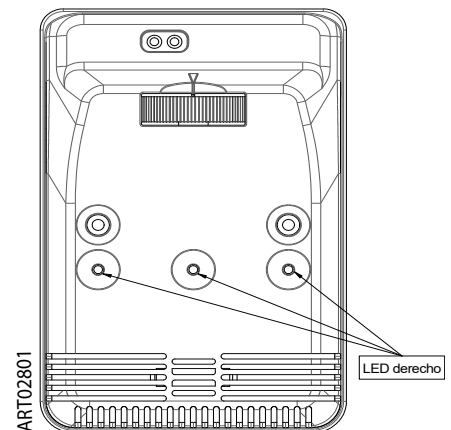
Luz interior:

La luz interior se encuentra en la parte superior del compartimiento de alimentos frescos.

La luz interior se ilumina cuando el refrigerador está encendido y la puerta está abierta.

Para cambiar la bombilla:

1. Aplique cinta adhesiva para mantener el interruptor de luz hacia abajo; esto cortará la energía del circuito de luz.
2. Retire la cubierta eléctrica con un destornillador. La luz LED está integrada con la tarjeta de control de la alimentación (tarjeta PCB) principal. Saque la tarjeta PCB principal (ver ART02801).
3. Desenchufe el conector de arnés del cableado.
4. Instale la tarjeta PCB de repuesto.



5. Instale la cubierta eléctrica.

6. Quite la cinta adhesiva del interruptor de luz.

Cajón/cajones de frutas y verduras

El cajón o cajones de frutas y verduras se encuentran en la parte inferior del compartimento de alimentos frescos, y ofrecen un espacio de almacenamiento para preservar la frescura de las frutas y verduras. Asegúrese siempre de empujar estos cajones hasta el fondo.

AVISO No lave los cajones en un lavavajillas, porque podrían dañarse.

Compartimientos de las puertas:

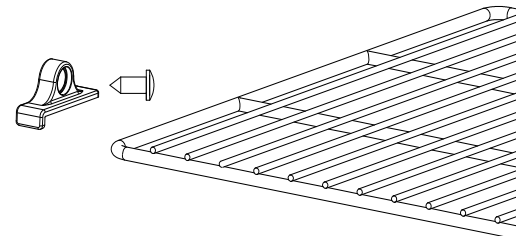
Instale los compartimientos de las puertas del congelador y el compartimiento de alimentos frescos en donde se adapten mejor a sus necesidades. Para retirar los compartimientos, levántelos por encima del posicionador y jálelos hacia afuera de la puerta. Para instalar los compartimientos, empújelos sobre el posicionador.

AVISO No lave los compartimientos de las puertas en un lavavajillas, porque tanto estos como sus mecanismos de deslizamiento podrían dañarse.

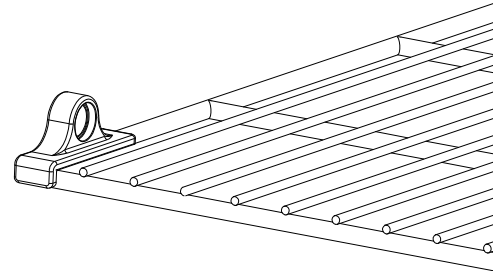
Estantes ajustables:

Los estantes del congelador y el compartimiento de alimentos frescos están diseñados para poder retirarlos o cambiarlos de posición. Para retirar o cambiar la posición de cada estante del compartimiento de alimentos frescos y del congelador (ver ART02802A/B):

- Saque el tornillo del gancho de cada estante, en la parte lateral del refrigerador.
- Deslice el gancho para sacarlo de la ranura (únicamente los estantes de gabinete).
- Jale cada estante hacia adelante para sacarlo de la ranura.
- Empuje cada estante hasta meterlo completamente en la ranura deseada.
- Deslice el gancho hacia dentro de la ranura (únicamente los estantes de gabinete).
- Sujete el gancho con el tornillo.



ART02802A

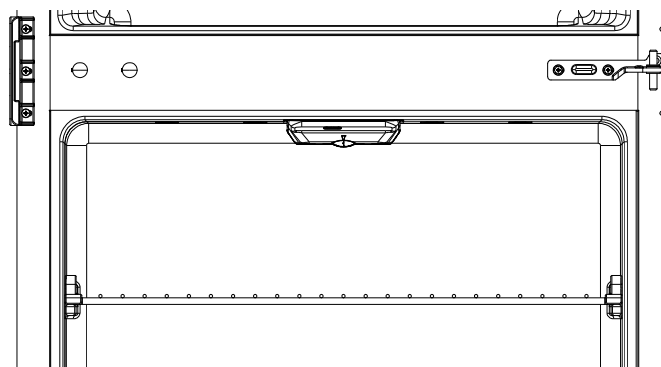


ART02802B

Operación

Controles:

- El termostato se encuentra en la parte superior del compartimiento del gabinete. Para controlar la temperatura, ajuste la perilla del termostato entre las posiciones 1 y 6.
- 0 es el ajuste de inactivación forzada. Cuando se gira a la posición 0 y no hay ningún cambio durante 5 segundos, indica que el sistema ha ingresado al estado de inactivación forzada.
- En el estado de inactivación forzada, el compresor y el ventilador del condensador dejan de funcionar y se apaga la luz LED.



ART02800



No haga funcionar el refrigerador cuando la temperatura ambiente sea mayor de 140 °F, puesto que el compresor podría dañarse de manera permanente. El funcionamiento del refrigerador podría ser deficiente si la temperatura ambiente es mayor de 110 °F.

Guías de operación con corriente continua:

Consulte el Manual de instalación para conocer los requisitos y guías de operación con corriente continua (CC).

Listado de comprobaciones para el cuidado del refrigerador

Para que el refrigerador le brinde años de funcionamiento sin problemas, realice las siguientes comprobaciones sencillas cada 3 a 6 meses:

- Mantenga limpio el compartimiento de alimentos y el congelador. Consulte "Limpieza".
- Descongele el refrigerador según sea necesario. Consulte "Descongelación".
- Compruebe que la puerta esté correctamente sellada. Consulte "Sellado de las puertas".
- Esté pendiente de cualquier cambio de enfriamiento que no se deba al clima, la carga o a cambios en el termostato. Si hay cambios, comuníquese con su distribuidor o con un centro de servicio autorizado de Norcold.
- Compruebe que el aire fluya por la entrada de ventilación inferior y la salida de ventilación superior, y que estas ventilaciones no estén obstruidas.

Descongelación:

Las paredes del congelador del refrigerador funcionan a temperaturas de congelación, y por naturaleza forman escarchas debido a la humedad que siempre está presente en el aire. Los siguientes factores aumentan la humedad dentro del refrigerador:

- los aumentos de la temperatura exterior y de la humedad.
- el almacenamiento de alimentos frescos no tapados o alimentos calientes.
- el tiempo en que las puertas estén abiertas.
- cualquier fuga de aire en el refrigerador.

Es normal que se acumule escarcha dentro del refrigerador. El exceso de escarcha disminuye el rendimiento del enfriamiento del refrigerador. Descongele el refrigerador según sea necesario.

- Saque toda la comida del refrigerador.
- Apague el refrigerador.



Al descongelar el refrigerador, se crea en su interior un exceso de agua que cae en la bandeja de goteo y fluye hacia el exterior a través del tubo de drenaje.

- Ponga toallas secas (etc.) dentro del refrigerador para ayudar a eliminar el exceso de agua.



Las altas temperaturas pueden hacer que las superficies interiores del refrigerador se deformen o se derritan. No use cacerolas de agua CALIENTE, secadores de pelo o cualquier otro aparato de alta temperatura para acelerar la descongelación. No use objetos duros o afilados para quitar la escarcha. Esto puede ocasionar daños en el interior del refrigerador.

- Para aumentar la velocidad de descongelación, ponga cacerolas de agua TIBIA en el refrigerador.
- Quite las toallas húmedas (etc.) y seque el interior.
- Encienda el refrigerador.
- Espere hasta que se enfríe el refrigerador.
- Vuelva a poner toda la comida en el refrigerador.

Limpieza:

Un buen momento para limpiar el refrigerador es justo después de descongelarlo.

Limpie el interior del refrigerador tan a menudo como sea necesario para evitar los olores de los alimentos.

- Saque toda la comida del refrigerador.

AVISO

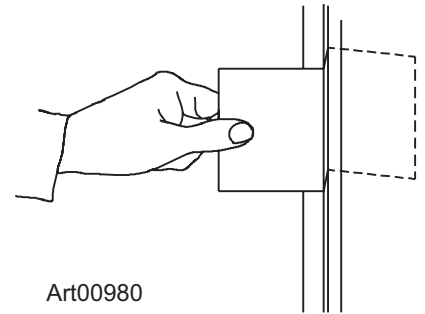
No use limpiadores abrasivos, productos químicos ni estropajos, porque pueden dañar el interior del refrigerador.

- Lave el interior con un limpiador suave o una solución de detergente líquido para platos y agua tibia.
- Enjuague con una solución de bicarbonato de sodio y agua limpia.
- Seque con un paño limpio.
- Vuelva a poner toda la comida de vuelta en el refrigerador.

Sellado de las puertas:

Si la puerta no se sella bien, se acumulará un exceso de escarcha dentro del refrigerador. Compruebe que la puerta se selle correctamente:

- Cierre la puerta con un pedazo de papel del tamaño de un billete de dólar (ver ART00980).
- Tire suavemente del papel.
 - Debería sentirse una ligera resistencia entre la junta y el gabinete.
 - Haga esto en los cuatro lados de la puerta.
 - Si no siente una ligera resistencia en el papel, significa que la puerta no está sellando correctamente.
 - Solicite a su distribuidor o a un centro de servicio autorizado de Norcold que corrijan el sellado de la puerta.



Almacenamiento del refrigerador:

Antes de almacenar el refrigerador durante tiempos prolongados (estacionales):

- Descongele y limpie el interior del refrigerador.
- Deje las puertas abiertas o semiabiertas.

Resolución de problemas

Si el refrigerador no se enfría correctamente:

- Compruebe que el botón del termostato no esté en la posición 0.
- Compruebe que el control del compartimiento esté en el ajuste de temperatura deseado.
- Compruebe que la fuente de alimentación del refrigerador esté en buen estado.
- Compruebe que el fusible o interruptor automático esté intacto (consulte "Sistema de protección contra sobrecorriente").
- Compruebe que el refrigerador esté bien instalado y que las aberturas de ventilación no estén bloqueadas.
- Compruebe que la temperatura ambiente no esté inusualmente elevada (más de 43° C / 110° F) (consulte "Uso del dispositivo de apagado por sobrecalentamiento").
- Compruebe que las puertas estén cerradas.
- Compruebe que las juntas de las puertas estén sellando correctamente.
- Compruebe que el aire dentro del refrigerador circule libremente, sin interferencias causadas por alimentos o estantes cubiertos con plástico, papel, etc.
- Compruebe que no se hayan puesto alimentos calientes en el compartimiento de alimentos frescos del refrigerador.
- Compruebe que el congelador esté descongelado.

Si el refrigerador aún no funciona tras hacer estas comprobaciones, comuníquese con su distribuidor o con un centro de servicio autorizado de Norcold.

Uso del dispositivo de apagado por sobrecalentamiento:

El funcionamiento del refrigerador a altas temperaturas ambientales puede sobrecalentar el compresor y causar fallas prematuras del compresor (consulte la etiqueta que está dentro del refrigerador).

Para proteger el compresor contra sobrecalentamientos, el refrigerador se apagará automáticamente si temperatura del módulo eléctrico supera los 212 °F (100 °C). El refrigerador no se reiniciará sino hasta que la temperatura del módulo eléctrico caiga por debajo de 176 °F (80 °C).

Sistema de protección contra bajo voltaje:

Para activar el refrigerador inicialmente se requiere un voltaje de 10.9 voltios. Para evitar la descarga total de la batería, el refrigerador se apagará automáticamente si el suministro de voltaje de CC está demasiado bajo. El refrigerador se reiniciará únicamente cuando aumente el suministro de voltaje de CC. Los niveles de voltaje de apagado y reinicio son:

Operación 12 VCC

Apagado 10.4 VCC

Reinicio 11.8 VCC

Sistema de protección contra sobrecorriente:

El circuito electrónico del refrigerador está diseñado con un sistema de protección contra sobrecorriente, para evitar daños al inversor por causa de una conexión de polaridad inversa.

Si el refrigerador no funciona y la luz de alimentación azul no se enciende, revise el fusible (situado en línea con el conector de CC) y la polaridad de la fuente de alimentación de CC. Si el refrigerador aún no funciona, podría haber otro problema en el módulo eléctrico. Encargue la revisión del refrigerador a un centro de servicio autorizado de Norcold.

Lista de comprobaciones para el mantenimiento del refrigerador

Lea y entienda las siguientes secciones de mantenimiento de este manual.

AVISO

Norcold no se hace responsable de labores de instalación, ajuste, alteración, servicio o mantenimiento realizadas por nadie que no sea un centro de servicio autorizado de Norcold.

Encargue estas comprobaciones anuales de seguridad y mantenimiento a un centro de servicio autorizado de Norcold.

- Compruebe que los voltajes de CC estén correctos (consulte “Requisitos de corriente eléctrica”).
- Las conexiones del cableado deben estar limpias, apretadas y sin corrosión. Si cualquiera de estos aspectos no está correcto:
 - Se producirá una caída de voltaje en el refrigerador.
 - La caída de voltaje afectará el enfriamiento del refrigerador.

PRECAUCIÓN

Desconecte el cable positivo (+) de la fuente de alimentación de CC de la batería antes de hacerle a esta una “carga rápida”. Si se deja conectado el cable positivo (+) de la fuente de alimentación de la batería durante una “carga rápida”, se podrían dañar el refrigerador u otros electrodomésticos de 12 voltios de CC.

Piezas de repuesto

Podrá adquirir piezas de repuesto a través de su distribuidor o de un centro de servicio autorizado de Norcold.

PRECAUCIÓN

Si el cable de alimentación está dañado, encárguele su reemplazo al fabricante, su agente de servicio o a un personal igualmente capacitado, para así evitar peligros.

Ilustración del cableado

A continuación se indican las piezas del diagrama de cableado (ART02803):

- | | |
|--------|--|
| 1..... | Tarjeta de control principal |
| 2..... | Fuente de alimentación (entrada) de 12 VCC |
| 3..... | Cable de fusible |
| 4..... | Tarjeta de control del compresor |
| 5..... | Ventilador del condensador |
| 6..... | Regulador de engranaje |
| 7..... | Sensor de temperatura |
| 8..... | Panel de luz infrarroja |
| 9..... | Resistor de corte de voltaje |

