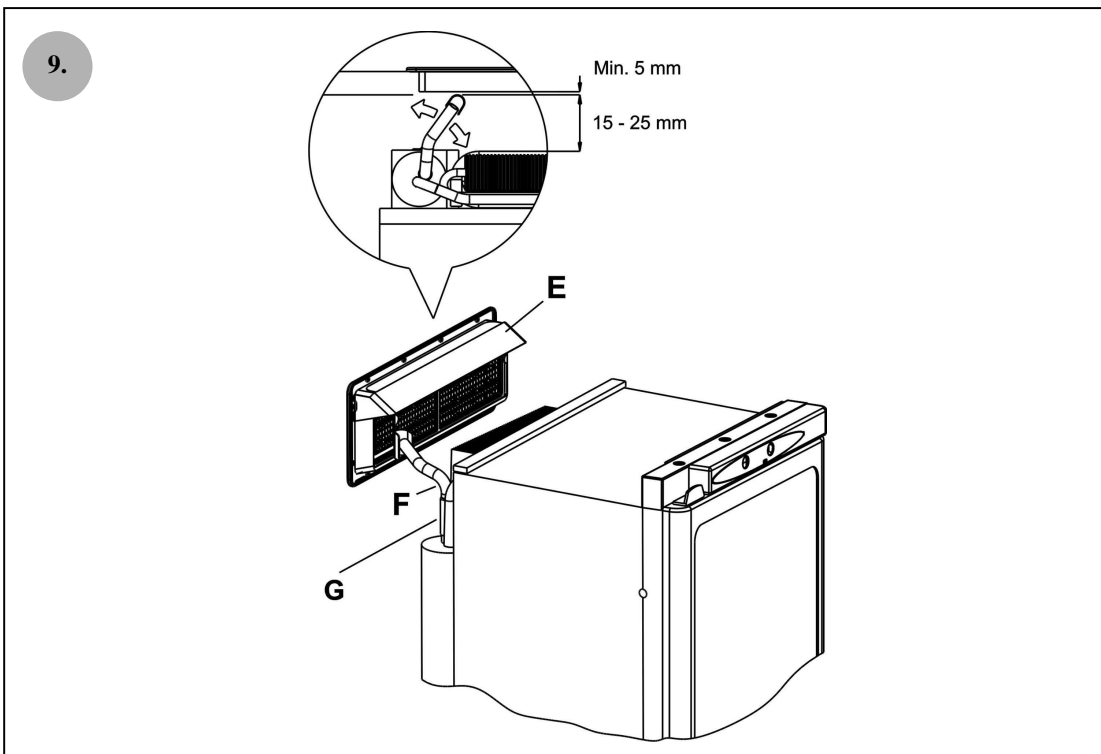
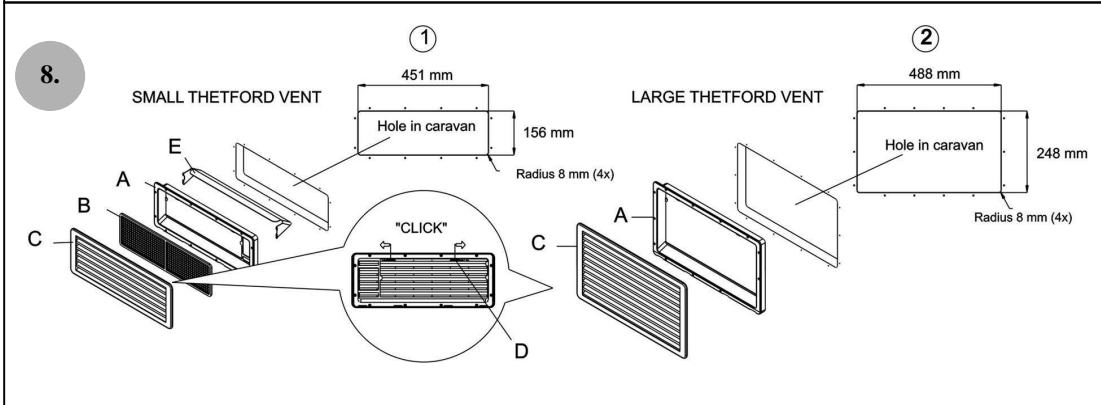
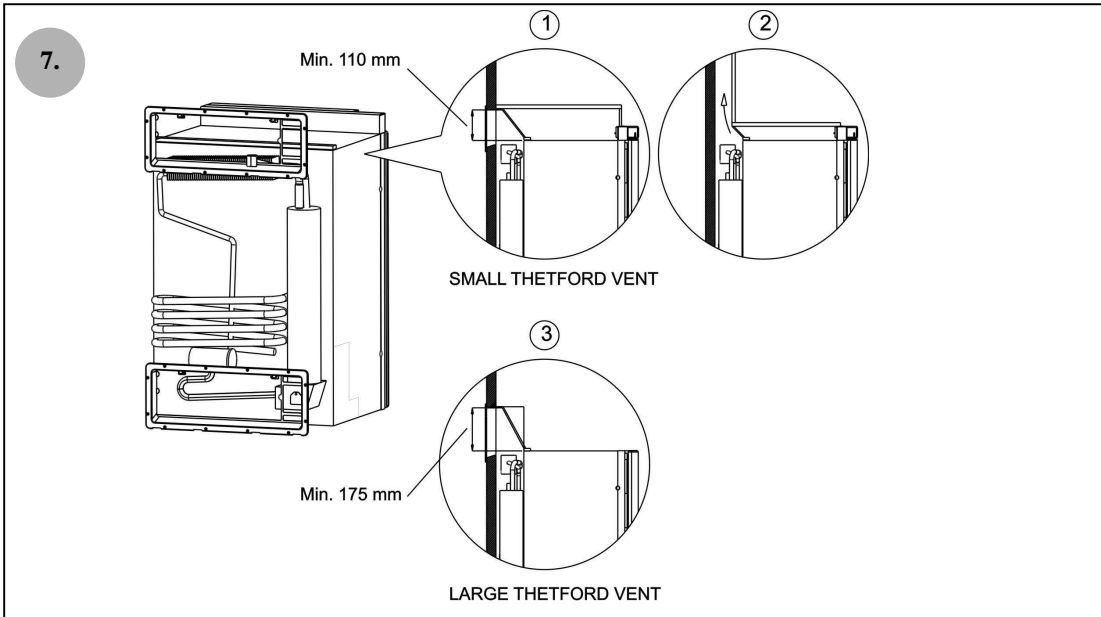


Amendment on the Thetford Installation manuals concerning Large Vent Installation.

FIGURES



Amendment on the Thetford Installation manuals concerning Large Vent Installation.

4.1 Installation ventilation gratings



- Install the ventilation gratings exactly as described in this manual. Any other method of installation will invalidate the manufacturer's warranty for the refrigerator.
- Always fit the ventilation gratings at the rear of the refrigerator. Fitting them at the side will reduce the refrigerator's cooling capacity.

6. FIGURE 6: The lower ventilation grating

See the current installation manual.

7. FIGURE 7: The upper ventilation grating

The installation of the upper ventilation grating influences the cooling capacity. The best result is achieved when this grating is installed as far above the condenser as possible. For Thetford small vents use at least 110 mm distance between the top of the refrigeration cabinet and the top of the ventilation cut-out. Situation [1] is the preferred installation procedure for small vents and creates there the optimal cooling capacity. Situation [3] is the preferred installation procedure for large vents and creates there the optimal cooling capacity. Situation [2] is without a ventilation grating at the topside of the fridge, but with a chimney on the roof, which is also a possibility.

4.2 Installation ventilation gratings

8. FIGURE 8: A ventilation system comprises of two sets of a vent frame [A], a vent screen [B], and a vent outer [C]. The large vents do not have a vent screen [B]. To install the ventilation gratings, make, using the templates provided, a horizontal rectangular recess in the wall of the caravan or motor home.

1. Use the accompanying template to cut out the ventilation recess.
2. Seal the vent frame [A] in a watertight way by means of sealant or butyl tape.
3. **Only for the upper ventilation grating a small vents:** assembly the vent cap [E] together with the vent frame
4. Position the vent frame [A] in place.
5. Place the vent screen [B] in the vent frame (only for small vents).
6. Place the vent outer [C] over the vent frame [A] and fasten it with the two retaining slides [D].

5. EXTRACTION OF COMBUSTION GASES

See the current installation manual.

5.1 Installing the flue exhaust system

9. FIGURE 9: The exhaust tube [F] takes care of transporting the exhaust fumes. By rotating (see arrows) the exhaust tube and sliding it over the flue [G] you can adjust it so that the outlet of the exhaust is in the position as shown in the drawing below.



- It is important to always keep a distance of 5mm minimum from the vent!
- The outlet of the exhaust tube has to be positioned as low as possible.
- When positioned correctly, use the clamp to fix the exhaust tube to the flue of the refrigerator.

Only for N145/ N150/N175/N180:

You do not need to install a separate exhaust tube. The combustion gases will automatically be extracted properly via the upper ventilation grating after installation of the refrigerator.