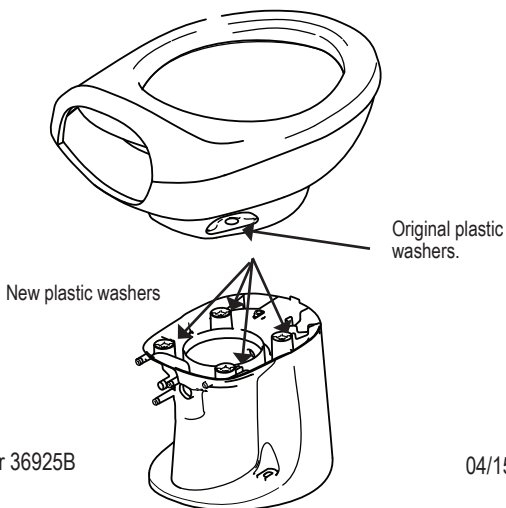


This is an addendum to the Style Lite and Style Plus Waste Ball and Seal Kit literature for service kits 34117, 34106, and 34120.

Instructions:

Do the following steps before you place the bowl back on the base.
(Refer to *Install New Waste Ball* in the original service kit literature.)

1. Put one .030 thick plastic washer onto each mounting post. (Refer to the arrows in the graphic.)
2. Put the bowl onto the base.
3. Reach into the side opening on the toilet bowl and reposition the four original plastic washers onto the mounting posts.
4. Thread the metal washer and nut onto the mounting posts and tighten.

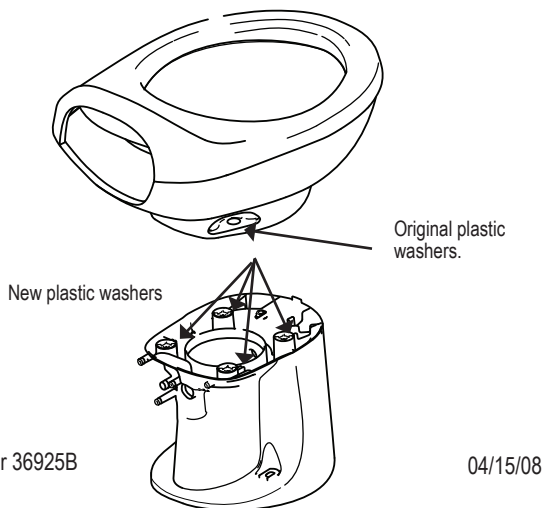


This is an addendum to the Style Lite and Style Plus Waste Ball and Seal Kit literature for service kits 34117, 34106, and 34120.

Instructions:

Do the following steps before you place the bowl back on the base.
(Refer to *Install New Waste Ball* in the original service kit literature.)

1. Put one .030 thick plastic washer onto each mounting post. (Refer to the arrows in the graphic.)
2. Put the bowl onto the base.
3. Reach into the side opening on the toilet bowl and reposition the four original plastic washers onto the mounting posts.
4. Thread the metal washer and nut onto the mounting posts and tighten.

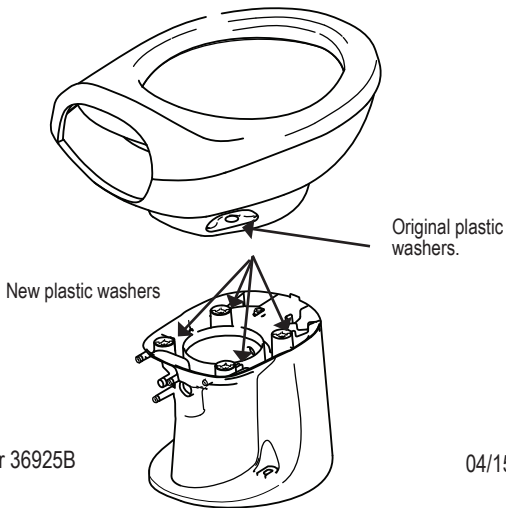


This is an addendum to the Style Lite and Style Plus Waste Ball and Seal Kit literature for service kits 34117, 34106, and 34120.

Instructions:

Do the following steps before you place the bowl back on the base.
(Refer to *Install New Waste Ball* in the original service kit literature.)

1. Put one .030 thick plastic washer onto each mounting post. (Refer to the arrows in the graphic.)
2. Put the bowl onto the base.
3. Reach into the side opening on the toilet bowl and reposition the four original plastic washers onto the mounting posts.
4. Thread the metal washer and nut onto the mounting posts and tighten.



This is an addendum to the Style Lite and Style Plus Waste Ball and Seal Kit literature for service kits 34117, 34106, and 34120.

Instructions:

Do the following steps before you place the bowl back on the base.
(Refer to *Install New Waste Ball* in the original service kit literature.)

1. Put one .030 thick plastic washer onto each mounting post. (Refer to the arrows in the graphic.)
2. Put the bowl onto the base.
3. Reach into the side opening on the toilet bowl and reposition the four original plastic washers onto the mounting posts.
4. Thread the metal washer and nut onto the mounting posts and tighten.

