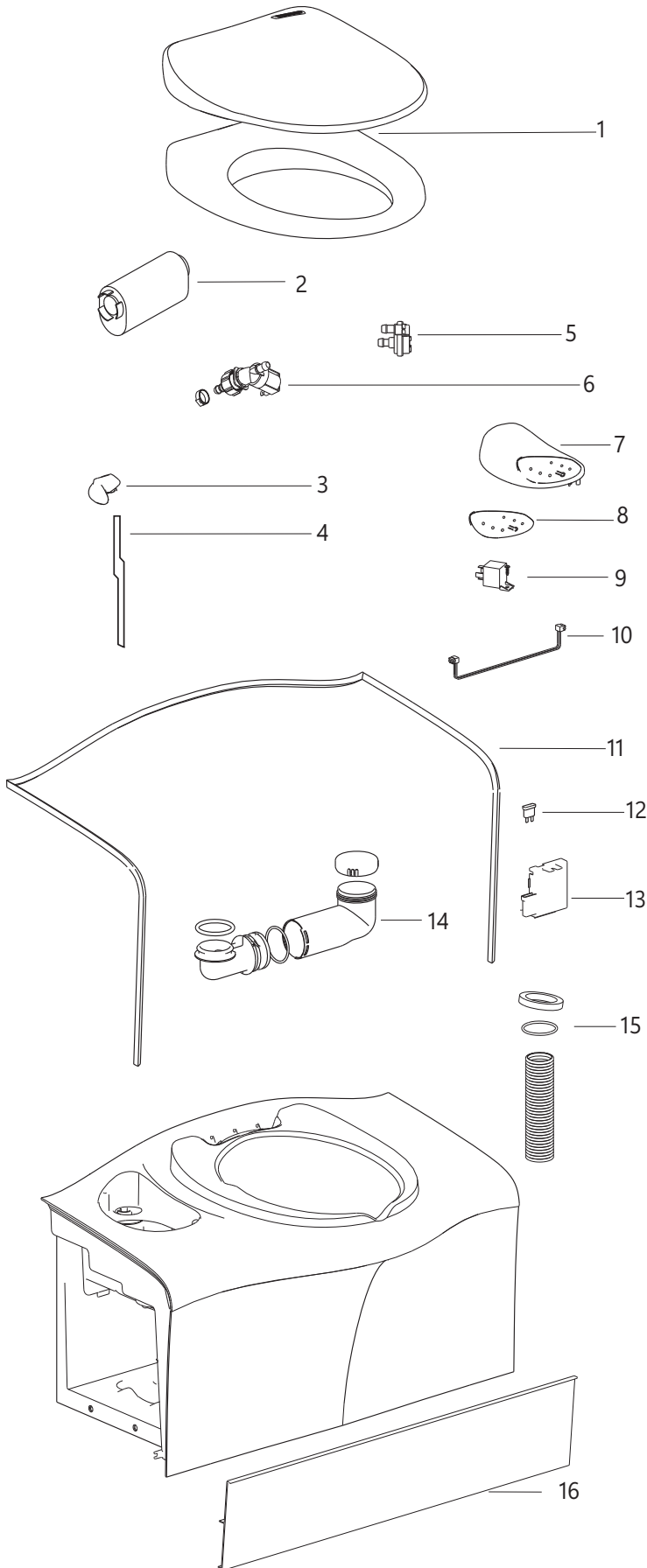


Cassette® C402C/C403L



Key No.	Part No.	Description
1	5181462	Seat and Cover
	32309	<i>Superseded by 5181462</i>
2	29027	Pump – C402C
	33368	<i>Superseded by 29027</i>
3	5180362	Handle
	51803	<i>Superseded by 5180362</i>
4	51802	Handle Shaft
5	16833	Vacuum Breaker – C403L
6	23709	Electric Valve – C403L
7	5181062	Control Panel – C402C
	32320	<i>Superseded by 5181062</i>
	5181262	Control Panel – C403L
	32313	<i>Superseded by 5181262</i>
8	32321	Overlay for Control Panel – C402C
	32314	Overlay for Control Panel – C403L
9	20106	Relay – C403L
10	32319	Wire Harness
11	32311	Wall Seal (Optional)
12	16451	Fuse 3 Amp
	33342	<i>Superseded by 16451</i>
13	3231662	Reed Switch – C402C
	32316	<i>Superseded by 3231662</i>
	3231762	Reed Switch – C403L
	32317	<i>Superseded by 3231762</i>
14	3231506	Water Fill Funnel with Cap – C402C
	32315	<i>Superseded by 3231506</i>
15	32324	Vent Hose and Seal – C403L
16	3243462	Kicking Plate LB with Clips – C402C
	32192	<i>Superseded by 3243462</i>
	3243362	Kicking Plate HB with Clips – C403L
	32156*	<i>Superseded by 3243362</i>

Not available

* Limited Availability

Cassette[®] C402C/C403L

Not Shown	
Part No.	Description
3232606	Complete Holding Tank– Left Hand
32326	<i>Superseded by 3232606</i>
3232706	Complete Holding Tank – Right Hand
32327	<i>Superseded by 3232706</i>
5180474	Drain Tube
51804	<i>Superseded by 5180474</i>

 Not available