

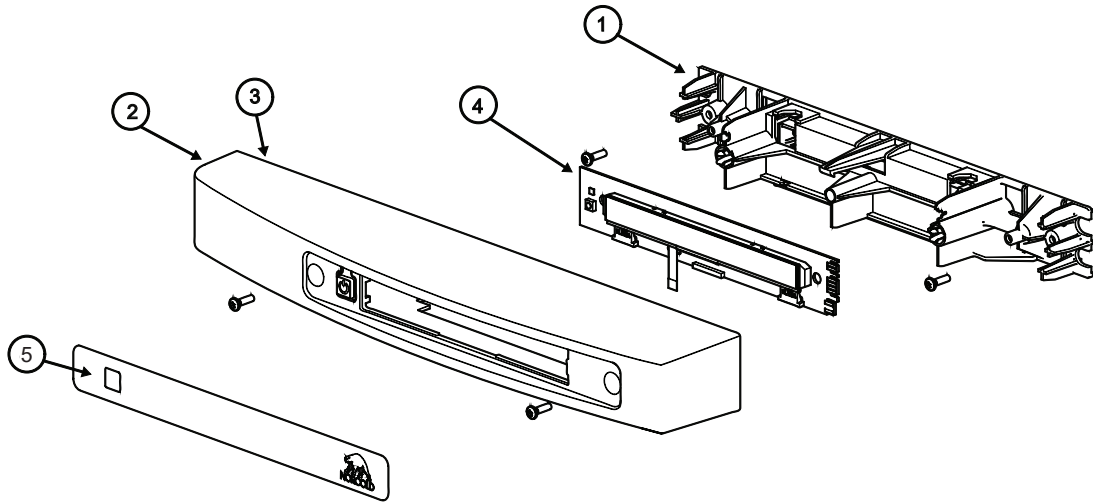
---

# NORCOLD<sup>®</sup>

## Parts List

N4000 Series  
N4104, N4141, N4150

# CONTROL PANEL - N4104 / N4150 SERIES

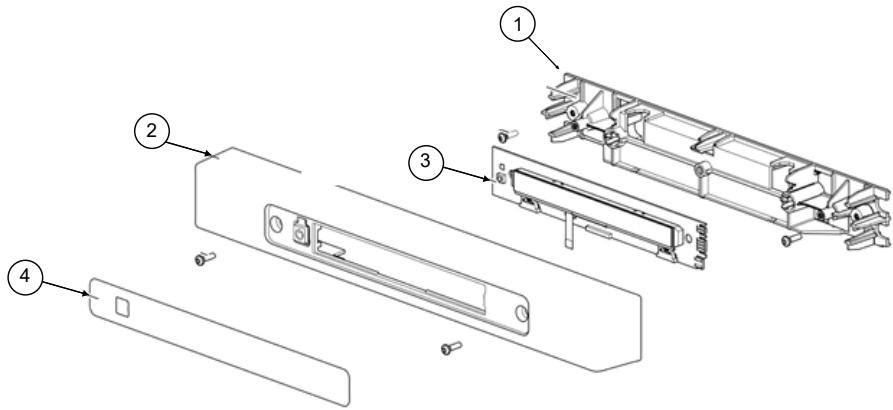


ART 02750

NO.	PART #	DESCRIPTION	N4104	N4150
1	690869*	DISPLAY BOARD MOUNTING BRACKET	X	X
2	69087027	HOUSING-CURVED LEFT (FOR LH HINGE)	X	X
3	69087127*	HOUSING-CURVED RIGHT (FOR RH HINGE)	X	X
4	692246	PCB LCD DM	X	X
5	692251	STICKER LCD	X	X

NOT AVAILABLE  
 \* LIMITED AVAILABILITY

**CONTROL PANEL - N4141 SERIES**



ART 02762

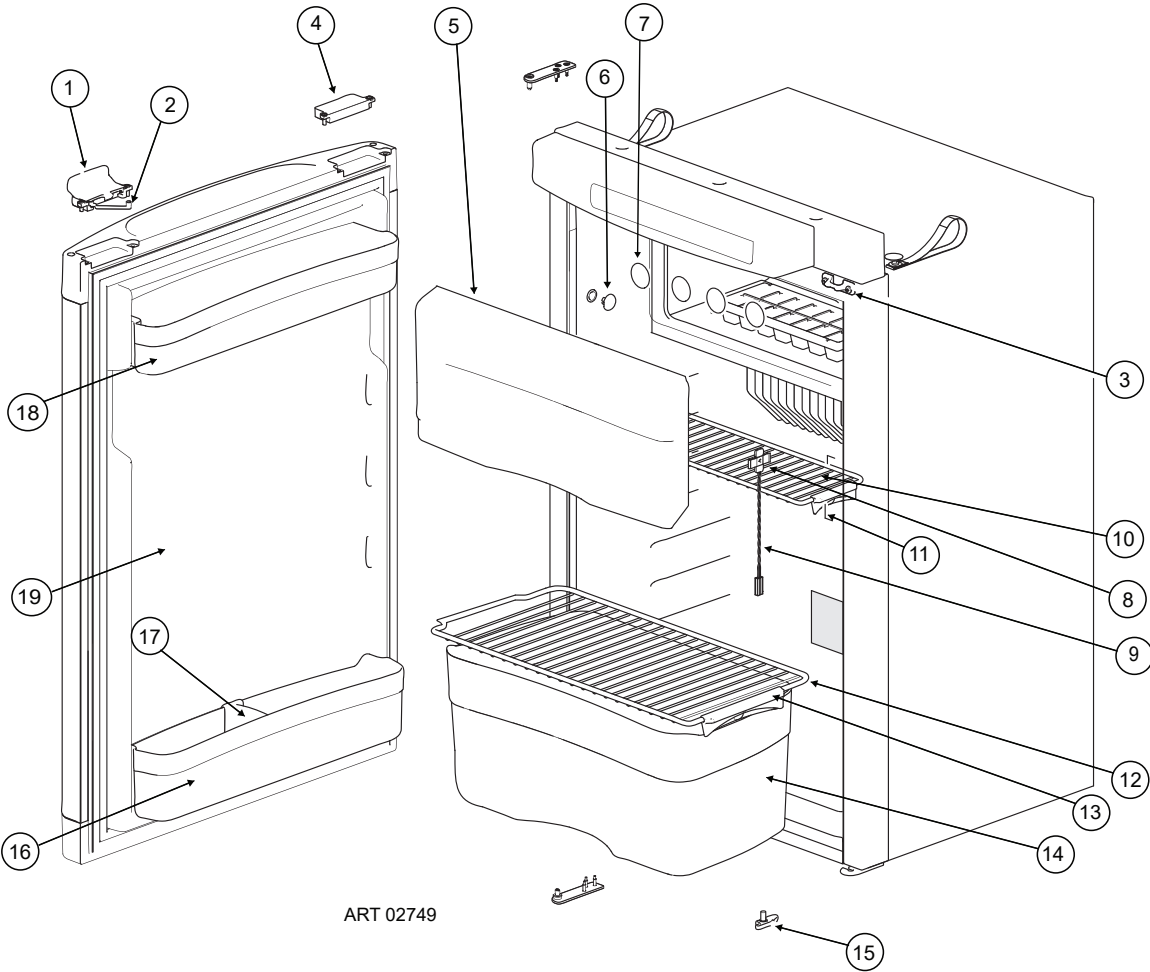
NO.	PART #	DESCRIPTION	N4141
1	691102	TECHNICAL PANEL FLAT	X
	639217*	KIT SERVICE CONTROL HOUSING REPLACEMENT	X
2	691104	HOUSING FLAT	X
3	692246	PCB LCD DM	X
4	692251	STICKER LCD	X



NOT AVAILABLE

\* LIMITED AVAILABILITY

CABINET AREA (FRONT VIEW) - N4104



## CABINET AREA (FRONT VIEW) - N4104

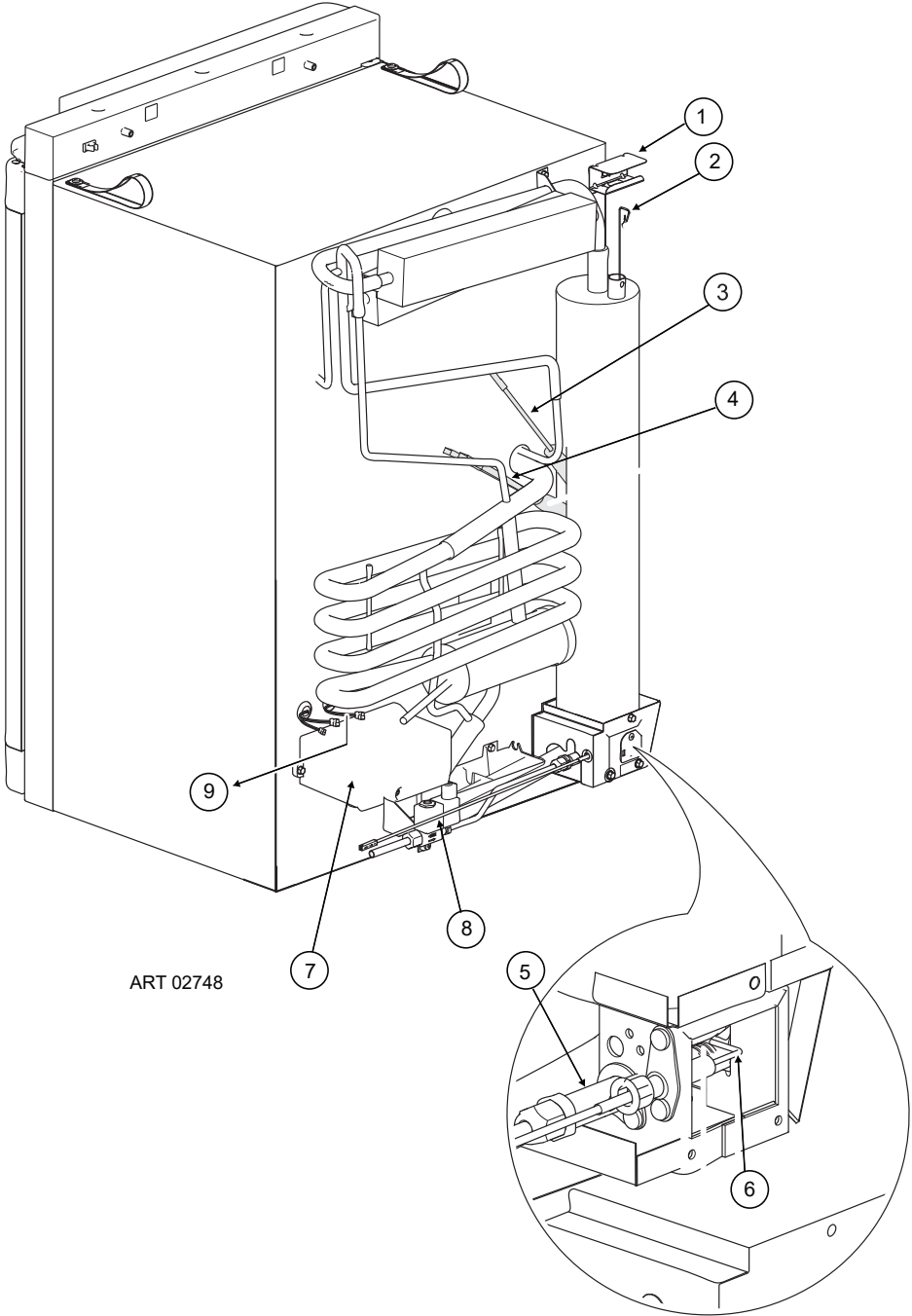
NO.	PART #	DESCRIPTION	N4104
1-4	69173927*	LATCH AND POCKET COVER KIT	X
5	690852	FREEZER DOOR AND HINGES (2)	X
6	62362208*	CAP (CONTAINS 2 CAPS)	X
7	62447908*	CAP- FREEZER BOLT (CONTAINS 12 CAPS)	X
8	623059*	FIN CLIP	X
9	623077	THERMISTOR	X
10	690815	<i>SHELF 455 x 133</i>	X
11	62362608	SHELF CLIP-SMALL	X
12	69082808	<i>SHELF 454 X 220</i>	X
13	62362508	SHELF CLIP-LARGE	X
14	69082908	<i>VEGETABLE BIN</i>	X
15	62400127*	LATCH BOTTOM	X
16	69082408	DOOR BIN-CURVED WIDE	X
17	62698912*	BOTTLE RETAINER	X
18	69082308	DOOR BIN-CURVED SHALLOW	X
19	690152107R	LOWER DOOR	X
NS	69021727	KIT-LH TO RH DOOR SWING	X
NS	69021827*	KIT-RH TO LH DOOR SWING	X
NS	635010	<i>SR NEW STYLE HINGE SNG DOOR</i>	X
NS	635011	<i>SR NEW STYLE HINGE DBL DOOR</i>	X

NS NOT SHOWN

 NOT AVAILABLE

\* LIMITED AVAILABILITY

CABINET AREA (REAR VIEW) - N4104



## CABINET AREA (REAR VIEW) - N4104

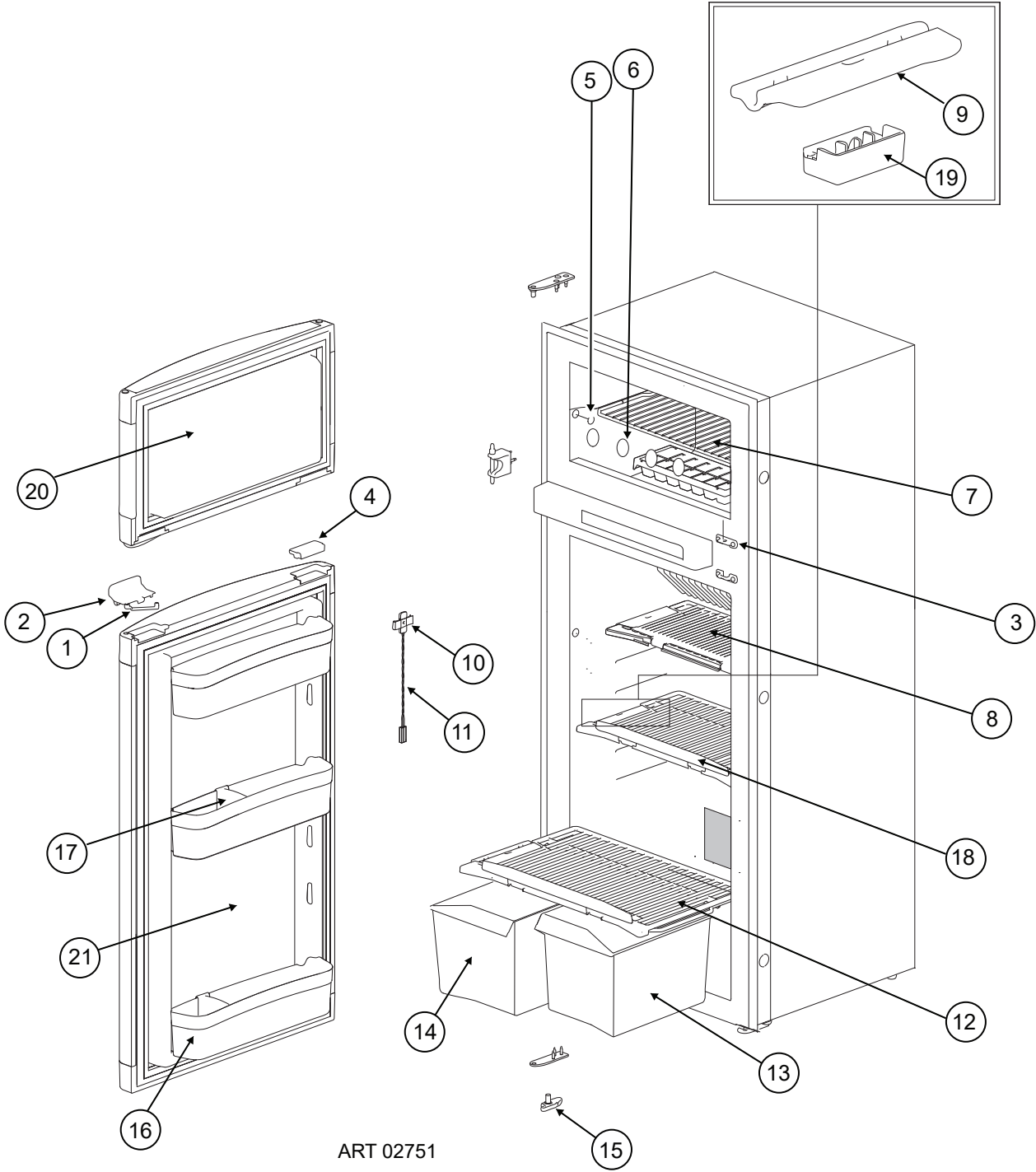
NO.	PART #	DESCRIPTION	N4104
1	636865	HEAT CAP	X
2	690878	HEAT DIFFUSER	X
3	636866	HEATER-AC	X
4	636867*	HEATER-DC	X
5	636868	BURNER ASSEMBLY	X
6	690830	SPARK ELECTRODE	X
7	692249	POWER CONTROL BOARD	X
8	636873	GAS VALVE	X
9	636874	THERMISTOR CABLE (CONNECTORS INCLUDED)	X
10	636875*	KIT SERV COMMUNICATION CABLE REPLACEMENT	X
NS	636876	KIT SERV FAN REPLACEMENT	X
NS	636877*	KIT SERV THERMOSTAT FAN	X
NS	691446	KIT SERV POWER CORD 120VAC	X
NS	634987	WIRE HARNESS - SOLENOID GAS VALVE	X

NS NOT SHOWN

 NOT AVAILABLE

\* LIMITED AVAILABILITY

CABINET AREA (FRONT VIEW) - N4150



ART 02751



## CABINET AREA (FRONT VIEW) - N4150

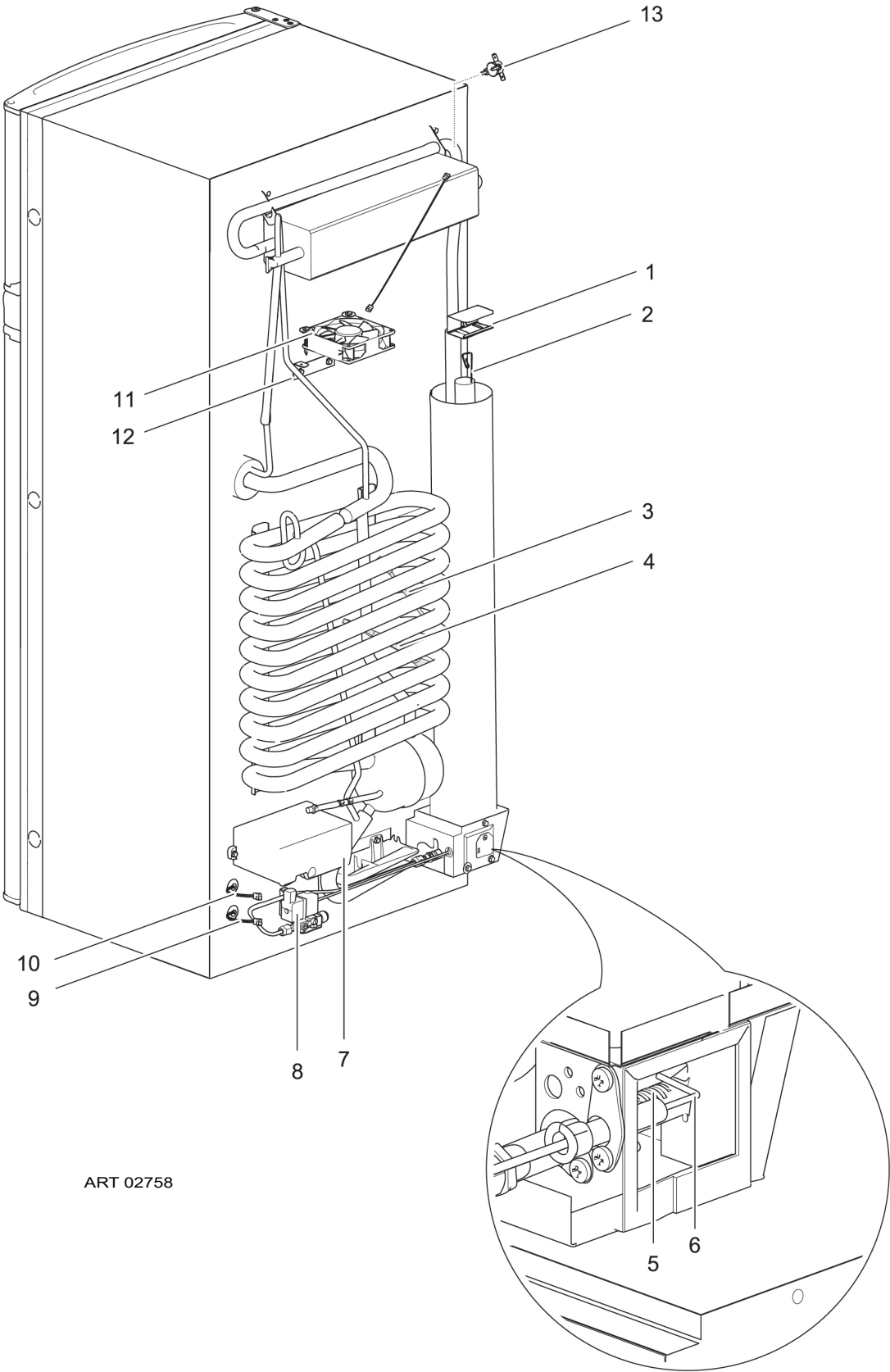
NO.	PART #	DESCRIPTION	N4150
1-4	69173927*	LATCH AND POCKET COVER KIT	X
5	62362208*	CAP (CONTAINS 2 CAPS)	X
6	62447908*	CAP-FREEZER BOLT (CONTAINS 12 CAPS)	X
7	690843	<i>SHELF 404 x 238.5</i>	X
8	692510	<i>SHELF RACK 415 x 150</i>	X
9	692513*	<i>CLIP SHELF RACK SMALL</i>	X
10	623059*	FIN CLIP	X
11	623077	THERMISTOR	X
12	692511*	SHELF RACK 415 x 200	X
13	692523*	VEGETABLE BIN RIGHT	X
14	692522	<i>VEGETABLE BIN LEFT</i>	X
15	62400127*	LATCH BOTTOM	X
16	692520	<i>DOOR BIN CURVED</i>	X
17	692521	<i>BOTTLE RETAINER</i>	X
18	692516	<i>FOOD RETAINER</i>	X
19	692515*	CLIP RACK SAFETY LOCK	X
20	692372107R	KIT SERV UPPER DOOR	X
21	690153107R	KIT SERV LOWER DOOR	X
NS	69021527	KIT LH TO RH DOOR SWING	X
NS	69021627	KIT RH TO LH DOOR SWING	X
NS	635010	<i>SR NEW STYLE HINGE SNG DOOR</i>	X
NS	635011	<i>SR NEW STYLE HINGE DBL DOOR</i>	X

NS NOT SHOWN

 NOT AVAILABLE

\* LIMITED AVAILABILITY

CABINET AREA (REAR VIEW) - N4150



ART 02758

## CABINET AREA (REAR VIEW) - N4150

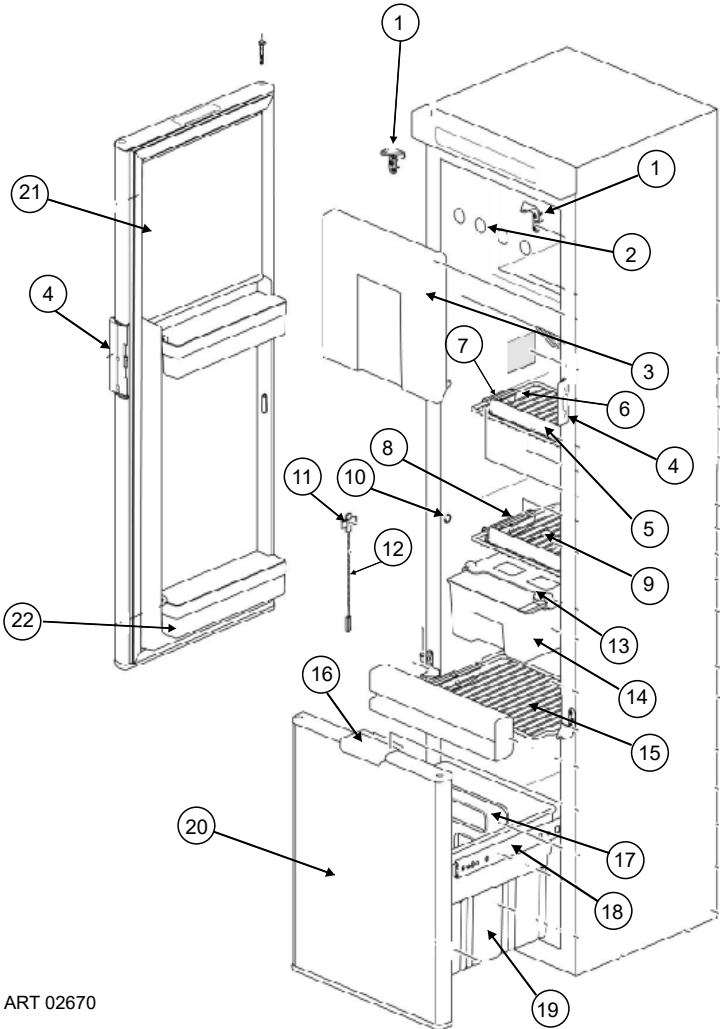
NO.	PART #	DESCRIPTION	N4150
1	636865	HEAT CAP	X
2	690879	HEAT DIFFUSER	X
3	638215*	HEATER AC	X
4	639192	HEATER DC	X
5	623058	BURNER ASSEMBLY	X
6	690840	SPARK ELECTRODE	X
7	692249	POWER CONTROL BOARD	X
8	636873	GAS VALVE	X
9	636874	THERMISTER CABLE	X
10	636875*	COMMUNICATION CABLE	X
11 & 12	636876	FAN AND BRACKET	X
13	636877*	KIT SERV THERMOSTAT FAN	X
NS	691446	KIT SERV POWER CORD 120VAC	X
NS	634987	WIRE HARNESS - SOLENOID GAS VALVE	X

NS NOT SHOWN

 NOT AVAILABLE

\* LIMITED AVAILABILITY

CABINET AREA (FRONT VIEW) - N4141



ART 02670

## CABINET AREA (FRONT VIEW) - N4141

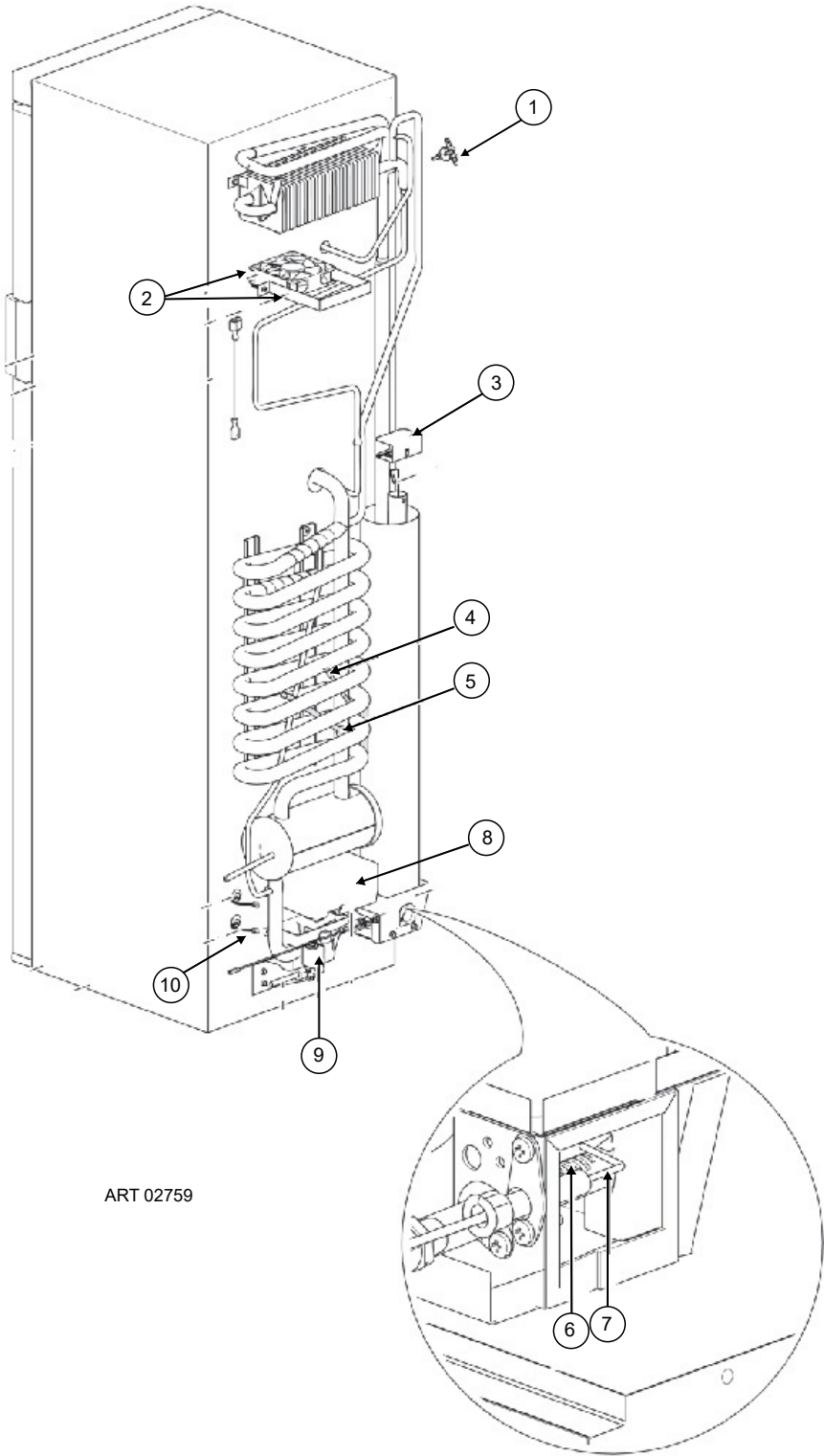
NO.	PART #	DESCRIPTION	N4141
1	691456	KIT - HINGE LH/RH	X
2	62447908*	CAP FREEZER BOLT	X
3	639186	<i>FREEZER DOOR &amp; HINGES (2)</i>	X
4	691113	KIT- DOOR HANDLE	X
5	691114	<i>SHELF FOOD RETAINER</i>	X
6	691730	<i>SHELF</i>	X
7	62362608	SHELF CLIP- SMALL	X
8	62362508	SHLEF CLIP- LARGE	X
9	691731*	SHELF	X
10	62362208*	CAP (2)	X
11	623059*	FIN CLIP	X
12	623077	THERMISTOR	X
13	691118	<i>GUIDING COVER</i>	X
14	692253	<i>SLIDE OUT BOX</i>	X
15	691732	<i>SHELF</i>	X
16	691287	<i>DRAWER HANDLE</i>	X
17	691120	<i>DRAWER DIVIDER</i>	X
18	691123*	DRAWER GUIDES	X
19	691288	<i>DRAWER BIN</i>	X
20	690521	<i>DRAWER DOOR</i>	X
21	690519	<i>CABINET DOOR</i>	X
22	692254	DOOR BIN	X
NS	690611	<i>DOOR PANEL RETAINER</i>	X

NS NOT SHOWN

 NOT AVAILABLE

\* LIMITED AVAILABILITY

CABINET AREA (REAR VIEW) - N4141



ART 02759

## CABINET AREA (REAR VIEW) - N4141

NO.	PART #	DESCRIPTION	N4141
1	636877*	THERMOSTAT DC FAN	X
2	636876	<i>KIT SERV FAN REPLACEMENT</i>	X
	639190	<i>BRACKET</i>	X
3	690839	<i>HEAT CAP</i>	X
4	638215*	KIT SERVICE HEATER REPLACEMENT	X
5	639192	KIT SERVICE HEATER REPLACEMENT	X
6	638986	BURNER ASSEMBLY	X
7	636872	SPARK ELECTRODE	X
8	692249	POWER CONTROL BOARD	X
9	636873	GAS VALVE	X
10	636874	<i>THERMISTOR CABLE</i>	X
NS	636875*	COMMUNICATION CABLE	X
NS	691446	<i>KIT SERV POWER CORD 120VAC</i>	X
NS	692583	<i>HEAT DIFFUSER</i>	X
NS	634987	<i>WIRE HARNESS - SOLENOID GAS VALVE</i>	X

NS NOT SHOWN

 NOT AVAILABLE

\* LIMITED AVAILABILITY