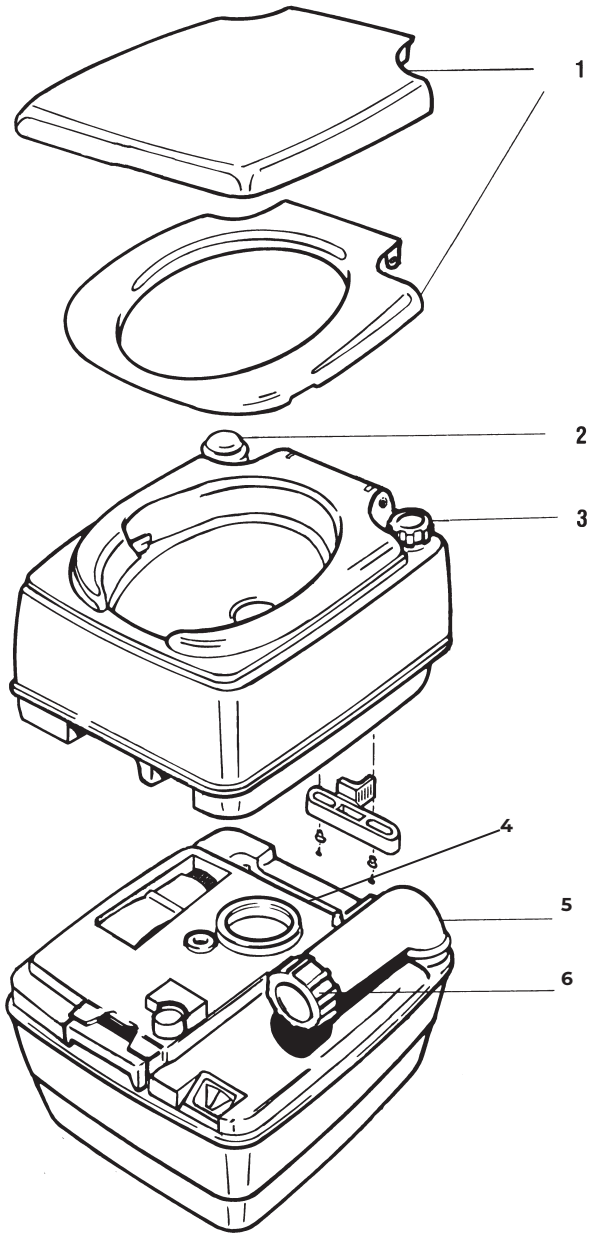


Porta Potti® 345/ Campa Potti® XG

Portable, Two-Piece,
Fresh Water Flush Toilet



| Key No. | Part No. | Description |
|---------|----------|----------------------------------|
| 1 | 0733179* | Seat and Cover Assembly (PP 345) |
| | 07331 | <i>Superseded by 0733179</i> |
| | 21317 | Seat and Cover Assembly (CP XG) |
| 2 | 25818 | Piston Pump Assembly (PP 345) |
| | 0786262 | Bellows Assembly (CP XG) |
| | 07862 | <i>Superseded by 0786262</i> |
| 3 | 35804 | No-Spill Water Fill Cap |
| 4 | 07101 | Lip Seal |
| 5 | 0749262 | Pour-Out Spout |
| | 07492 | <i>Superseded by 0749262</i> |
| 6 | 0749362 | Pour-Out Spout Cap |
| | 07493 | <i>Superseded by 0749362</i> |

| Not Shown | |
|-----------|----------------------------|
| Part No. | Description |
| 29311 | Flush Tube |
| 07024 | Inlet Tube Replacement Kit |

Not available

* Limited Availability