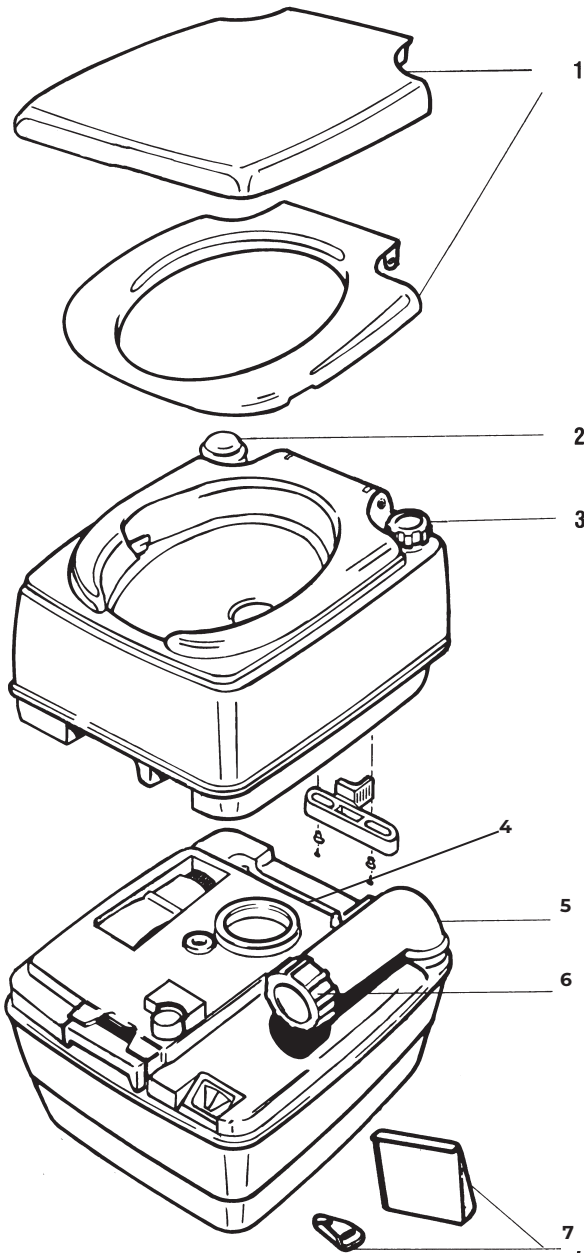


# Porta Potti®

555/565/735

Portable, Two-Piece,  
Fresh Water Flush Toilet



Key No.	Part No.	Description
1	0733179*	Seat and Cover Assembly (PP 735)
	07331	<i>Superseded by 0733179</i>
	N/A	<i>Seat and Cover Assembly (PP555/565)</i>
2	0786262	Bellows Assembly (PP 555/565)
	07862	<i>Superseded by 0786262</i>
	07024	Inlet Tube (PP 555/565)
	N/A	<i>Bellows Assembly (PP 735)</i>
	N/A	<i>Piston Pump Assembly (PP 735)</i>
3	35804	No-Spill Water Fill Cap
4	07101	Lip Seal
5	0749262	Pour-Out Spout
	07492	<i>Superseded by 0749262</i>
6	0749362	Pour-Out Spout Cap
	07493	<i>Superseded by 0749362</i>
7	35800	<i>Marine Hold Down Brackets (For Units with Notched Waste Holding Tanks)</i>

■ Not available

\* Limited Availability