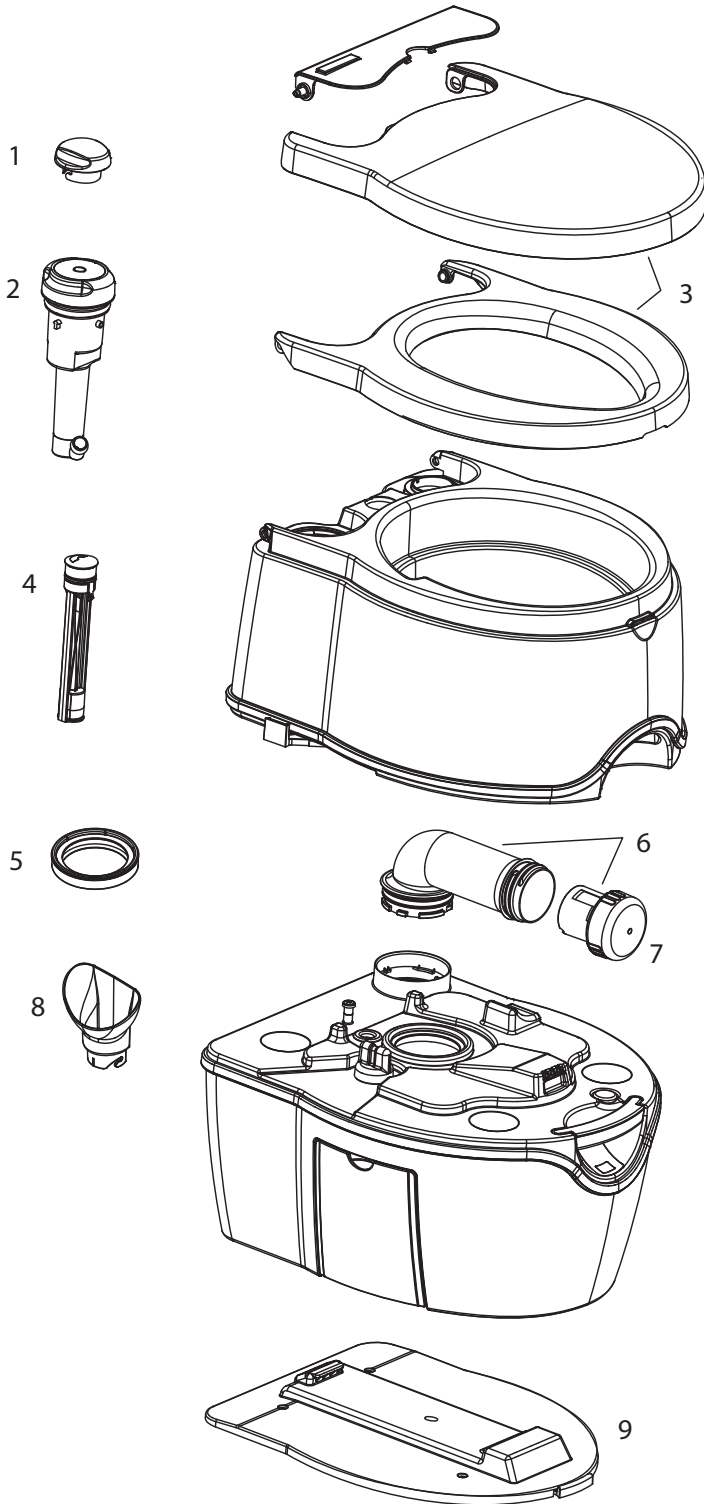


Porta Potti® Curve

565E/550E

Portable, Two-Piece,
Fresh Water Flush Toilet



Key No.	Part No.	Description
1	92404111	No-Spill Water Fill Cap
	92404	<i>Superseded by 92404111</i>
2	9240207	Electric Pump Assembly
	92402	<i>Superseded by 9240207</i>
3	92403111	Seat and Cover
	92403	<i>Superseded by 92403111</i>
4	92405111	Level Indicator
	92405	<i>Superseded by 92405111</i>
5	07101	Lip Seal
6	9240807	Pour-Out Spout with Cap
	92408	<i>Superseded by 9240807</i>
7	92406111	Cap/Measuring Cup
	92406	<i>Superseded by 92406111</i>
8	92414111	Water Fill Adapter
	92414	<i>Superseded by 92414111</i>
9	9241507	Floor Plate (Optional)
	92415	<i>Superseded by 9241507</i>

Not available