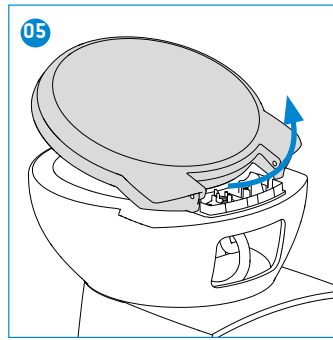
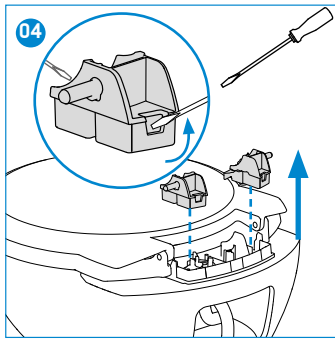
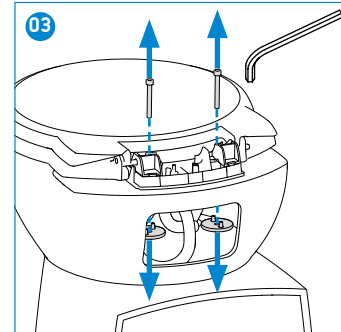
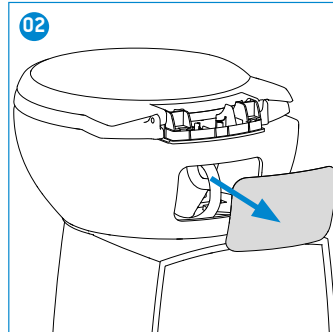
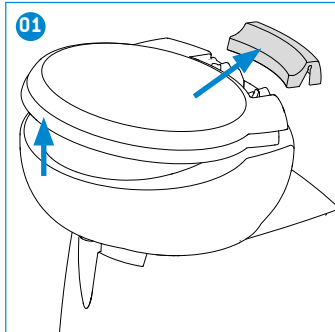
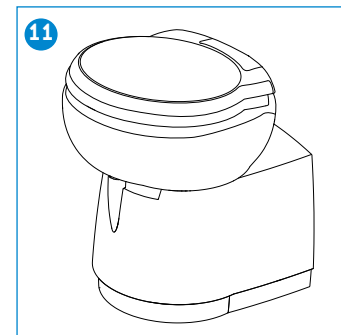
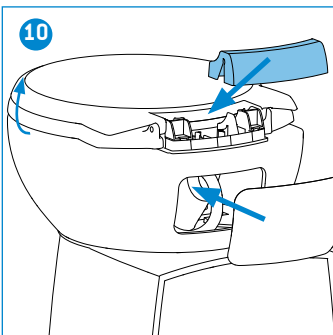
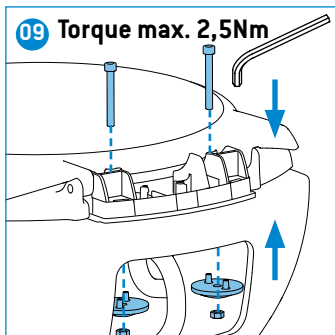
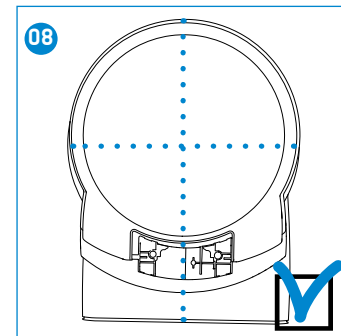
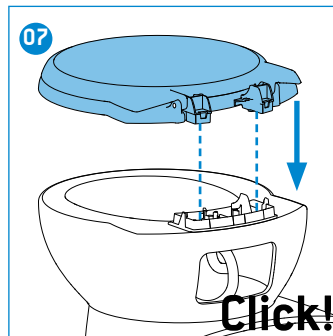
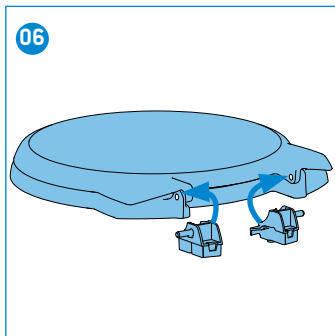


Instruction Fresh-up set for C250/260 ceramic bowl

A. Remove old seat, cover and pod



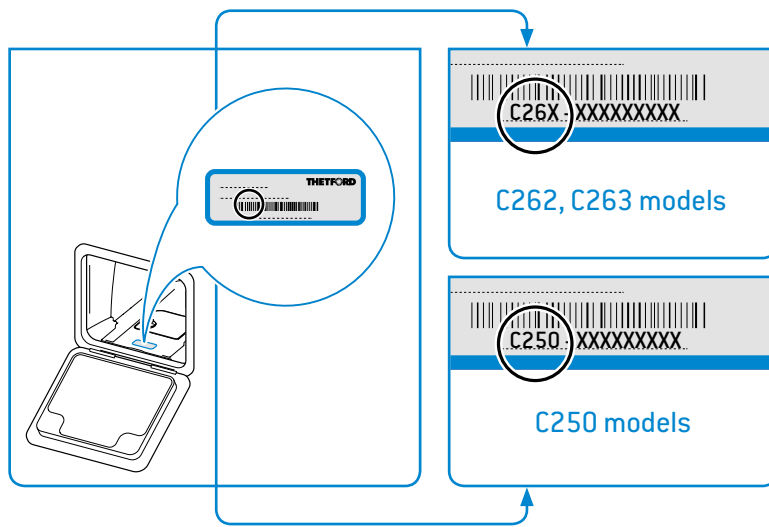
B. Install new seat, cover and pod



More video instructions on YouTube: <https://youtube.com/ThetfordEurope>



Instruction Fresh-up set for C250/C260 ceramic bowl



C. Replace bracket (for C250 models only)

