

Repair instruction

Refrigeration
Absorption Refrigerators
N3115/N4115

N3115/N4115 Door replacement kit

Spare part number: 691618

Content

1. Control panel Hobby
2. Sticker N3000 and sticker N4000 model
3. Screws control panel
4. Hinge lower
5. Screws hinge lower
6. Hinge pin lower
7. Washer hinge pin lower
8. Hinge upper
9. Screws hinge upper
10. Hinge pin upper
11. Foot fridge
12. Screws foot
13. Washers on top of foot



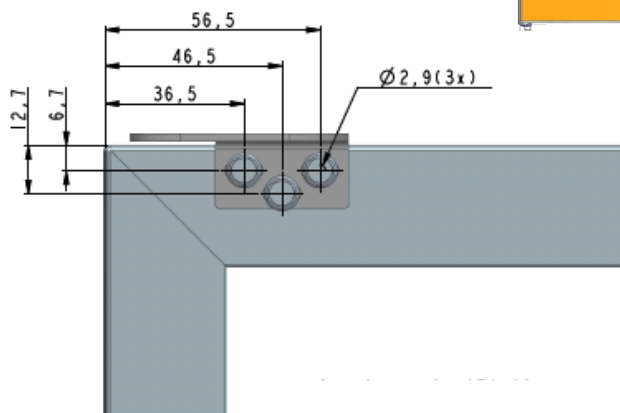
A

Remove the door from to new fridge and from the original Hobby fridge.



B

Drill 3 holes into the left corner of the cabinet and screw the top hinge on his position.
! Drill the holes exact on this position otherwise the door is not aligned!



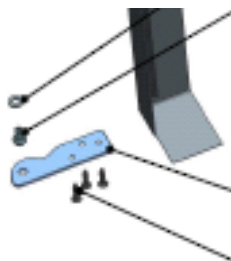
Repair instruction

Refrigeration
Absorption Refrigerators
N3115/N4115

N3115 Door replacement kit
Spare part number: 691618

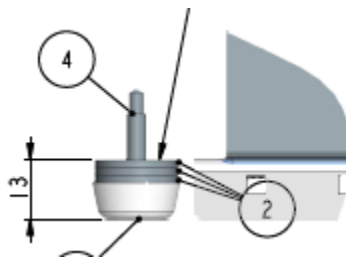
C

Remove the lower hinge plate from the new fridge and screw the lower hinge plate (nr 4) under the cabinet. Screw hinge pin lower (nr 6) into this plate and slide washer (nr 7) over it.



D

Remove the standard feet and screw the two foot (nr 11) with the 3 washer on top under the new cabinet again.



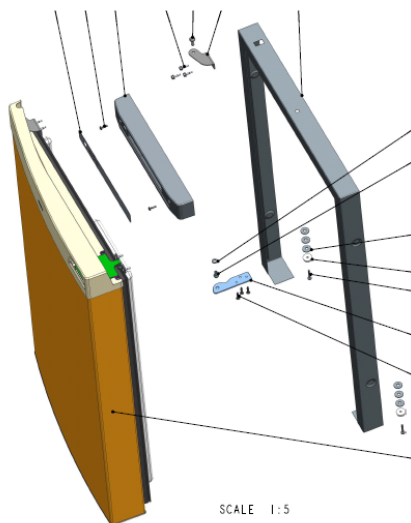
E

Remove the black control housing and install the grey housing (nr 1) and put the sticker (nr 2) on it.



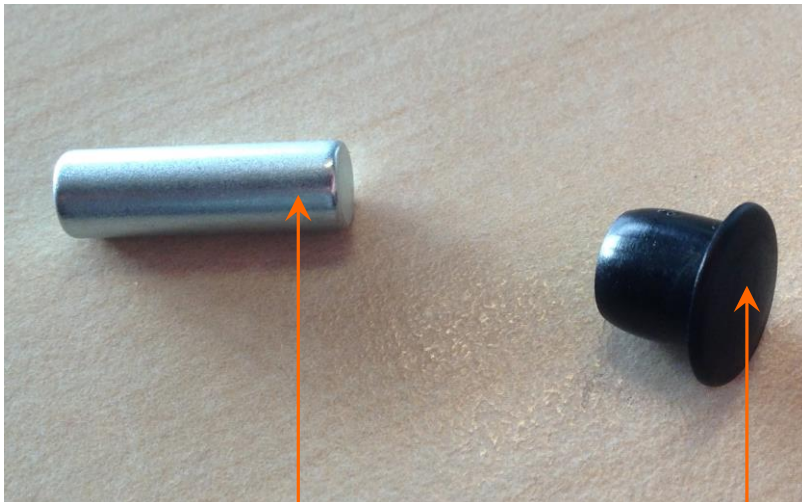
F

Put the original Hobby door on the prepared cabinet.



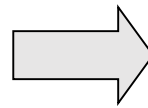
Repair instruction

Refrigeration
Absorption Refrigerators
N3115/N4115



Magnet Light Switch P4/5/6
Item.nr. 620028

Sierstop
Supplier: Skiffy
Art. nr. 054 085 222 003
Details see next sheet



Magnet is glued into the
sierstop with Sicomet.

Repair instruction

Refrigeration
Absorption Refrigerators
N3115/N4115

Position for the drilled hole in the topcap of the
Hobby fridge door.

