

**THETFORD**



# Hob 9 Series

Installation Manual

# EN

## Original Installation Manual

## Contents

1	Introduction.....	2
2	Symbols.....	2
3	Regulations and standards.....	3
4	Serviceability.....	4
5	Before installation.....	4
6	Position and placement.....	5
7	Connecting gas.....	7
8	Connecting electricity.....	7
9	After installation.....	8
10	Technical specifications.....	8
11	Servicing.....	9
12	Questions / customer service.....	9

## 1. Introduction

This is the installation manual for the Thetford SHB9 series hob. The manual is meant for qualified installers who will install the hob in a caravan, camper, boat or holiday home. Read the information and instructions carefully and follow them strictly to install the hob safely and correctly.

Also read the warnings in the user manual before testing the hob after installation.

Our policy is one of continuous development and improvement. Specifications and illustrations may change subsequent to publication.



If the appliance is not installed in accordance with national and European regulations, rules and standards this will void the warranty and may lead to criminal prosecution.

## 2. Symbols

Key to symbols:



**Warning.** Risk of injury and/or damage.



**Attention.** Important information.



**Note.** Additional information.

### 3. Regulations and standards

EN



Do not modify this appliance, unless the modification is authorised and carried out by the manufacturer or their agent.



Use only genuine and approved parts and materials.



Wear the correct Personal Protective Equipment during the installation. Also follow the applicable safety regulations.



Gas and electrical appliances should only be installed by qualified and certified professionals.



Ensure that the type of gas and pressure match the specification of the appliance. You can find the specification on the data badge.



Pay close attention to current regulations on ventilation in the country of use. The installation must provide for adequate air supply for combustion to the burners, safe removal of combustion products and avoidance of accumulation of unburned gases.



If it is not possible to install the appliance in accordance with these instructions, please refer to Thetford for further guidance.



For more information about ventilation regulations and requirements, see Position and placement.

## 4. Serviceability

The installer of Thetford products is responsible for proper installation to ensure the correct functionality and serviceability of the appliance. In terms of serviceability, this means that a dealer or an authorised Thetford service partner must be able to de-install and re-install the Thetford products within the time that is allowed according to the Thetford time-list, using standard tools and equipment.

This is to claim any warranty during the period of 3 years after purchase date. The serviceability of the product is also included in the audit. In case of any queries on this subject, please contact the Thetford local service representative before installing the product.

## 5. Before installation

Check the contents of the box:

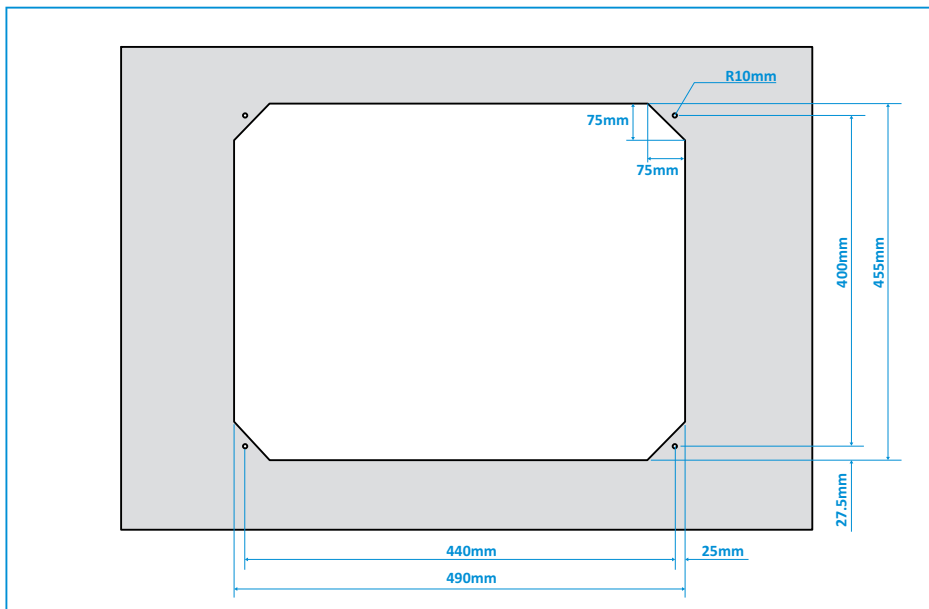
- SHB940 hob
- Template
- Threaded studs and nuts (4x)
- Washer and wings (4x)
- User manual
- Installation manual



If something is missing from the box, please contact your dealer.

## 6. Position and placement

- Remove all packaging materials from the appliance.
- Place the template on the worktop to check the dimensions.
- Draw the sizes and dimensions on the worktop as shown below.



EN

- Saw the cut-out.
- Drill the 4 holes with an electric drill with a 10mm drill bit.
- Install the hob in the worktop cut-out.



The appliance must be positioned free from draughts, which may effect the combustion. It must also be positioned in a manner that will prevent the accumulation of unburnt gas.



This appliance may be installed in a kitchen/kitchen diner but not in a room containing a bath or a shower. LPG appliances must not be fitted below ground level e.g. in a basement.



Follow the minimum dimensions shown in this manual. Any deviation could result in excessive temperature rise. If the minimum dimensions must be reduced, due to design constraints, a temperature rise test of all furniture fitted around the appliance must be performed. Where the minimum dimensions are reduced, it is recommended to install non-combustible material.



The surrounding surfaces must be able to withstand the allowable temperature rise of 65°C above ambient temperature, as specified in the EN30-1-1 standard and in accordance with the design of this unit.



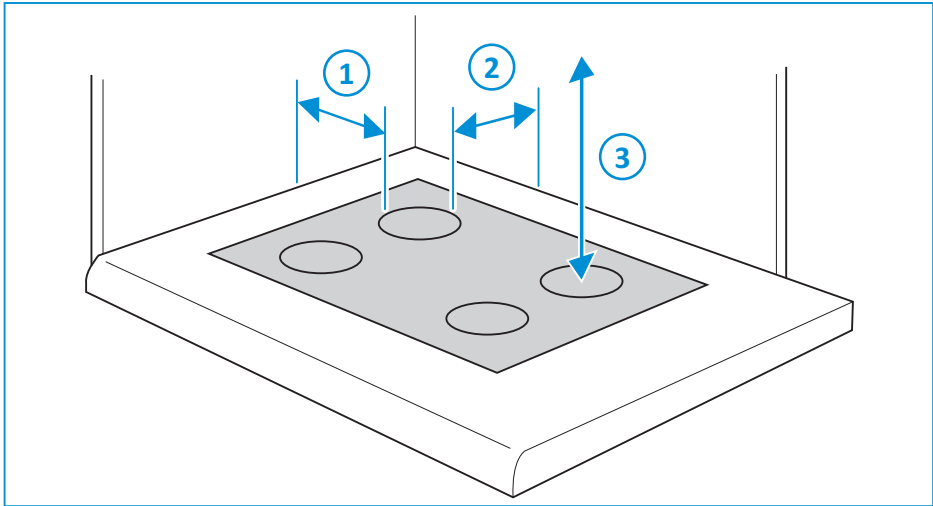
All combustible materials such as curtains and shelves must be kept well clear of the appliance.



The temperature of the surrounding surfaces may rise if there are other additional devices besides the appliance. Check the allowable temperature of the materials used

for the surrounding surfaces to ensure that they meet the requirements of EN30-1-1, EN1949, EN1645-1, EN1646-1, EN1647 and EN721.

- Maintain the minimum distances between the burners and side, rear and overhanging parts.

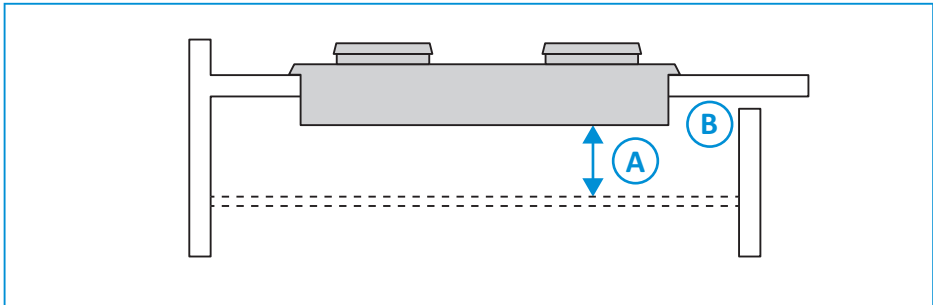


1. Distance between edge of the burner and the side: min. 200mm
2. Distance between edge of the burner and the rear: min. 200mm
3. Distance between burners and overhanging parts: min. 500mm



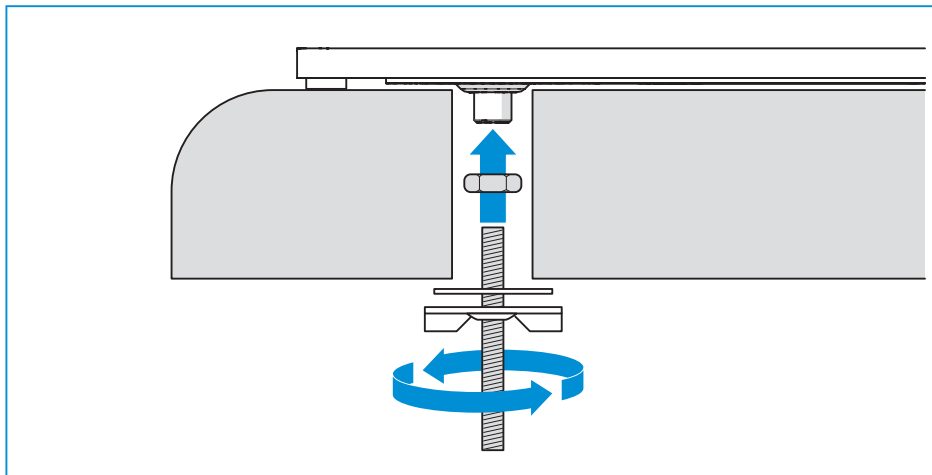
If you are unable to maintain these minimum distances, install fire-resistant material for protection.

- Provide an air gap of at least 30mm under the unit [A].
- Provide a ventilation gap of 8 x 100mm [B].



Maintain provision for the dispersal of unburnt gas beneath the appliance.

- Position the unit so it is centred and level in the cut-out. There must also be a gap of 2-3mm between the appliance and sides of the cut-out.
- Locate the threaded studs and nuts (x4).
- Position the nut on the stud at 4mm from the top.
- Screw the stud into the threaded fixing on the underside of hob.
- Lock the nut against the threaded fixing using a spanner. Do not over-tighten.
- Position the appliance in the worktop and attach the washer and wing nut to the stud.
- Check if the position of the hob in the worktop is correct and fasten the wing nut.
- Protect the underside of the appliance with a shield, made from non-combustible material, if the space below the hob is used for storage or another appliance.



## 7. Connecting gas

- Connect the gas to the 08mm gas inlet.
- Use only metal gas pipes in accordance with the requirements of EN1949. Please contact your dealer for more information.



Never use rubber tubing.



The burners have a fixed air/fuel mixture. When using propane, the flames burn quietly with a blue-green colour and no yellow at the tip. With butane, the flames have yellow tips. The yellow colour of the flames increases slightly as the burner heats up.

## 8. Connecting electricity




- Connect the power cord to a suitable mains supply via a switched wall mounted socket. The switched socket must be accessible after installation.

## 9. After installation

- Ensure that all packaging materials have been removed.
- Fix a warning label next to the unit that meets the requirements of EN721, Annex A.
- Fix a warning notice next to the gas dispersal hole, with the text: Warning! Under no circumstances should the gas dispersal hole be obstructed.
- Test all gas piping and connections and make sure they do not leak.
- Check the pressure of the gas when all connected gas appliances are in use simultaneously. The gas pressure may not rise or fall by more than 2.5mbar relative to the nominal value.

## 10. Technical specifications

**Table 1: Burner specifications**

	SHB9 series		
	Gas input		Injector
			
	kW	g/hr	mm
Gas burners	4 x 1.5	4 x 108	0.61
Total	6.0	432	

**Table 2: Dimensions and weight**

Dimensions	SHB9 series		
	H	W	D
mm	125	540	480
Appliance weight	10kg		
Spark ignition	240V ~ 50Hz		

**Table 3: Gas category**

Class 3 Appliance	
CAT I <sub>3+</sub> (28-30/37)	CAT I <sub>3</sub> B/P (30)
BUTANE (G30) 28 – 30mbar	BUTANE (G30) 30mbar
PROPANE (G31) 37mbar	PROPANE (G31) 30mbar




Use only the type of gas and the pressures specified.



## 11. Servicing

All servicing must be carried out by an approved competent person. Before any service work is started, the appliance should have been left to cool and be disconnected from both the gas and electrical supplies. After each service the appliance must be checked for gas soundness and electrical safety.

For service, please contact your authorised local Service Centre giving details of the model and serial number on the data badge plus date of purchase.

Model Name & Series Number			
G30 G31	CAT I <sub>3</sub> + (28-30/37) BUTANE 28-30mbar PROPANE 37mbar	CAT I <sub>3</sub> B/P(30) BUTANE 30mbar PROPANE 30mbar	<b>THETFORD</b>
ΣQn	Power kW (g/hr)	Model Number	Spark Ignition
CE	Pin Number	Serial Number	Voltage ~ 50 Hz
Country Codes 1		Country Codes 2	Power kW
			QC Pass      Order No

EN

## 12. Questions / customer service

- Visit [www.thetford-europe.com](http://www.thetford-europe.com).
- Contact Customer Service Thetford in your country. See the addresses on the back.

## EUROPEAN HEADQUARTERS

Thetford B.V.  
Nijverheidsweg 29  
P.O. Box 169  
4870 AD Etten-Leur  
The Netherlands

T +31 76 504 22 00  
F +31 76 504 23 00  
E [info@thetford.eu](mailto:info@thetford.eu)

## UNITED KINGDOM

Thetford Ltd.  
Unit 6  
Brookfields Way  
Manvers, Rotherham  
S63 5DL, England  
United Kingdom

T +44 844 997 1960  
F +44 844 997 1961  
E [info@thetford.eu](mailto:info@thetford.eu)

## GERMANY

Thetford GmbH  
Schallbruch 14  
D-42781 Haan  
Deutschland

T +49 2129 94250  
F +49 2129 942525  
E [info@thetford.eu](mailto:info@thetford.eu)

## FRANCE

Thetford S.A.R.L.  
Parc BURPLUS / Bâtiment 6  
18, Boulevard de la Paix  
95800 CERGY  
France

T +33 1 30 37 58 23  
F +33 1 30 37 97 67  
E [info@thetford.eu](mailto:info@thetford.eu)

## ITALY

Thetford Italy c/o Tecma s.r.l.  
Via Flaminia  
Loc. Castel delle Formiche  
05030 Otricoli (TR)  
Italia

T +39 0744 709071  
F +39 0744 719833  
E [info@thetford.eu](mailto:info@thetford.eu)

## SPAIN AND PORTUGAL

Mercè Grau Solà  
Agente para España y Portugal  
c/ Castellet, 36 bxs 2ª  
08800 Vilanova i la Geltrú  
Barcelona  
España

T +34 938 154 389  
F not available  
E [info@thetford.eu](mailto:info@thetford.eu)

## SCANDINAVIA

Thetford B.V.  
Representative Office Scandinavia  
Hantverkaregatan 32D  
521 61 Stenstorp  
Sverige

T +46 31 336 35 80  
F +46 31 44 85 70  
E [info@thetford.eu](mailto:info@thetford.eu)

## AUSTRALIA

Thetford Australia Pty. Ltd.  
41 Lara Way  
Campbellfield VIC 3061  
Australia

T +61 3 9358 0700  
F +61 3 9357 7060  
E [infoau@thetford.eu](mailto:infoau@thetford.eu)  
[www.thetford.com.au](http://www.thetford.com.au)

## CHINA

Thetford China  
Rm. 1207, Coastal Building  
(East Block)  
Haide 3rd Road, Nanshan District  
Shenzen, 518054  
China

T +86 755 8627 1393  
F +86 755 8627 1673  
E [info@thetford.cn](mailto:info@thetford.cn)  
[www.thetford.cn](http://www.thetford.cn)