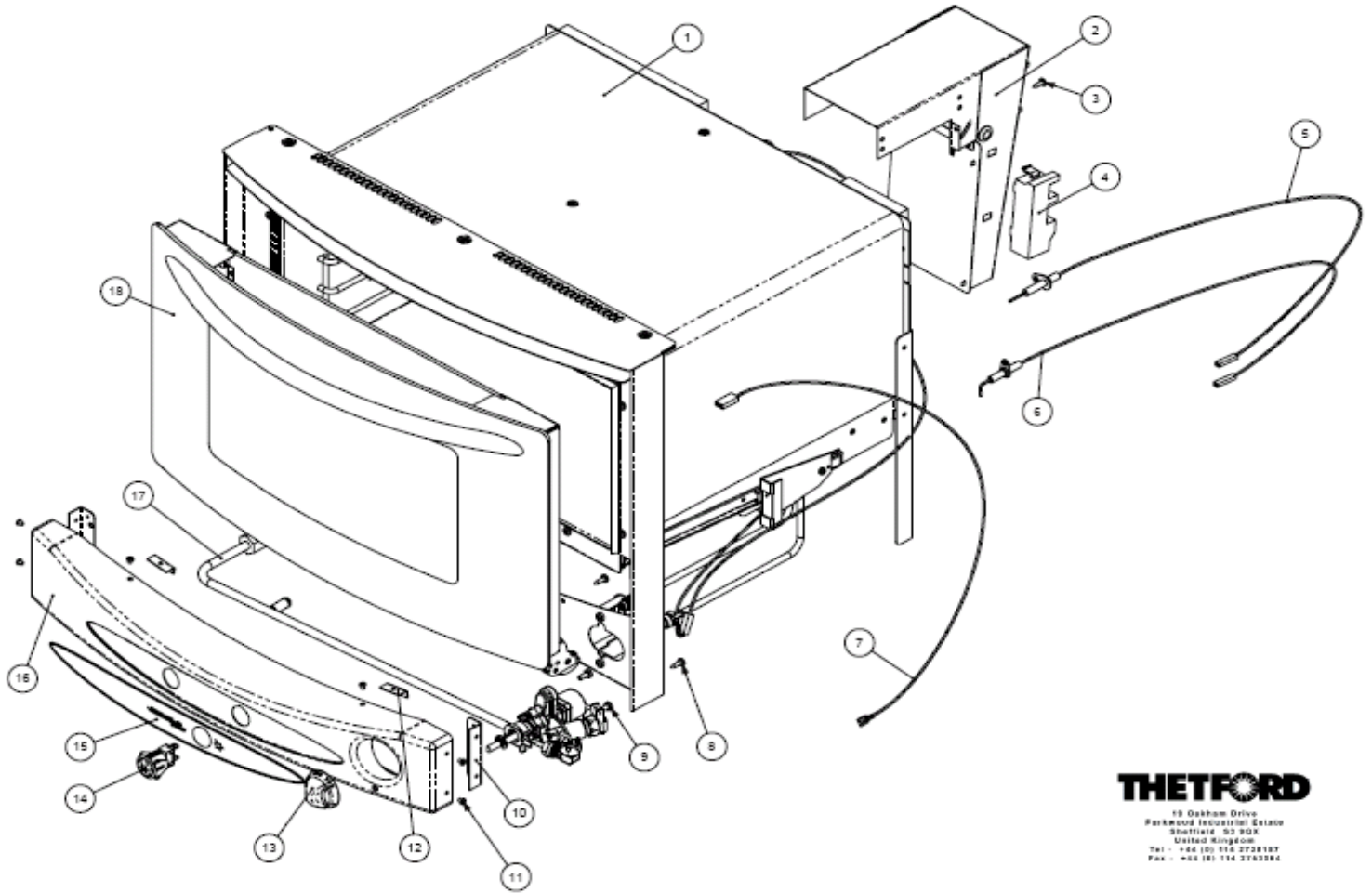


# SOG72000 DUPLEX SD - EXPLODED DRAWING



**THETFORD**

15 Oxbow Drive  
PARKWOOD INDUSTRIAL ESTATE  
SHUTTLEFORTH ROAD  
UNITED KINGDOM  
Tel: +44 (0) 116 278187  
Fax: +44 (0) 116 274284

**SOG72000 DUPLEX SD**

DRW No.	PART CODE	DESCRIPTION	MODELS		
			72900	72900Z	72902
1	SPCO0561	Insulation, oven body	X	X	X
4	SPCC1392	Generator, spark 12v	X	X	X
5	SPCC1421	Electrode, spark 650mm s/fix (oven)	X	X	X
6	SPCC1430	Electrode, spark 650mm s/fix (oven)	X	X	X
7	SPCC1094	Extension Lead, cut out - tap, faston, 1150mm	X	X	X
9	SPCO0470	Tap, Thermo+grill	X	X	X
13	SPCC0608.BK	Knob, oven/grill 180o rotated, continental BK	X	X	X
14	SPCC1376	Switch, momentary, micro	X	X	X
15	♦ SPCC1709	Fascia, self adhesive, tower unit	X	X	X
16	SMCO4050.BK	Curved Fascia, painted black	X	X	X
17	SMAC5458	Tap/Manifold, tower unit OGF Sab Rear	X	Z	X
18	SMAO3540.BK	Oven Door, curved, BK BKHC	X	X	X
18	♦ SPCO0313.BK	Handle, curved ellipse 390crs BK	X	X	X
18	♦ SG1020	Glass, Inner, oven/grill	X	X	X
	SPCO0271	Support, Shelf, 3 position, 35mm	X	X	X
	♦ SPCX0184	Washer, Starlock 5mm	X	X	X
	SMAC0056	Grill Assy, 2005, no hood	X	X	X
	SPCO0562	Insulation, oven back	X	X	X
	SPCC1129	Thermocouple, grill, faston, piggyback, 740mm	X	X	X
	SPCC1119	Thermocouple, oven, faston, 1000mm	X	X	X
	SMAO0064	Oven Burner Assembly	X	X	X
	SPCC0773	Jet, No. 59 (oven)	X		X
	SPCC0770	Jet, No. 65 (oven - Aus)		X	
	SPCC0775	Jet, No. 62 (grill)	X	X	X
	SMCO4060.BK	Trim, full front, painted black	X	X	X
	SMCO4065.BK	Trim, top front, painted black	X	X	X
	SPCO0973	Cut out, Thermal, Normally open (53/70)	X	X	X
	SPCO0974	Cut out, Thermal, Normally closed (130/113)	X	X	X
	SPCO0252	Seal, oven door, tower unit	X	X	X
	SPCC0965	Fan, 80mm, 12v	X	X	X
	SPCC1375	Switch, push button, micro (for light)			X
	SPCO0297	Shelf, oven/grill (SA oven)	X	X	X
	SINS1002	Instructions, user+installation	X	X	X
	SMAC0066	Grill Pan - Long, Detach	X	X	X
	SPCC1186	Handle, Detachable grill pan	X	X	X
	SPCC1195	Trivet, grill pan	X	X	X