


SHB168xx

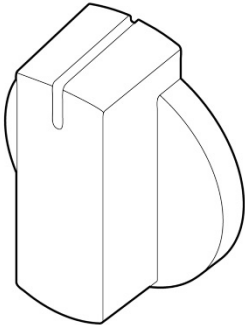
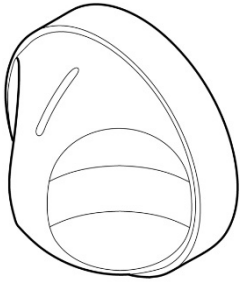
| | | Spare part number | Colours available |
|----|---|------------------------|-------------------|
| 1 | Glass lid | <i>Refer to page 3</i> | |
| 2 | Hinges set | SSPA0010 | |
| 2A | Lid Shut-off switch (1x) | SSPA0611 | |
| 3 | Pan support medium | SSPA0965 | |
| 4 | Pan support large | SSPA0953 | |
| 5 | Burner assembly large / rapid | | |
| | Production date < 16/03/2015 (E075S...) | SSPA0120 | |
| | Production date ≥ 16/03/2015 (E075S...) | SSPA0124 | |
| 6 | Burner assembly medium / semi-rapid | | |
| | Production date < 16/03/2015 (E075S...) | SSPA0111 | |
| | Production date ≥ 16/03/2015 (E075S...) | SSPA0110 | |
| 7 | Bump stop set | SSPA0040 | |
| 8 | Worktop fixing kit | SSPA0021 | |
| 9 | Control knobs | <i>Refer to page 3</i> | |
| 10 | Ignition switch and wire harness set | | |
| | Production date < 16/03/2015 (E075S...) | No longer available | |
| | Production date ≥ 16/03/2015 (E075S...) | SSPA0332 | |
| 11 | Gas tap burner | | |
| | Production date < 16/03/2015 (E075S...) | SSPA0428 | |
| | Production date ≥ 16/03/2015 (E075S...) | SSPA0426 | |
| 12 | Spark electrodes set | | |
| | Production date < 16/03/2015 (E075S...) | SSPA0310 | |
| | Production date ≥ 16/03/2015 (E075S...) | SSPA0320 | |
| 13 | Thermocouple | | |
| | Production date < 16/03/2015 (E075S...) | | |
| | Left | SSPA0676 | |
| | Centre | SSPA0675 | |
| | Right | SSPA0675 | |
| | Production date ≥ 16/03/2015 (E075S...) | | |
| | Left | SSPA0682 | |
| | Centre | SSPA0680 | |
| | Right | SSPA0680 | |
| 14 | Spark generator | SSPA0300 | |

~~xxxxxx~~ = not available anymore

Glass lid

| Spare part number | Colours available | |
|-------------------|-------------------------------|---|
| SSPA1731 | Smoked black clear |  |

Control knobs

| | | |
|--------------------------|--|--|
| |  |  |
| Spare part number | SSPA0911 | SSPA0920 |
| Colours available | Matt Nickel (.MNK) Black (.BK) Chrome (.CR) | Black (.BK) |
| Set quantity | 3 | 3 |

~~xxxxx~~ = not available anymore